

[54] RADIATOR GRILL FOR AUTOMOBILE

[75] Inventor: Hiroshi Yamamoto, Yokohama, Japan

[73] Assignee: Mazda Motor Corporation, Hiroshima, Japan

[\*\*] Term: 14 Years

[21] Appl. No.: 187,399

[22] Filed: Apr. 28, 1988

[52] U.S. Cl. .... D12/163

[58] Field of Search ..... D12/163; 180/68.6

[56] References Cited

U.S. PATENT DOCUMENTS

- D. 288,085 2/1987 Nagano ..... D12/163
- D. 293,230 12/1987 Kawaoka ..... D12/163

OTHER PUBLICATIONS

Motor Trend, 11/87, p. 69, Front Grille of Mazda MX-6 GT, bottom left side of page.

Primary Examiner—James M. Gandy  
Attorney, Agent, or Firm—Fleit, Jacobson, Cohn, Price, Holman & Stern

[57] CLAIM

The ornamental design for a radiator grill for automobile, as shown.

DESCRIPTION

FIG. 1 is a front perspective view of the radiator grill for automobile embodying my ornamental design; FIG. 2 is a front elevational view thereof; FIG. 3 is a rear elevational view thereof; FIG. 4 is a top plan view thereof; FIG. 5 is a bottom plan view thereof; FIG. 6 is a right side elevational view thereof; and FIG. 7 is a left side elevational view thereof.

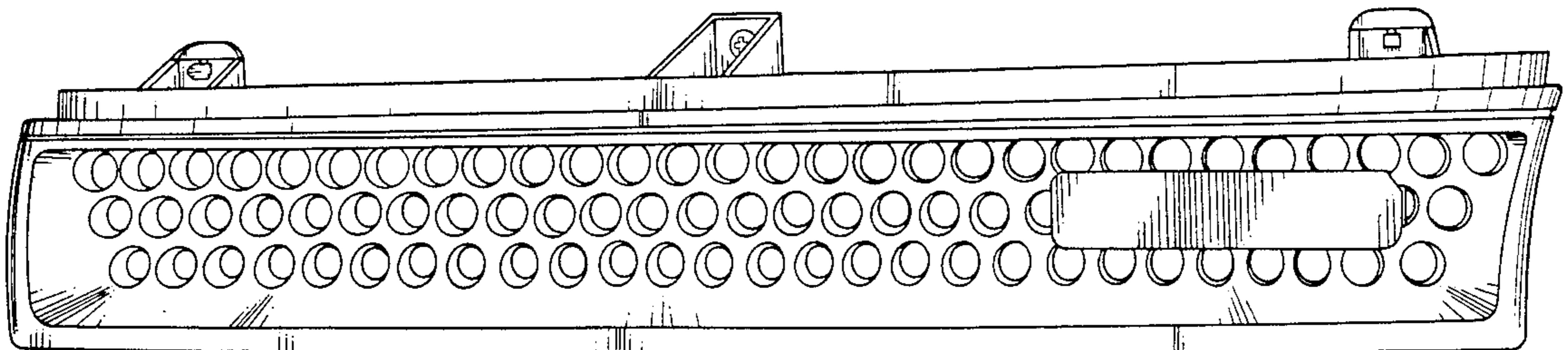


FIG. 1

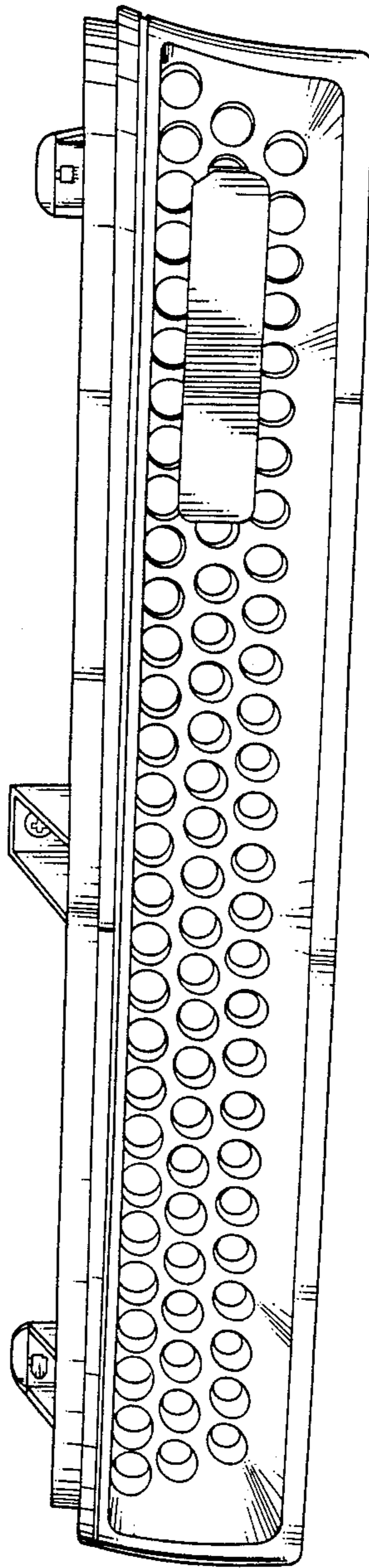


FIG. 2

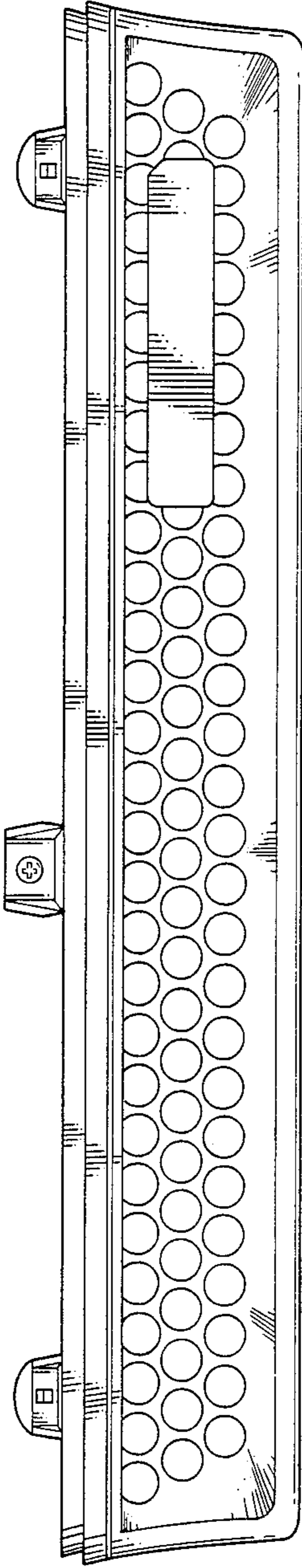


FIG. 3

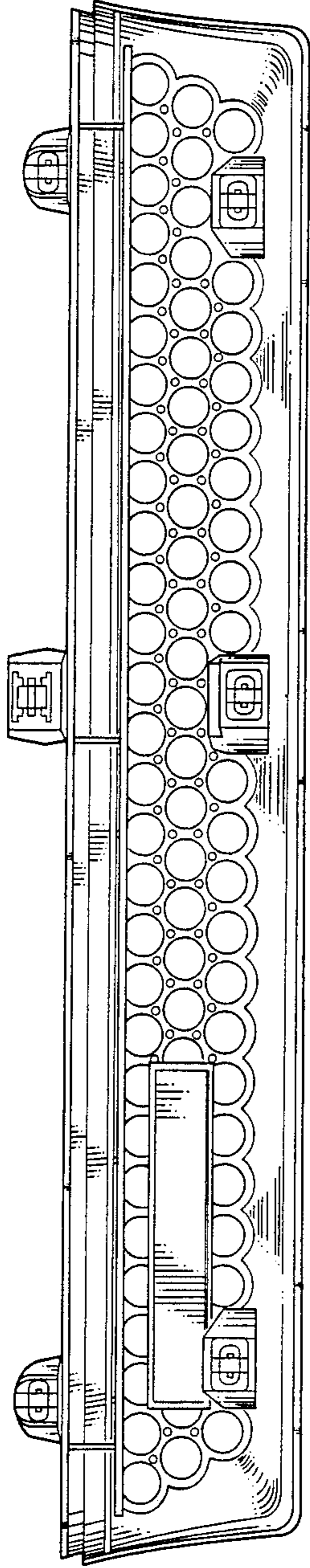


FIG. 4

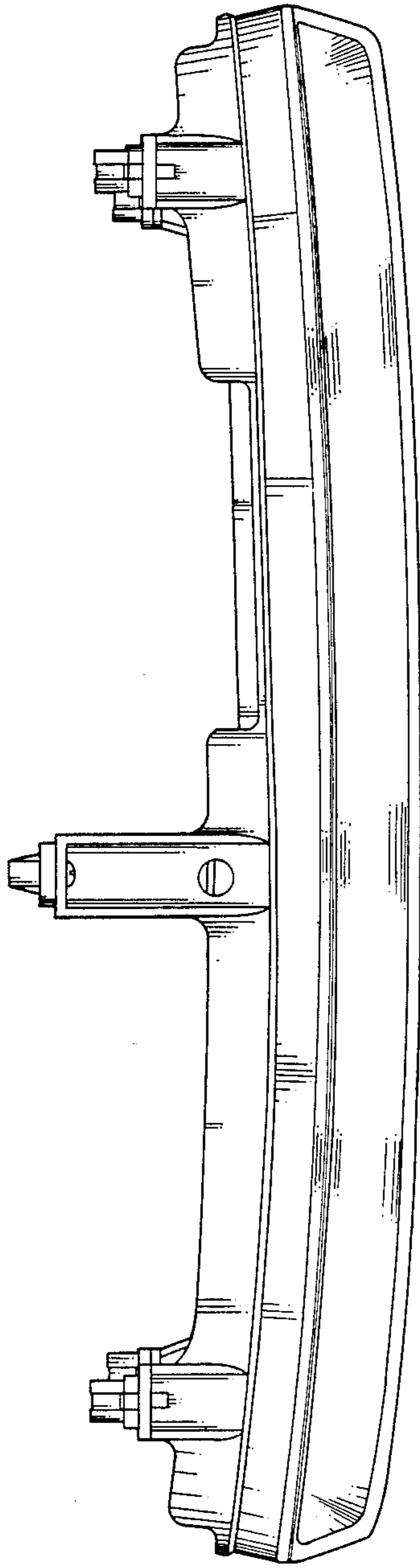


FIG. 5

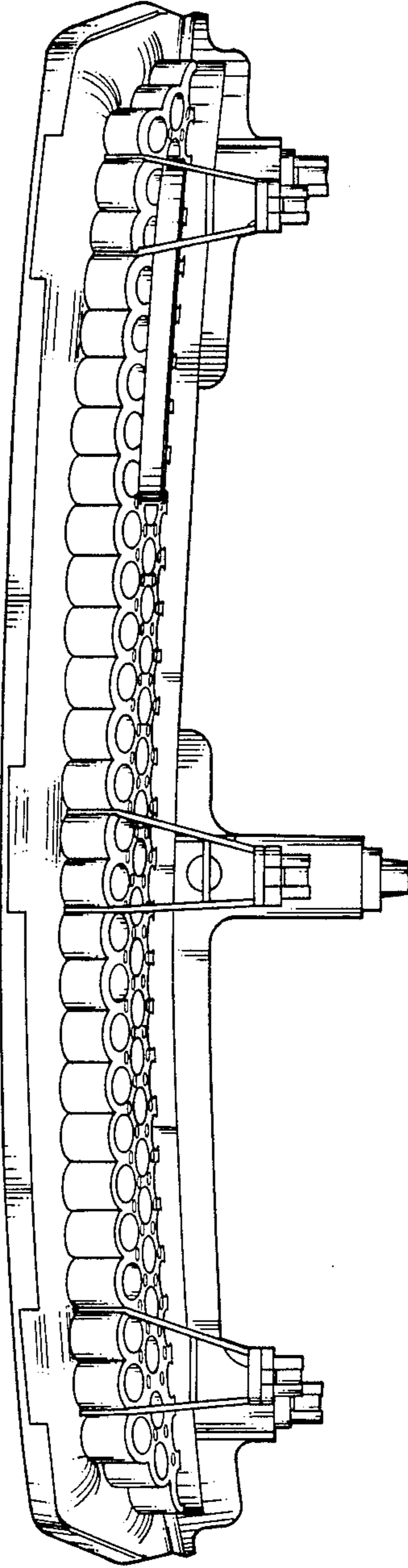


FIG. 7

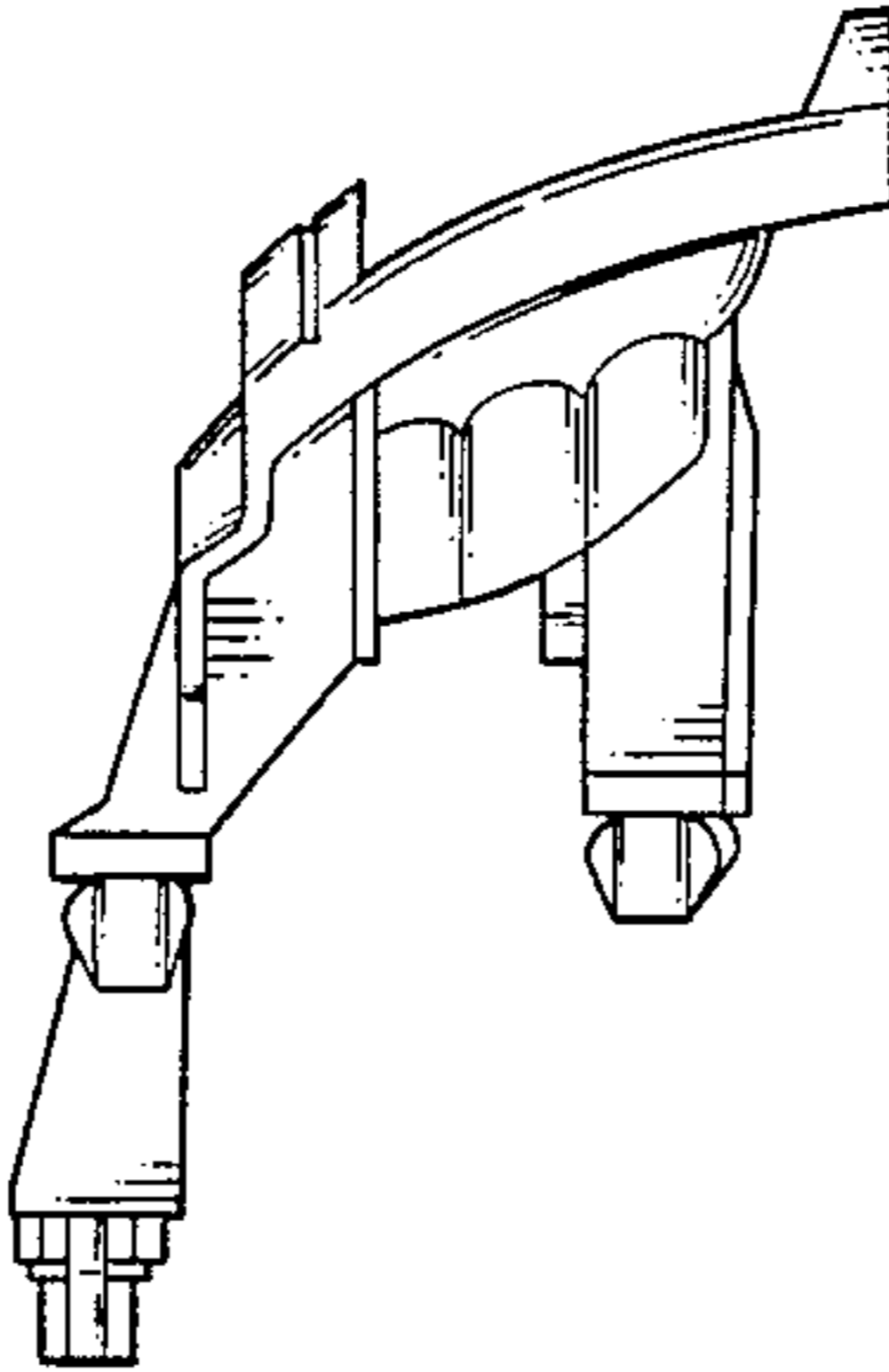


FIG. 6

