

[54] CARRIAGE FOR CHILDREN

[75] Inventor: Ray G. Kelly, Kirkwood, Mo.

[73] Assignee: Angeles Nursery Toys, Inc., Pacific, Mo.

[**] Term: 14 Years

[21] Appl. No.: 291,994

[22] Filed: Dec. 30, 1988

[52] U.S. Cl. D12/129

[58] Field of Search D12/128, 130, 129;
280/642, 650, 658, 47.4, 647, 643, 644

[56] References Cited

U.S. PATENT DOCUMENTS

D. 152,045	12/1948	Vibber	D12/130
D. 155,785	11/1949	Davis	D12/129
D. 162,249	3/1951	Trimble	D12/129
2,420,088	5/1947	Milburn	D12/129
2,426,432	8/1947	Breckner et al.	D12/129
4,089,543	5/1978	Osborne	D12/128

Primary Examiner—Kay H. Chin

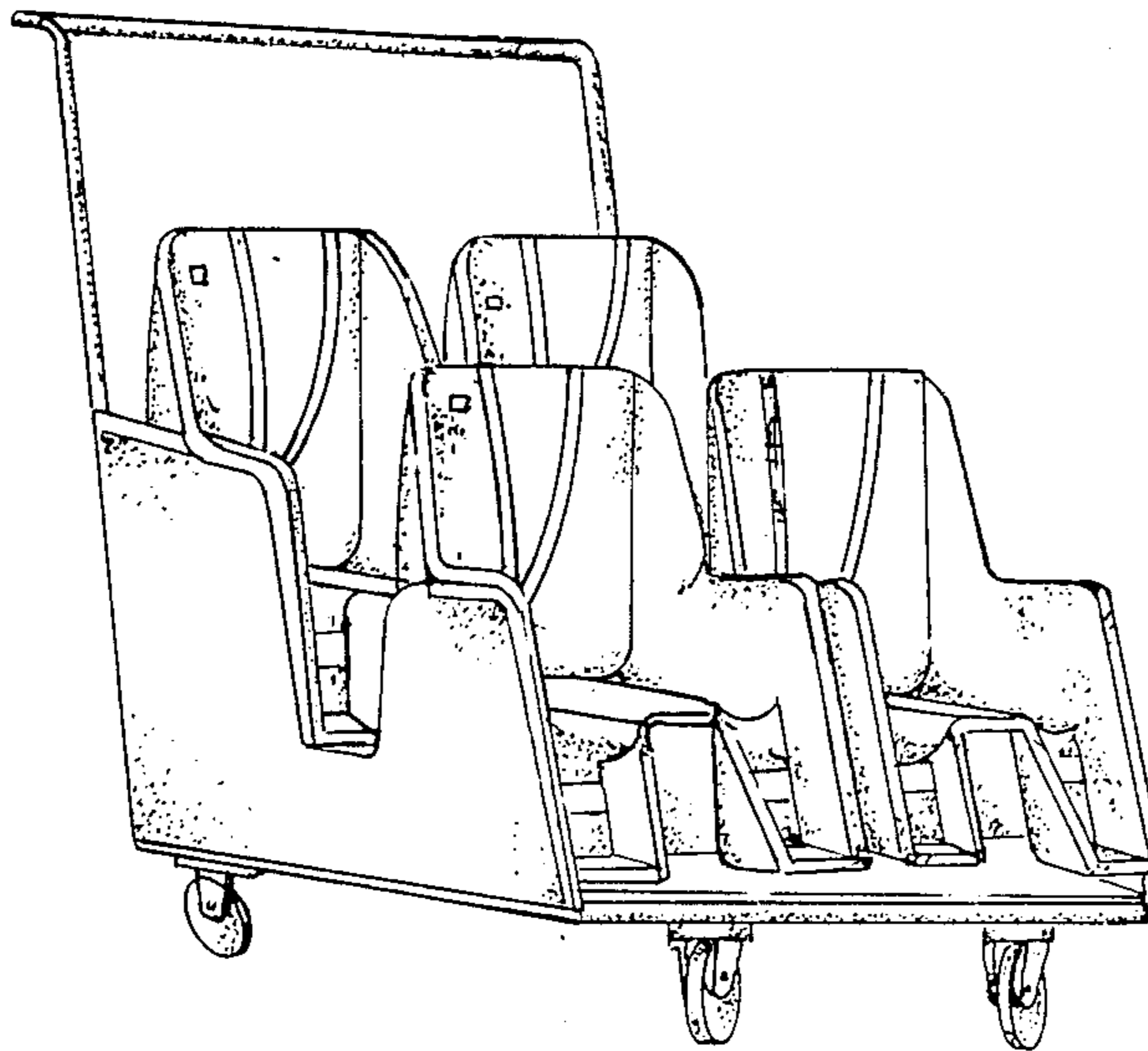
Attorney, Agent, or Firm—Paul M. Denk

[57] CLAIM

The ornamental design for a carriage for children, as shown and described.

DESCRIPTION

FIG. 1 is a perspective view of a carriage for children showing my new design;
FIG. 2 is a top plan view thereof;
FIG. 3 is a left side elevational view thereof, the right side view being a mirror image of that shown;
FIG. 4 is a rear elevational view thereof;
FIG. 5 is a front elevational view thereof;
FIG. 6 is a bottom plan view thereof;
FIG. 7 is a top plan view of a second embodiment of the carriage for children;
FIG. 8 is a bottom plan view of FIG. 7;
FIG. 9 is a left side elevational view of FIG. 7, the right side view being a mirror image of that shown;
FIG. 10 is a rear elevational view of FIG. 7;
FIG. 11 is a front elevational view of FIG. 7; and
FIG. 12 is a perspective view of FIG. 7.



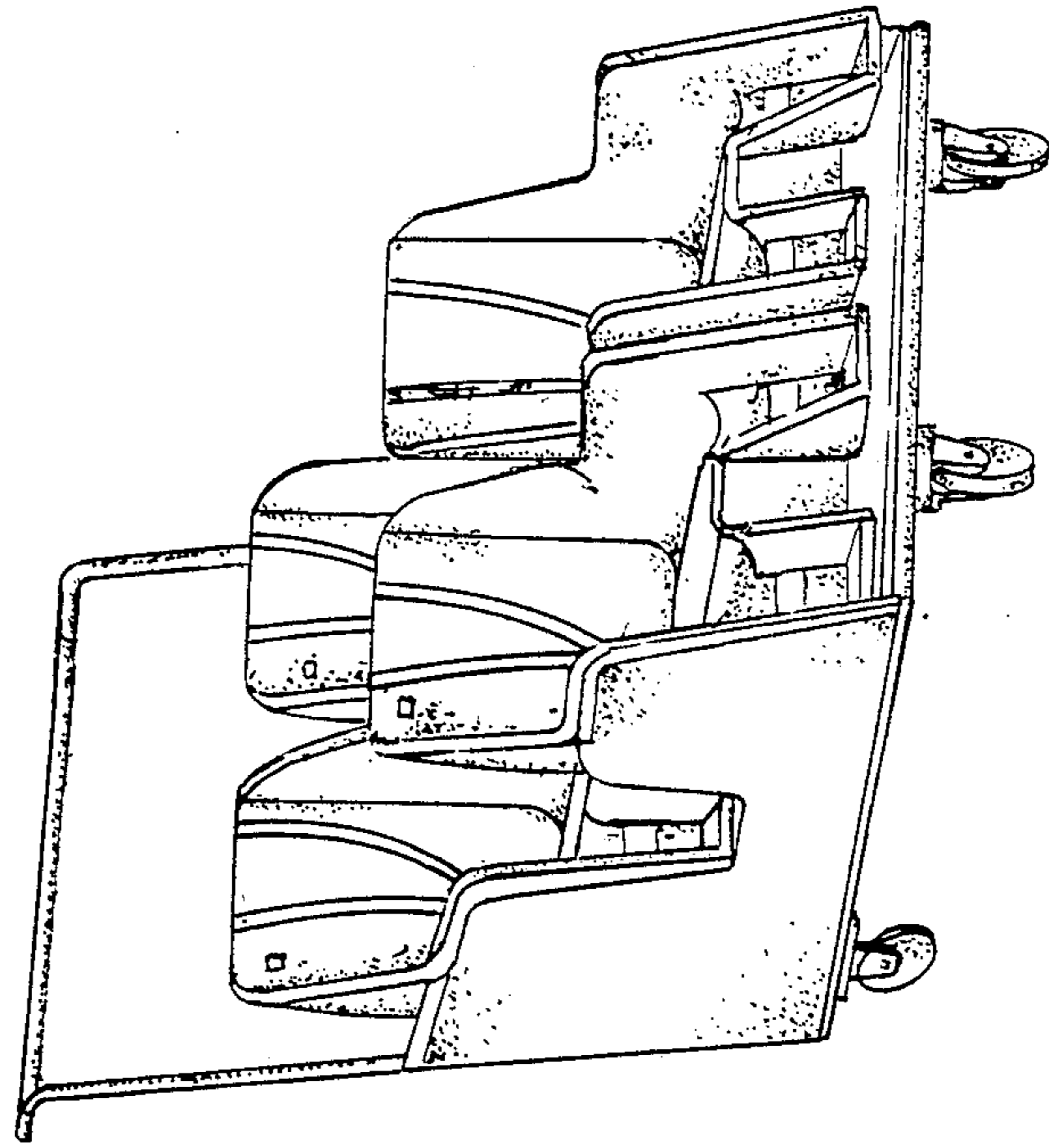


FIG. 1.

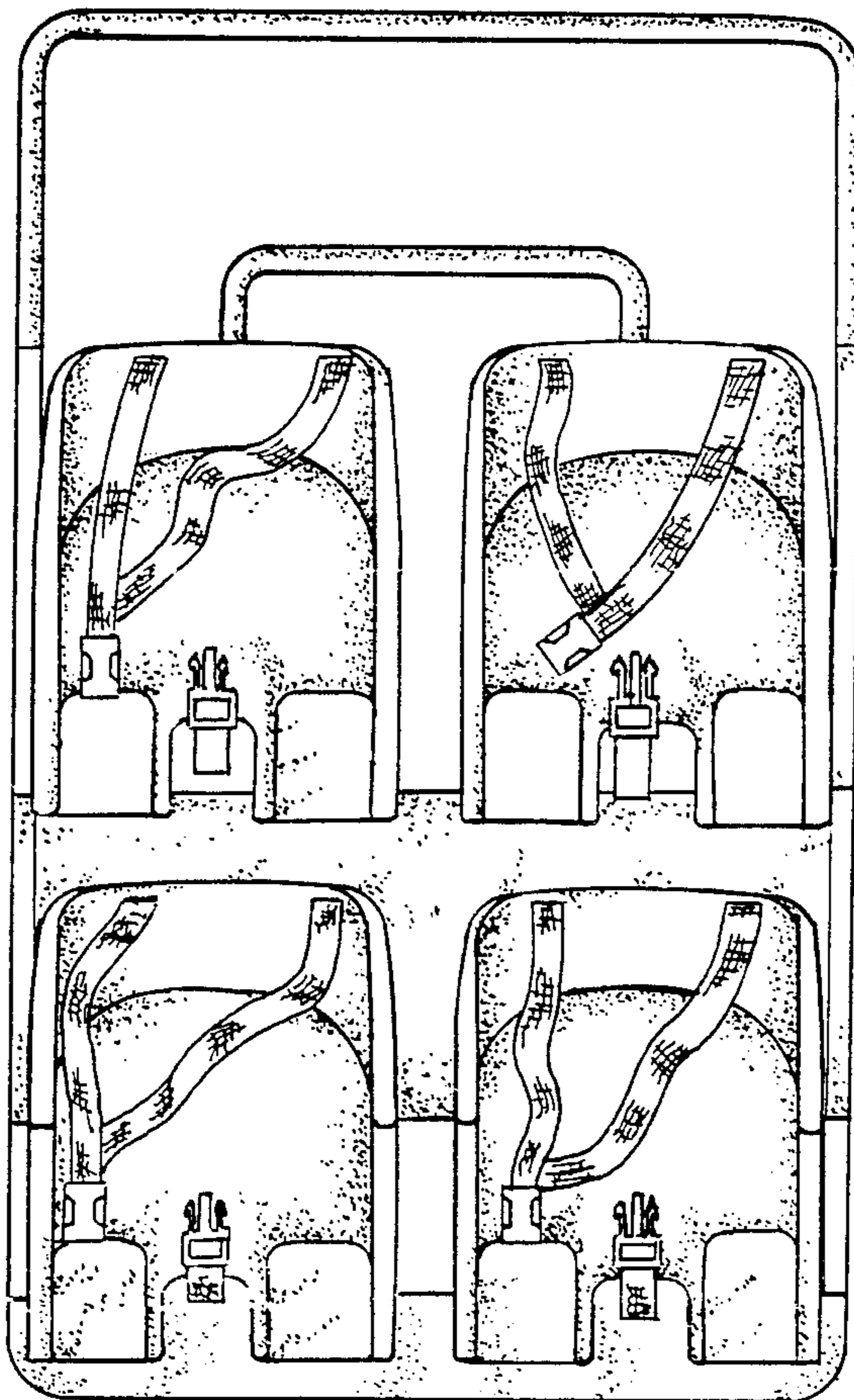


FIG. 2.

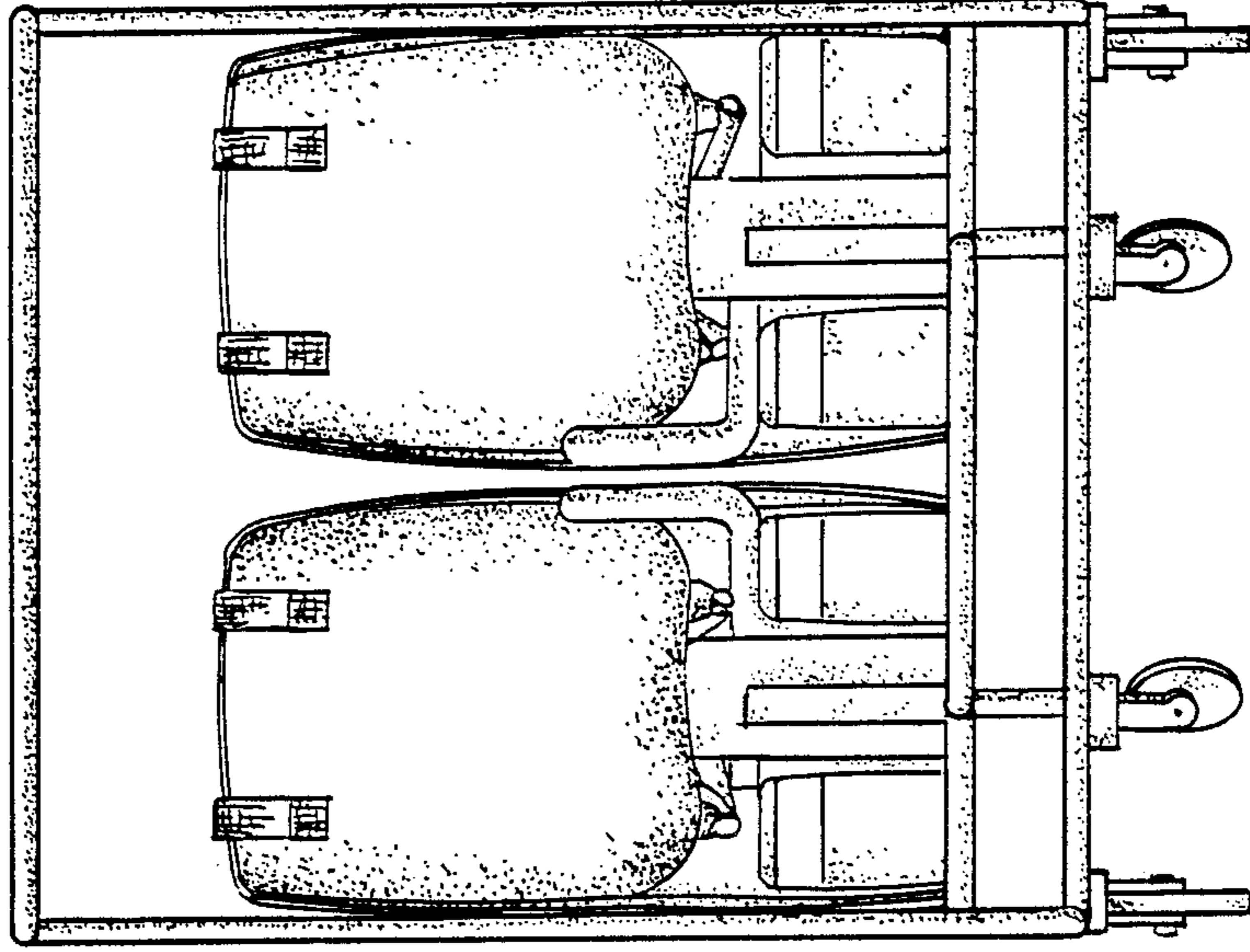


FIG. 4.

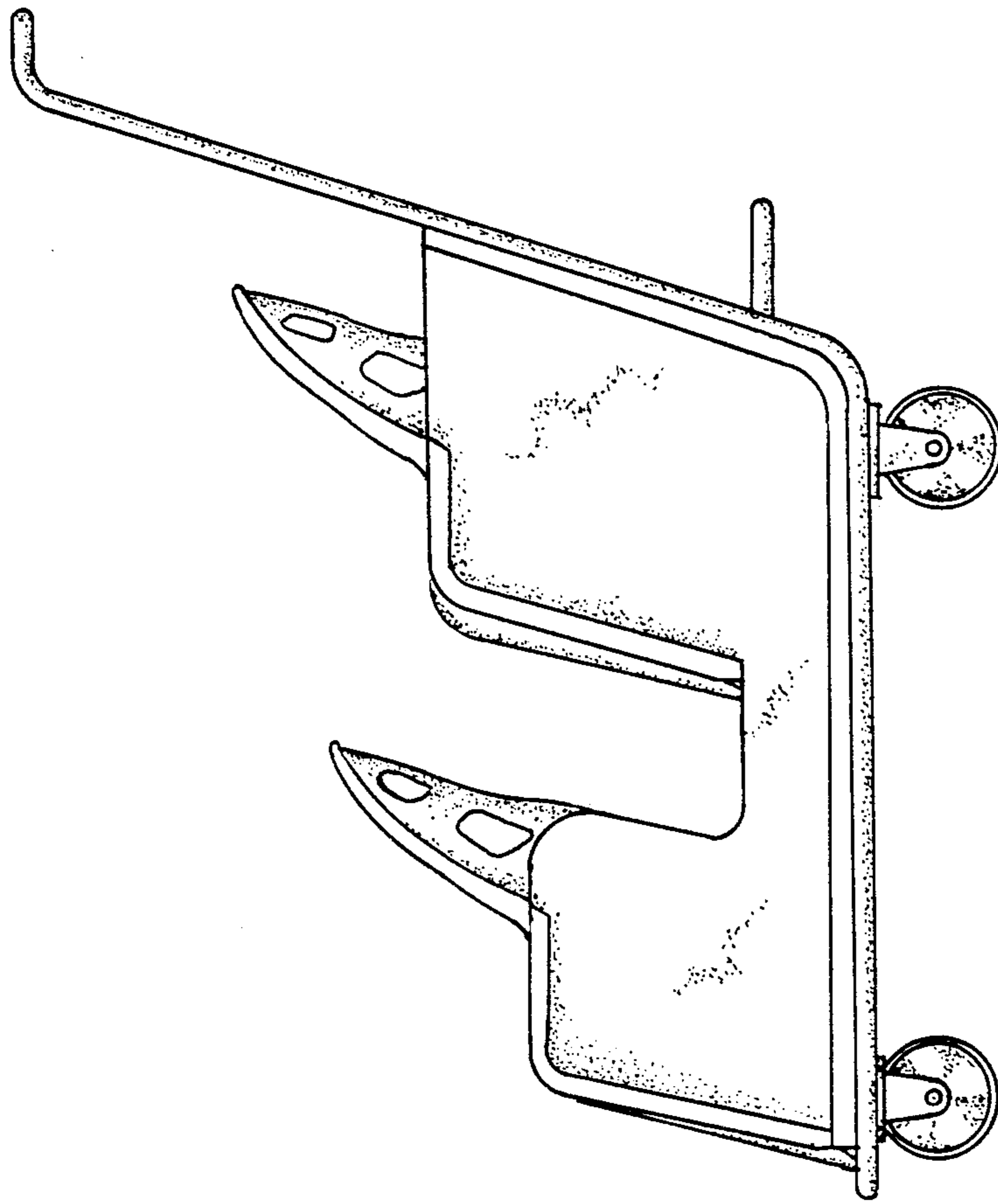


FIG. 3.

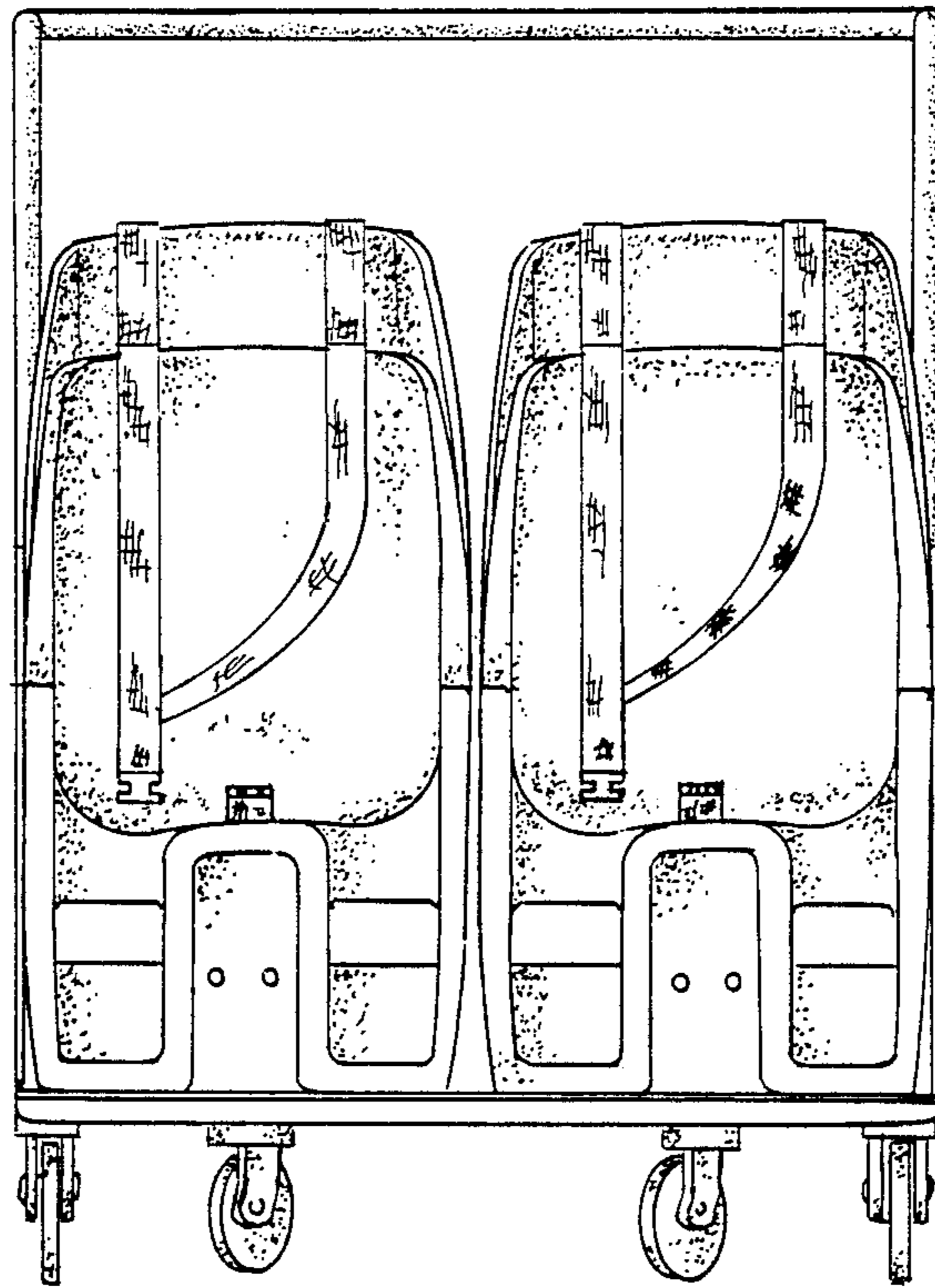


FIG. 5.

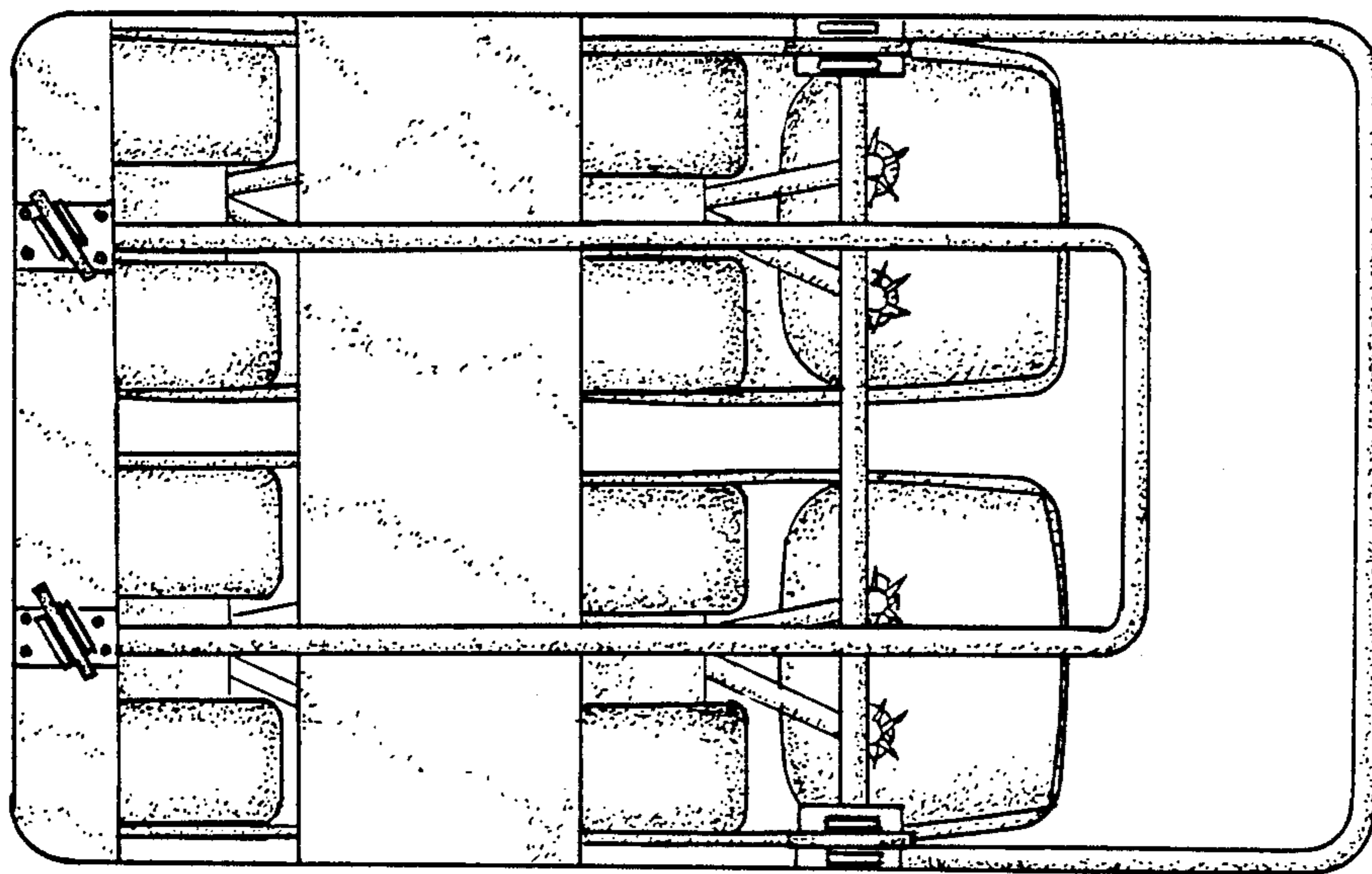


FIG. 6.

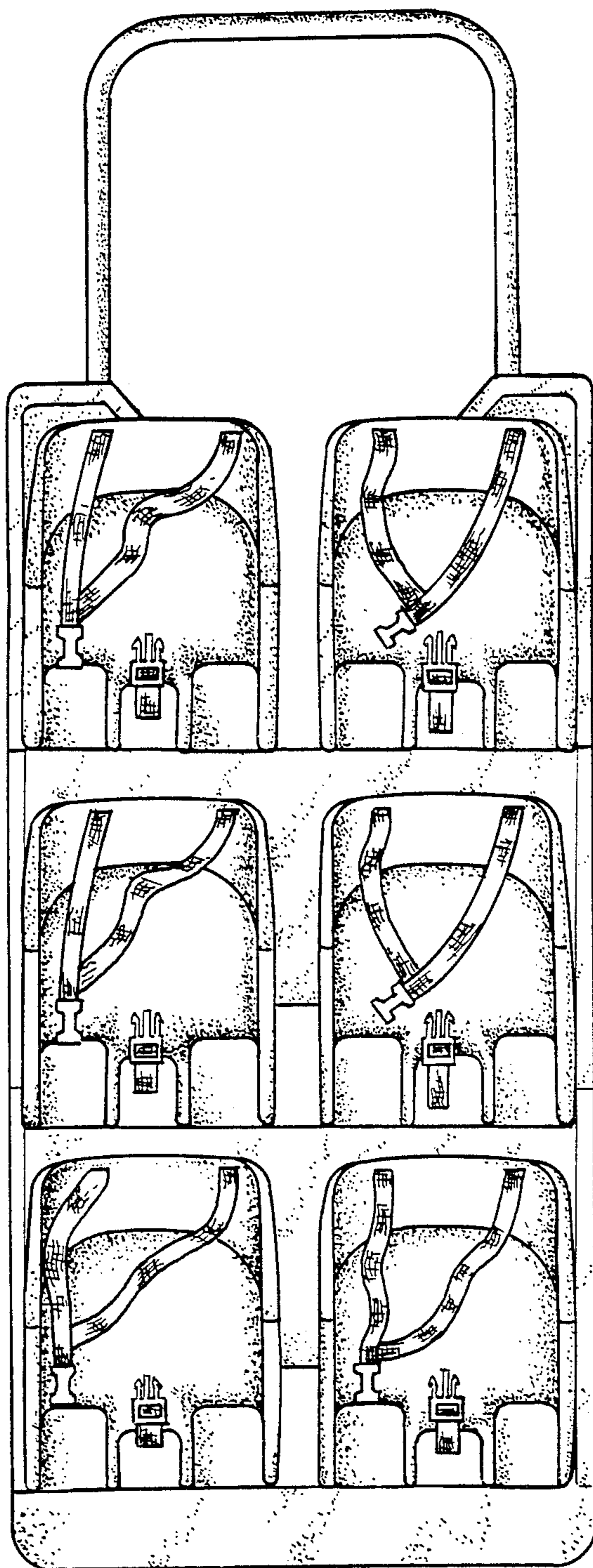


FIG. 7.

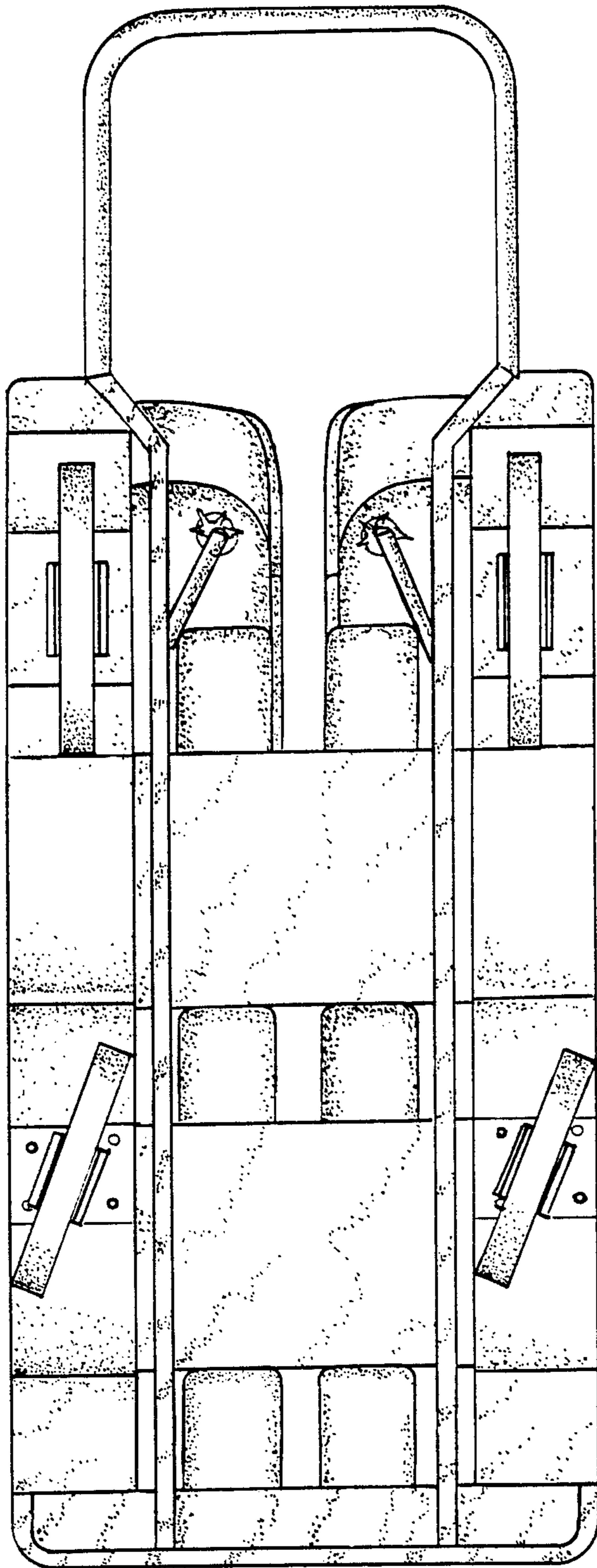


FIG. 8.

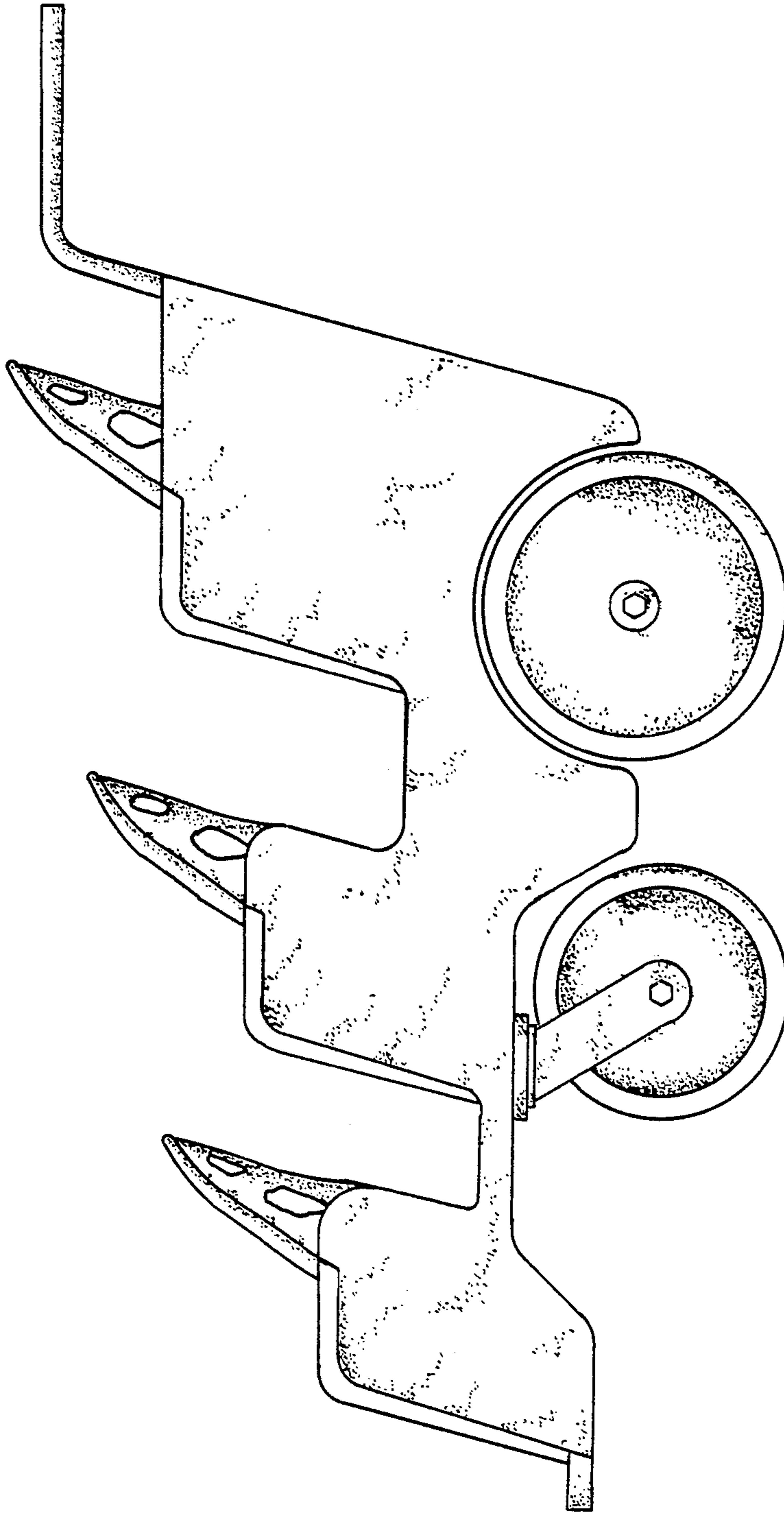


FIG. 9.

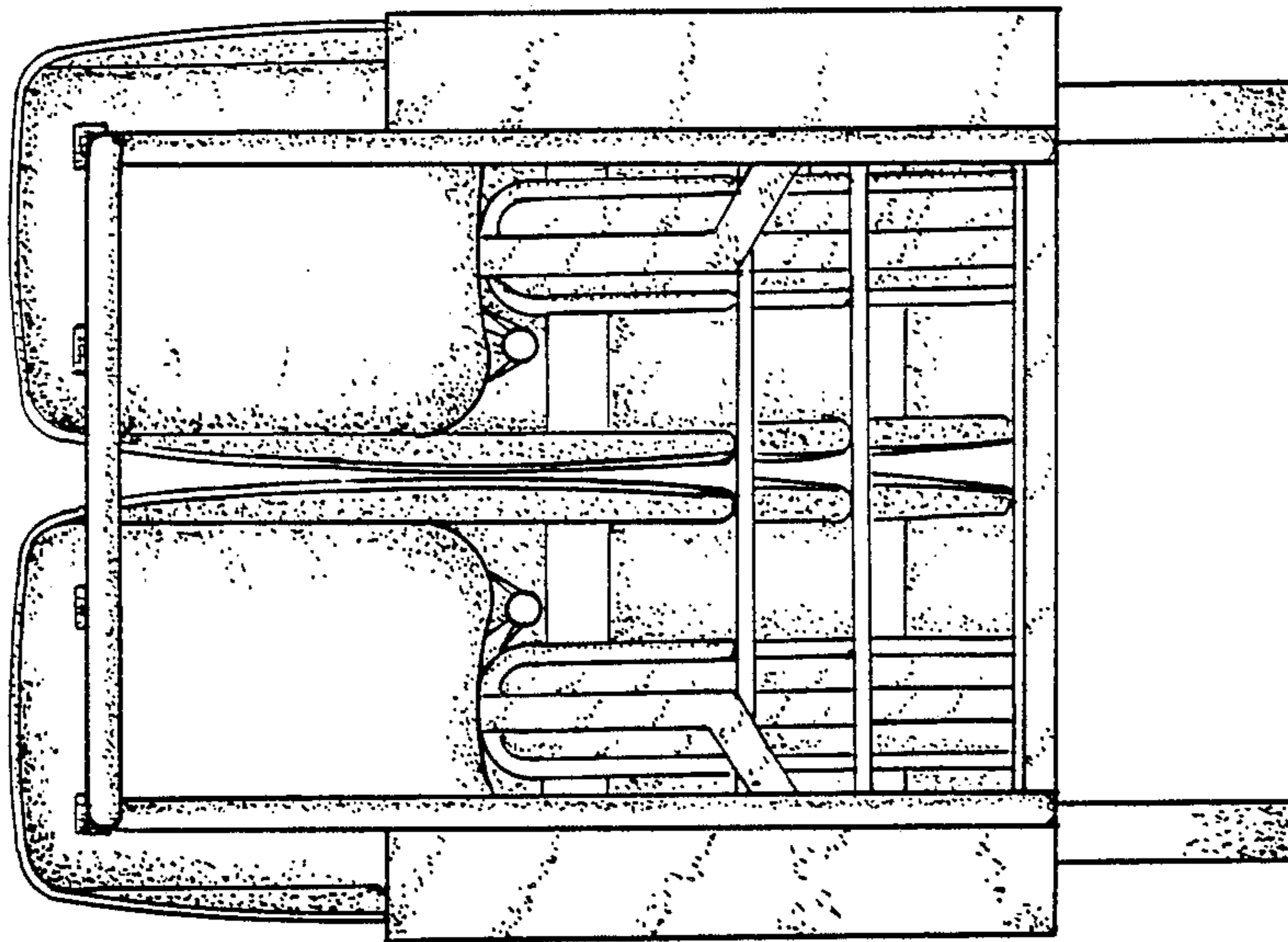


FIG. 10.

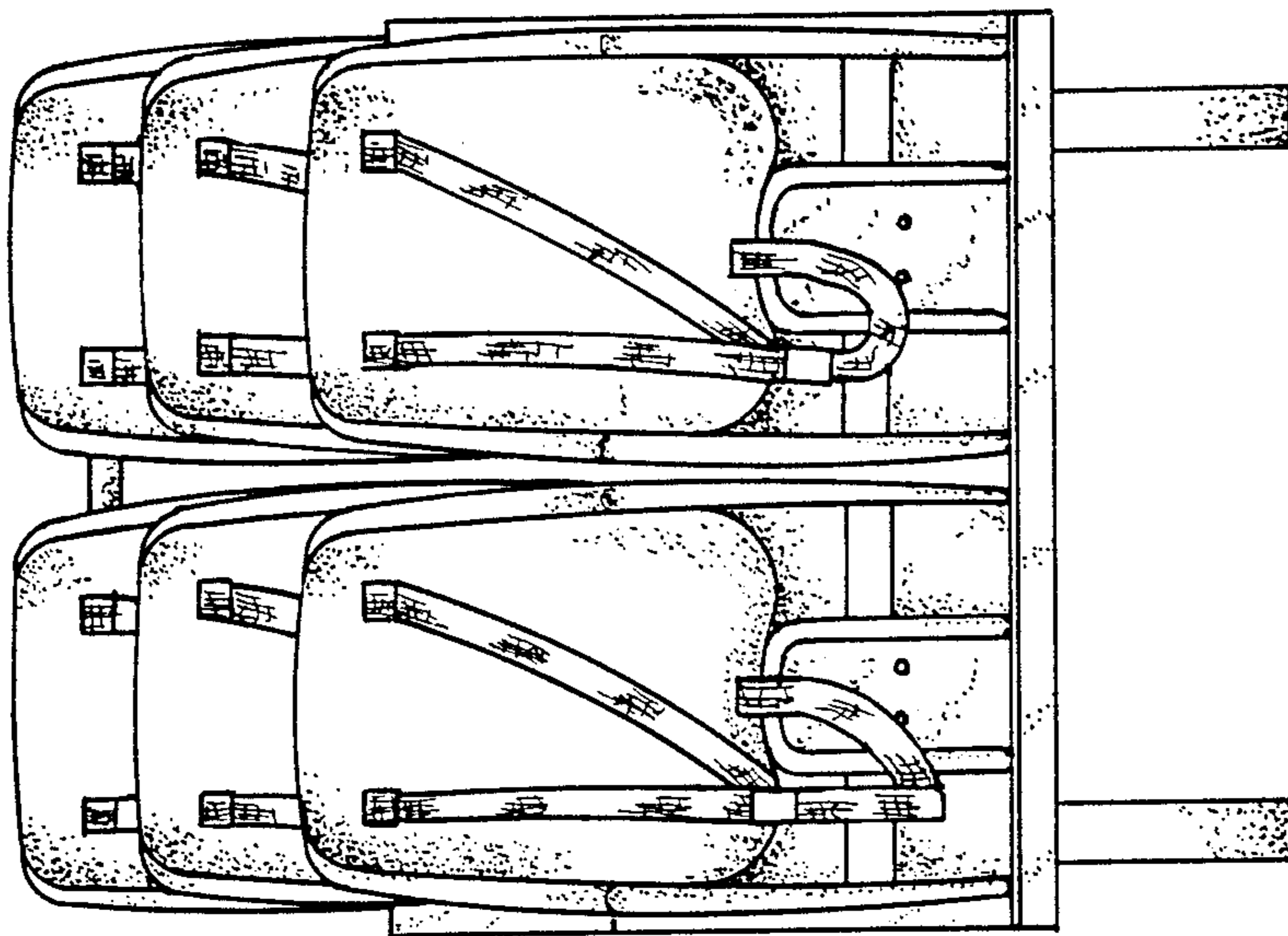


FIG. 11.

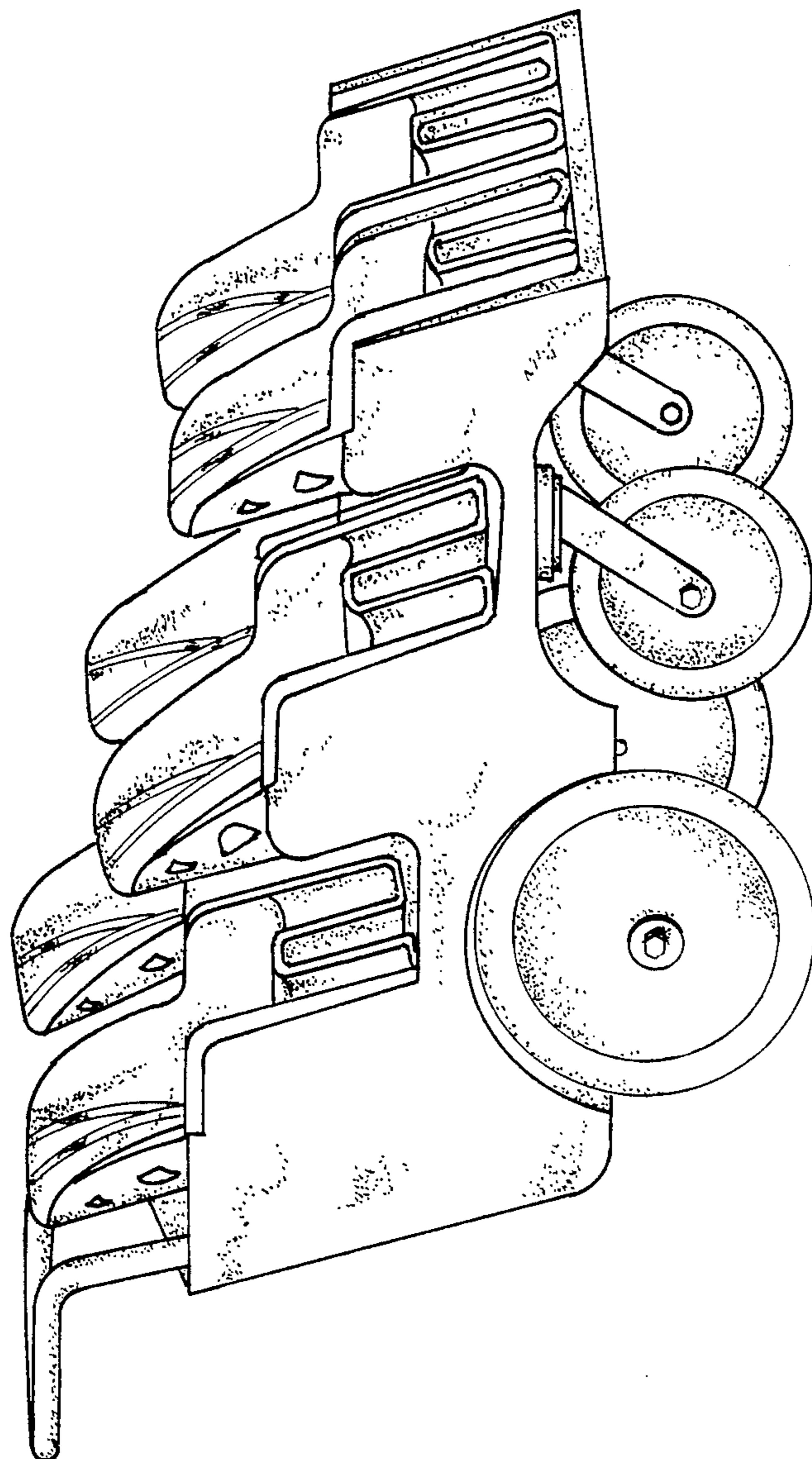


FIG.12.