

# United States Patent [19]

Batthey

[11] Patent Number: Des. 312,426

[45] Date of Patent: \*\* Nov. 27, 1990

[54] TURKEY CALL

[76] Inventor: Michael L. Batthey, 6526 Springfield Dr., Charlotte, N.C. 28212

[\*\*] Term: 14 Years

[21] Appl. No.: 258,976

[22] Filed: Oct. 17, 1988

[52] U.S. Cl. .... D10/116

[58] Field of Search ..... D10/116, 119, 120; 446/209, 207, 178, 179, 180, 181, 189

[56] References Cited

U.S. PATENT DOCUMENTS

D. 296,880 7/1988 Morocco ..... D10/119

2,175,006 10/1939 Jilson ..... 446/209  
2,763,960 9/1956 Wintriss ..... 446/207  
3,407,523 10/1968 Winston ..... 40/1.5  
4,897,067 1/1990 Piper ..... 446/207

Primary Examiner—Wallace R. Burke

Assistant Examiner—Marcus Jackson

[57] CLAIM

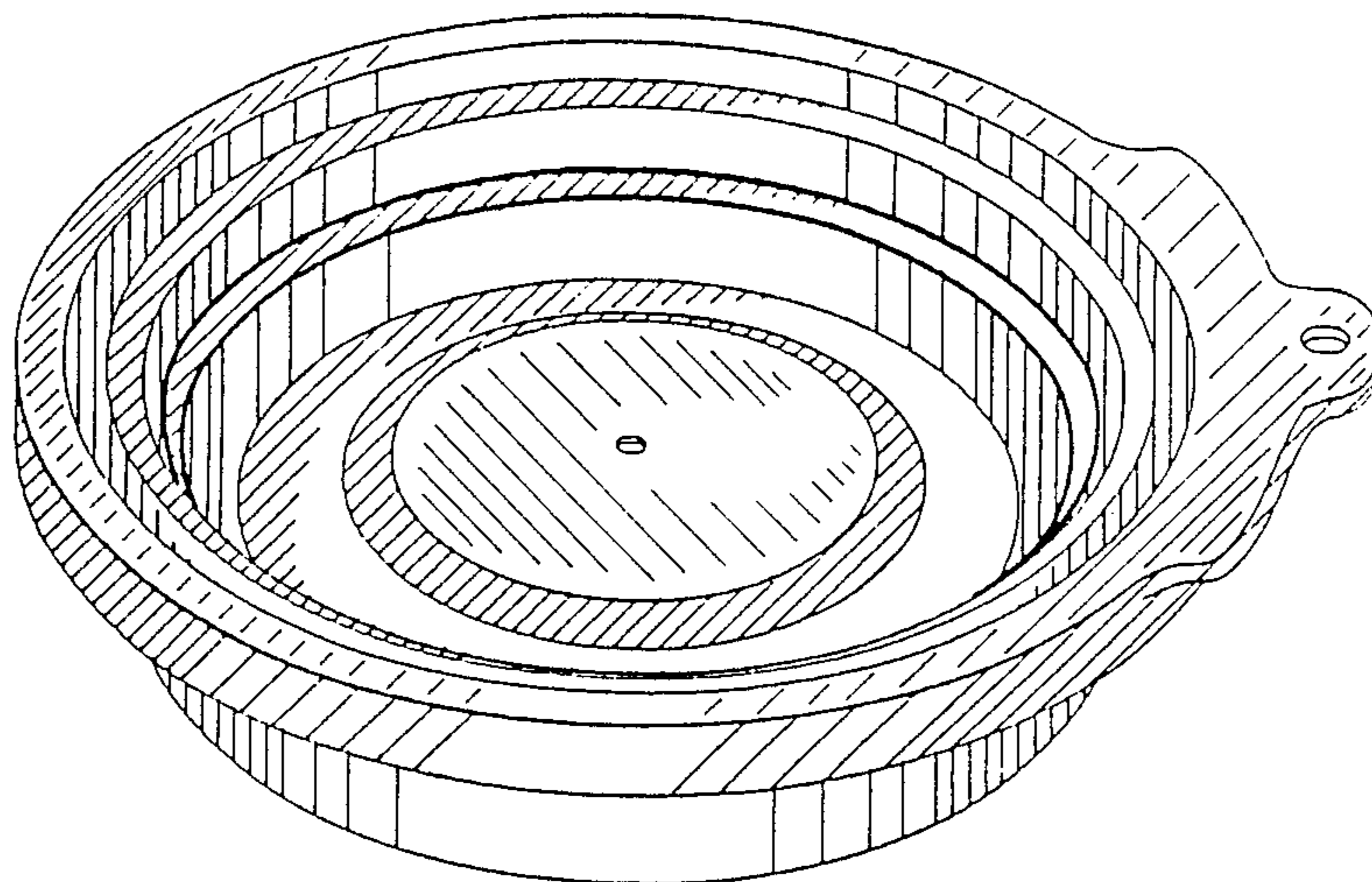
The ornamental design for turkey call, as shown and described.

## DESCRIPTION

FIG. 1 is a top perspective view of a turkey call showing my new design;

FIG. 2 is a side elevational view, with the opposite side being a mirror image thereof;

FIG. 3 is a bottom perspective view thereof.



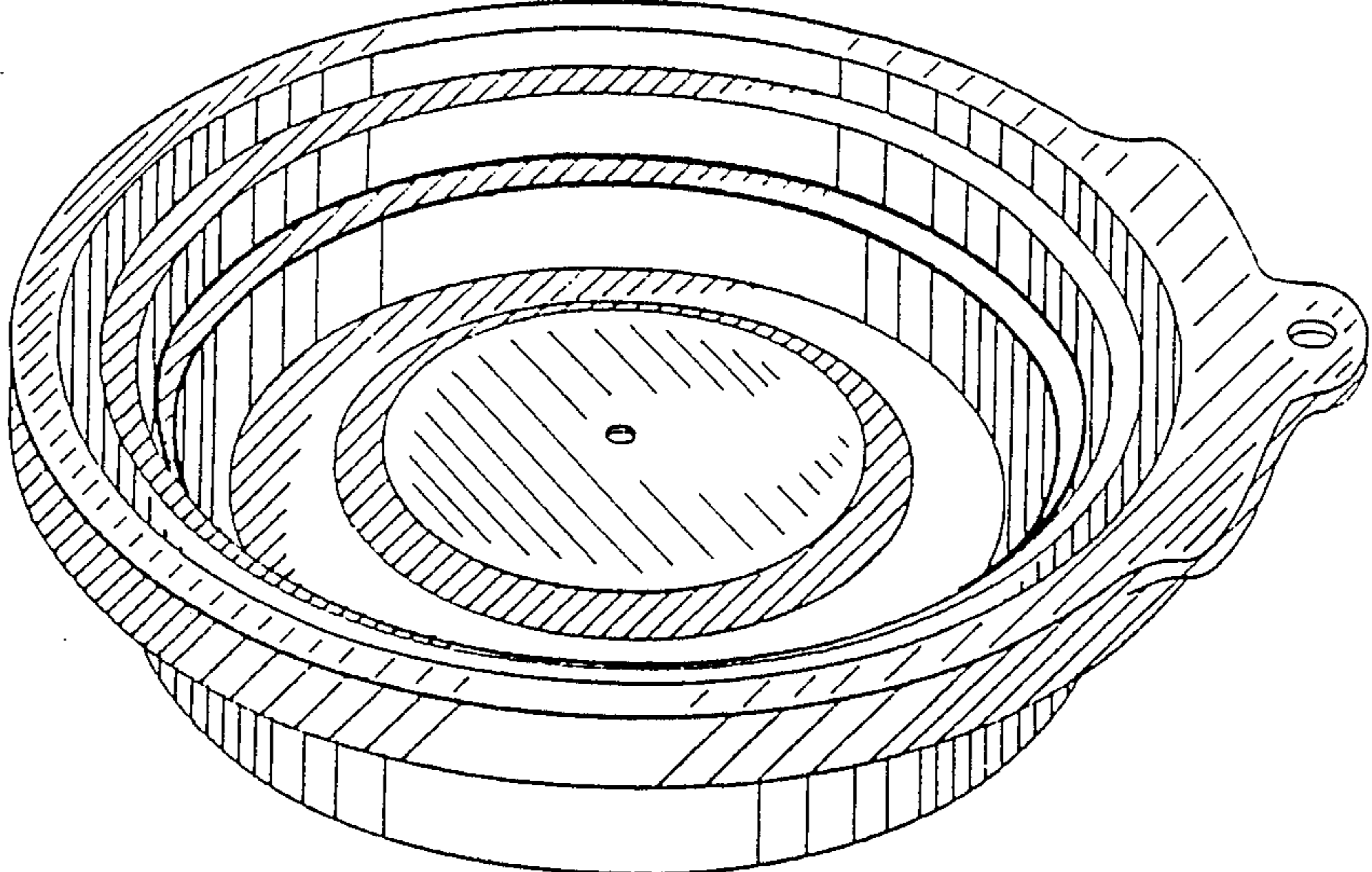


FIG. 1

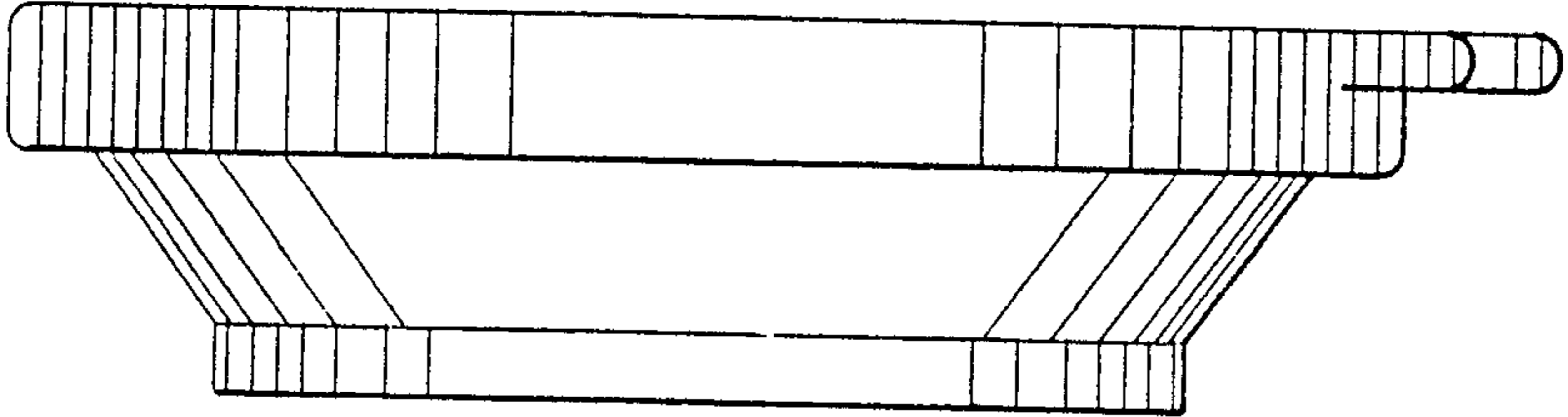


FIG. 2

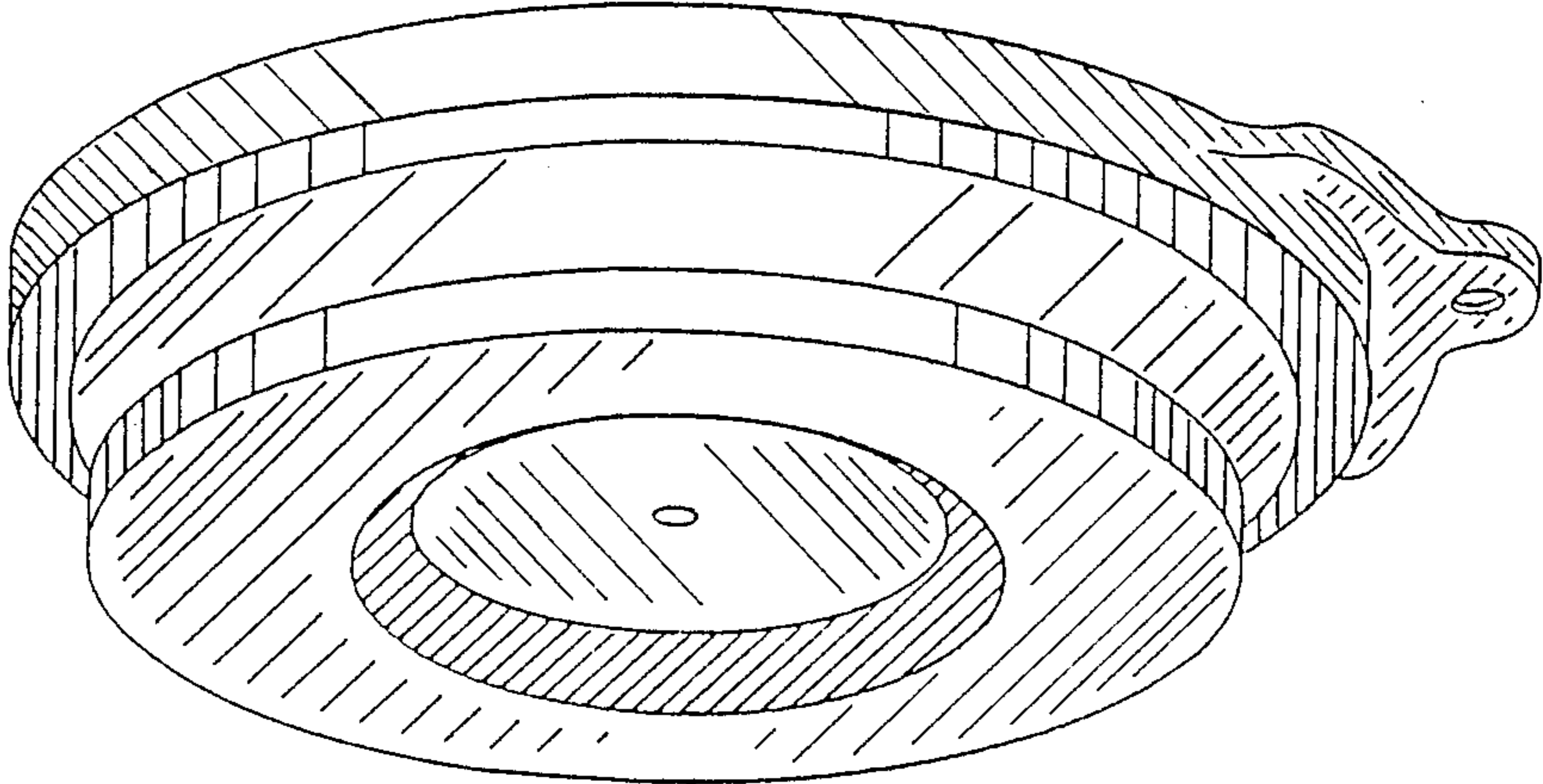


FIG. 3