

[54] EMERGENCY LIGHT ENCLOSURE

[76] Inventor: Brian Foster, 3 Goleta Point Dr.,
Corona Del Mar, Calif. 92625

[**] Term: 14 Years

[21] Appl. No.: 104,365

[22] Filed: Oct. 5, 1987

[52] U.S. Cl. D10/114; D26/35

[58] Field of Search D26/28-36;
D10/114; 362/61, 74, 80, 80.1, 80.2, 82, 83,
83.2, 83.3, 362; 340/468, 471-479

[56] References Cited

U.S. PATENT DOCUMENTS

- D. 254,603 4/1980 Gosswiller D10/114
- D. 262,659 1/1982 Latta et al. D26/35
- D. 286,756 11/1986 Menke et al. D10/114
- D. 291,870 9/1987 Urbanski et al. D10/114

- D. 293,090 12/1987 Garnerone D10/114
- 4,058,794 11/1977 Menke 340/473
- 4,577,178 3/1986 Hitora 340/472 X

Primary Examiner—Susan J. Lucas
Attorney, Agent, or Firm—Plante, Strauss, Vanderburgh
& Connors

[57] CLAIM

The ornamental design for an emergency light enclosure, as shown and described.

DESCRIPTION

FIG. 1 is a top perspective view of the emergency light enclosure showing my new design;
FIG. 2 is an end elevational view thereof, the opposite side being identical;
FIG. 3 is a side elevational view thereof, the opposite side being identical;
FIG. 4 is a top plan view thereof; and
FIG. 5 is a bottom plan view thereof.

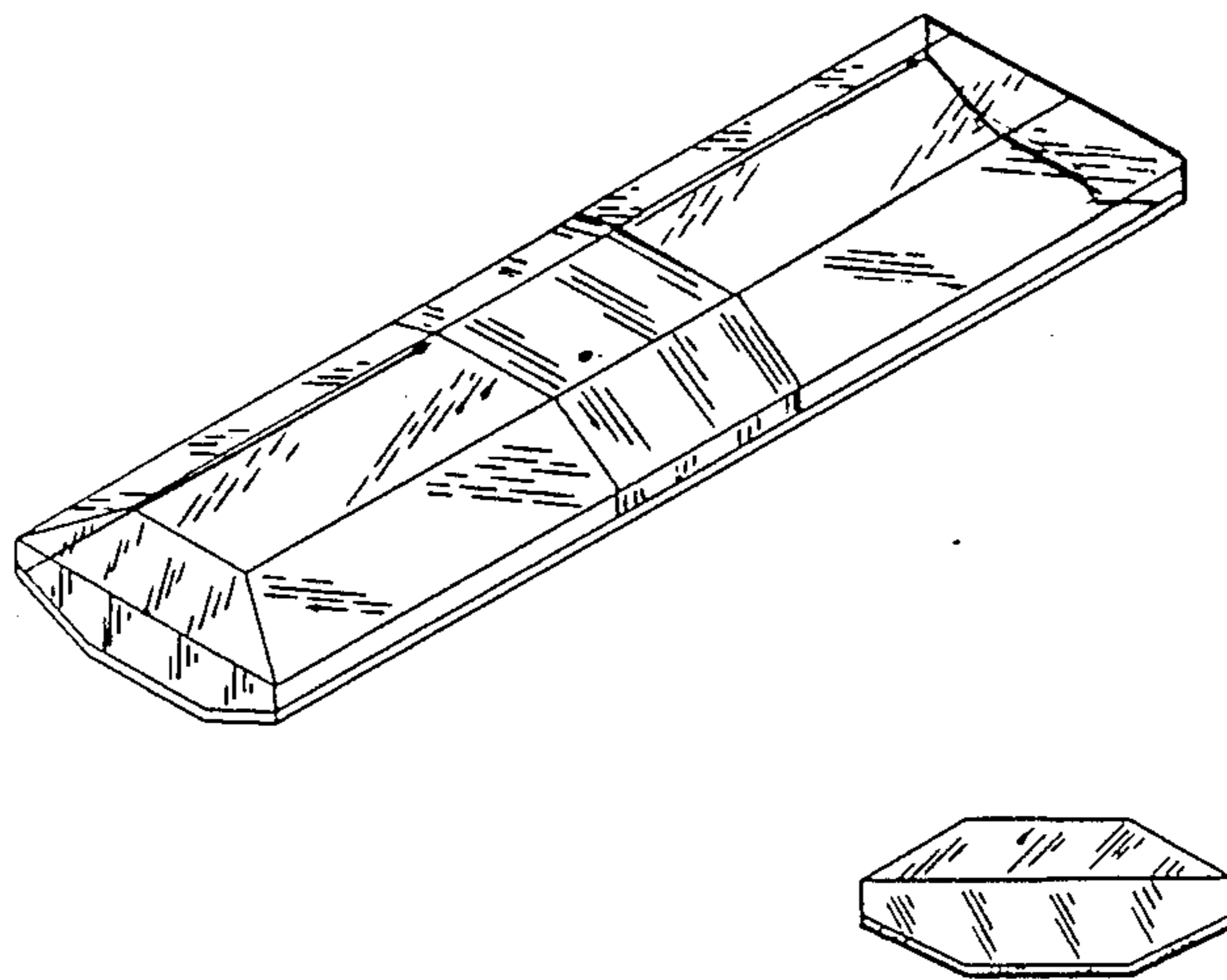


FIGURE 1

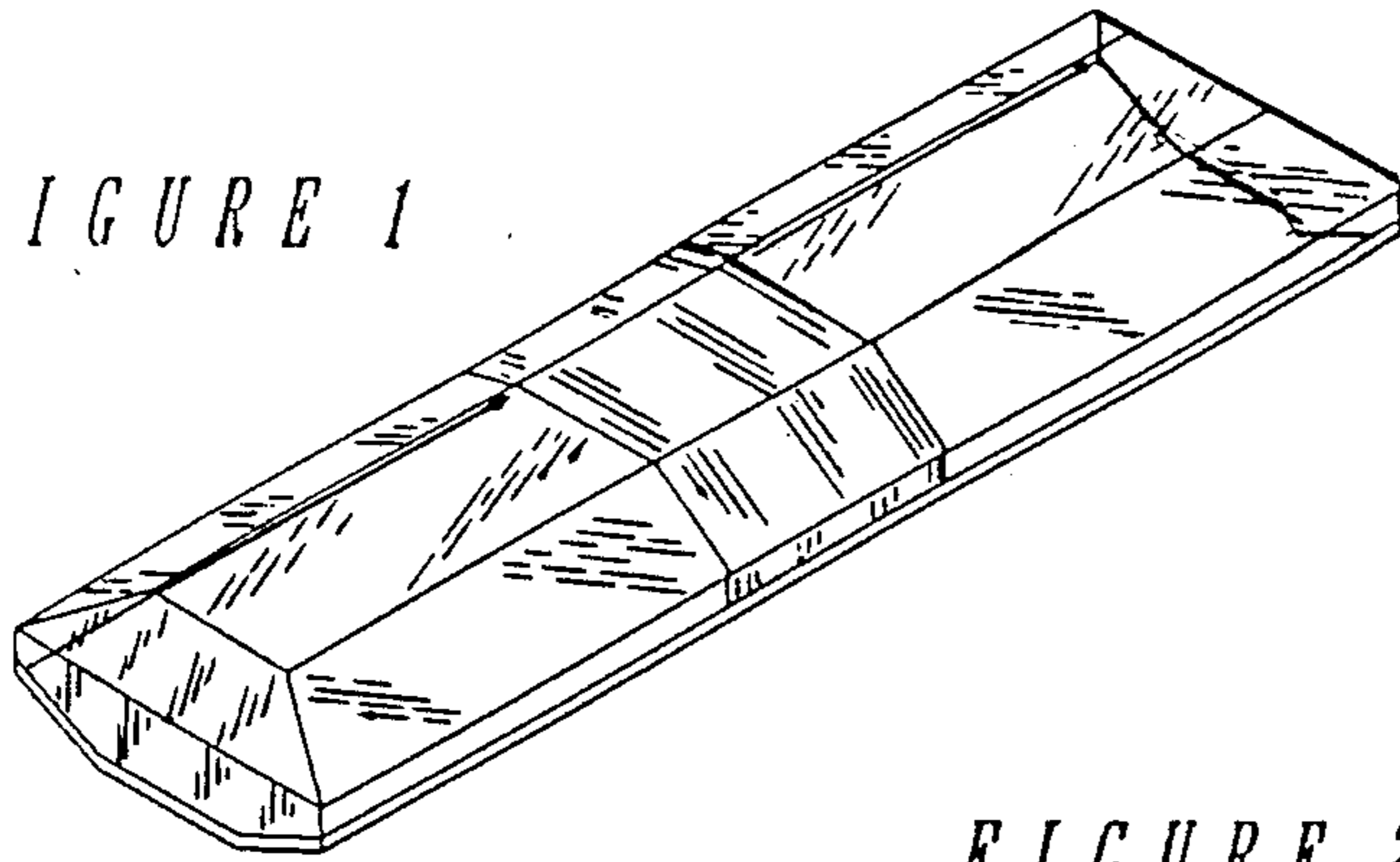


FIGURE 2



FIGURE 3

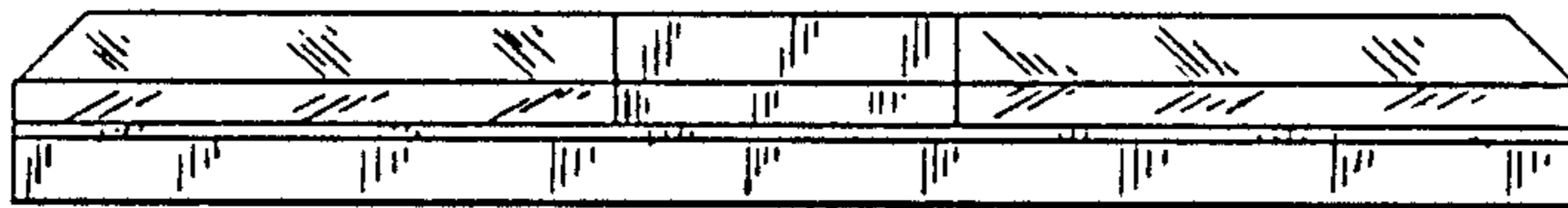


FIGURE 4

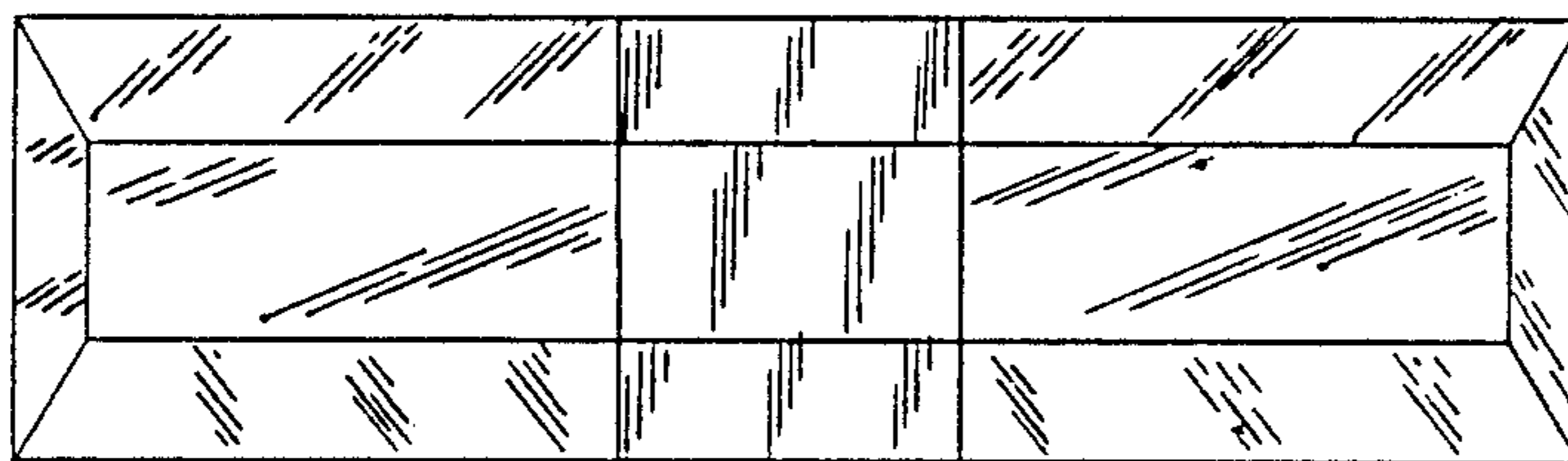


FIGURE 5

