

[54] PH METER  
[75] Inventor: Jerry B. Trottmann, Loveland, Colo.  
[73] Assignee: Hach Company, Loveland, Colo.  
[\*\*] Term: 14 Years  
[21] Appl. No.: 93,391  
[22] Filed: Sep. 4, 1987  
[52] U.S. Cl. .... D10/81  
[58] Field of Search ..... D10/46, 52, 53, 54,  
D10/57, 78, 75, 81, 102, 103; 73/431; 204/1 H,  
1 T, 196, 433, 435, 407, 430, 1 W; 324/156, 438

D. 226,271 2/1973 Holtzman ..... D10/78  
2,546,093 3/1951 Gilbert ..... 324/156  
4,090,925 5/1978 Jungman ..... 204/1 H  
4,696,189 9/1987 Hochreuther ..... 324/149 X

OTHER PUBLICATIONS

Transcat, pH/mV/Temperature Meter, 1986, p. 370.

Primary Examiner—Nelson C. Holtje  
Assistant Examiner—Antoine D. Davis  
Attorney, Agent, or Firm—Dean P. Edmundson

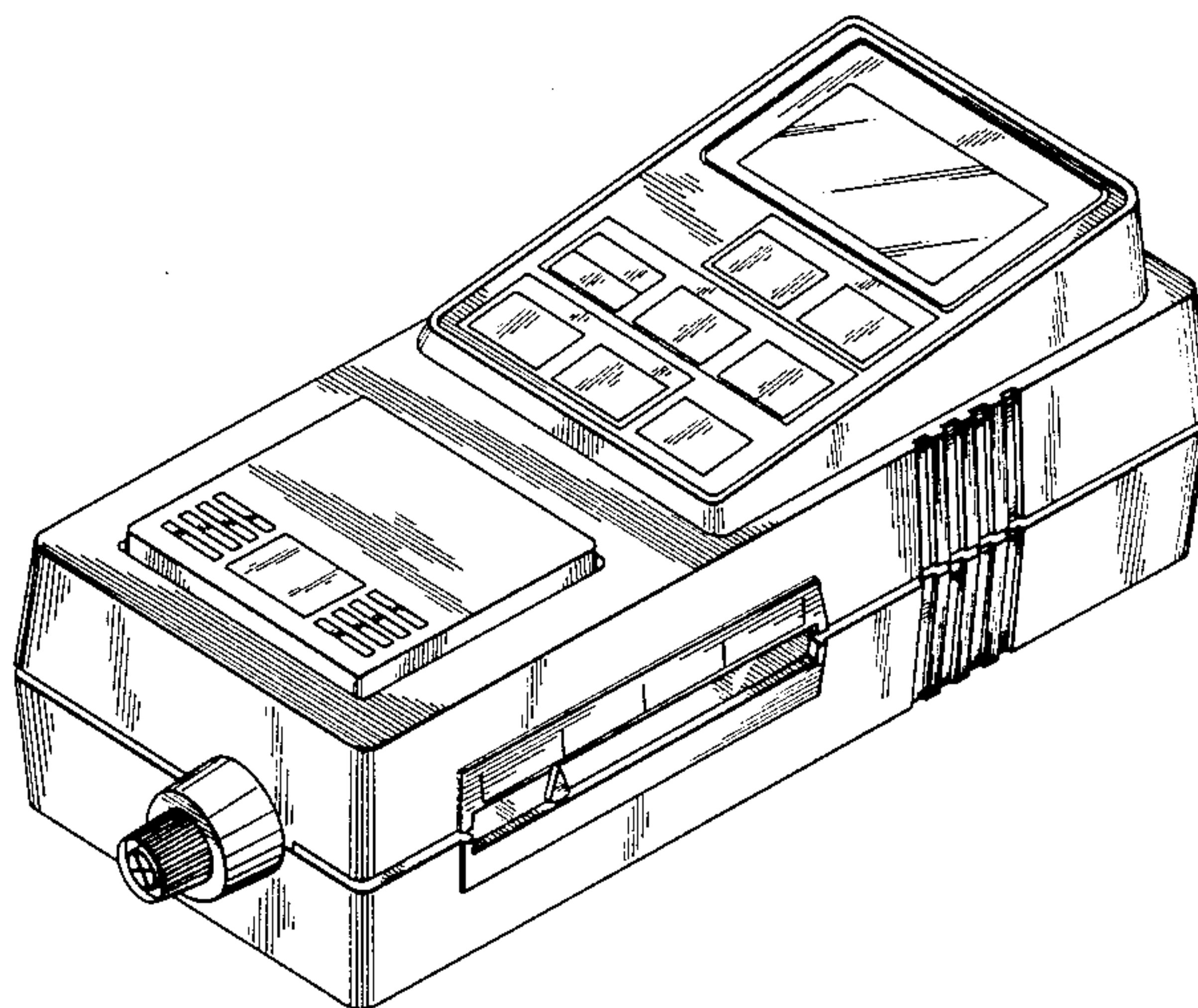
[57] CLAIM

The ornamental design for a pH meter, as shown.

DESCRIPTION

FIG. 1 is a top, front and right side perspective view of a pH meter showing my new design;  
FIG. 2 is a top plan view;  
FIG. 3 is a left side perspective view;  
FIG. 4 is a bottom plan view;  
FIG. 5 is a right side perspective view;  
FIG. 6 is a front elevational view; and  
FIG. 7 is a rear elevational view thereof.

[56] References Cited  
U.S. PATENT DOCUMENTS  
D. 206,004 10/1966 Perkins et al. .... D10/78  
D. 206,158 12/1966 Perkins et al. .... D10/78  
D. 211,058 5/1968 Neubrech ..... D10/102  
D. 212,124 8/1968 Feldman ..... D10/81 X  
D. 217,101 4/1970 Feldman ..... D10/57  
D. 224,048 6/1972 Bauer ..... D10/57



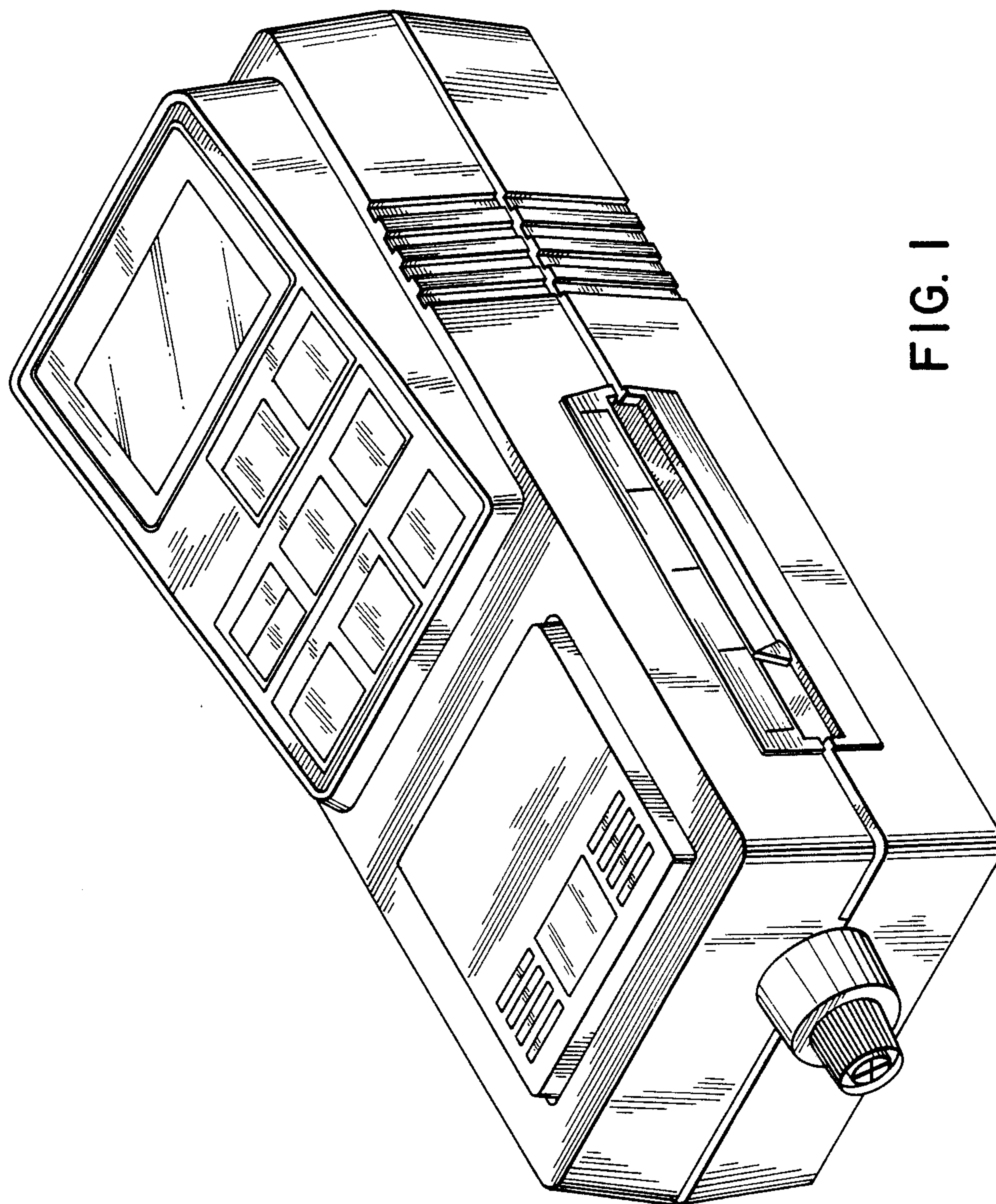


FIG. 1

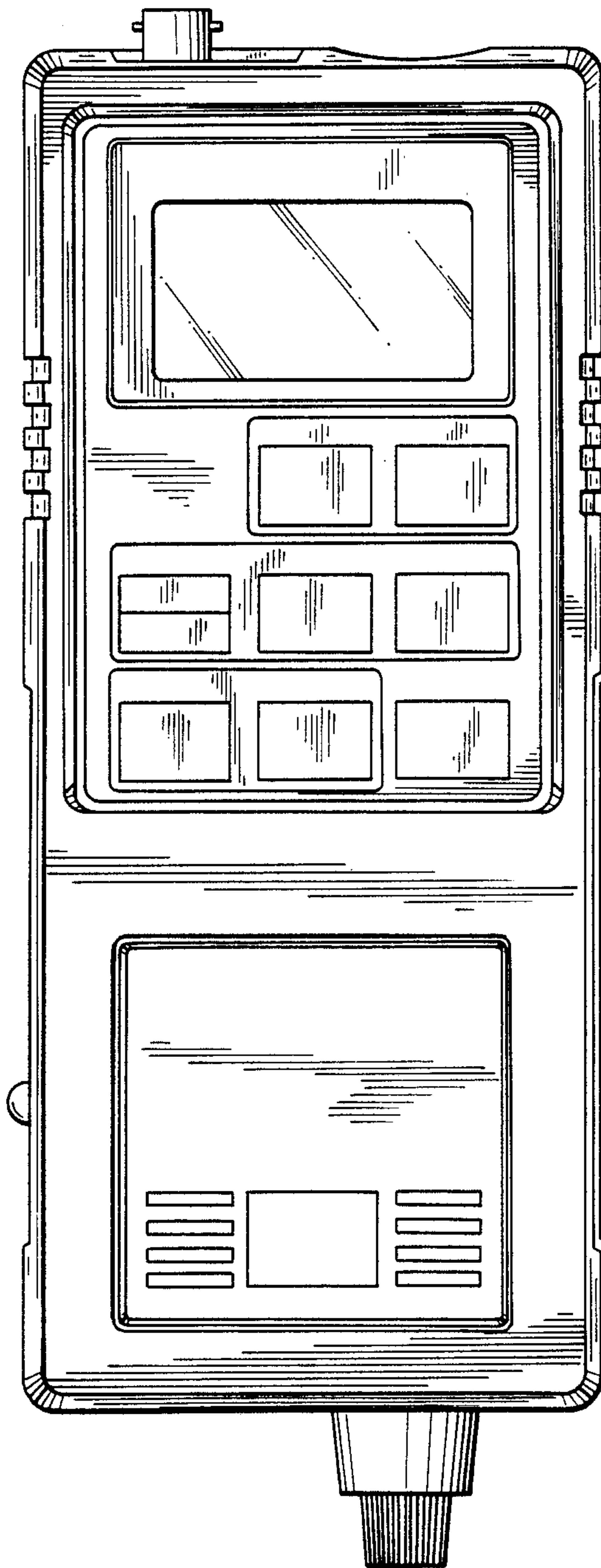


FIG. 2

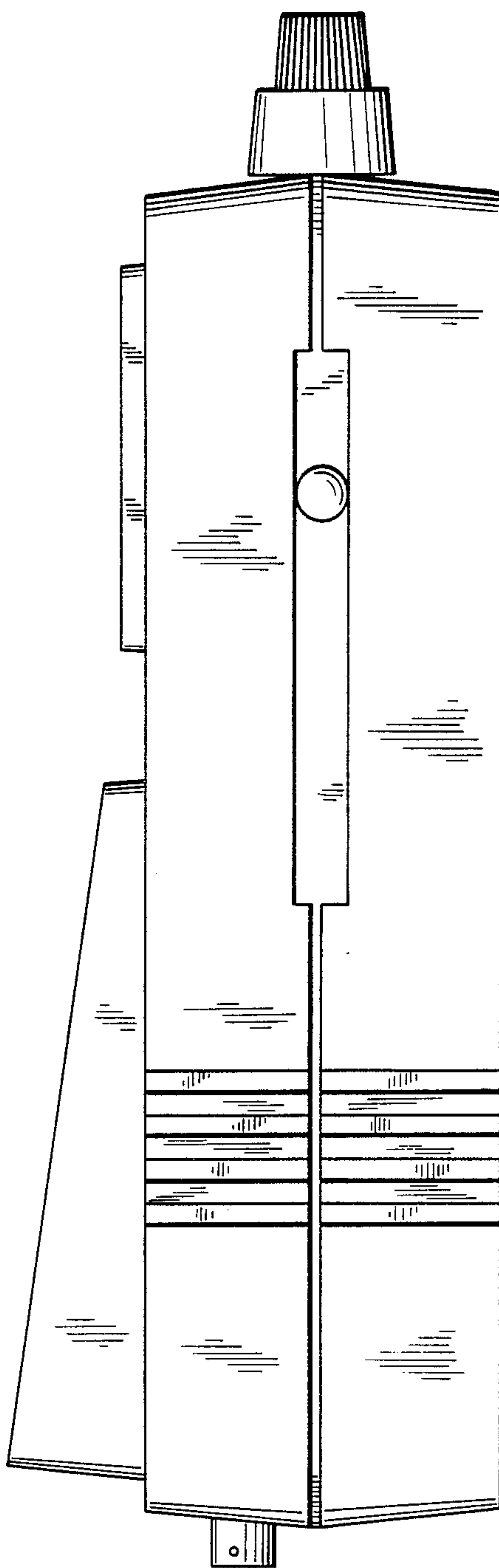


FIG. 3



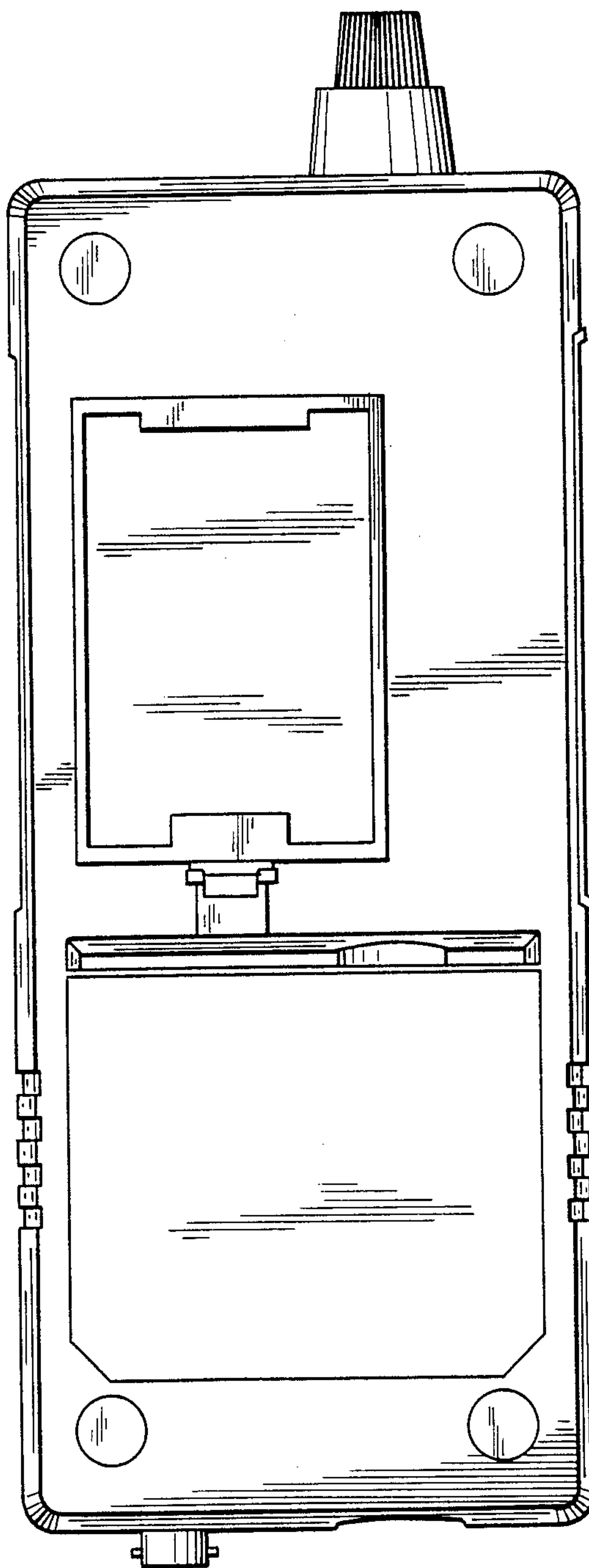


FIG. 4

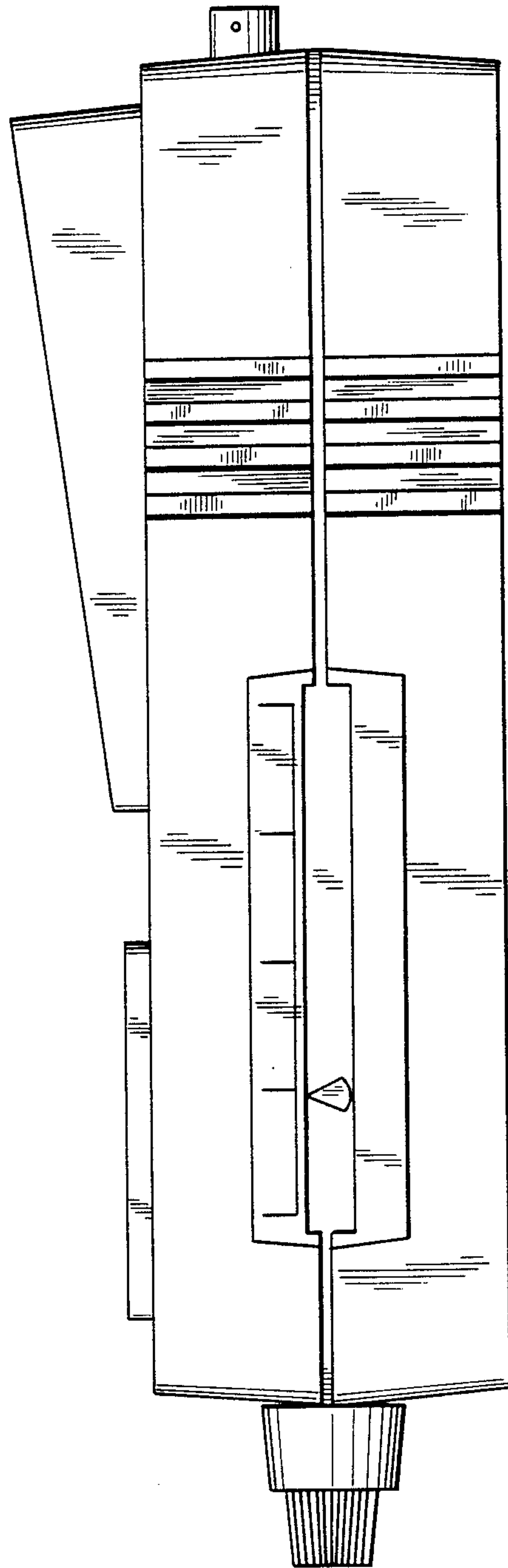


FIG. 5

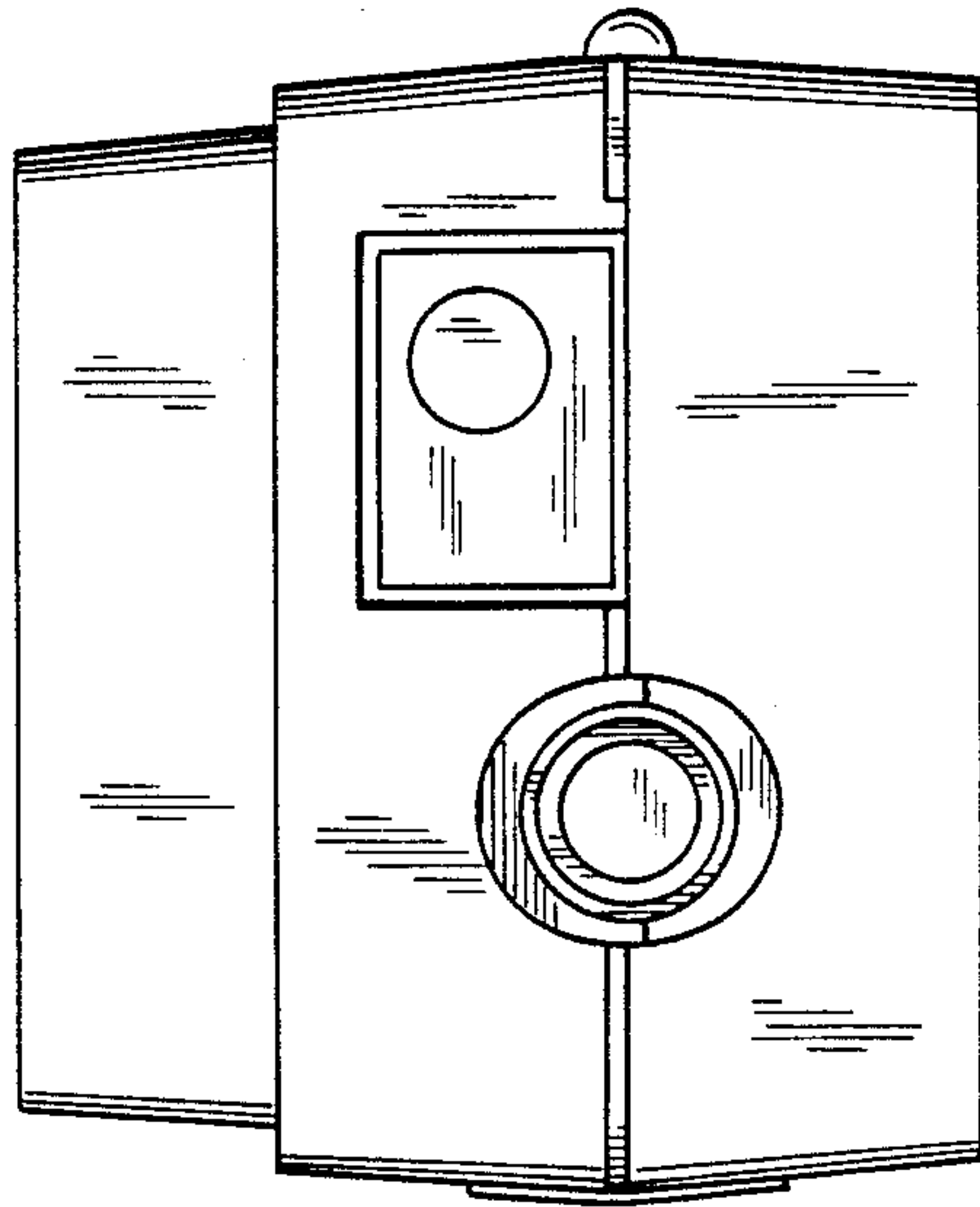


FIG. 7

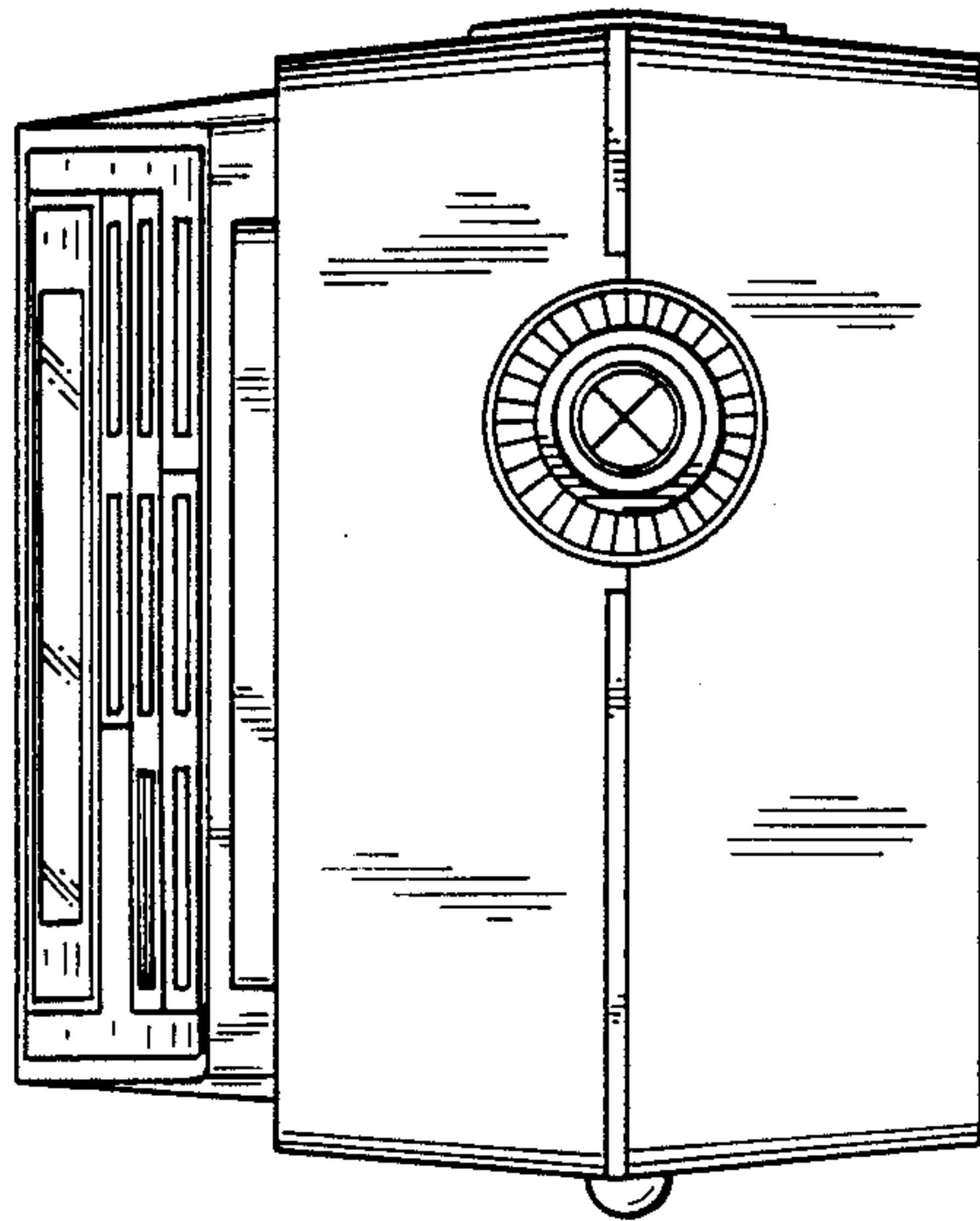


FIG. 6