

[54] **VOLT-OHM-AMMETER OR THE LIKE**  
[75] **Inventor: Masamichi Kuramoto, Tokyo, Japan**  
[73] **Assignee: Kyoritsu Electrical Instruments Works, Ltd., Tokyo, Japan**  
[\*\*] **Term: 14 Years**  
[21] **Appl. No.: 101,163**  
[22] **Filed: Sep. 25, 1987**

[30] **Foreign Application Priority Data**  
Apr. 4, 1987 [JP] Japan ..... 62-12879  
[52] **U.S. Cl. .... D10/79**  
[58] **Field of Search .... D10/75-80;**  
324/72.5, 73 R, 127, 129, 133, 149, 156, 126,  
128, 130, 158 P, 158 F

[56] **References Cited**  
**U.S. PATENT DOCUMENTS**  
D. 213,878 4/1969 Shimasaki ..... D10/79  
D. 242,609 12/1976 Melvin ..... D10/79  
D. 251,060 2/1979 Kuramoto ..... D10/79  
D. 261,627 11/1981 Kuramoto ..... D10/79  
D. 264,057 4/1982 Kuramoto ..... D10/79  
D. 264,448 5/1982 Kuramoto ..... D10/79

D. 271,948 12/1983 Kuramoto ..... D10/79  
4,283,677 8/1981 Niwa ..... 324/127  
4,825,154 4/1989 Cross et al. .... 324/149 X

**OTHER PUBLICATIONS**

Hioki, 3107 Clamp on Leak Hi Tester, 11/1983, p. 8.  
Ex Tech, Husky DMM Clamp Meter, 1986, p. 16.

*Primary Examiner*—Nelson C. Holtje  
*Assistant Examiner*—Antoine D. Davis  
*Attorney, Agent, or Firm*—Oblon, Spivak, McClelland,  
Maier & Neustadt

[57] **CLAIM**

The ornamental design for a volt-ohm-ammeter or the like, as shown and described.

**DESCRIPTION**

FIG. 1 is a top, front, and right side perspective view of a volt-ohm-ammeter or the like showing my new design;  
FIG. 2 is a right side elevational view;  
FIG. 3 is a top plan view;  
FIG. 4 is a bottom plan view;  
FIG. 5 is a left side elevational view;  
FIG. 6 is a front elevational view; and  
FIG. 7 is a rear elevational view thereof.

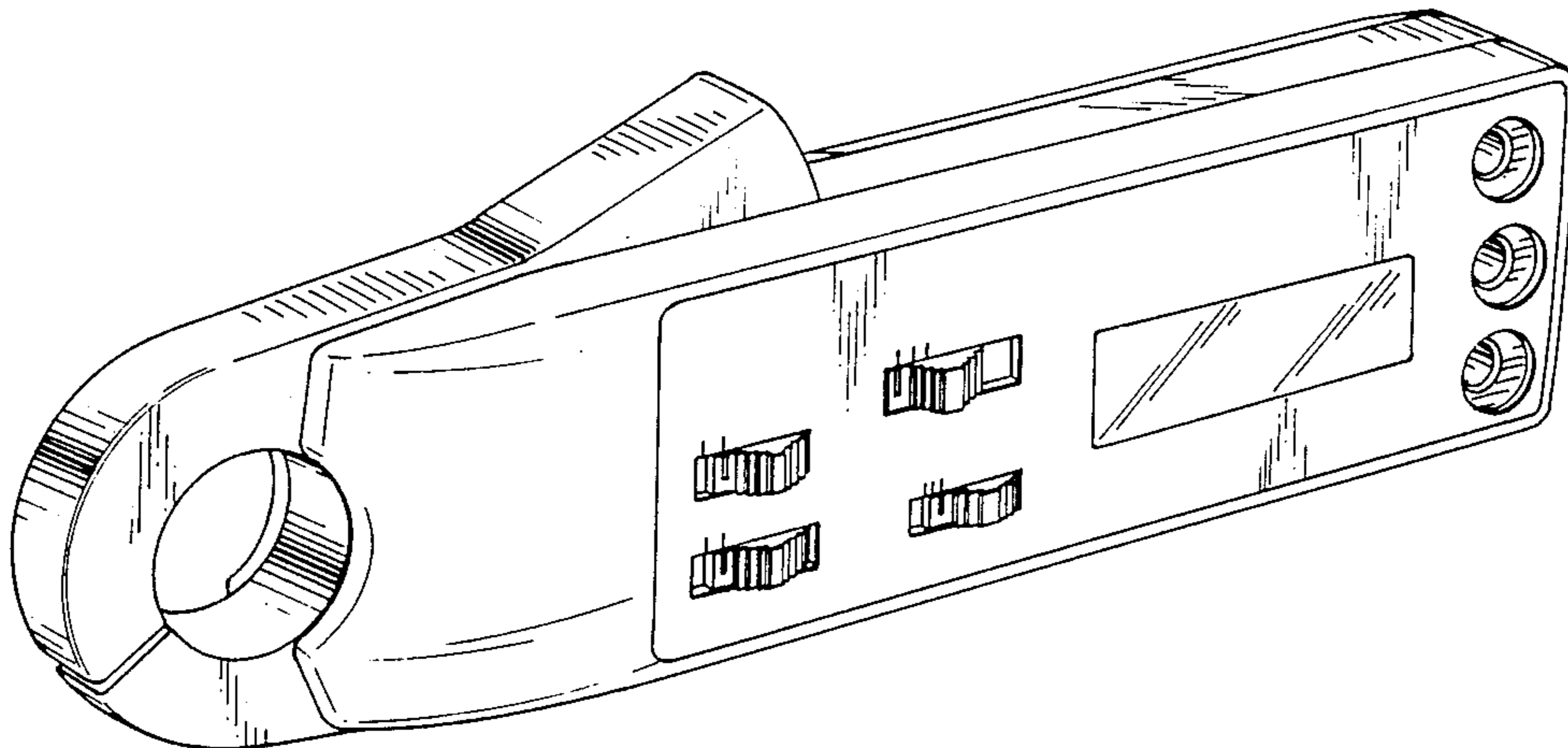


FIG. 1

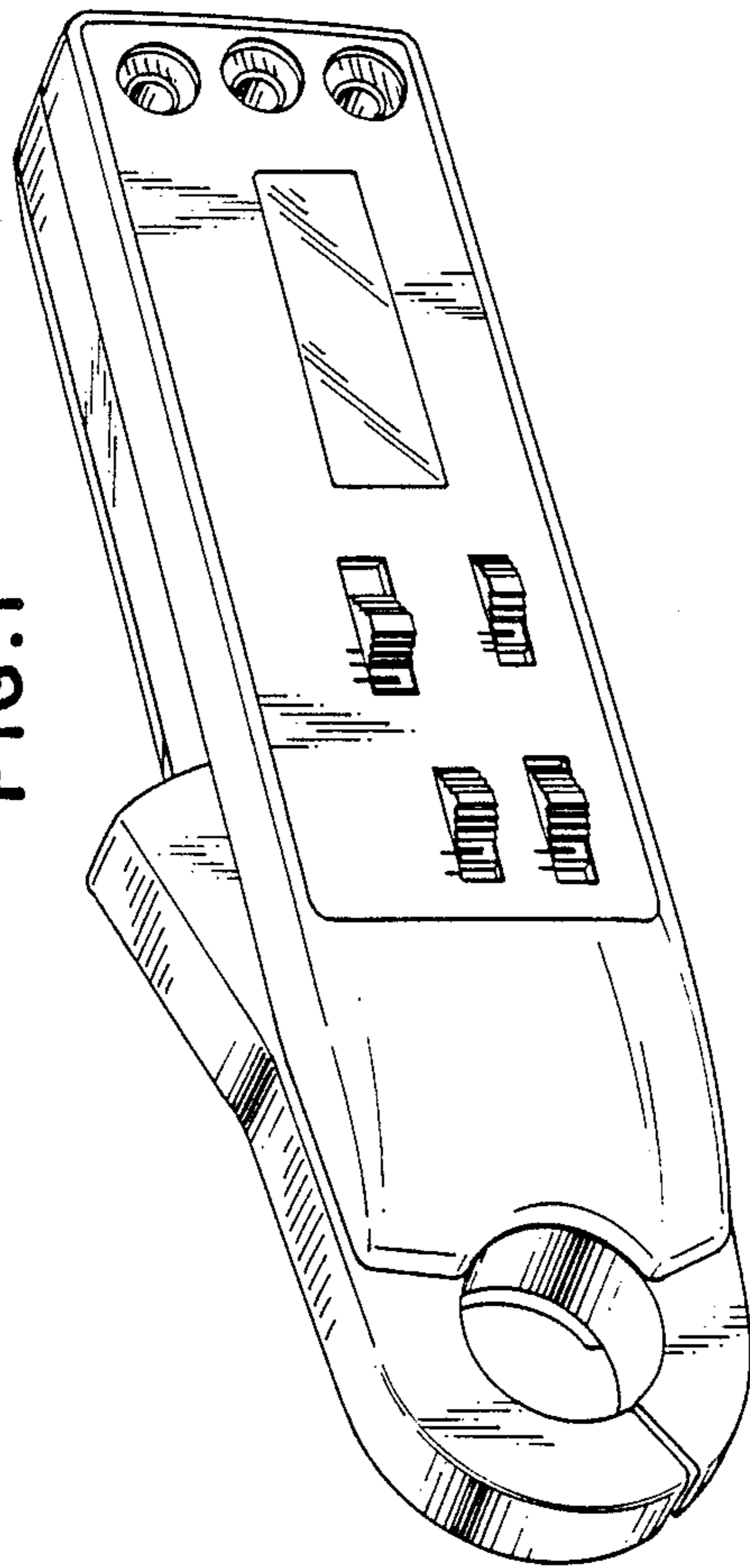


FIG. 2

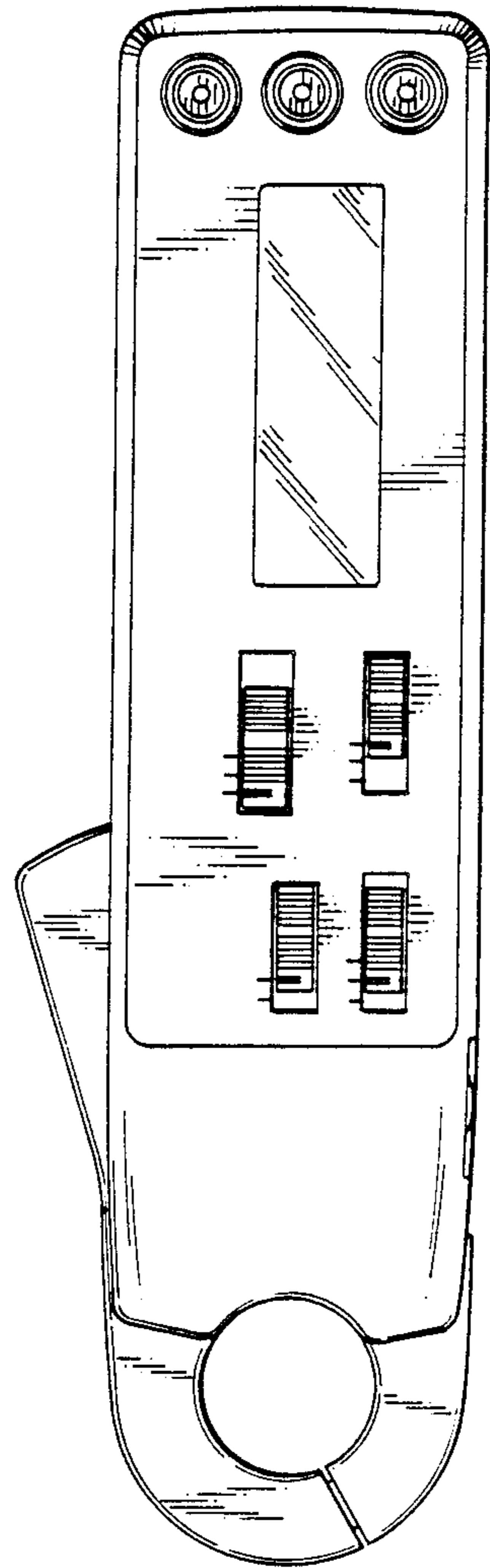


FIG. 3

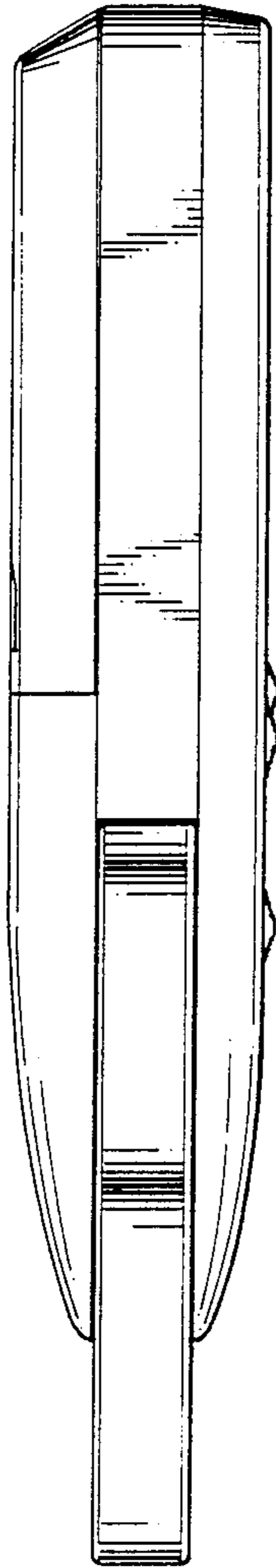


FIG. 4

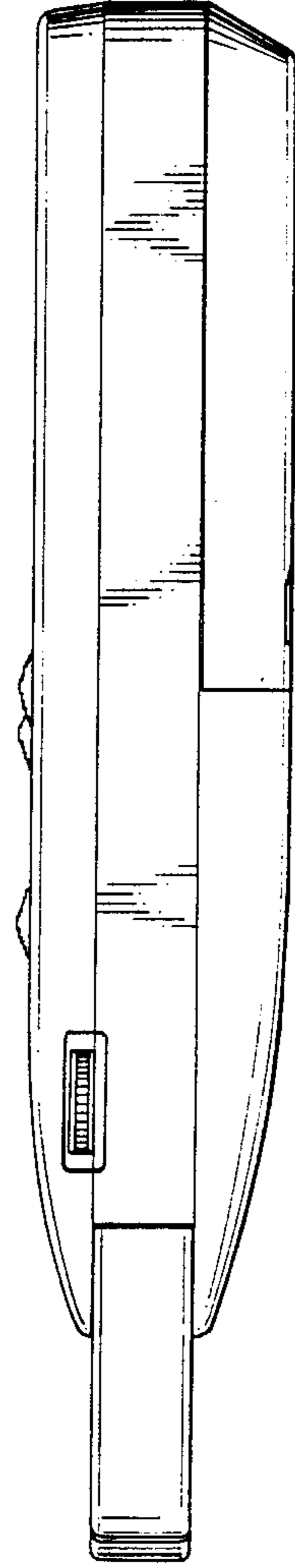


FIG. 5

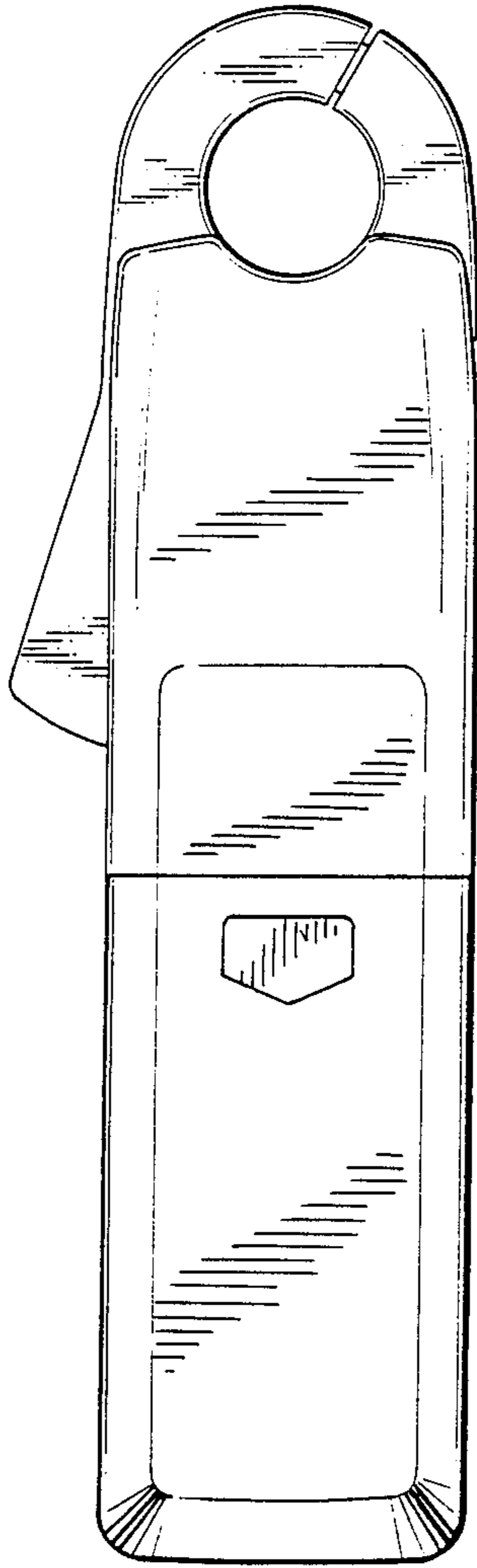


FIG. 6

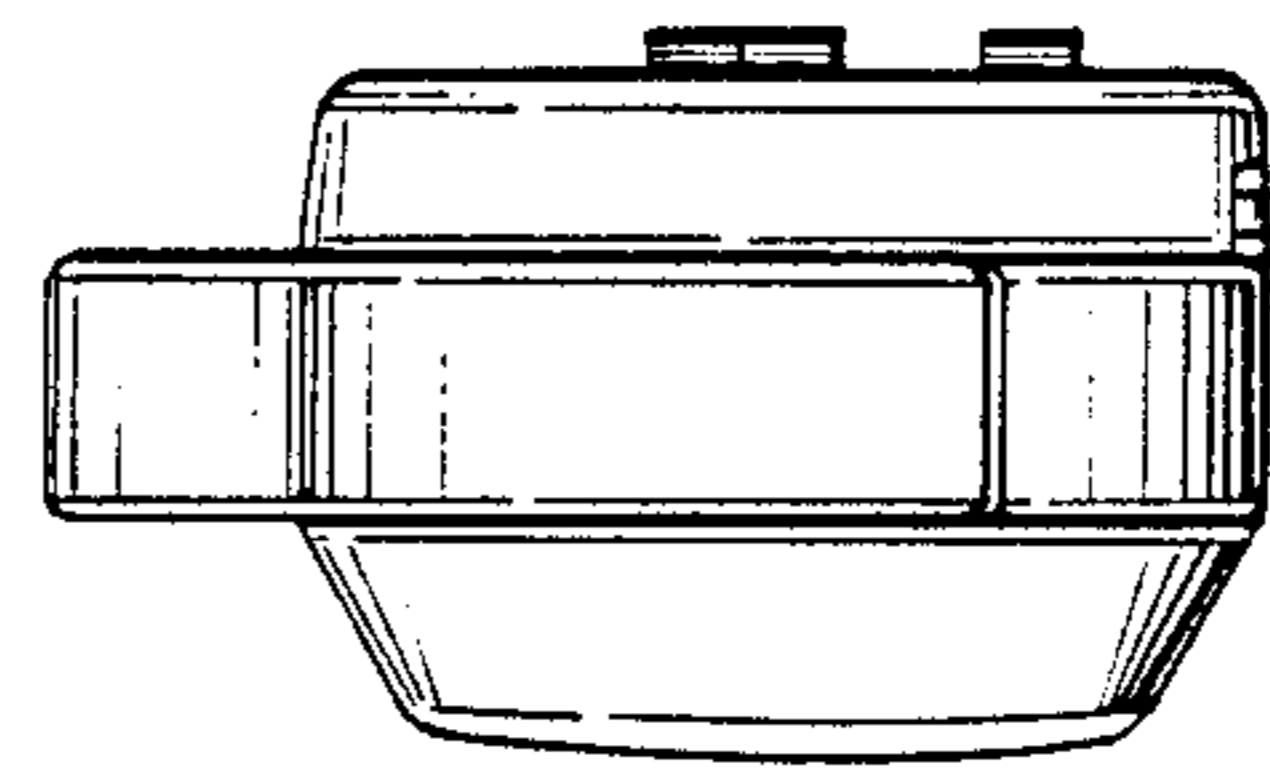


FIG. 7

