

United States Patent [19]

Kang

[11] **Patent Number: Des. 312,419**

[45] **Date of Patent: ** Nov. 27, 1990**

[54] **MEASURING TAPE**

[75] **Inventor: Dong M. Kang, Seoul, Rep. of Korea**

[73] **Assignee: Korea Measures Co., Ltd., Rep. of Korea**

[**] **Term: 14 Years**

[21] **Appl. No.: 279,146**

[22] **Filed: Dec. 2, 1988**

[30] **Foreign Application Priority Data**

Aug. 3, 1988 [KR] Rep. of Korea 10996/1988

[52] **U.S. Cl. D10/72**

[58] **Field of Search D10/70, 72, 74; 33/700, 33/755, 756, 757, 758, 759, 760, 761, 762, 763, 764, 765, 766, 767, 768, 769, 770; 242/84.8, 85, 96**

[56] **References Cited**

U.S. PATENT DOCUMENTS

2,992,487 7/1961 Miller D10/72 X

3,375,590	4/1968	Quenot	33/765
3,838,520	1/1974	Quenot	33/760
4,242,574	12/1980	Grant	33/763 X
4,535,415	8/1985	Hird	33/763 X
4,542,589	9/1985	Yamamoto	33/760
4,580,347	4/1986	McKnight	33/760
4,697,349	10/1987	Lee	33/760 X

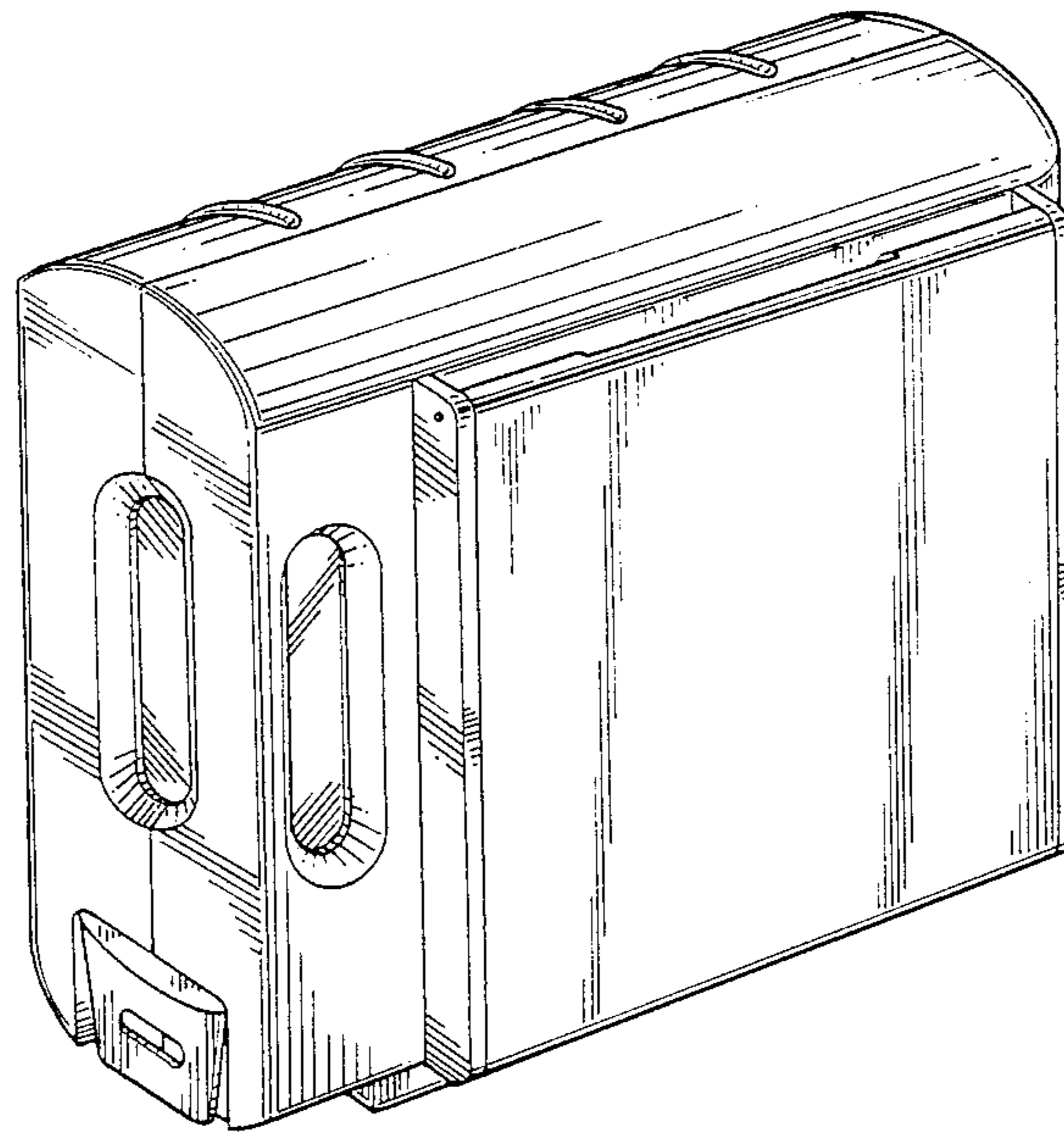
Primary Examiner—Nelson C. Holtje
Assistant Examiner—Antoine D. Davis
Attorney, Agent, or Firm—Robert J. Koch

[57] **CLAIM**

The ornamental design for a measuring tape, as shown.

DESCRIPTION

FIG. 1 is a top, front, and left side perspective view of a measuring tape showing my new design;
FIG. 2 is a front elevational view;
FIG. 3 is a rear elevational view;
FIG. 4 is a top plan view;
FIG. 5 is a bottom plan view;
FIG. 6 is a left side elevational view; and
FIG. 7 is a right side elevational view thereof.



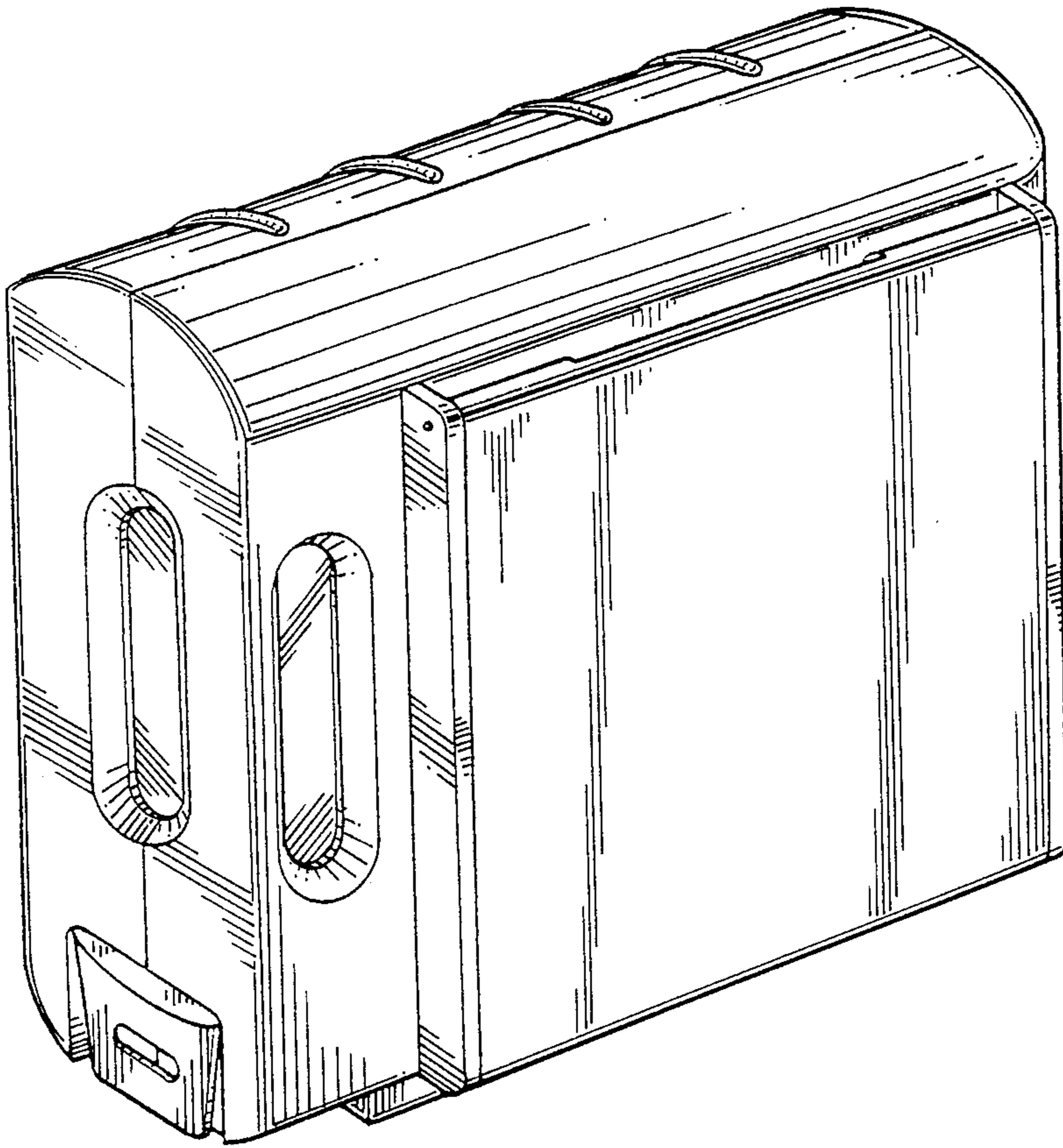


FIG. 1

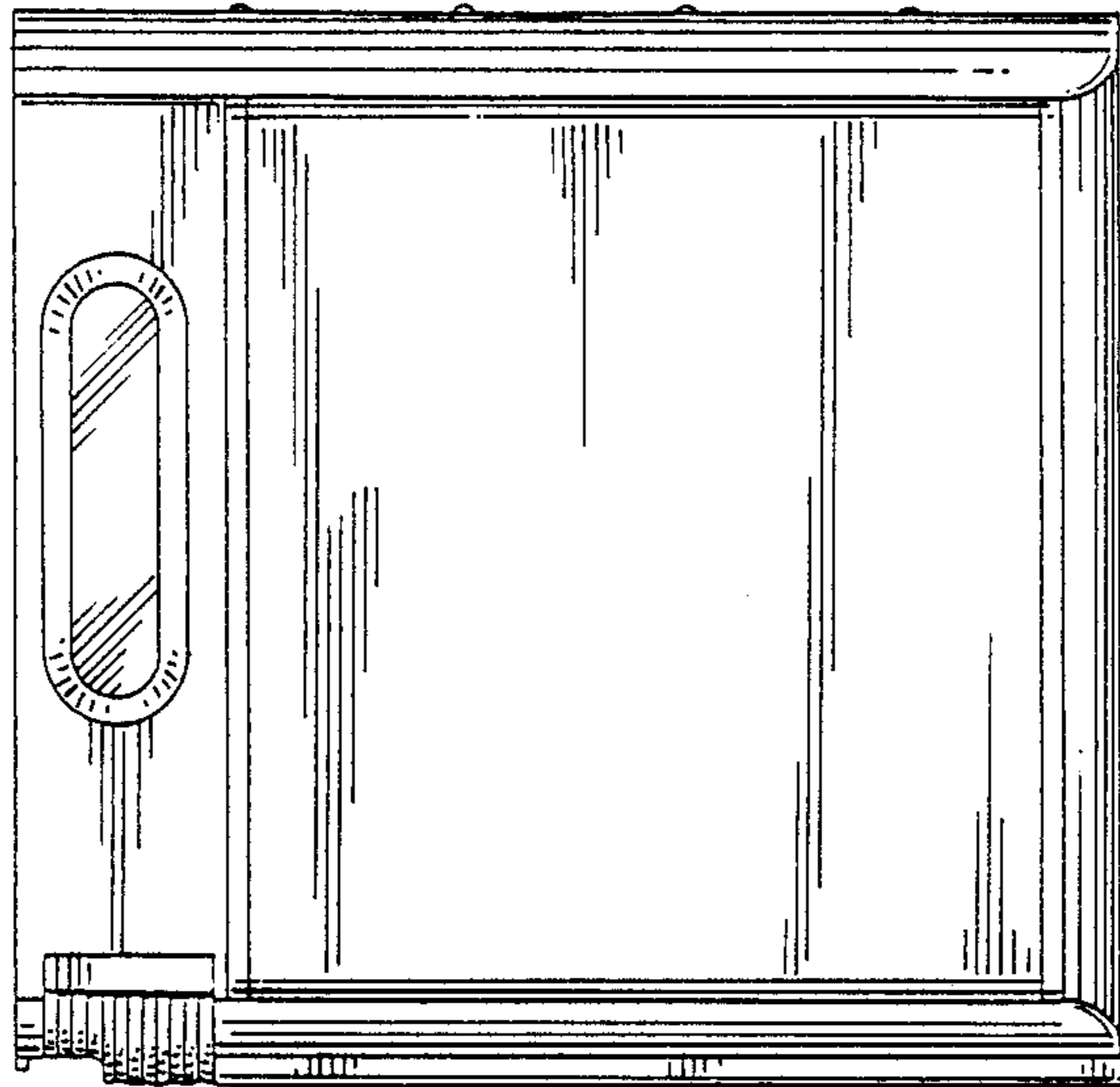


FIG. 2

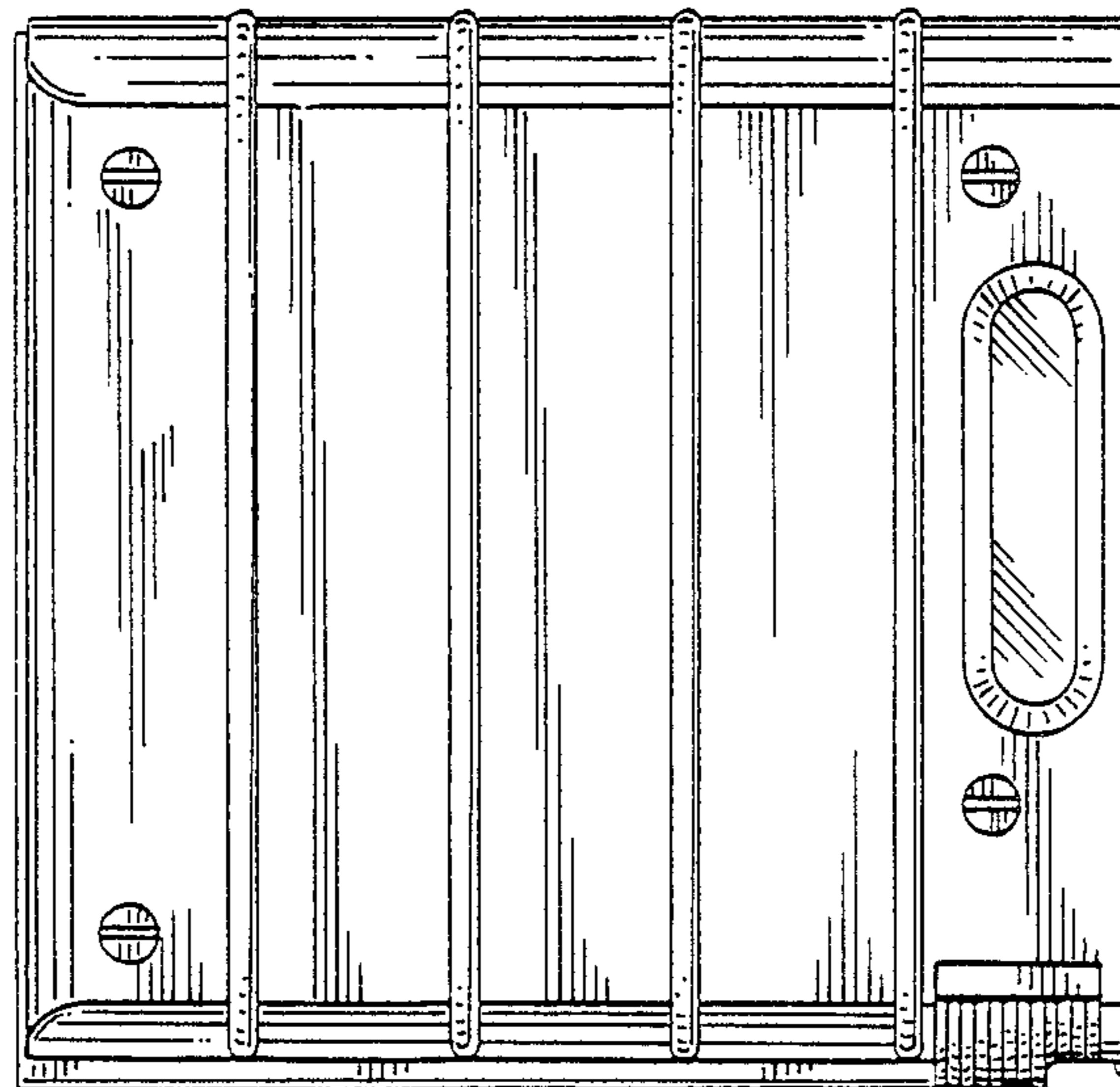


FIG. 3

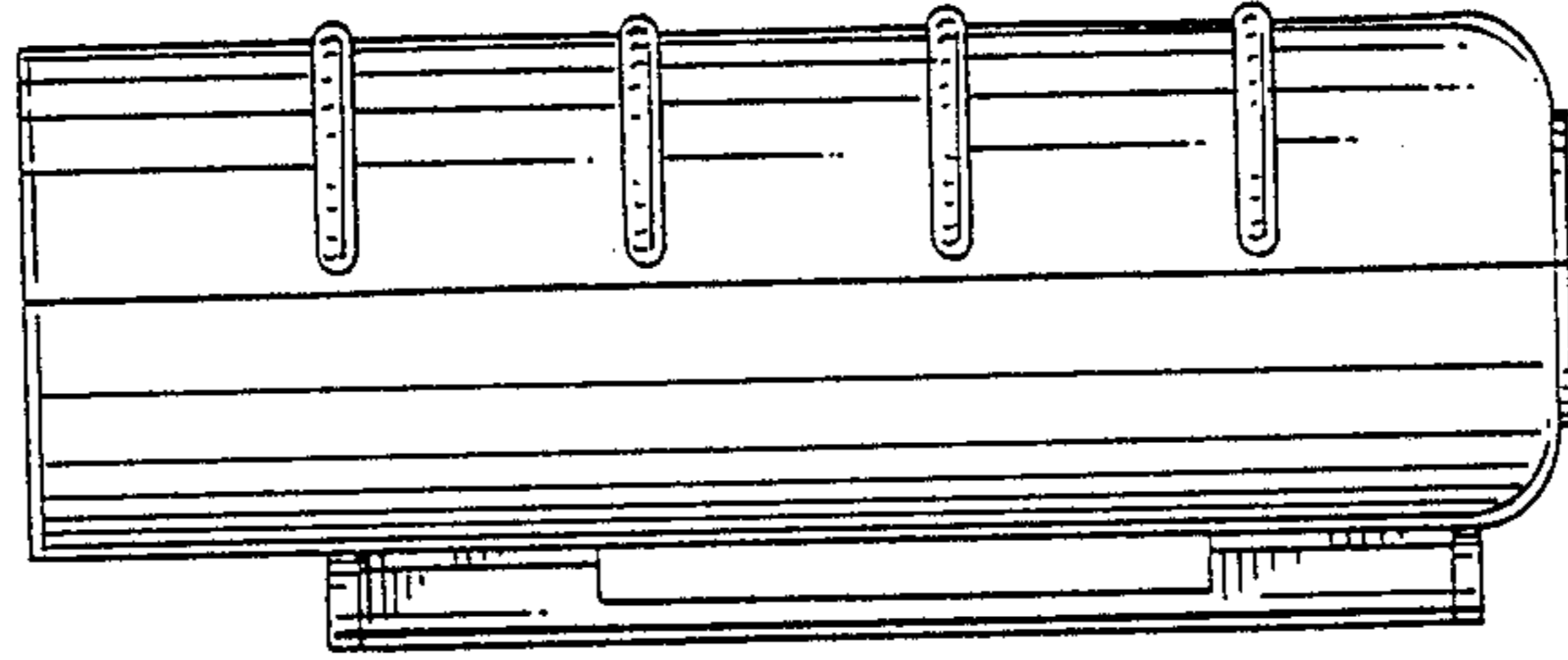


FIG. 4

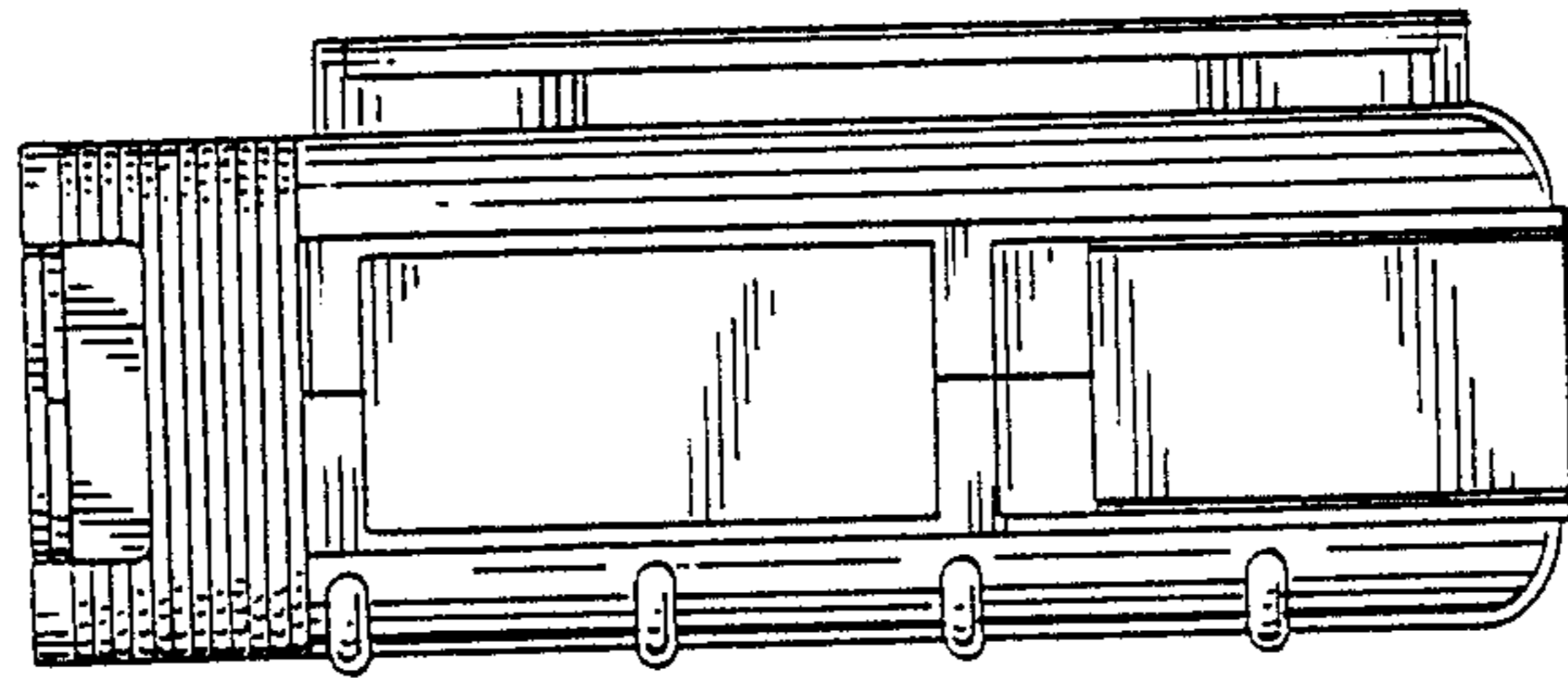


FIG. 5

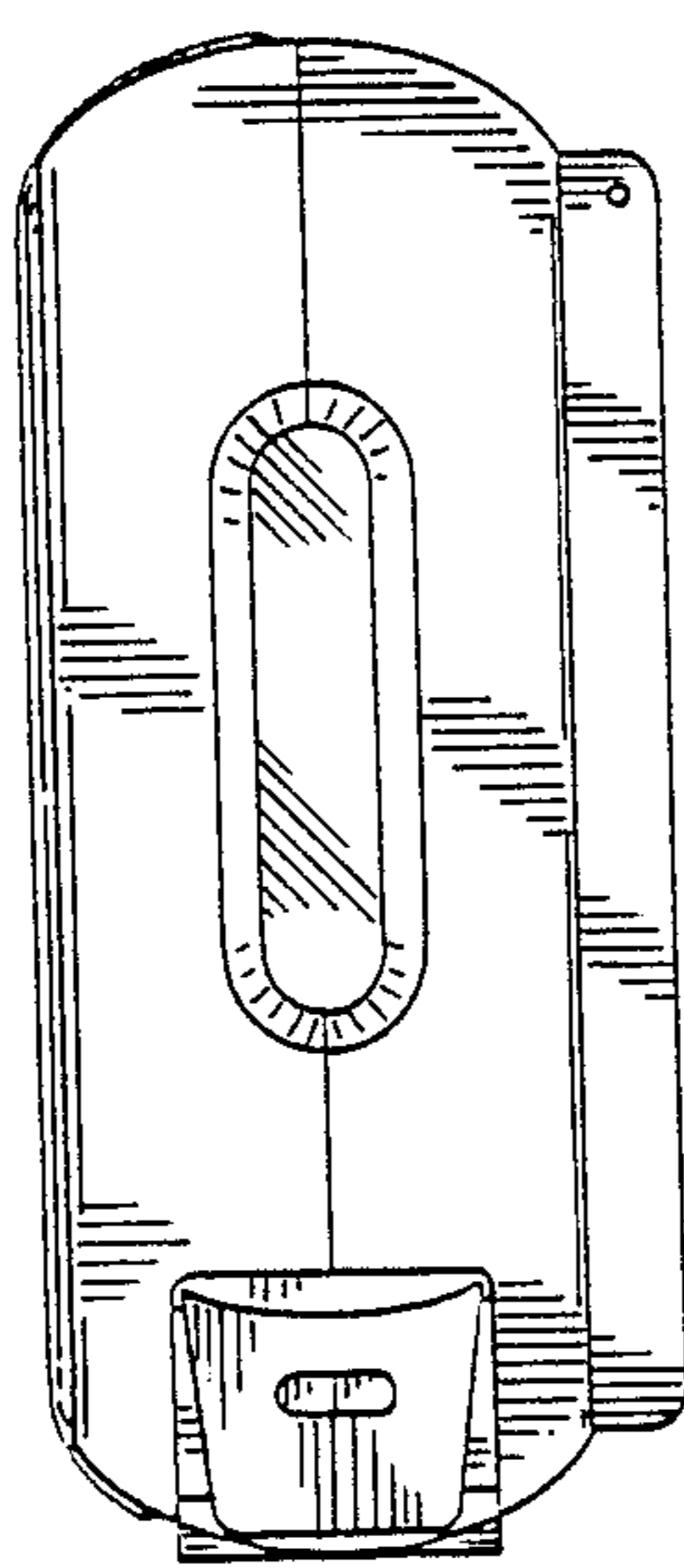


FIG. 6

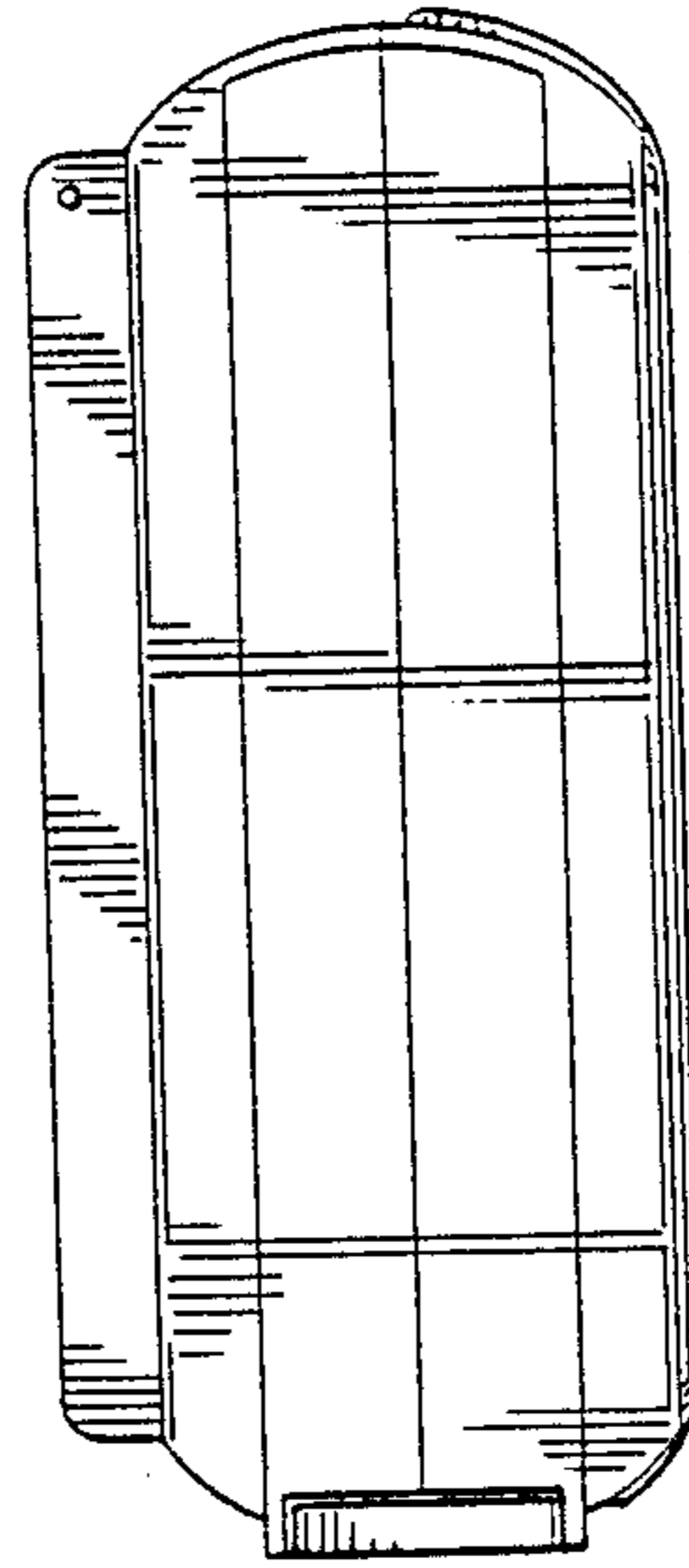


FIG. 7