

- [54] COMBINATION COMPASS
- [75] Inventor: Toshikazu Yusa, Tokyo, Japan
- [73] Assignee: Tokyo Compass Mfg. Co., Ltd., Tokyo, Japan
- [**] Term: 14 Years
- [21] Appl. No.: 75,075
- [22] Filed: Jul. 17, 1987
- [52] U.S. Cl. D10/68
- [58] Field of Search D10/61, 65, 68; 33/316, 33/317 R, 317 D, 324, 325, 326, 327, 328, 329, 330, 355 R, 356, 357, 358, 359, 360, 361, 362, 363, 364, 365, 412, 413, 414, 476, 548, 332, 339, 354; 73/866.3

- 3,522,657 8/1970 Metroluis 33/485
- 4,506,451 3/1985 Hiltz 33/429
- 4,697,349 10/1987 Lee D10/62 X

Primary Examiner—Nelson C. Holtje
Assistant Examiner—Antoine D. Davis
Attorney, Agent, or Firm—Koda & Androlia

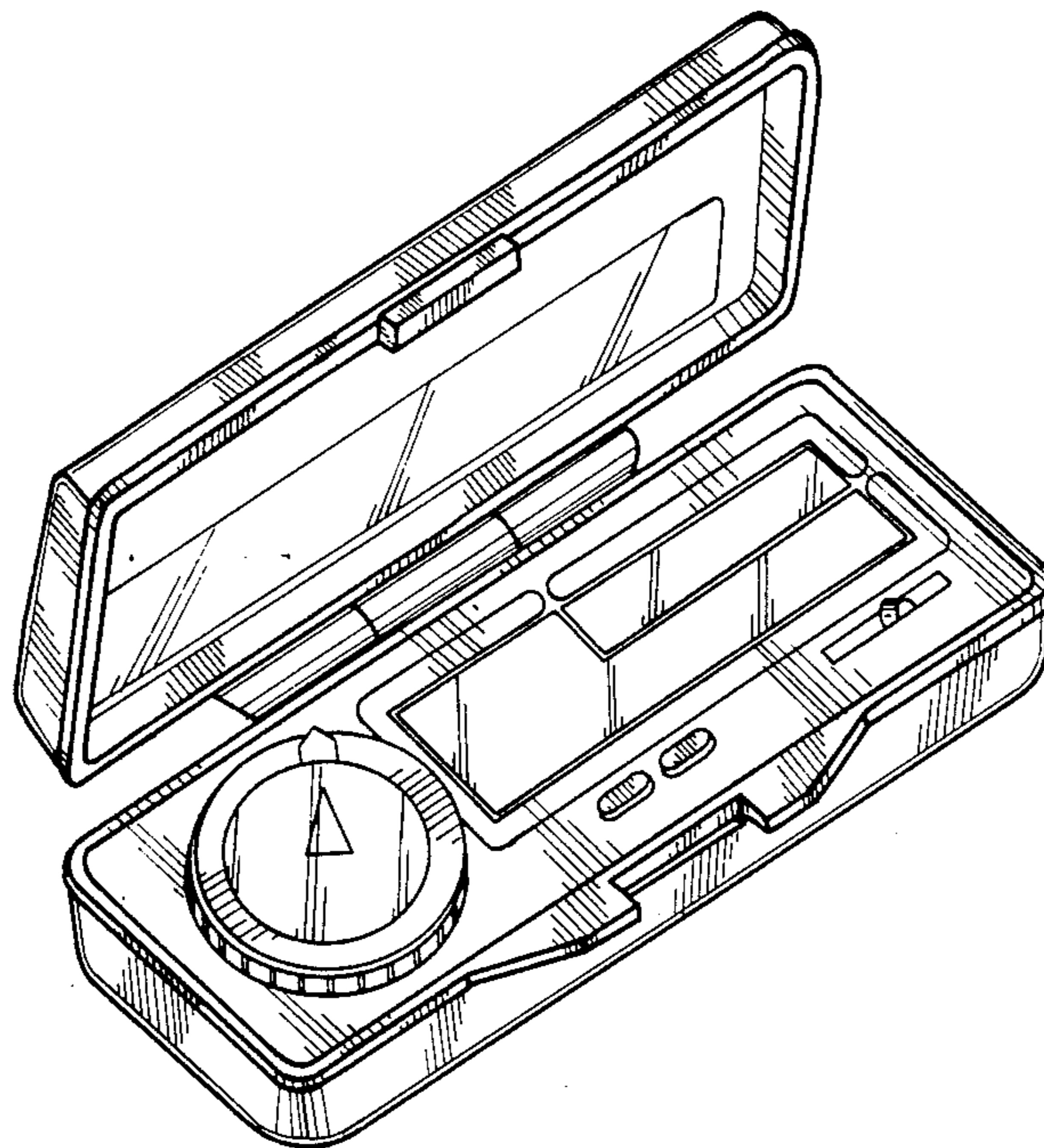
[57] CLAIM

The ornamental design for a combination compass, as shown and described.

DESCRIPTION

FIG. 1 is a top, front and left side perspective view of a combination compass showing my new design;
 FIG. 2 is a top plan view;
 FIG. 3 is a bottom plan view;
 FIG. 4 is a left side elevational view, the right side being a mirror image;
 FIG. 5 is a front elevational view; and
 FIG. 6 is a rear elevational view thereof.

- [56] **References Cited**
- U.S. PATENT DOCUMENTS
- D. 212,906 12/1968 Bobrick D10/69



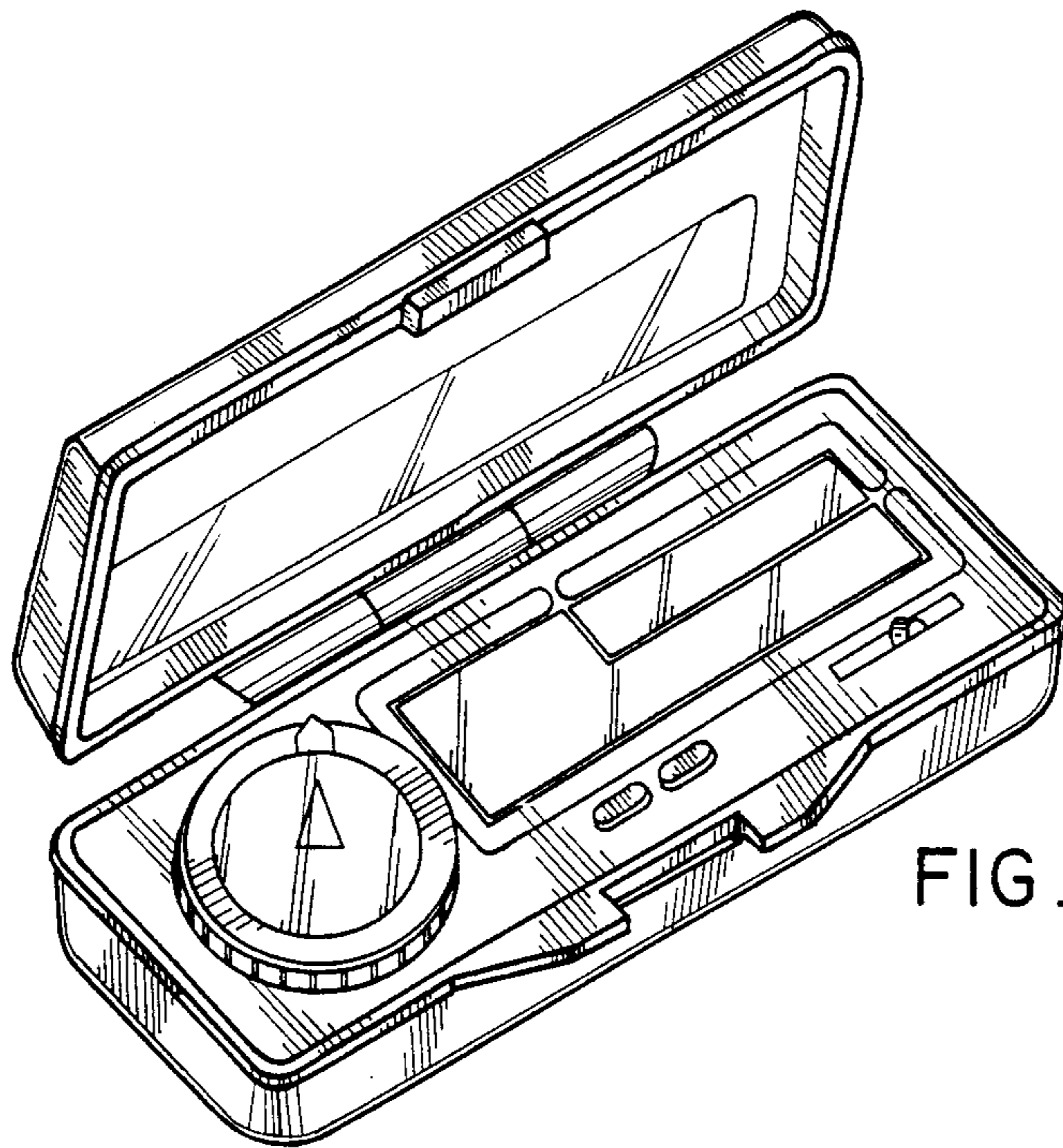


FIG. 1

FIG. 2

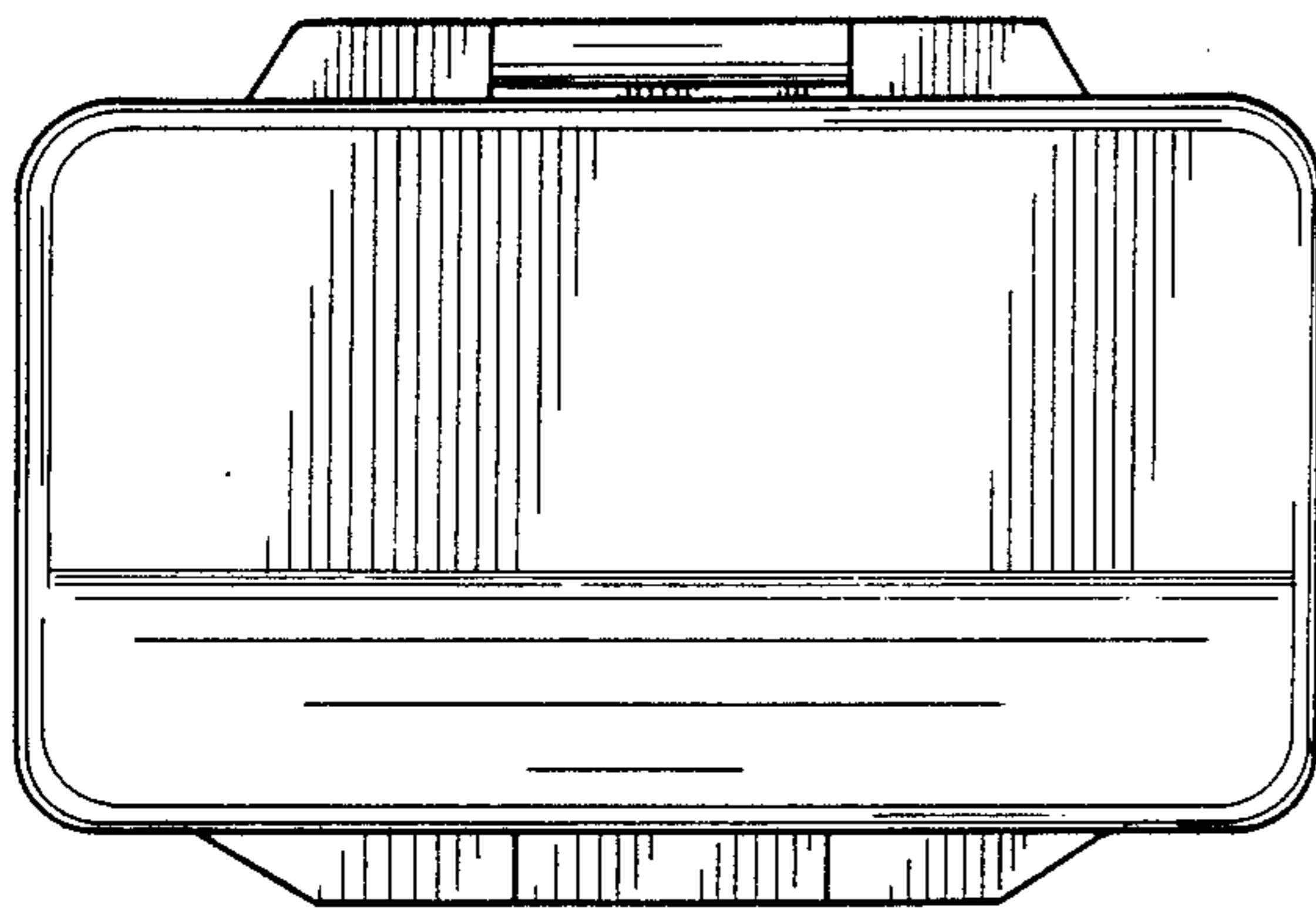


FIG. 4

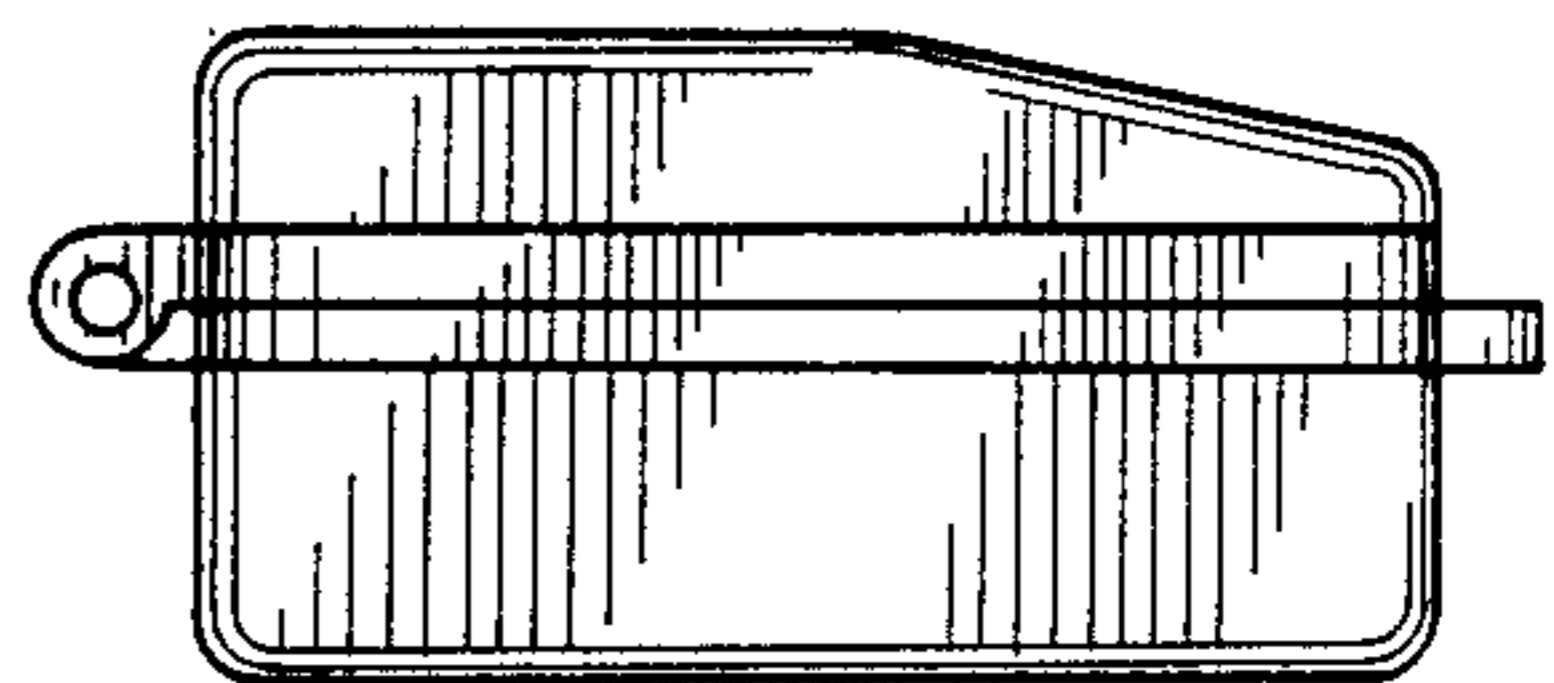


FIG. 5

FIG. 6

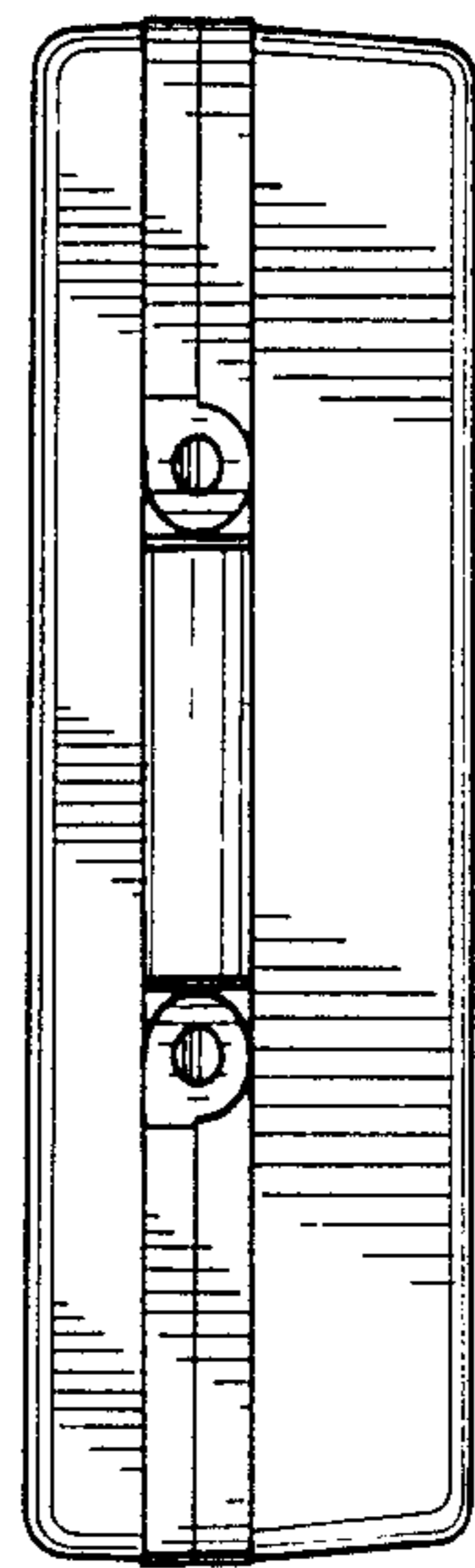
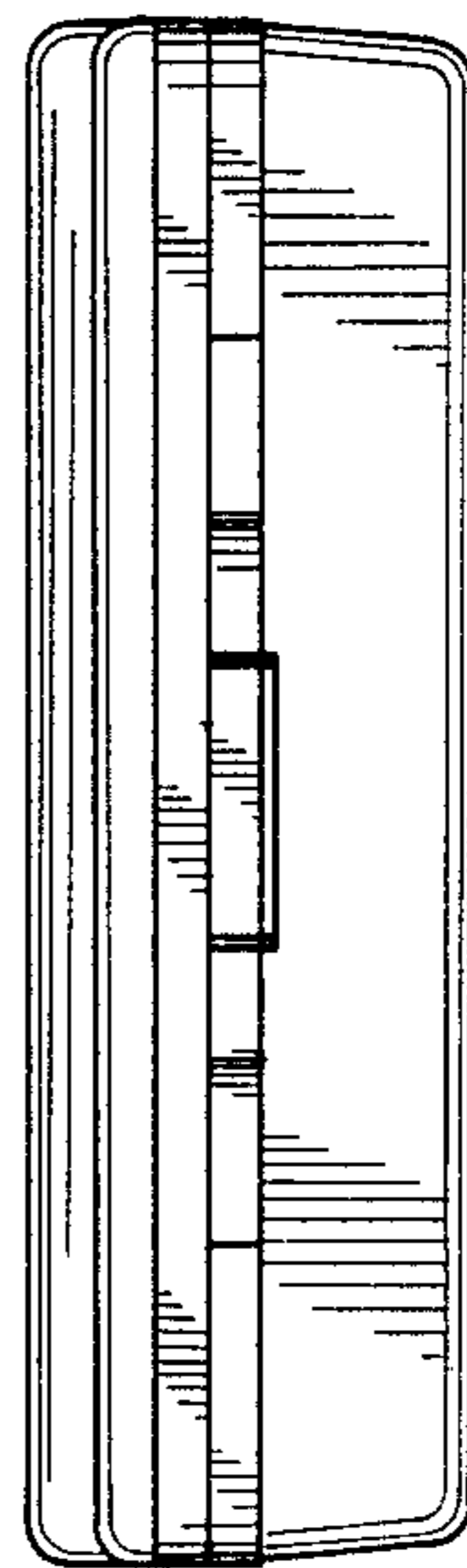
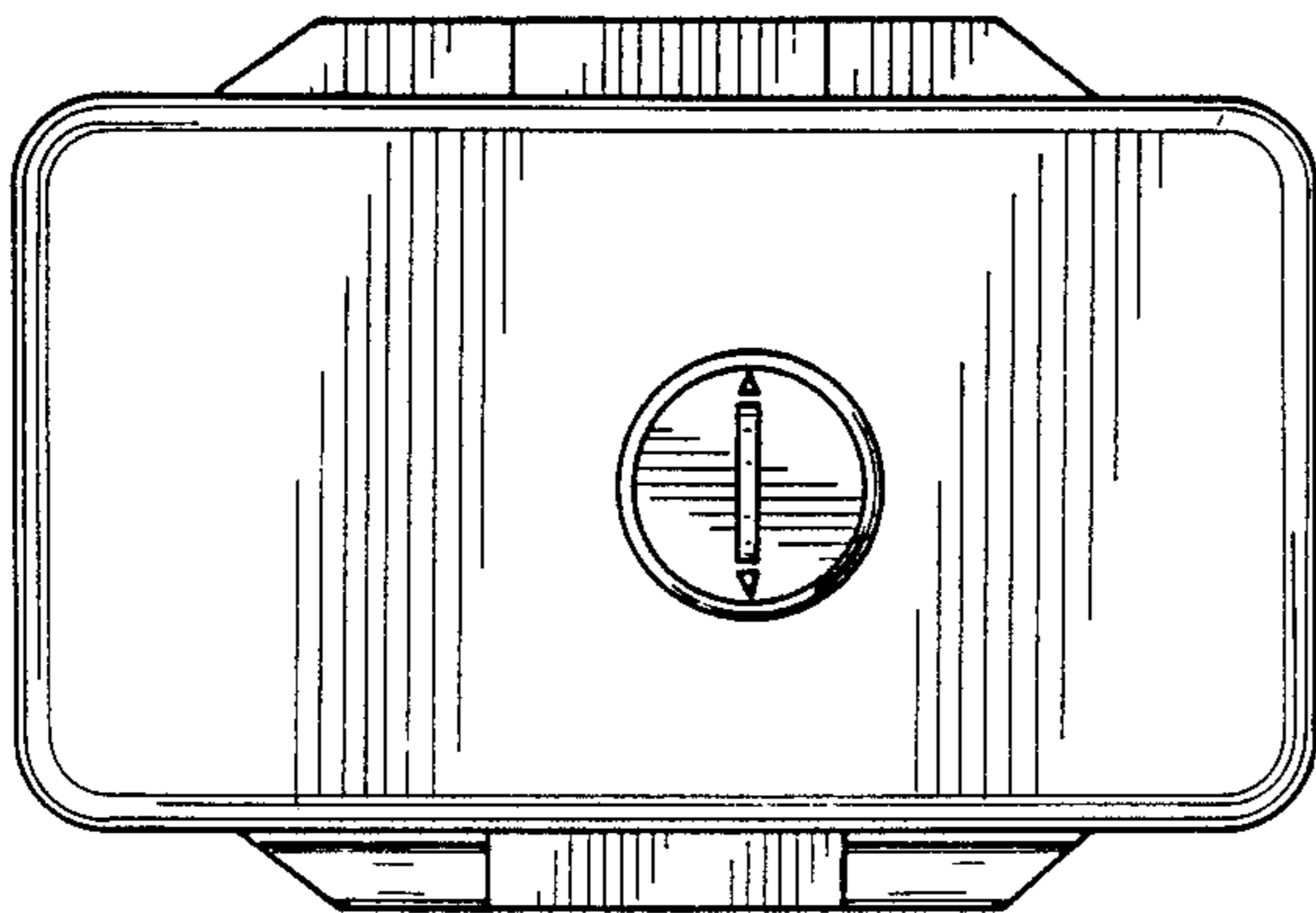


FIG. 3