

[54] TABLE CLOCK

[75] Inventor: Toshiyuki Isobe, Tokyo, Japan

[73] Assignee: Daiwa Enterprise Co., Ltd., Tokyo, Japan

[**] Term: 14 Years

[21] Appl. No.: 55,772

[22] Filed: May 28, 1987

[30] Foreign Application Priority Data

Dec. 17, 1986 [JP] Japan 61-50181

[52] U.S. Cl. D10/15; D10/22

[58] Field of Search D10/1-39,
D10/122-132; 368/80-82, 239-242, 276-277,
285, 280-282

[56] References Cited

U.S. PATENT DOCUMENTS

- D. 223,962 6/1972 McQuarrie D14/169
- D. 237,211 10/1975 Takashima D14/169
- D. 240,270 6/1976 Kawano D10/15 X
- D. 269,534 6/1983 Garth D21/155 X
- D. 271,404 11/1983 Chan D21/155 X
- D. 276,705 12/1984 Oliveri D10/6 X

OTHER PUBLICATIONS

Hong Kong Enterprise—6/84—p. 177—“Radio Time Ball”, at top.

Primary Examiner—Nelson C. Holtje
Attorney, Agent, or Firm—Koda & Androlia

[57] CLAIM

The ornamental design for a table clock, as shown and described.

DESCRIPTION

FIG. 1 is a front elevational view of a table clock showing my new design;

FIG. 2 is a rear elevational view thereof;

FIG. 3 is a left side elevational view thereof;

FIG. 4 is a right side elevational view thereof;

FIG. 5 is a top plan view thereof;

FIG. 6 is a bottom plan view thereof;

FIG. 7 is a front elevational view thereof with the cover removed;

FIG. 8 is a rear elevational view thereof with the cover removed;

FIG. 9 is a left side elevational view thereof with the cover removed;

FIG. 10 is a right side elevational view thereof with the cover removed;

FIG. 11 is a top plan view thereof with the cover removed;

FIG. 12 is a perspective view thereof with the cover opened;

FIG. 13 is a top plan view thereof with the cover removed and having a typical time indication shown.

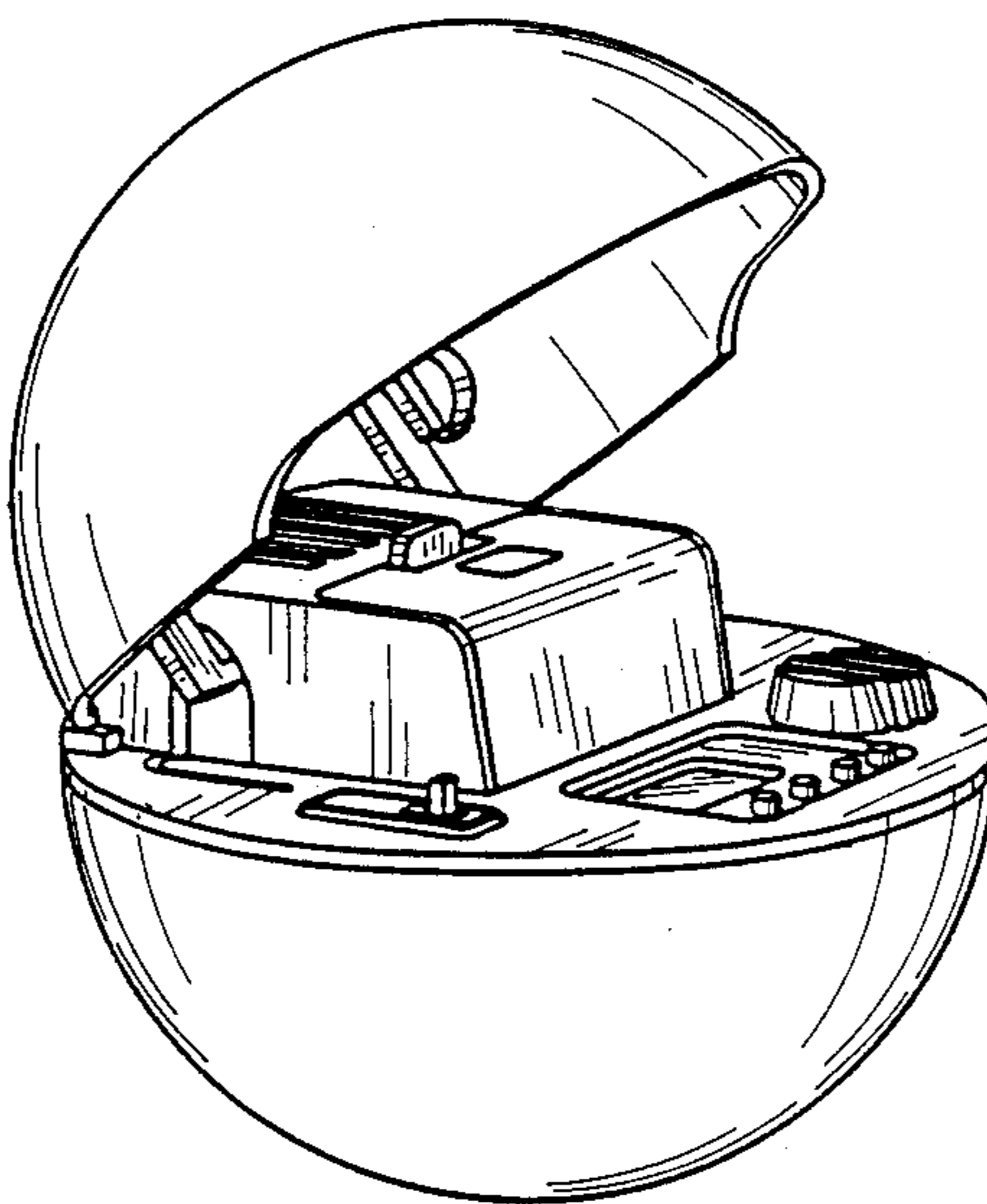


FIG. 6

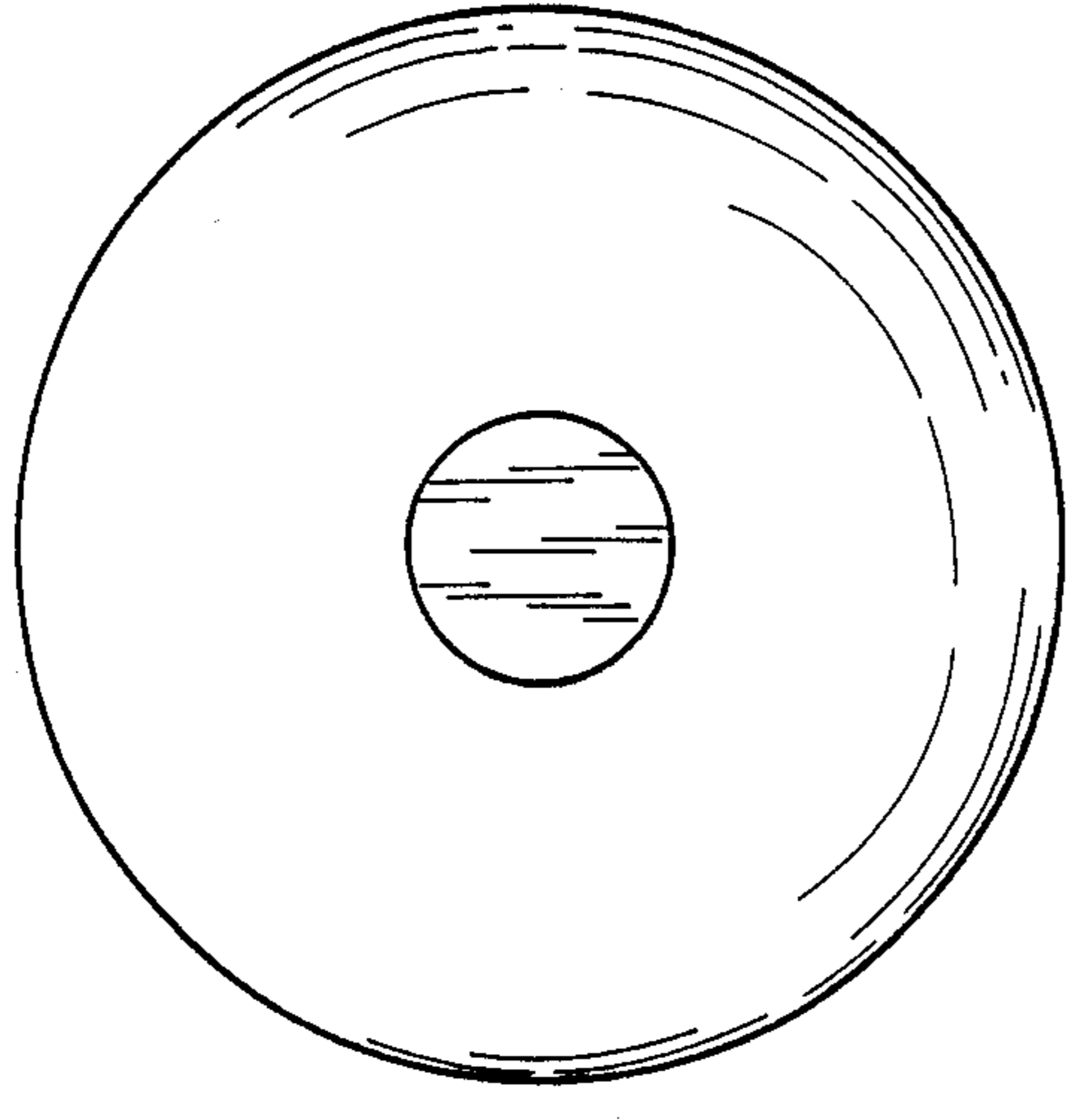


FIG. 4

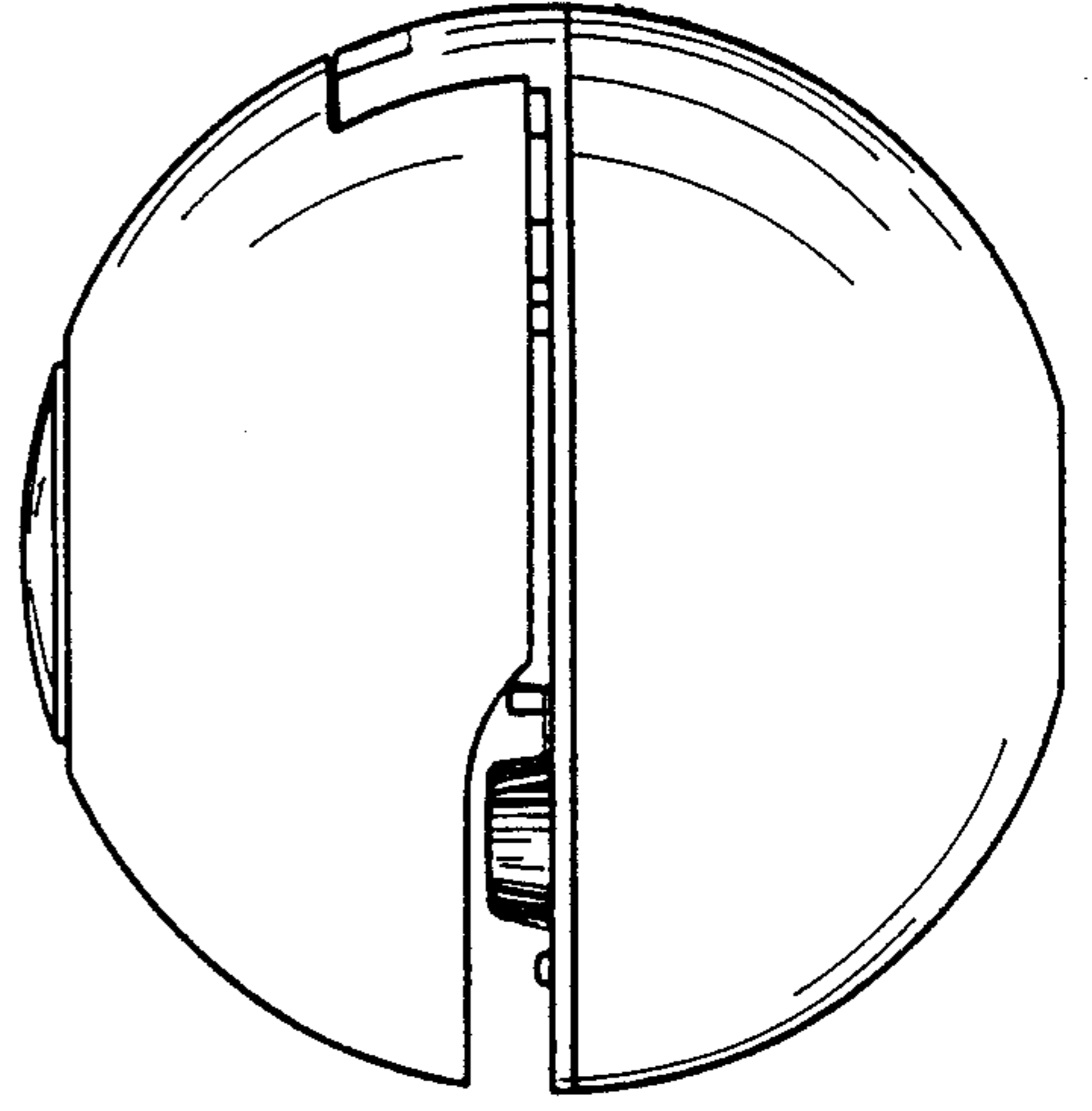


FIG. 5

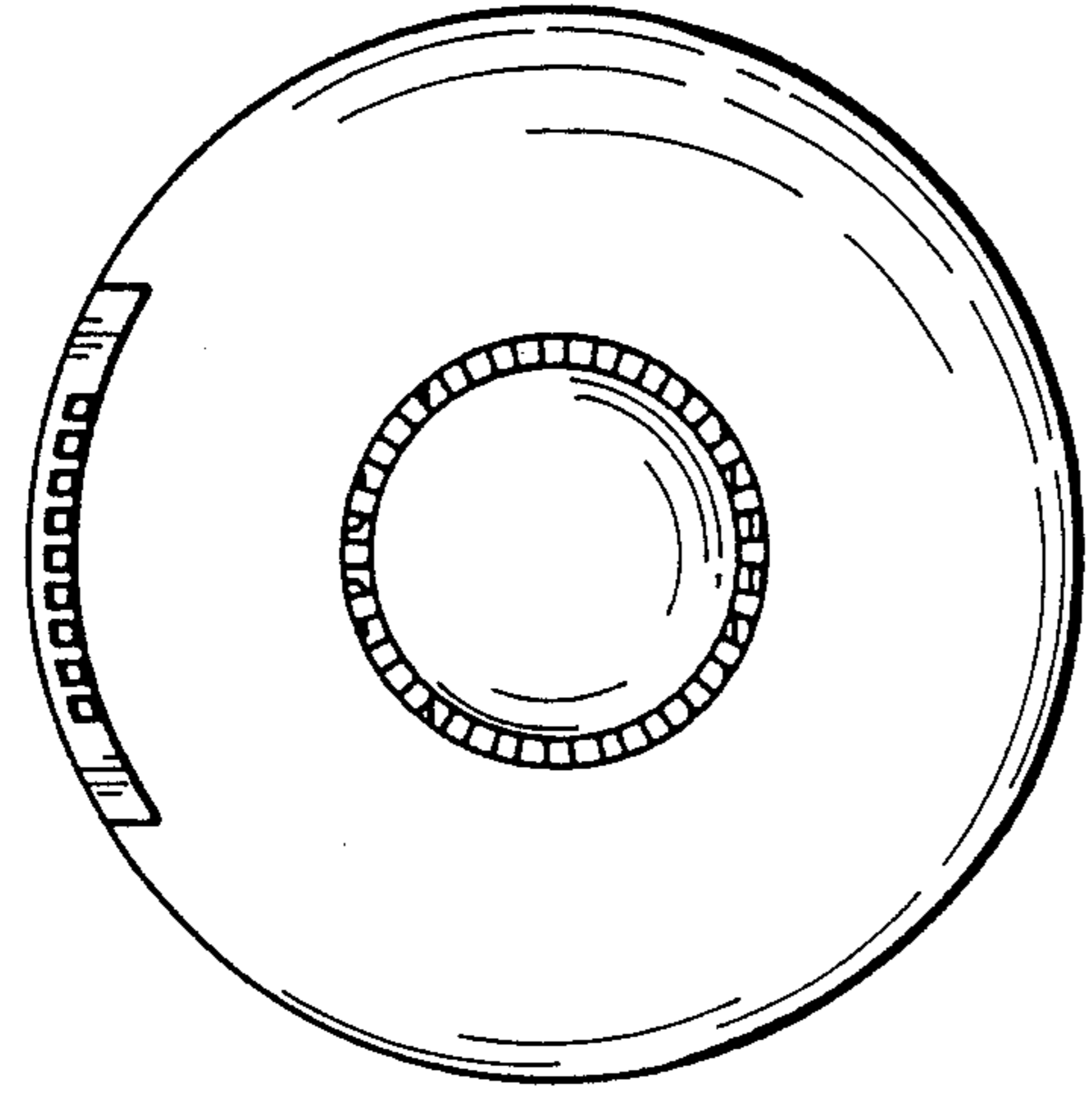


FIG. 1

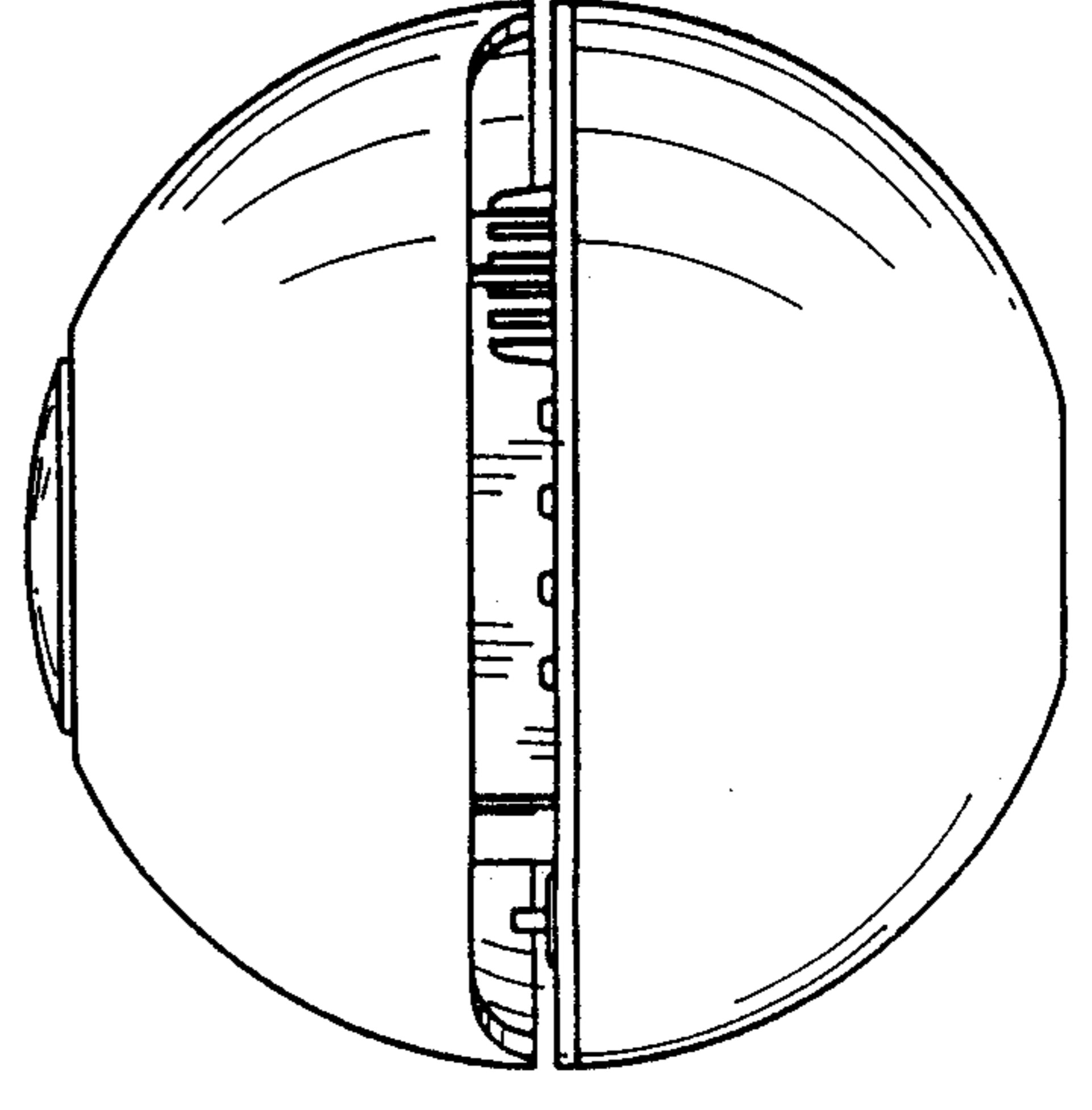


FIG. 2

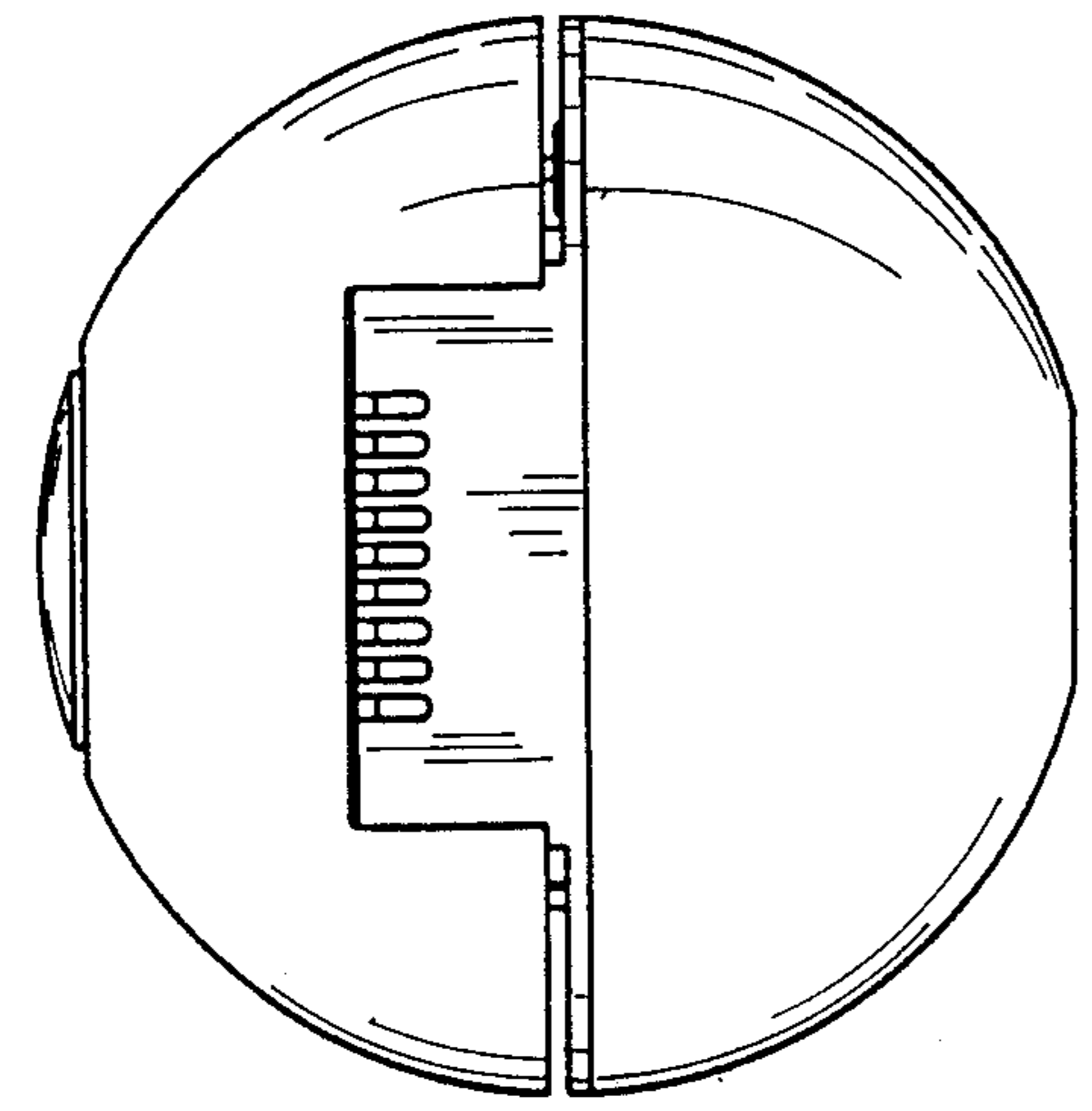


FIG. 3

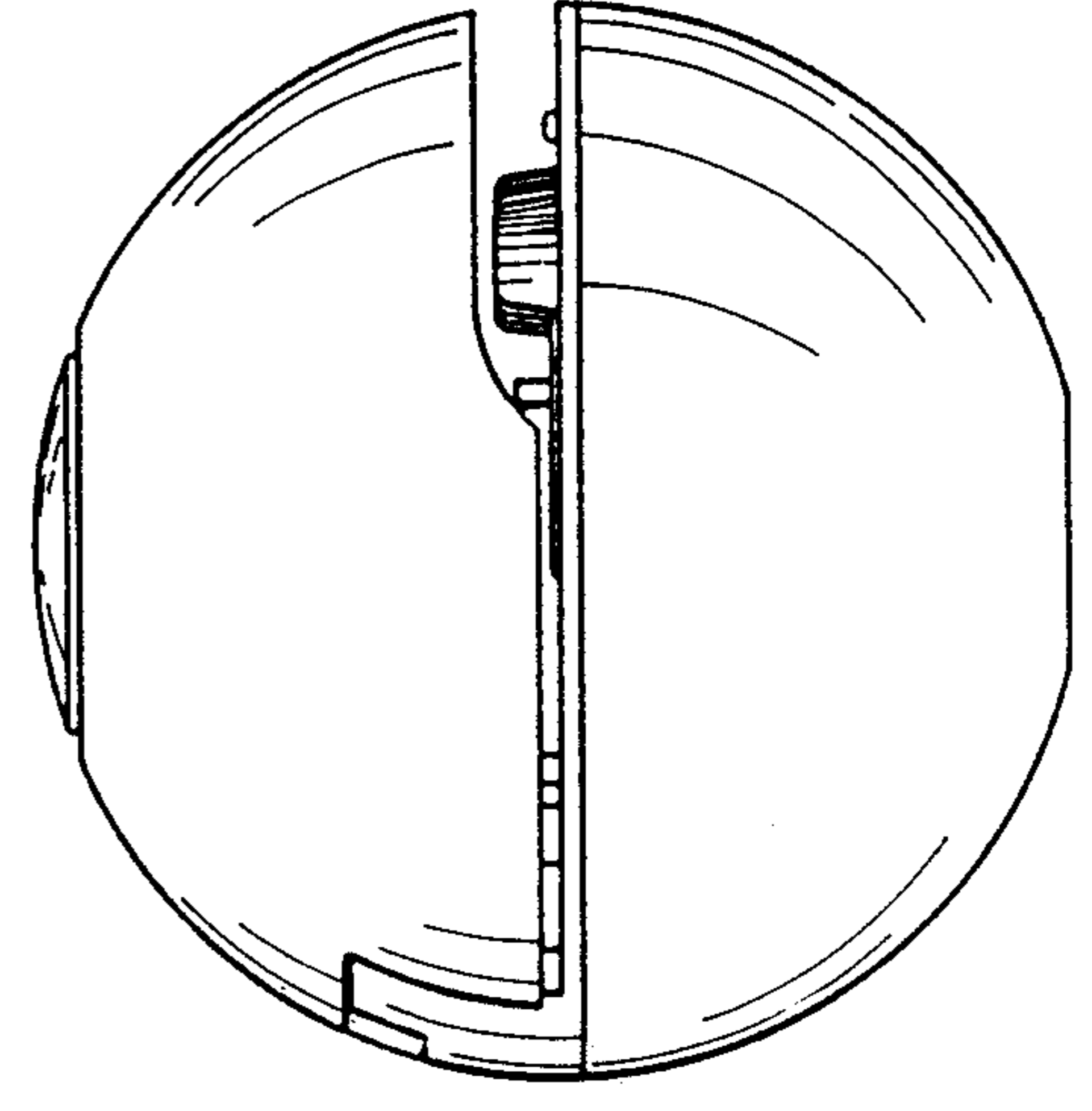


FIG. 11

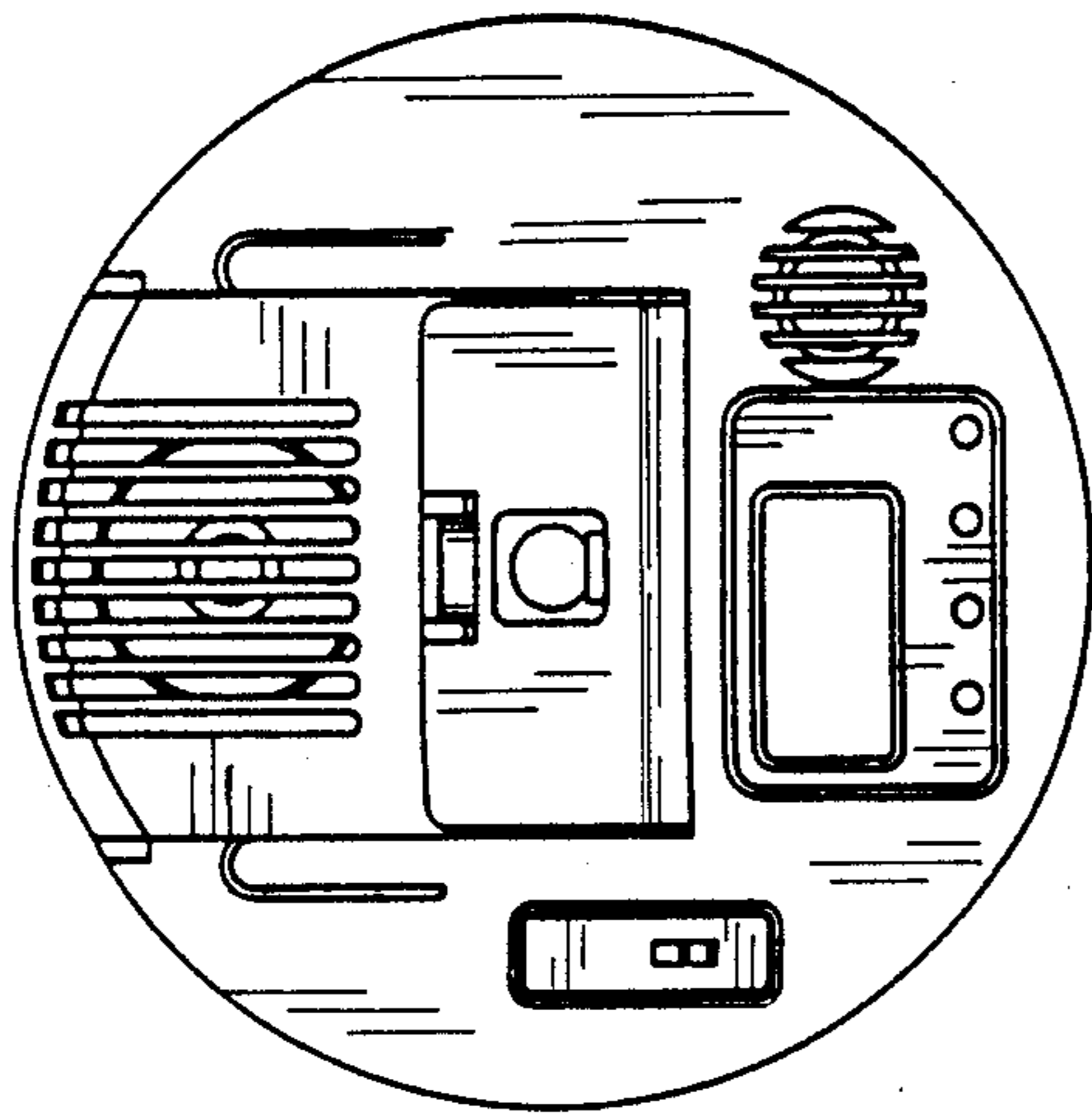


FIG. 8

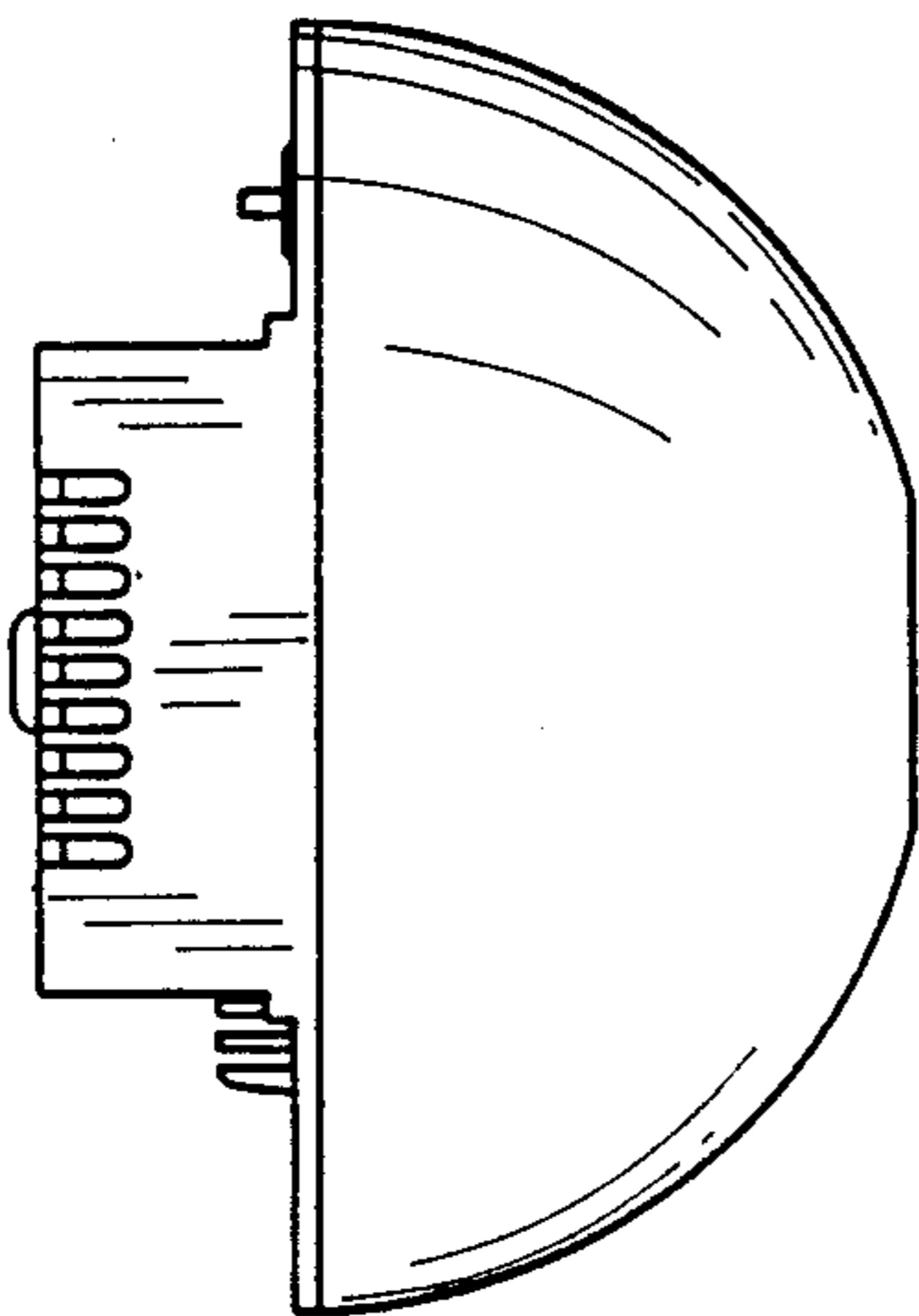


FIG. 7

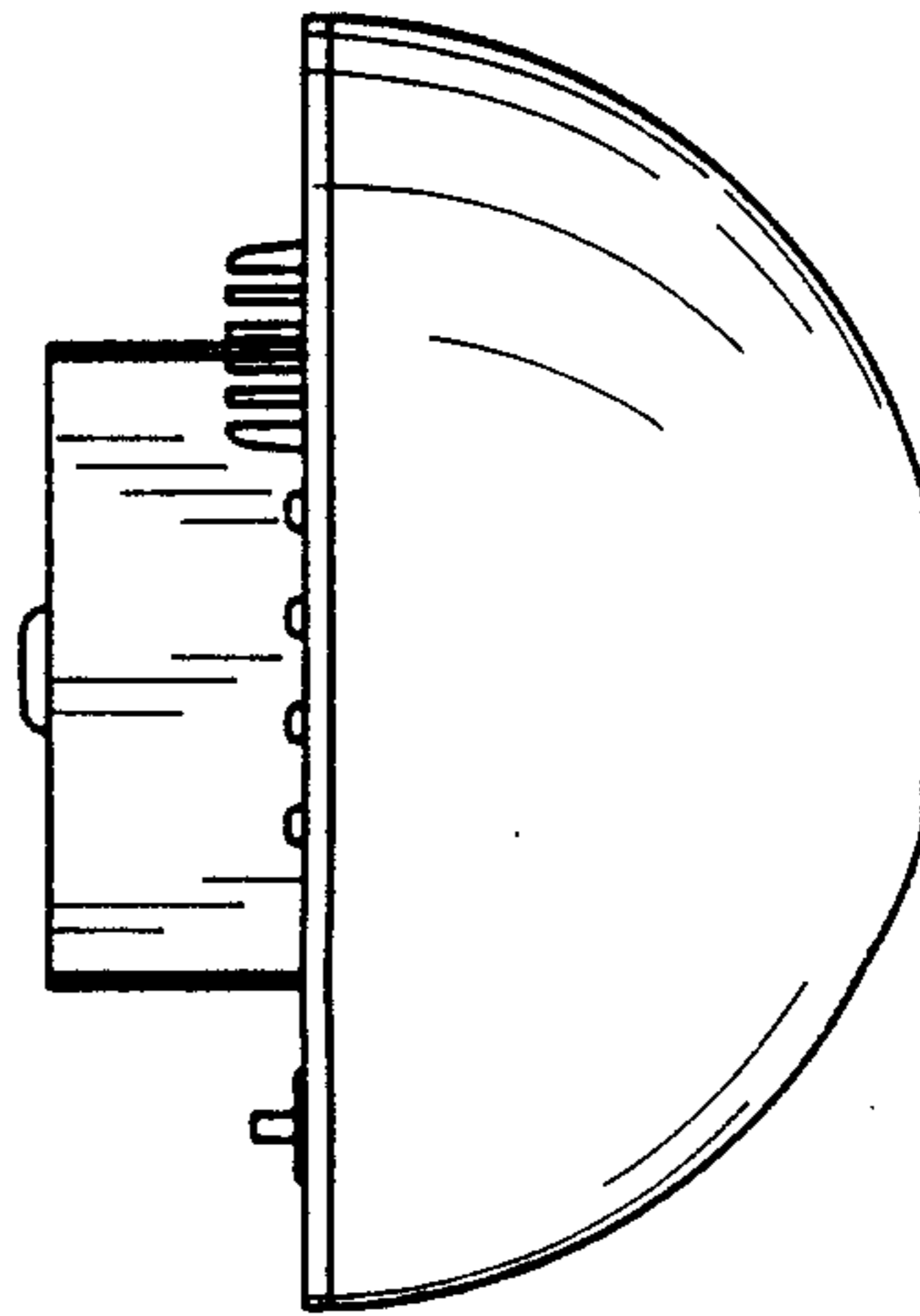


FIG. 9

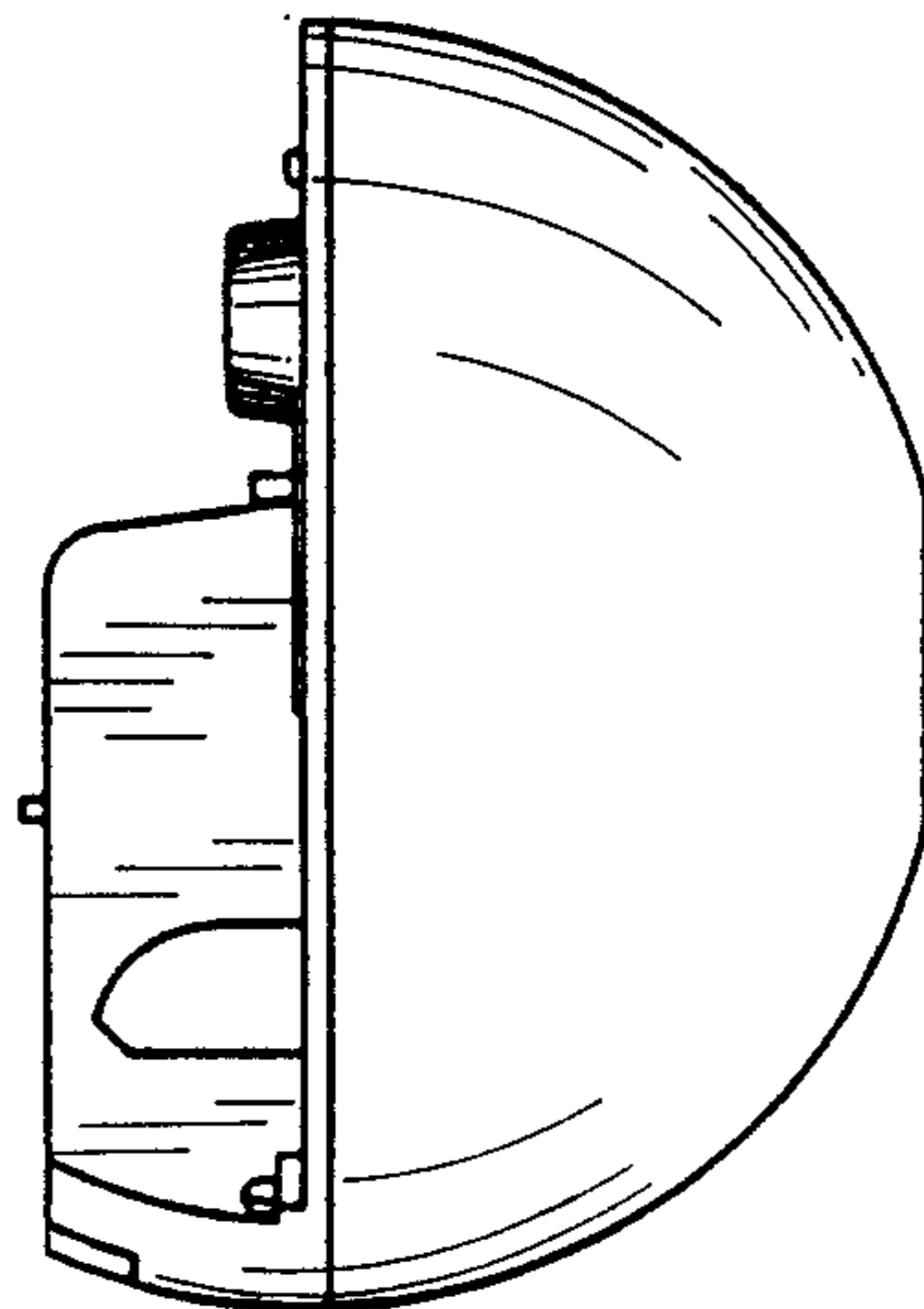


FIG. 10

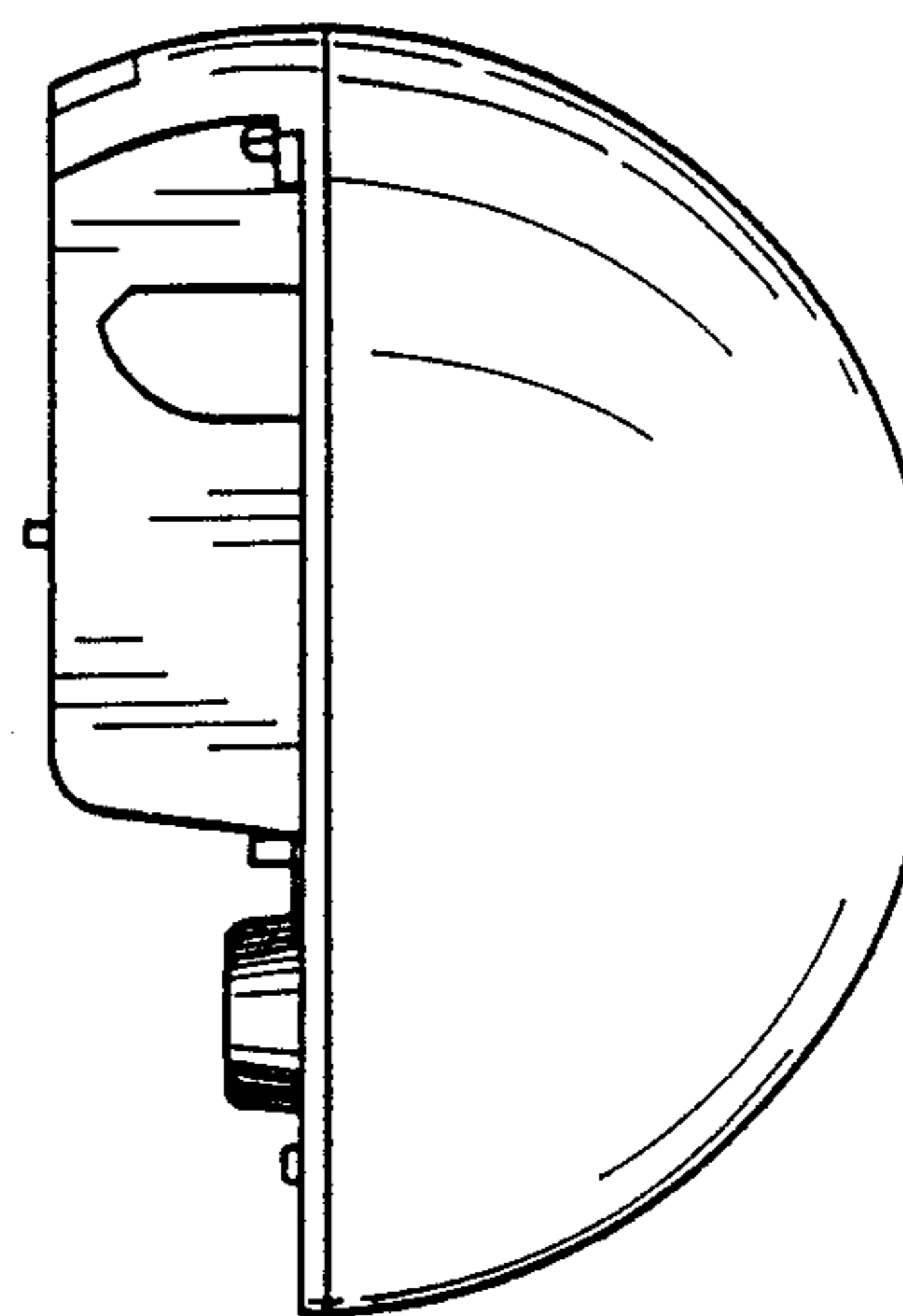


FIG. 13

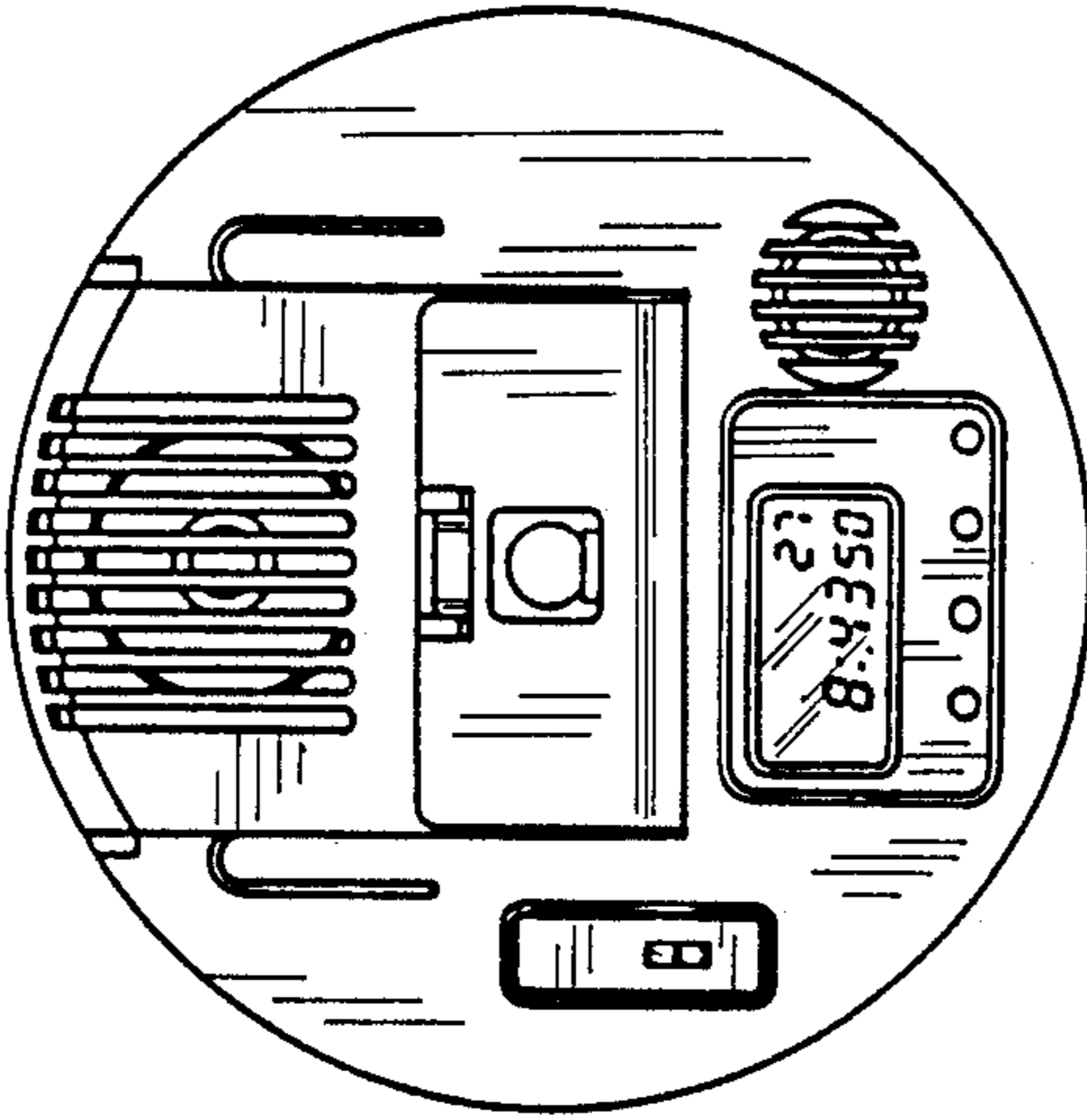


FIG. 12

