

[54] DISPLAY BOX

[75] Inventor: Patrice Thuin, Noisy le Grand, France

[73] Assignee: Embadac, Morlaas, France

[**] Term: 14 Years

[21] Appl. No.: 34,145

[22] Filed: Apr. 7, 1987

[30] Foreign Application Priority Data

Oct. 24, 1986 [FR] France 86 5582

[52] U.S. Cl. D9/432

[58] Field of Search D9/414—433, D9/456, 346; D3/74, 30.1, 33, 42, 70, 75, 76; 206/524, 426, 523, 44 R, 581, 316.1, 553, 564; 220/4 B, 23.83

[56] References Cited

U.S. PATENT DOCUMENTS

- D. 174,454 4/1955 King D9/423
- D. 256,522 8/1980 Peterson D3/74
- 2,467,545 4/1949 Young D9/423 X

- 2,694,485 11/1954 Naken 206/553 X
- 2,735,610 2/1956 Young D9/423 X
- 3,164,284 1/1965 Bergh et al. 220/4 B
- 4,093,010 6/1978 Hunley et al. 206/523 X
- 4,106,597 8/1978 Shook et al. 206/523 X
- 4,294,349 10/1981 Ibsen et al. 206/523 X
- 4,591,056 5/1986 Groeh 220/23.83

Primary Examiner—Bernard Ansher
Assistant Examiner—Prabhakar Deshmukh
Attorney, Agent, or Firm—Young & Thompson

[57] CLAIM

The ornamental design for the display box, as shown and described.

DESCRIPTION

FIG. 1 is a top plan view of a display box showing my new design;
FIG. 2 is a front elevation thereof;
FIG. 3 is a left side elevation thereof;
FIG. 4 is a right side elevation thereof;
FIG. 5 is a bottom plan view thereof;
FIG. 6 is a rear side elevation thereof; and
FIG. 7 is a perspective view thereof, in open position.

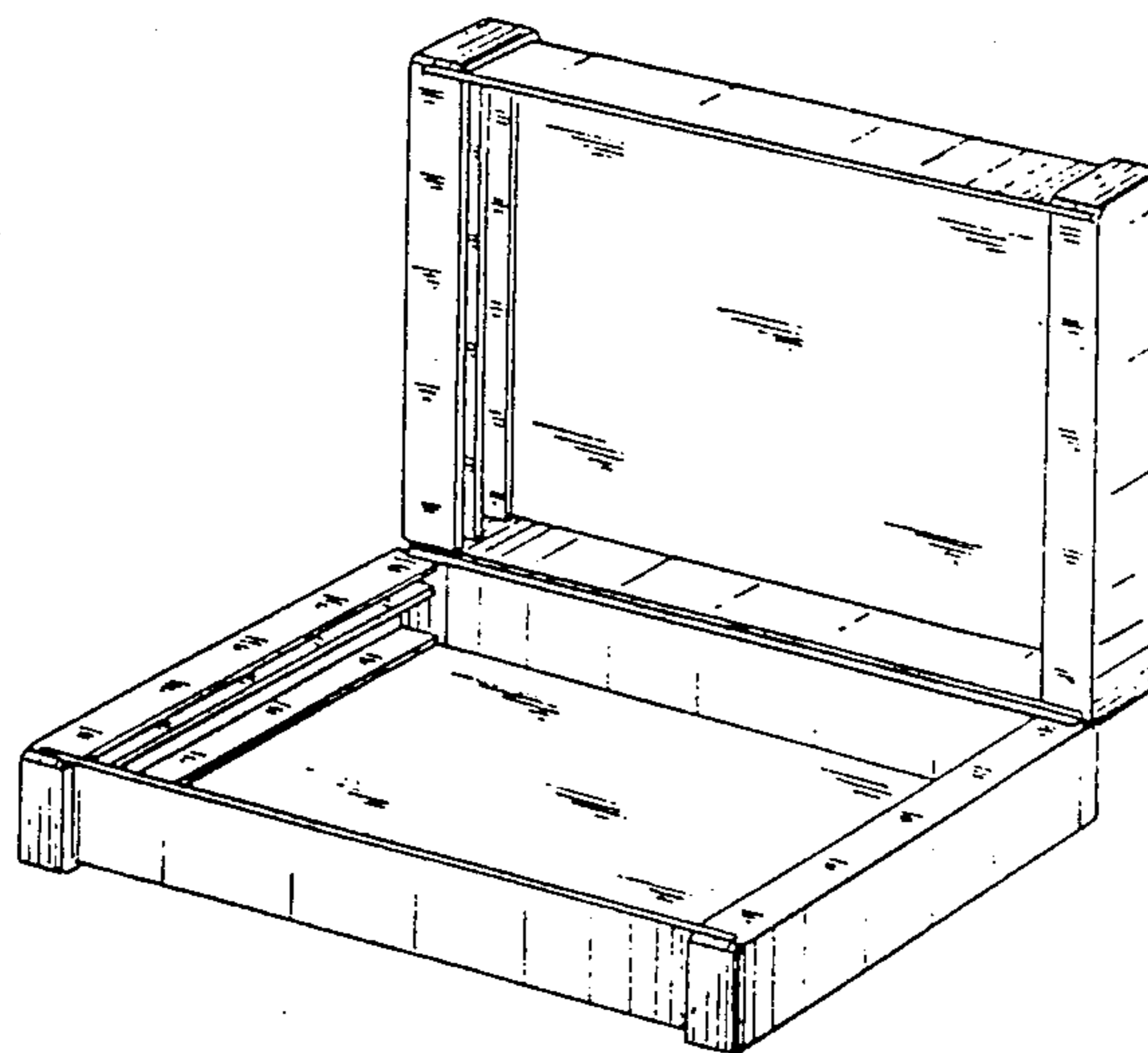


FIG. 1

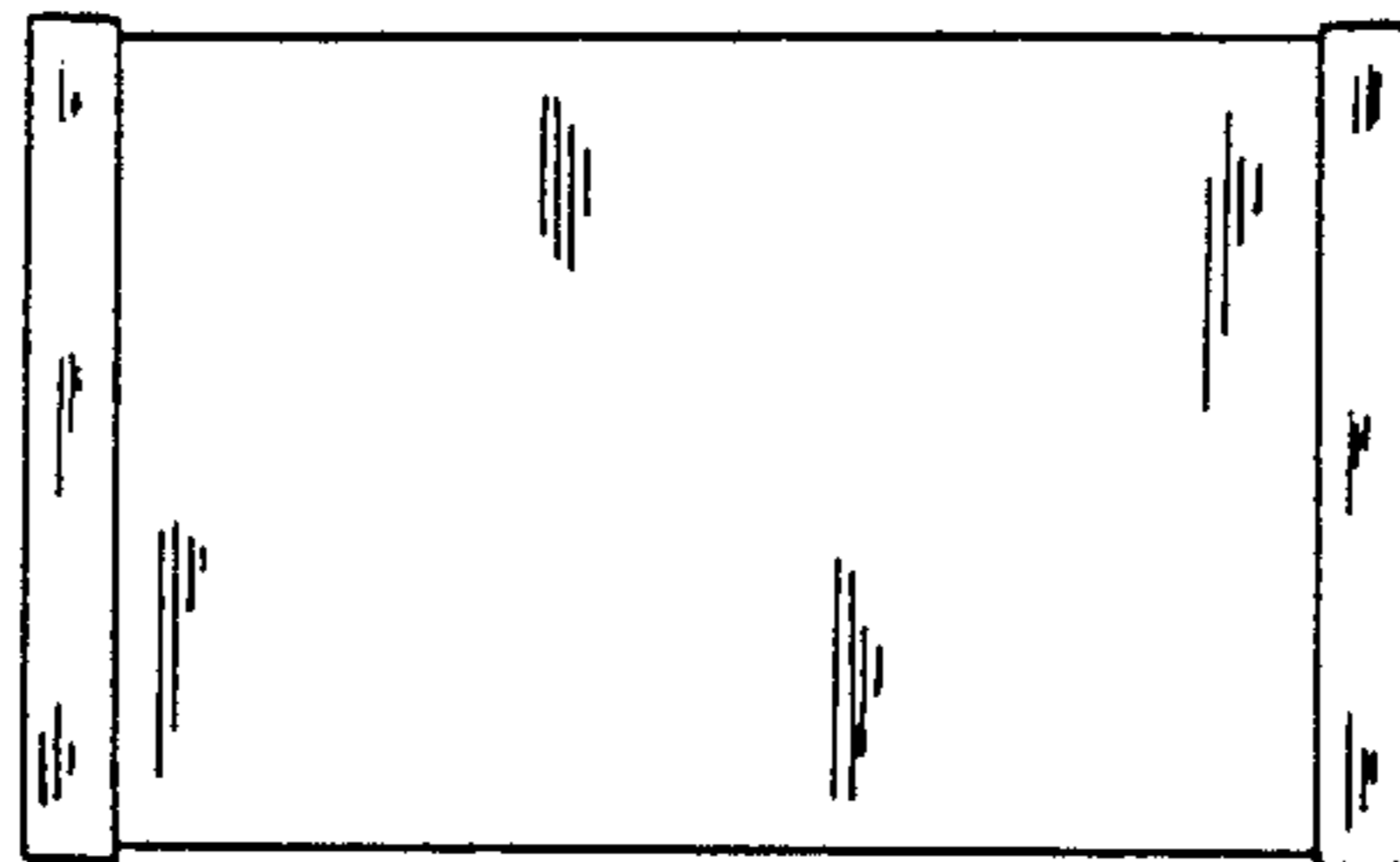


FIG. 3

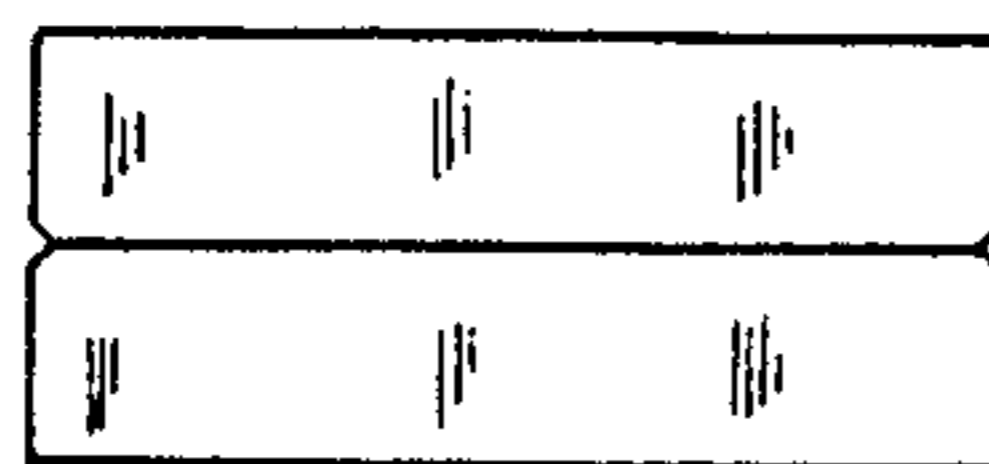


FIG. 2

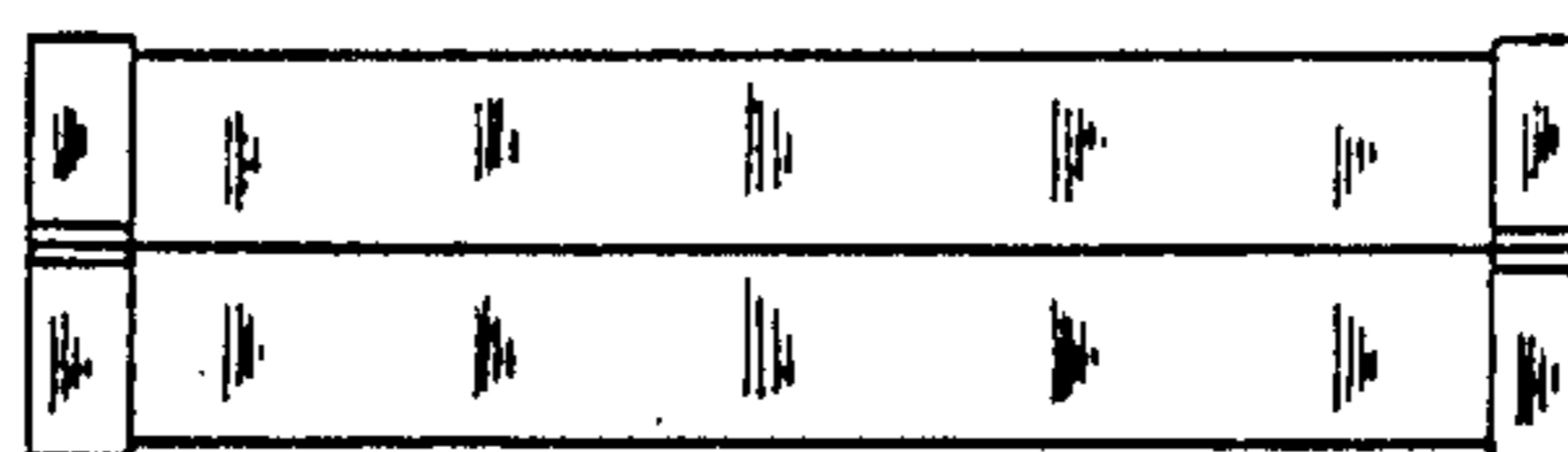


FIG. 4

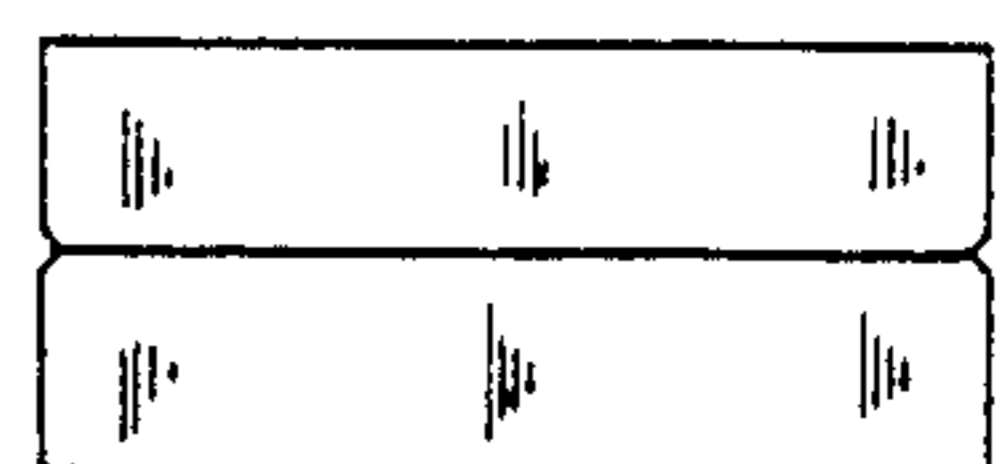


FIG. 5

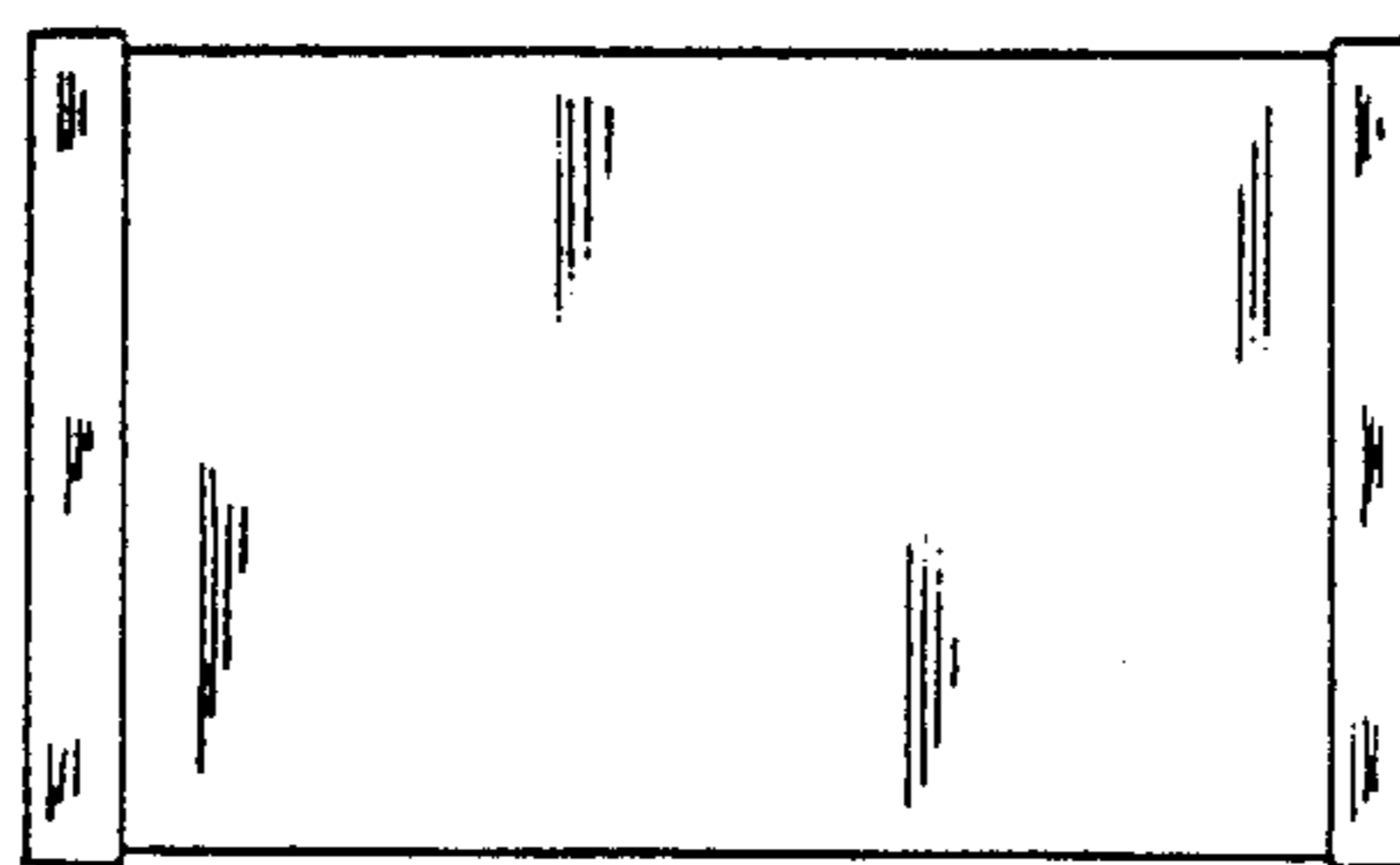


FIG. 6

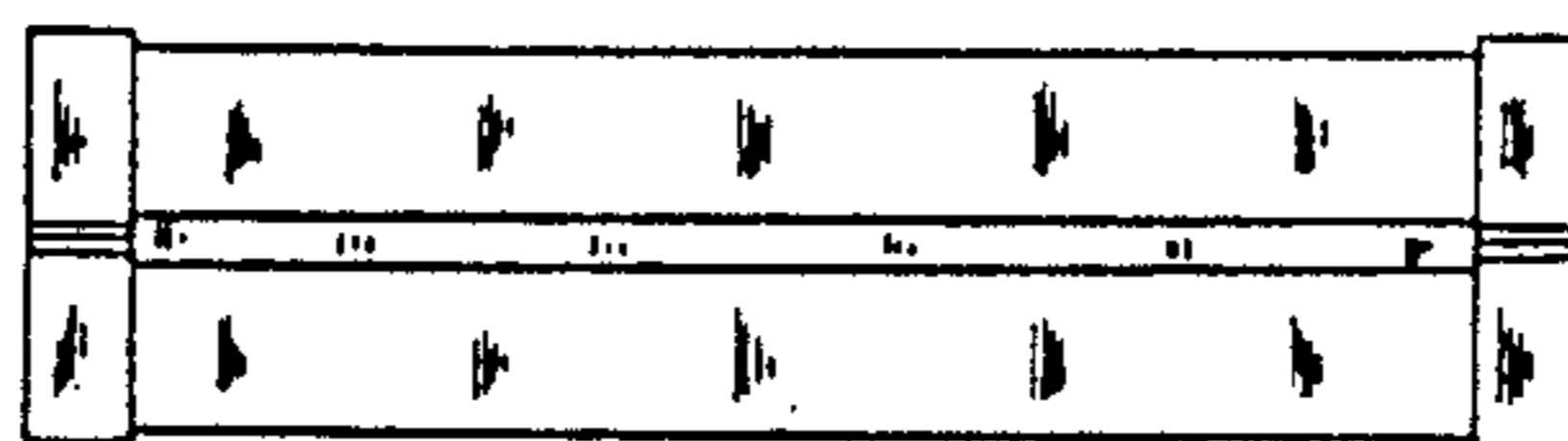


FIG. 7

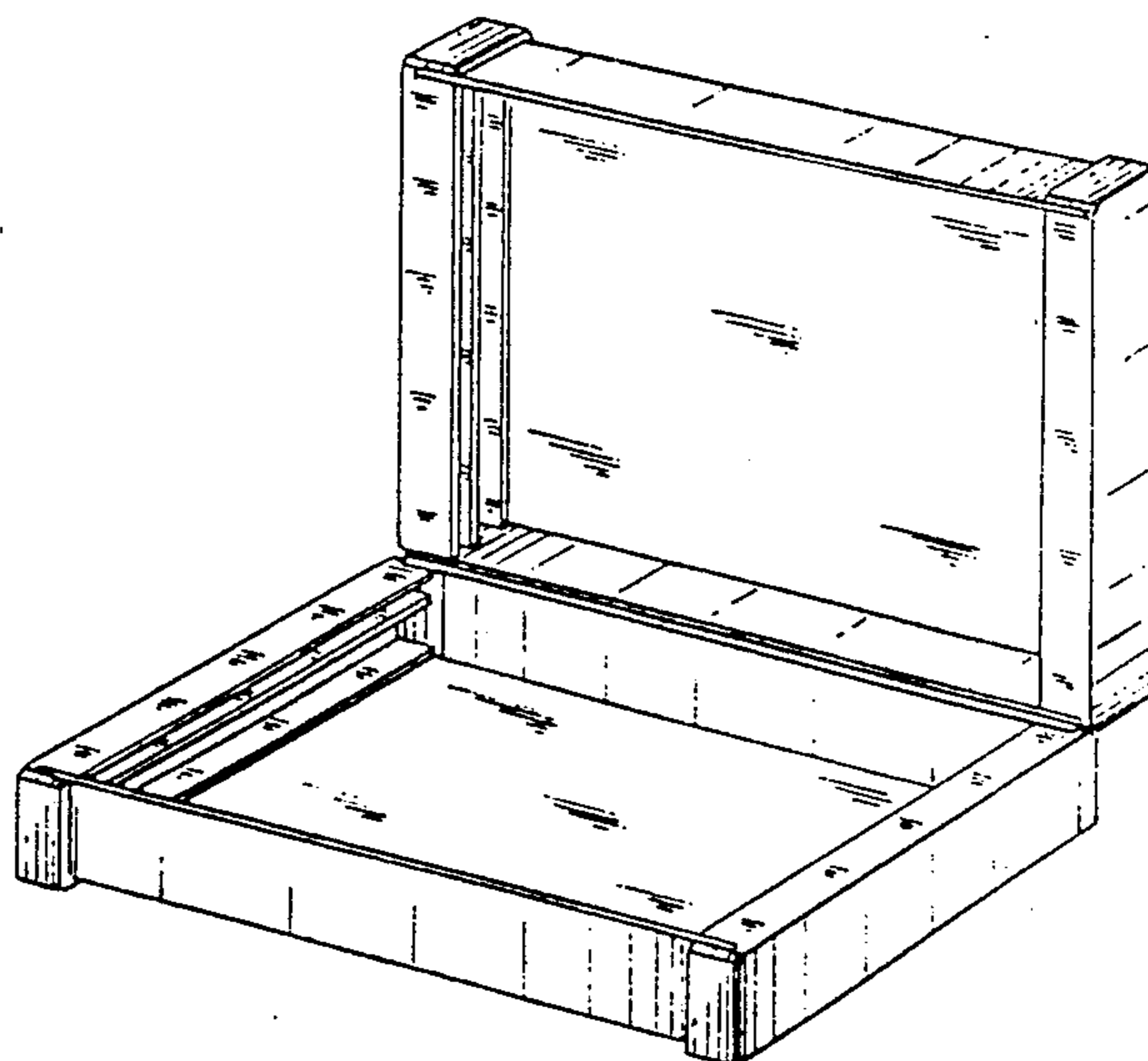


FIG. 8

