

[54] **DIRECTIONAL INDICATING CLAMP**

[76] Inventor: **Clifford Clement**, 193 High St.,
Somerset, Mass. 02726

[**] Term: **14 Years**

[21] Appl. No.: **163,876**

[22] Filed: **Mar. 4, 1988**

[52] U.S. Cl. **D8/395; D8/396**

[58] Field of Search **D8/394-396;**
116/205, 264, 265, DIG. 17; 48/316; 24/546,
549, 550, 563; 248/74.2

[56] **References Cited**

U.S. PATENT DOCUMENTS

D. 27,360	7/1897	Small	D8/395
D. 304,667	11/1989	Hutton	D8/395
1,540,320	6/1925	Everett et al.	40/316
1,895,656	1/1933	Gadke	248/229
2,667,074	1/1954	Whitehill	.	
3,367,370	2/1968	Sherlock	.	
4,080,087	3/1978	Phillips	.	

FOREIGN PATENT DOCUMENTS

1027818 4/1966 United Kingdom 40/316

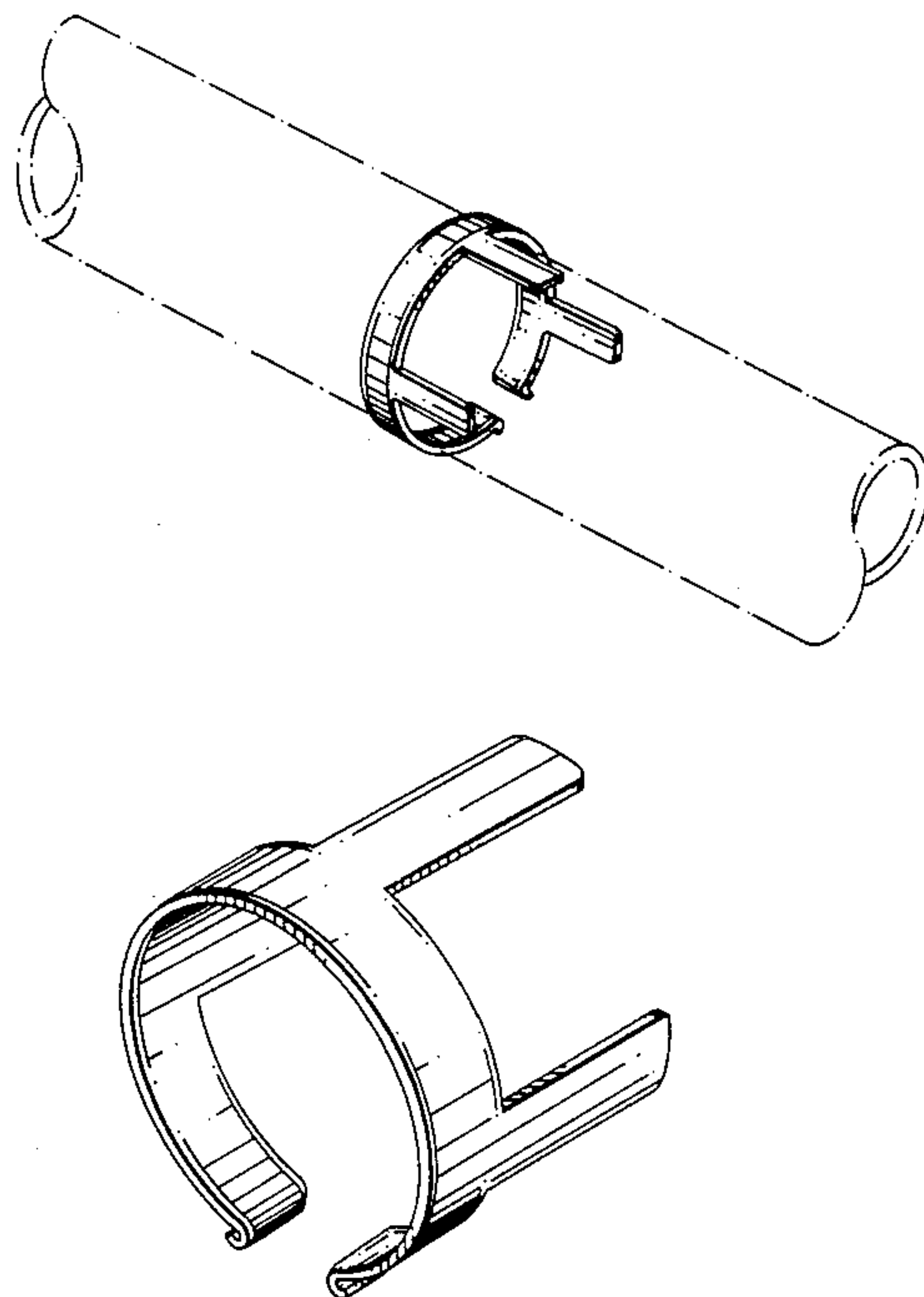
Primary Examiner—B. J. Bullock
Attorney, Agent, or Firm—J. Michael McClanahan

[57] **CLAIM**

The ornamental design for direction indicating clamp,
as shown and described.

DESCRIPTION

FIG. 1 is a rear perspective view of a direction indicat-
ing clamp showing my new design, the portion of a hose
being shown in broken lines for illustrative purposes
only;
FIG. 2 is an enlarged front perspective view thereof;
FIG. 3 is an enlarged bottom plan view thereof;
FIG. 4 is an enlarged top plan view thereof;
FIG. 5 is an enlarged right side elevational view
thereof, the left side being a mirror image;
FIG. 6 is an enlarged rear elevational view thereof;
FIG. 7 is an enlarged front elevational view thereof.



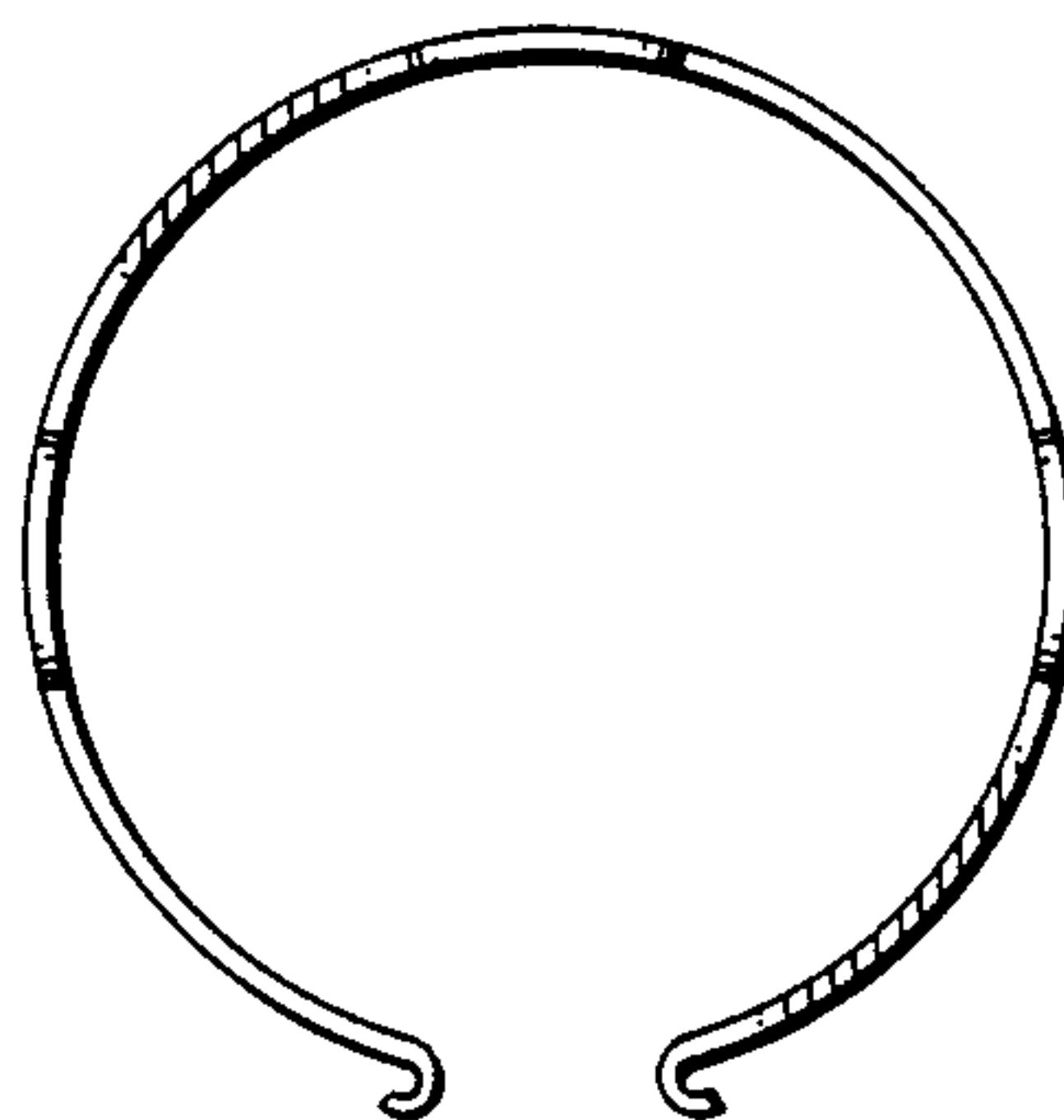
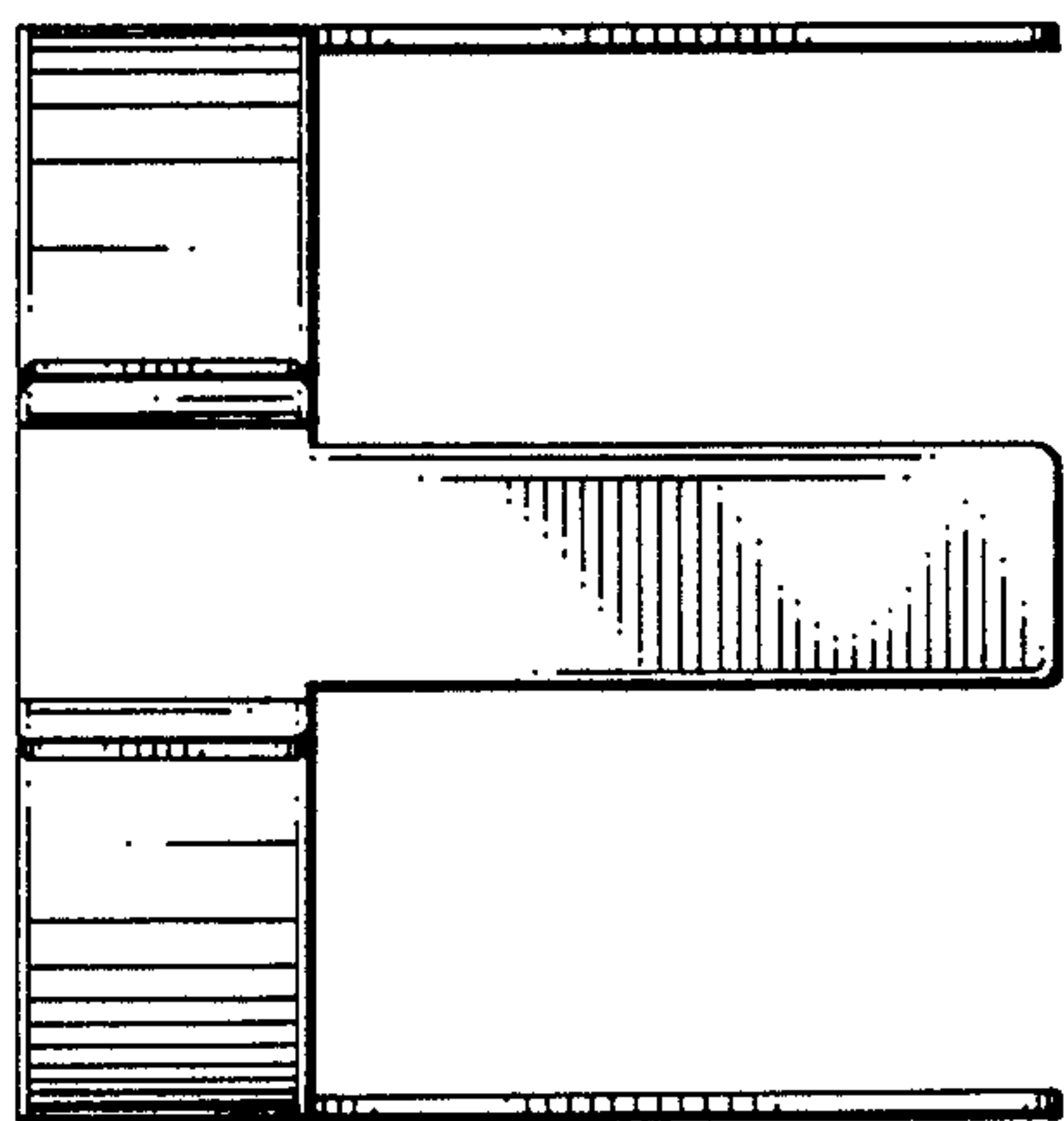
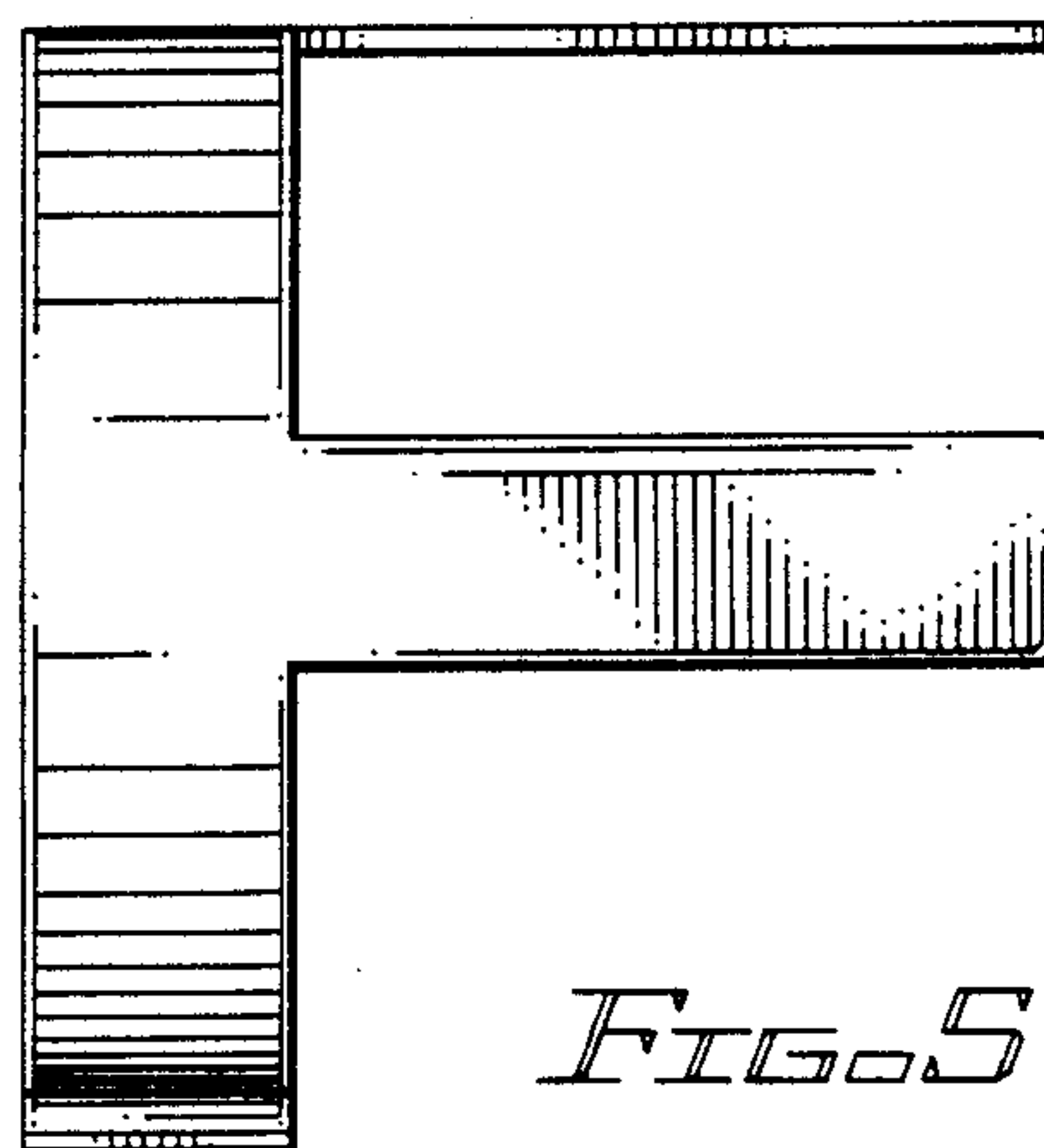
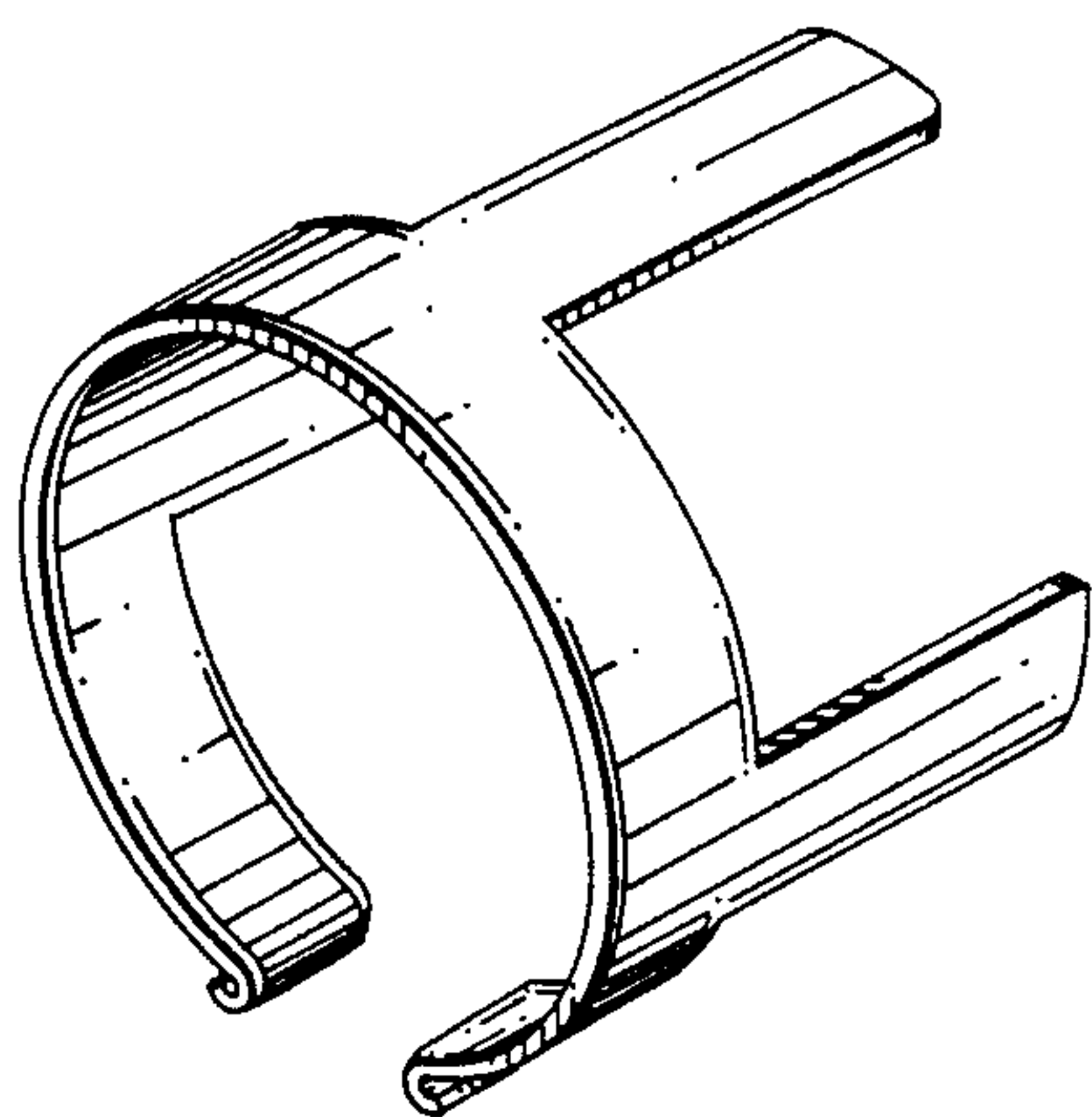
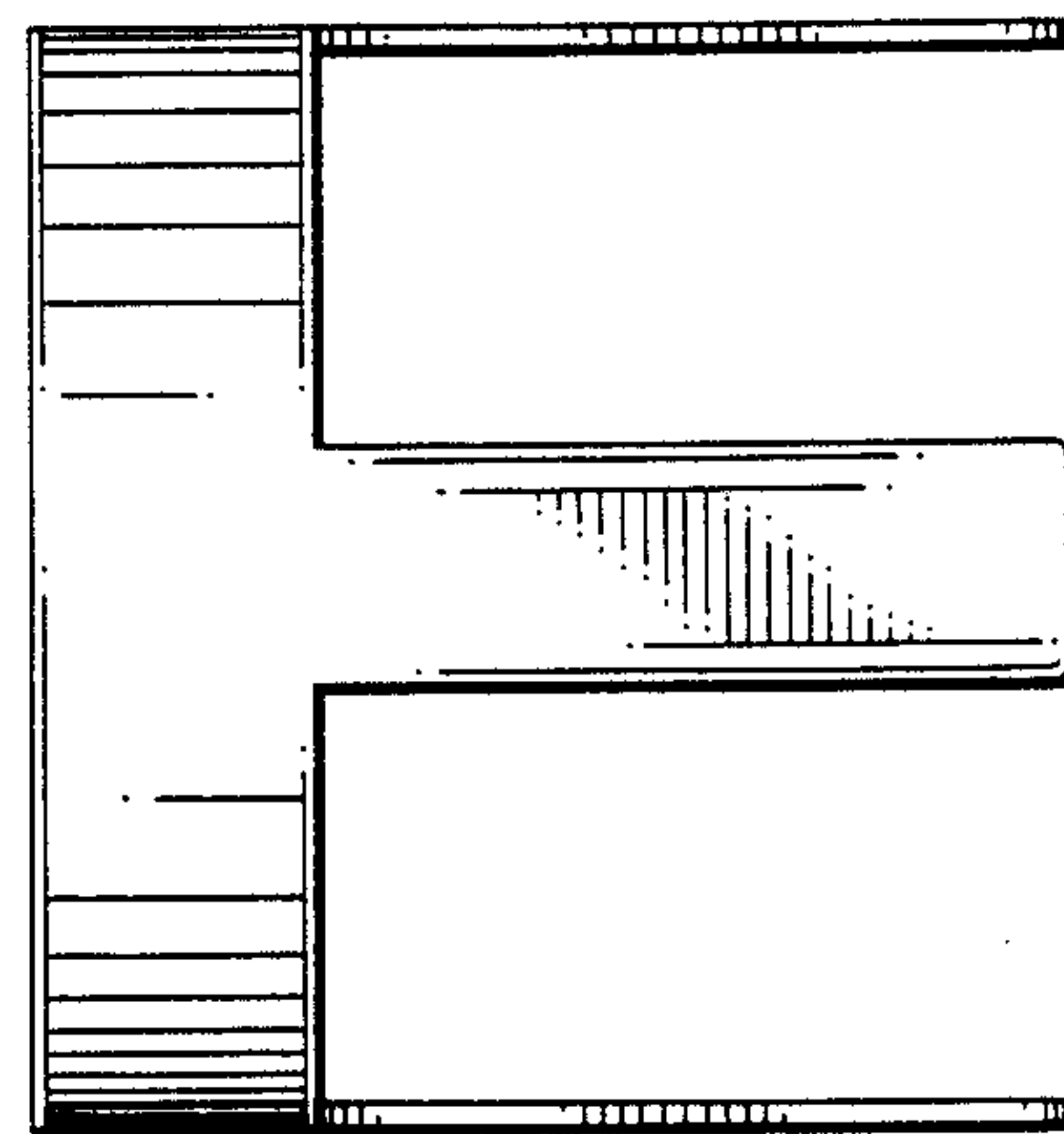
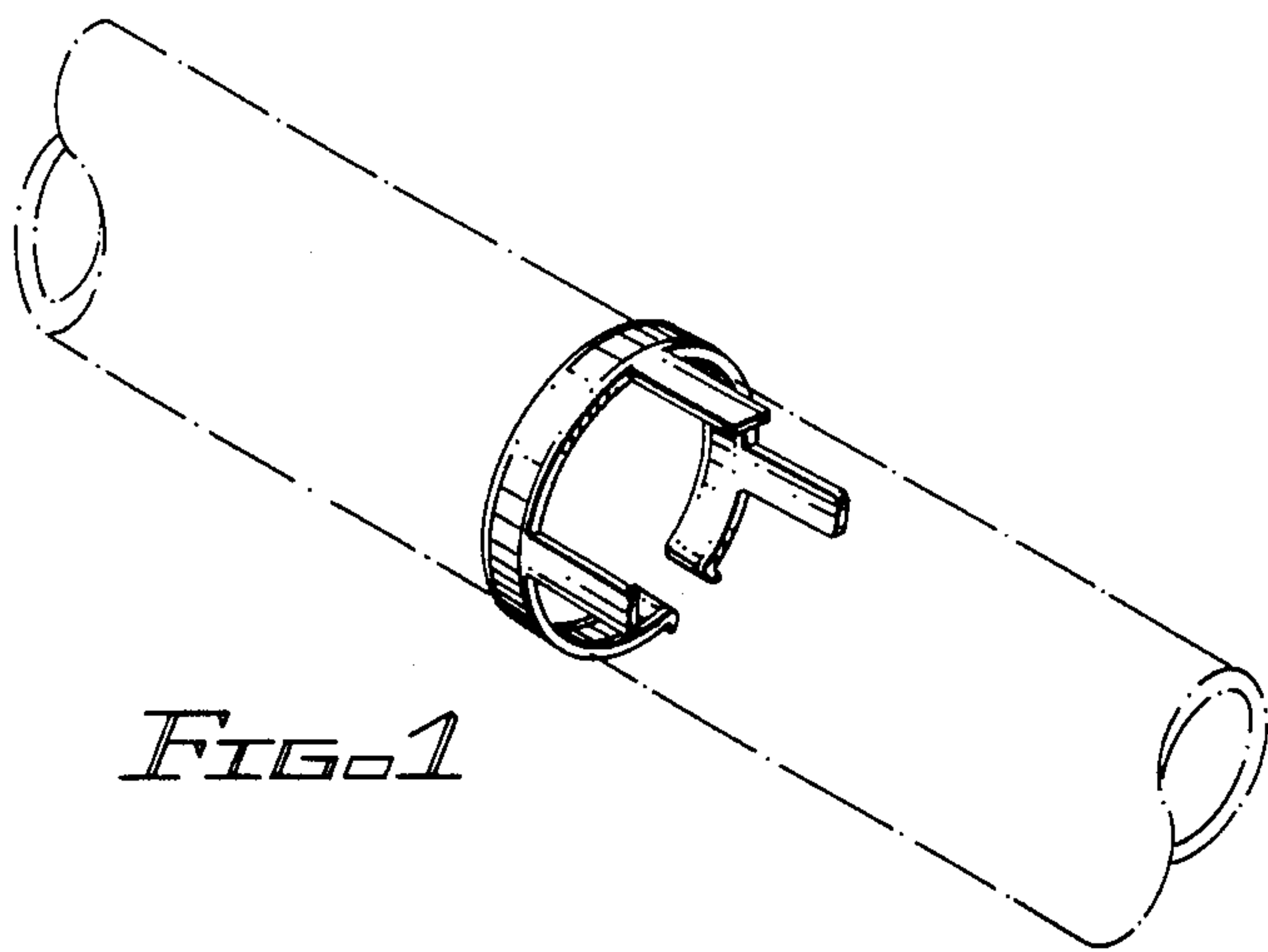


FIG. 6

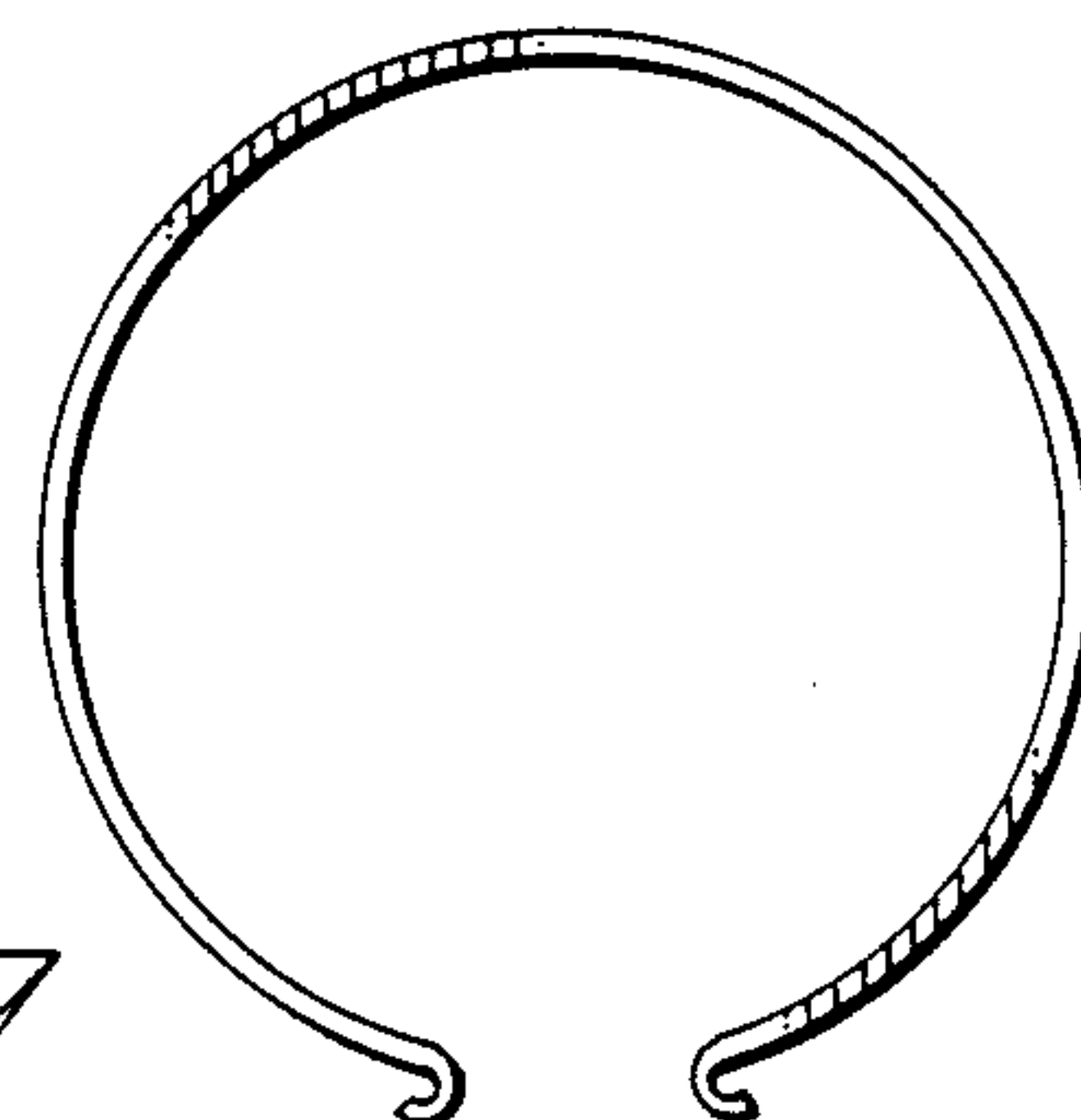


FIG. 7