

[54] VENTILATED SHELF REINFORCING BRACE

[75] Inventor: Lee Remmers, Ocala, Fla.

[73] Assignee: Clairson International, Ocala, Fla.

[**] Term: 14 Years

[21] Appl. No.: 53,465

[22] Filed: May 26, 1987

[52] U.S. Cl. D8/381

[58] Field of Search D8/380, 381; 211/126, 211/182, 191; 248/243, 250, 235, 248

[56] References Cited

U.S. PATENT DOCUMENTS

719,060	1/1903	Thomas .	
815,060	5/1906	Beebe .	
914,639	3/1909	Cormeny .	
2,850,172	5/1956	Beckner .	
2,933,195	4/1960	Radek .	
2,998,886	9/1961	Sides .	
3,194,528	7/1965	Chesley	248/250
3,294,351	12/1966	Rollins, Jr.	248/243

3,321,089	5/1967	Krikorian .	
3,329,281	8/1965	Bali .	
3,730,108	5/1973	Stroh	248/243
4,064,994	12/1977	Ondrasik .	
4,250,815	2/1981	Swanson	248/243
4,533,056	8/1985	Krikorian .	
4,624,376	11/1986	Bertram .	

Primary Examiner—Wallace R. Burke
Assistant Examiner—Marcus Jackson
Attorney, Agent, or Firm—Cushman Darby & Cushman

[57] CLAIM

The ornamental design for a ventilated shelf reinforcing brace, as shown and described.

DESCRIPTION

FIG. 1 is a perspective view of a ventilated shelf reinforcing brace showing my new design, with the broken lines shown for illustrative purposes only and forming no part of the claimed design;
FIG. 2 is an enlarged left side elevational view, with the opposite side being a mirror image thereof;
FIG. 3 is an enlarged top plan view thereof; and
FIG. 4 is an enlarged rear elevational view thereof.

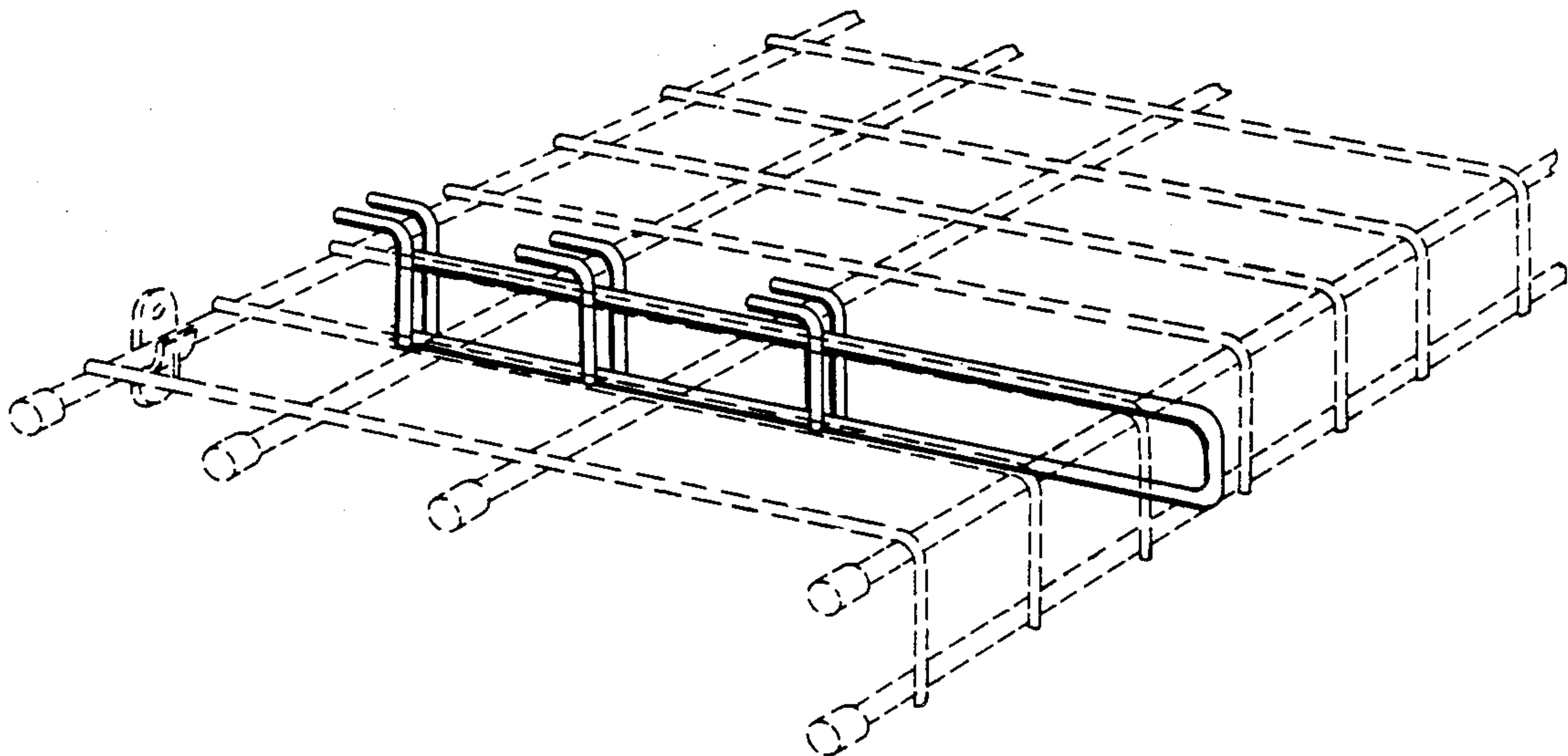


FIG. 1

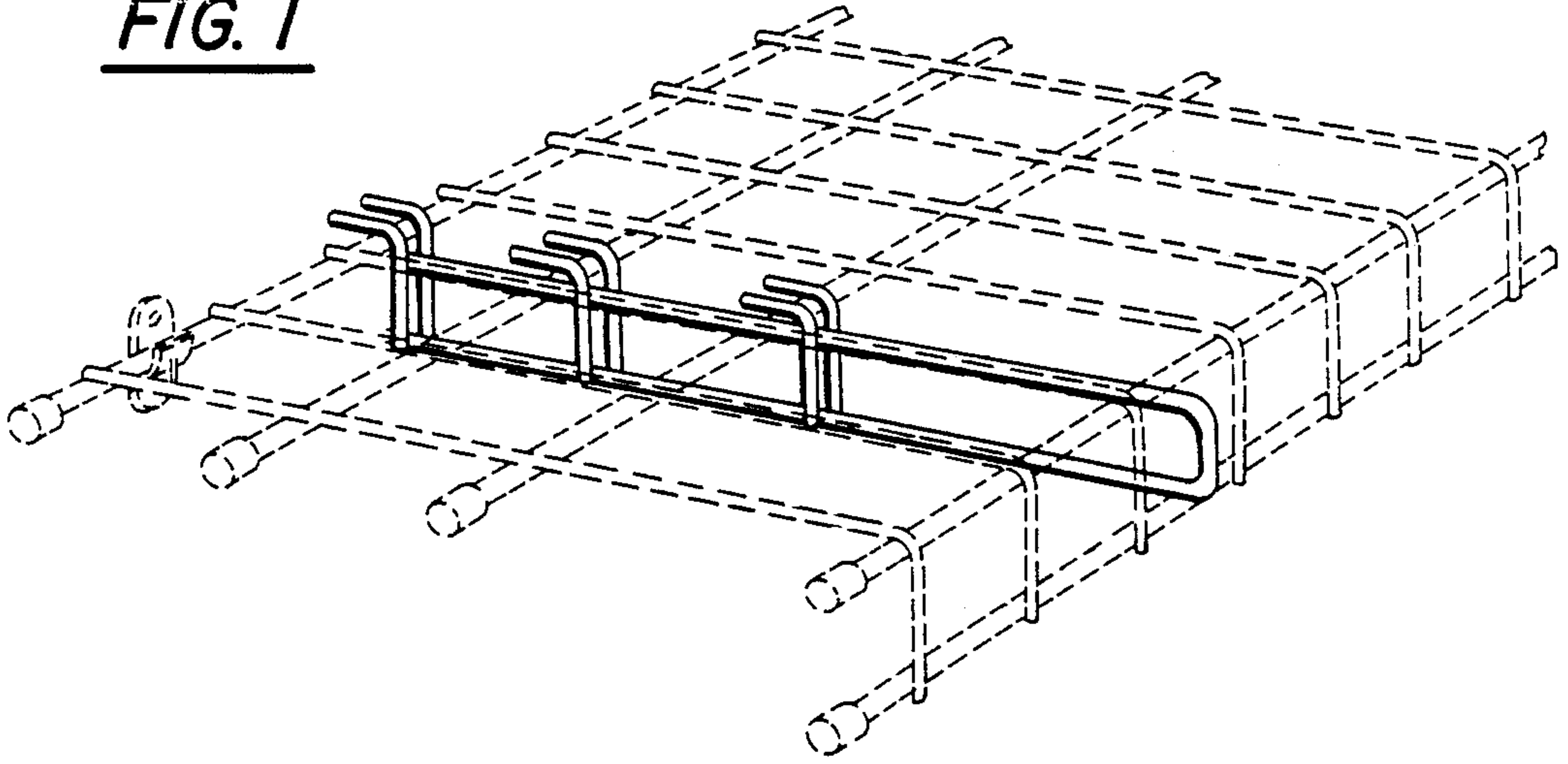


FIG. 2

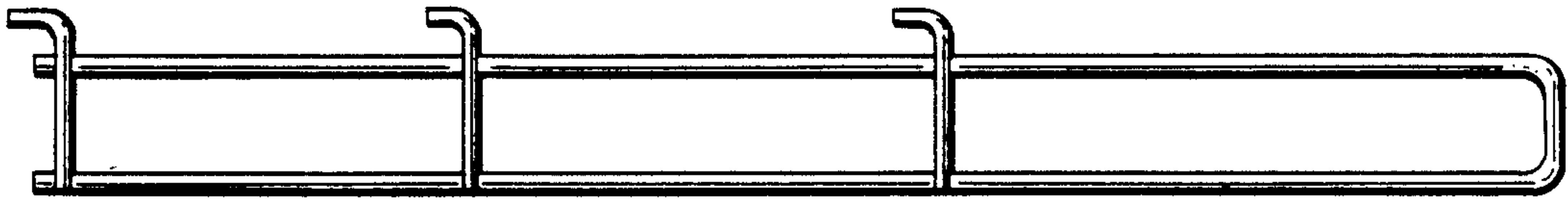


FIG. 3

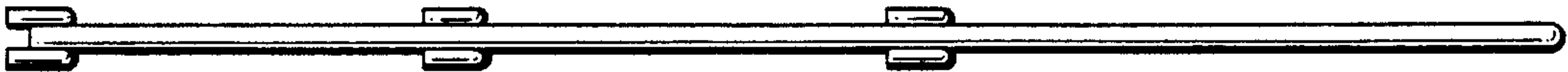


FIG. 4

