

[54] **BIG GAME HANGER**

[76] Inventor: **Harry A. Riener**, 1125 39th Ave.,
Vero Beach, Fla. 32906

[**] Term: **14 Years**

[21] Appl. No.: **195,539**

[22] Filed: **May 18, 1988**

[52] U.S. Cl. **D8/373**

[58] Field of Search **D8/349, 373, 376, 372,**
D8/363, 370, 371, 367, 380, 356, 394; D22/199;
248/110, 222.1, 309.1; 17/21, 44, 44.2, 44.3;
119/151; 211/65, 66; 294/79

892,719 7/1908 Gratton 17/44.2 X
 1,020,843 3/1912 Petersen 17/44.2 X
 1,655,301 1/1928 Williams 294/80 X
 2,890,078 6/1959 Mincey 294/79

Primary Examiner—Wallace R. Burke
Assistant Examiner—Freda S. Nunn
Attorney, Agent, or Firm—Jerry T. Kearns

[57] **CLAIM**

The ornamental design for a big game hanger, as shown and described.

DESCRIPTION

FIG. 1 is a front elevational view of a big game hanger showing my new design;
 FIG. 2 is a rear elevational view thereof;
 FIG. 3 is a left side elevational view thereof;
 FIG. 4 is a right side elevational view thereof;
 FIG. 5 is a top plan view thereof; and,
 FIG. 6 is a bottom plan view thereof.

[56] **References Cited**

U.S. PATENT DOCUMENTS

D. 246,827 1/1978 Crawford D8/372 X
 D. 274,036 5/1984 Schraml D8/370
 741,397 10/1903 Garratt et al. 17/44.3

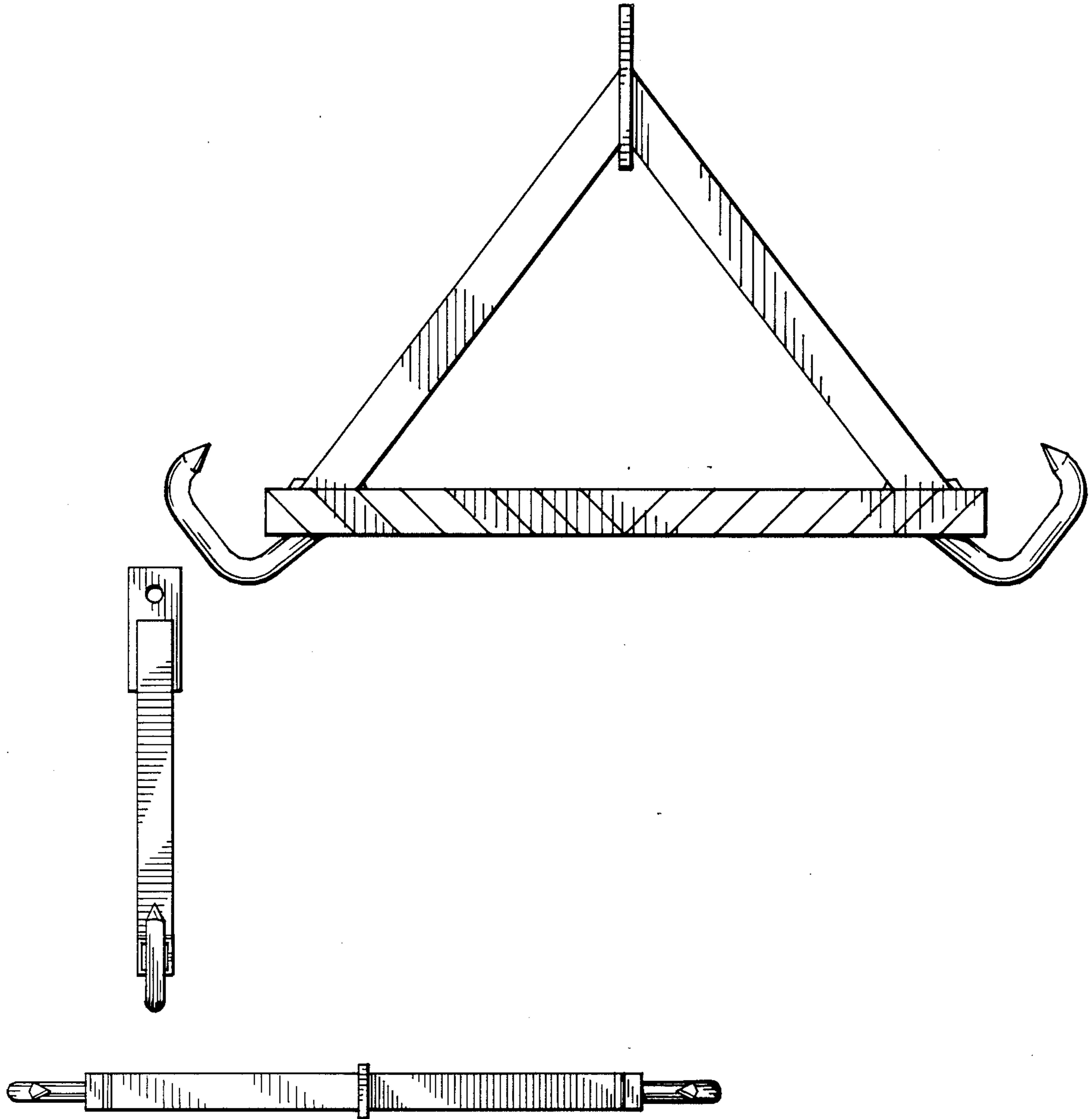


Fig. 1

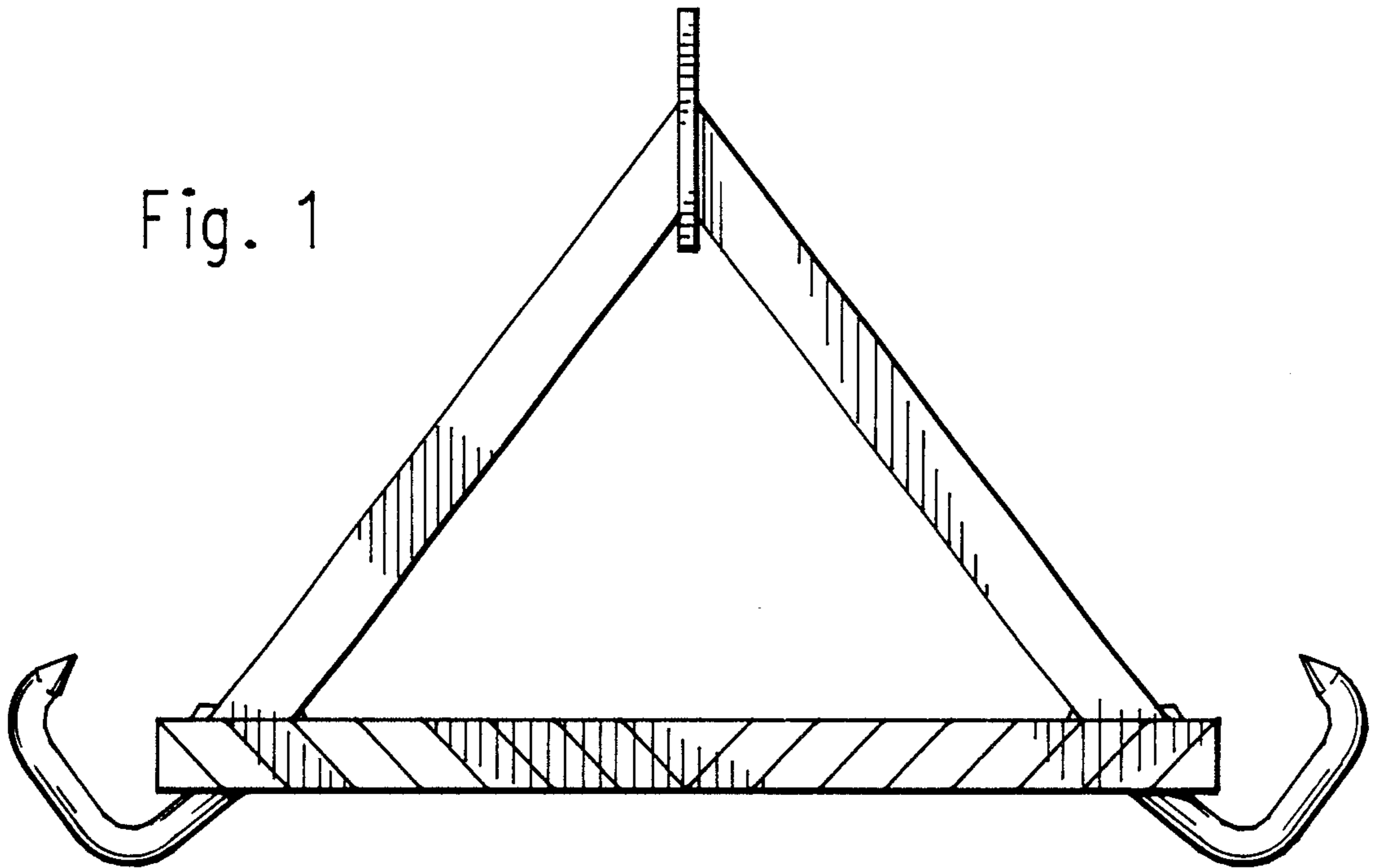
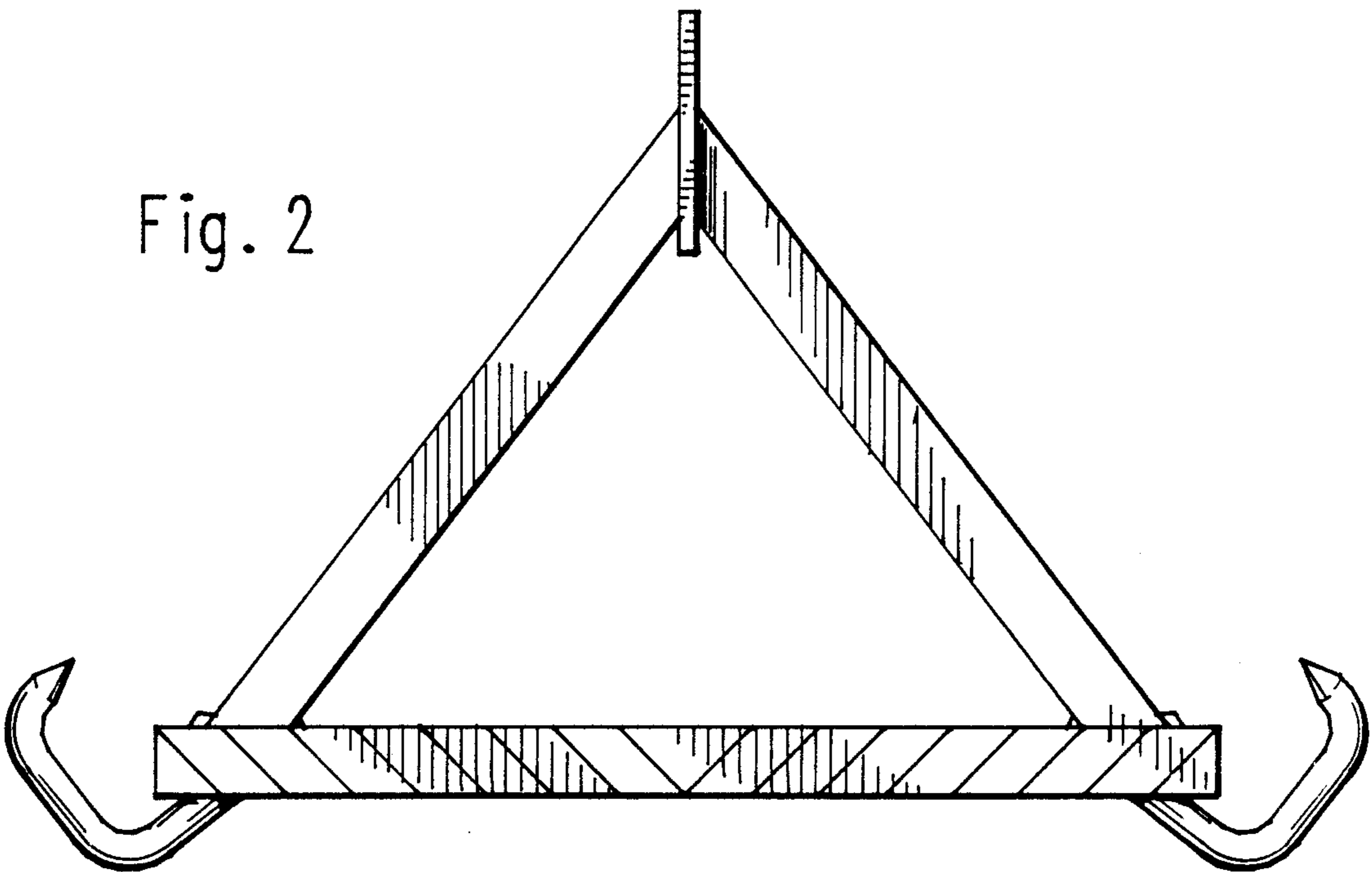


Fig. 2



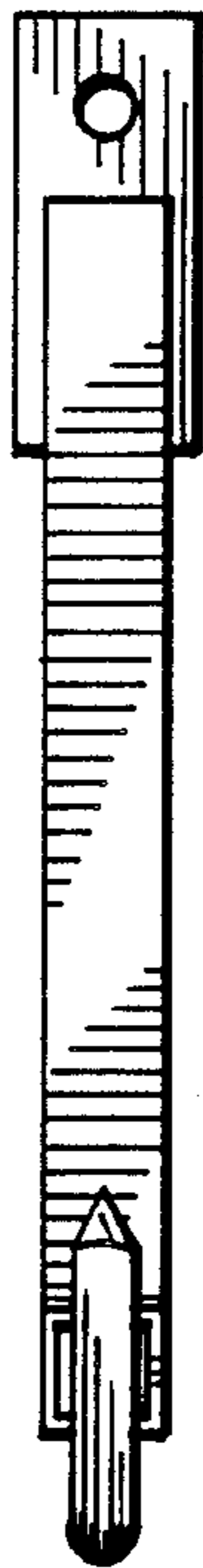


Fig. 3



Fig. 4

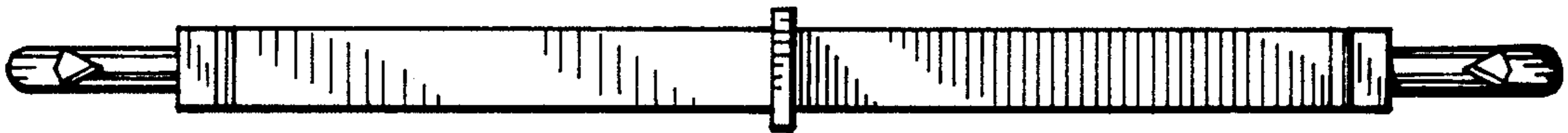


Fig. 5



Fig. 6