

[54] STRAIGHT PEG HOOK

[75] Inventor: David L. Hamann, Cincinnati, Ohio

[73] Assignee: Rubbermaid Incorporated, Wooster, Ohio

[**] Term: 14 Years

[21] Appl. No.: 213,329

[22] Filed: Jun. 29, 1988

[52] U.S. Cl. D8/367; D8/373; 248/301

[58] Field of Search D8/367, 373, 380; 248/301, 294, 220.4304, 250, 113

[56] References Cited

U.S. PATENT DOCUMENTS

D. 231,899	6/1974	Hewson	D8/367 X
D. 261,204	10/1981	Shames et al.	D8/367 X
D. 271,546	11/1983	Smith	D8/373 X
D. 281,859	12/1985	Picozza	D8/367
D. 284,832	7/1986	Parker	D8/380
D. 294,799	3/1988	Vilkofsky	D8/380 X
D. 296,759	7/1988	Greenhud et al.	D8/367
D. 300,003	2/1989	Hutchinson	D8/367
D. 300,301	3/1989	Furst et al.	D8/367 X

1,200,736	10/1916	Lagante	248/294
3,313,509	4/1967	Lockert	248/301 X

OTHER PUBLICATIONS

Visual Merchandizing, Apr. 1977: p. 26: F B Hook Series.

Architectural Graphic Standards ©1981; at p. 516 Perforated Board Fixtures; Shelf Bracket; 5th Row down.

Primary Examiner—Horace B. Fay, Jr.

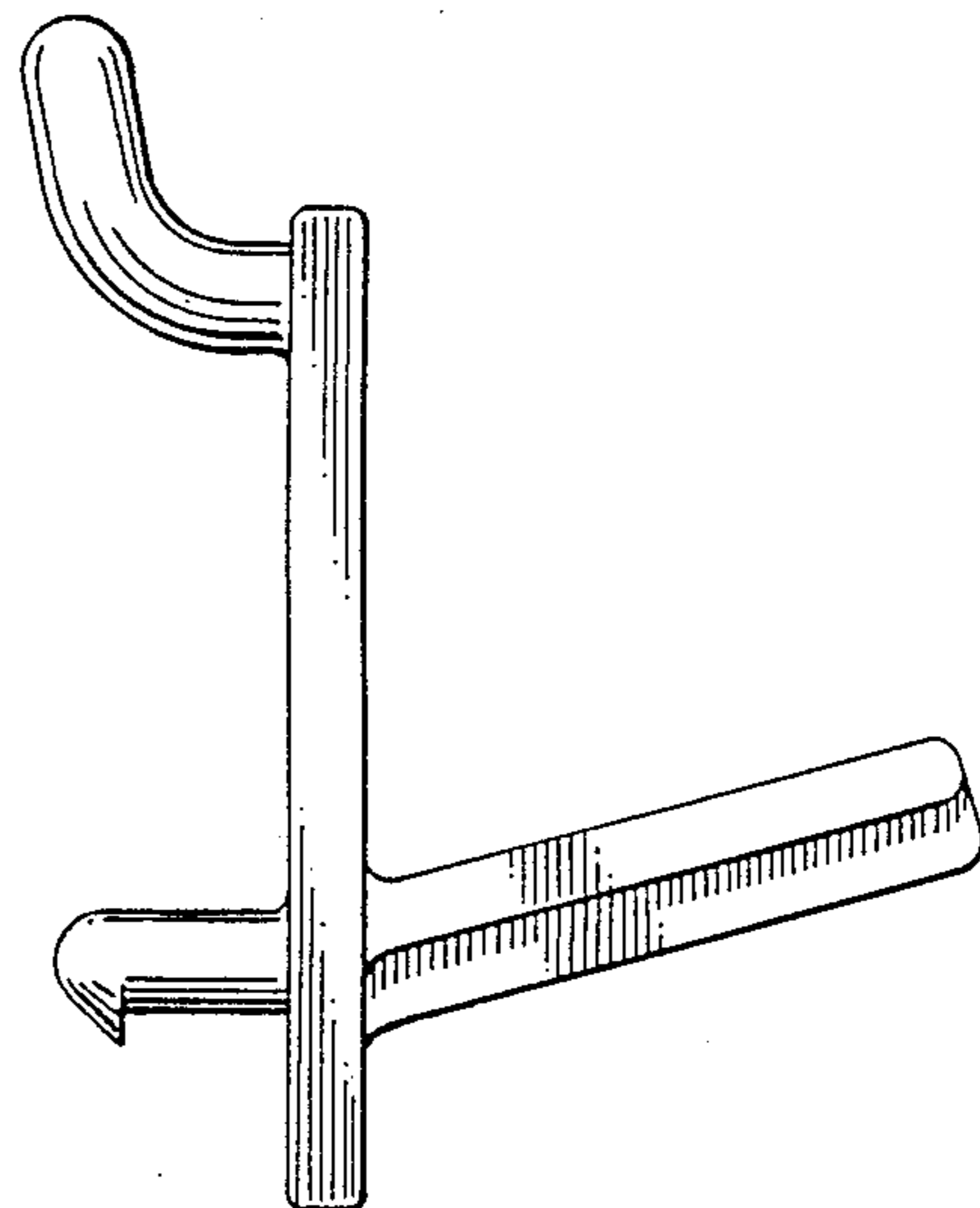
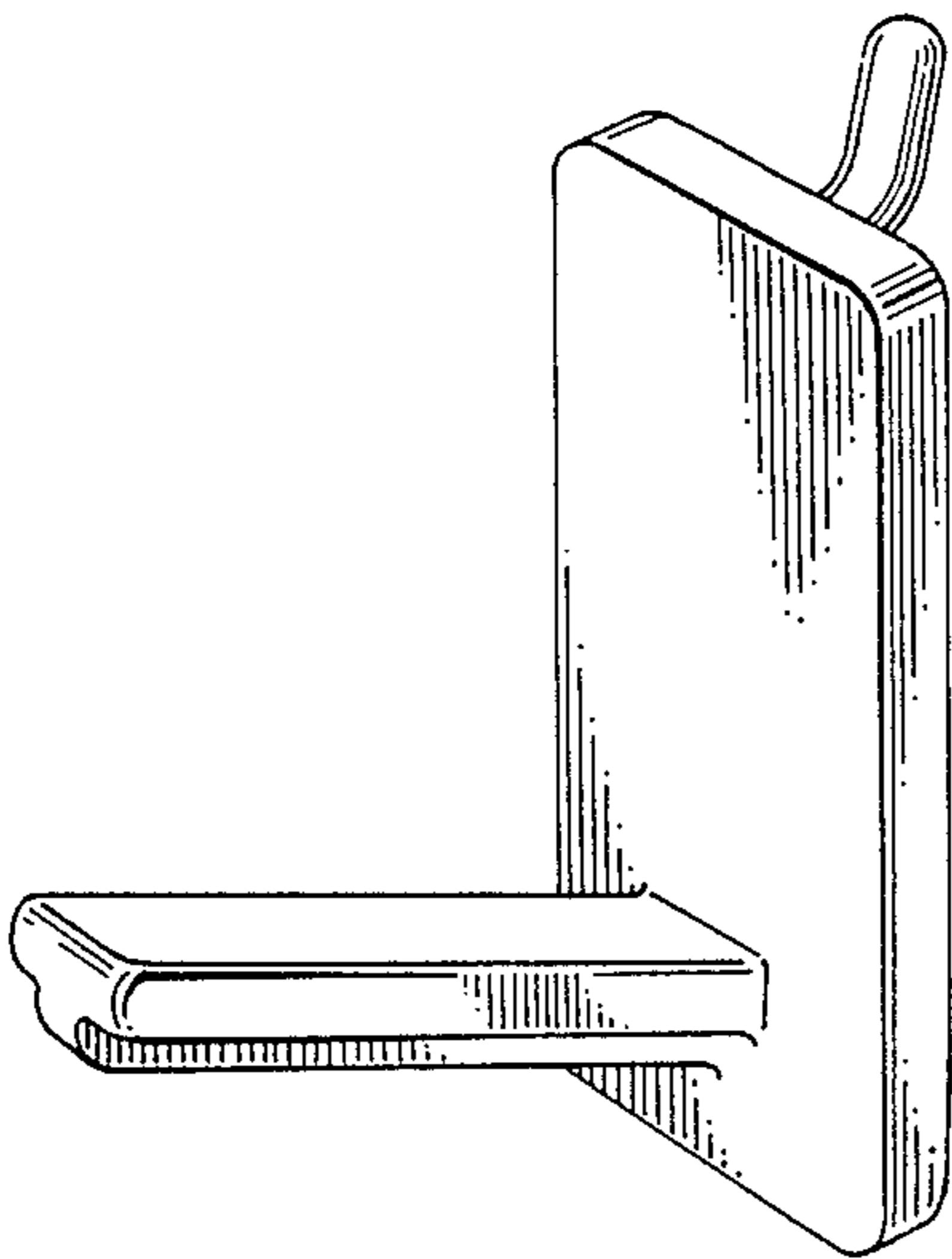
Attorney, Agent, or Firm—Richard B. O’Planick

[57] CLAIM

The ornamental design for a straight peg hook, as shown and described.

DESCRIPTION

FIG. 1 is a front perspective view of a straight peg hook embodying my new design;
 FIG. 2 is a front elevational view thereof;
 FIG. 3 is a rear elevational view thereof;
 FIG. 4 is a side elevational view thereof. The side opposite to that depicted in FIG. 4 is identical in appearance;
 FIG. 5 is a top plan view thereof;
 FIG. 6 is a bottom plan view thereof.



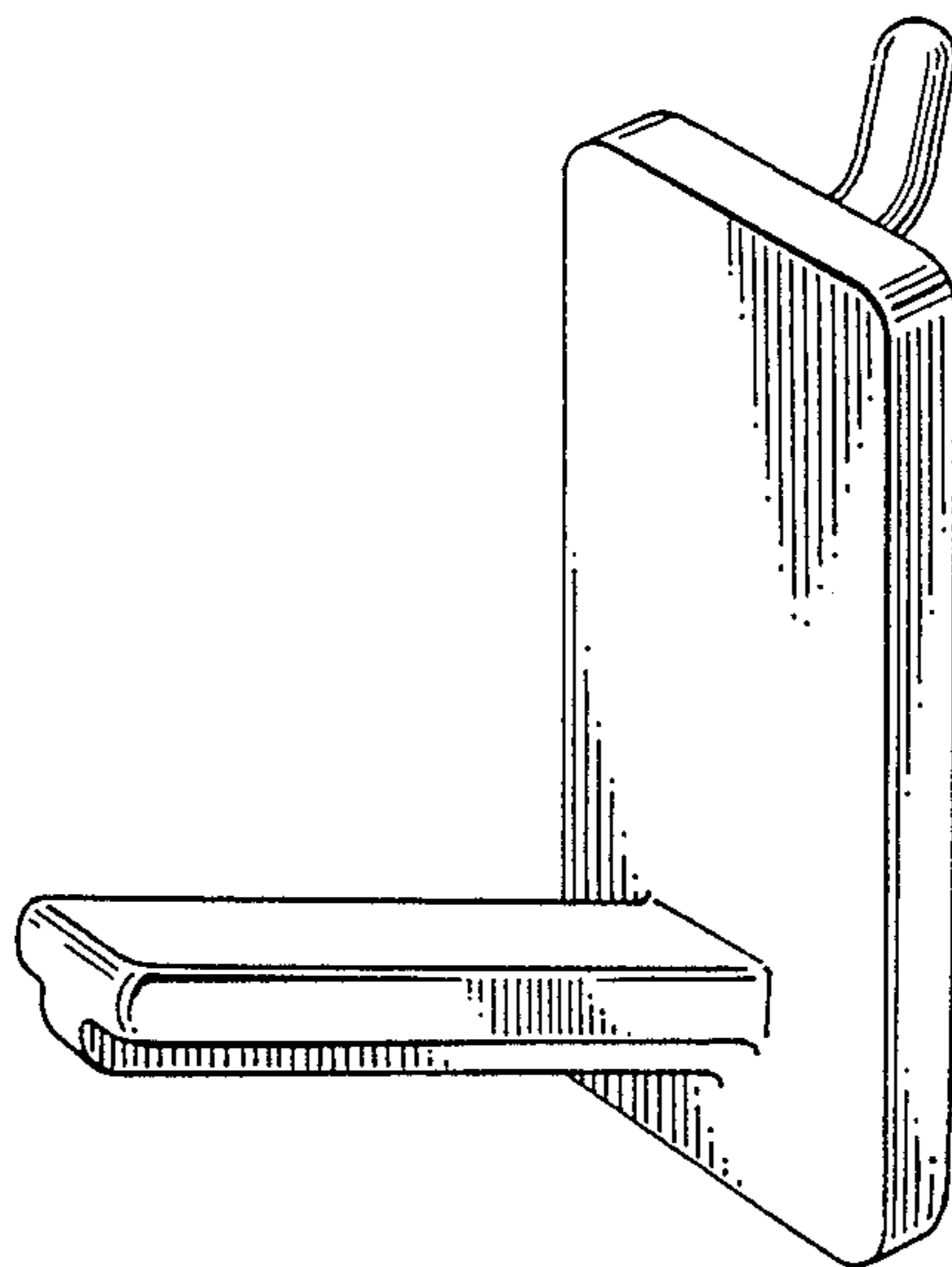


FIG. 1

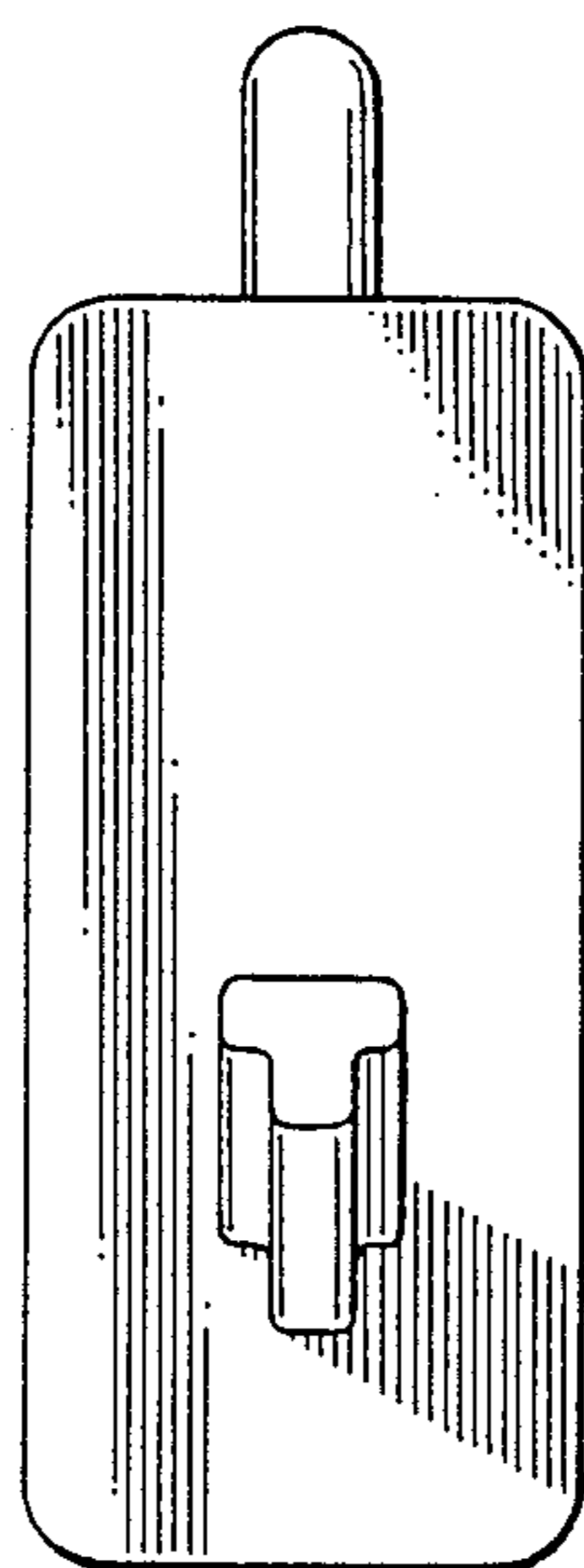


FIG. 2

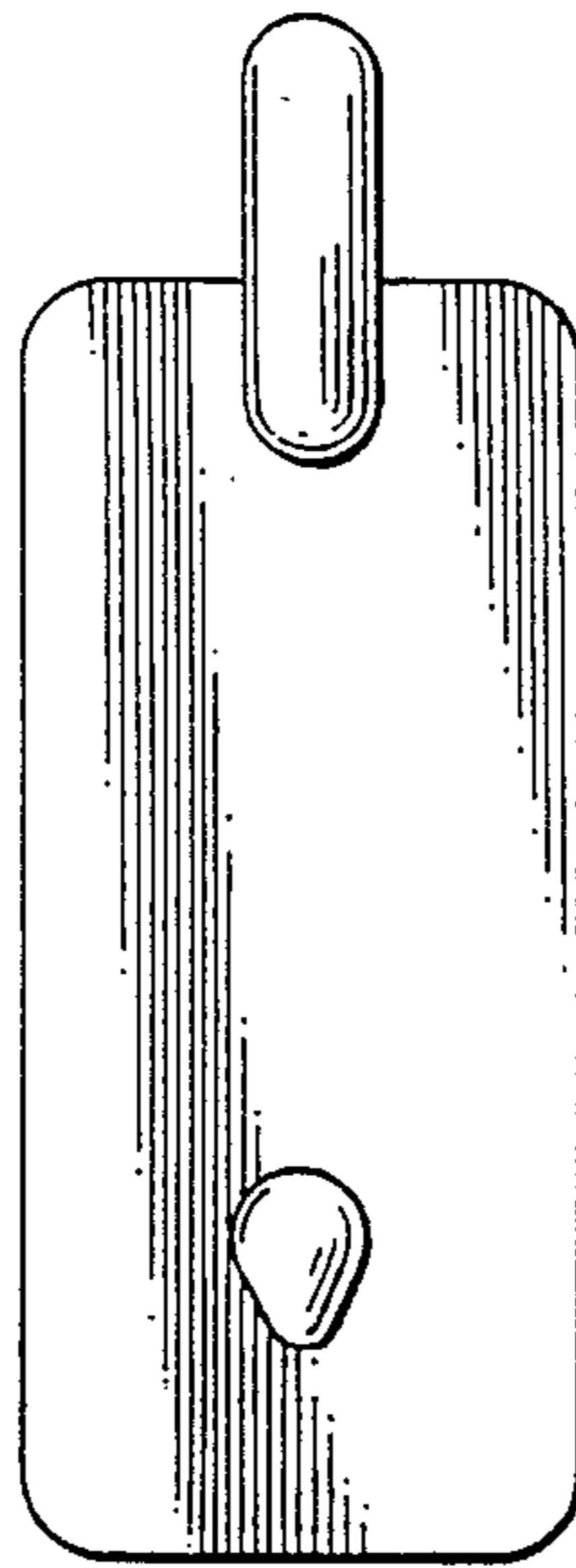


FIG. 3

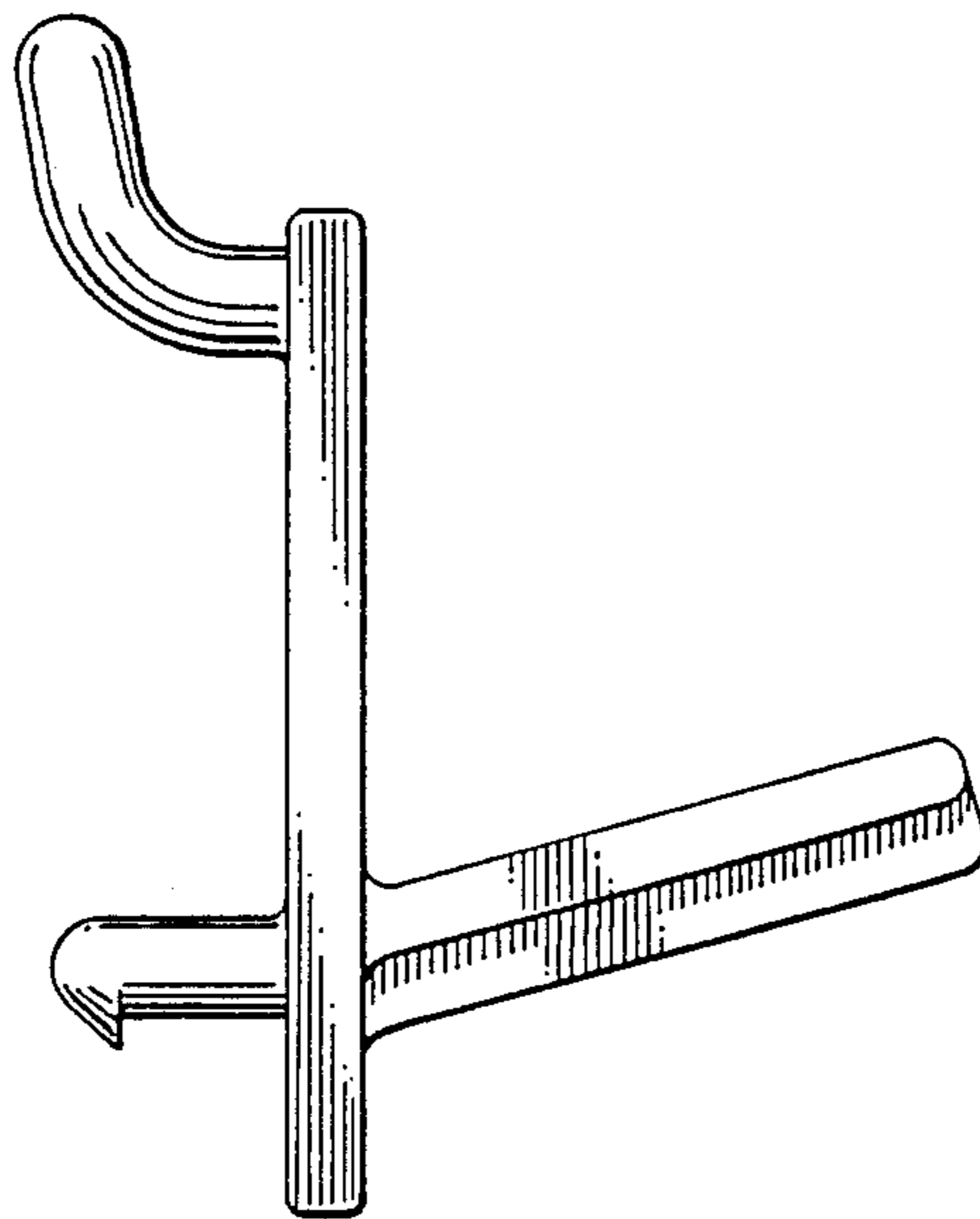


FIG. 4

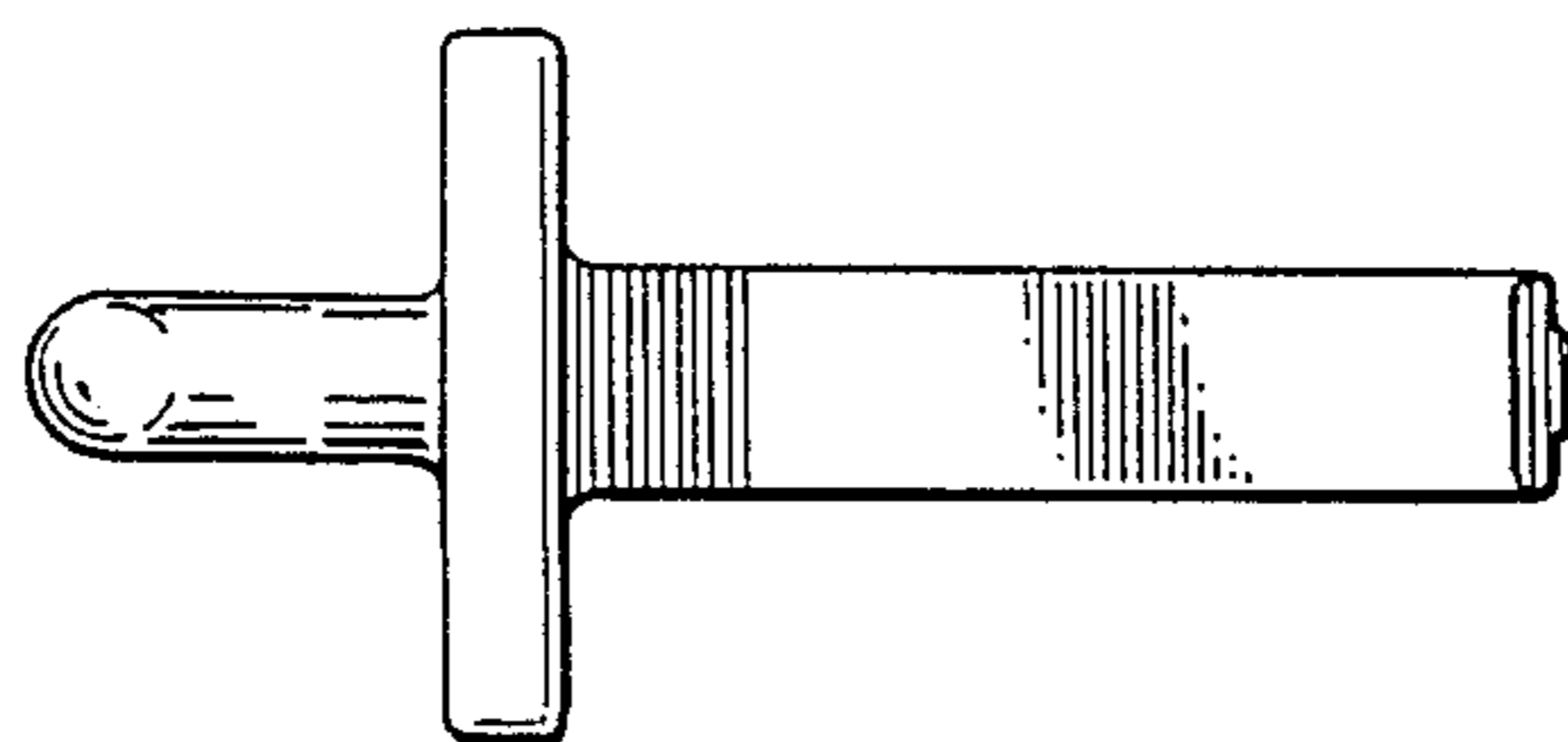


FIG. 5

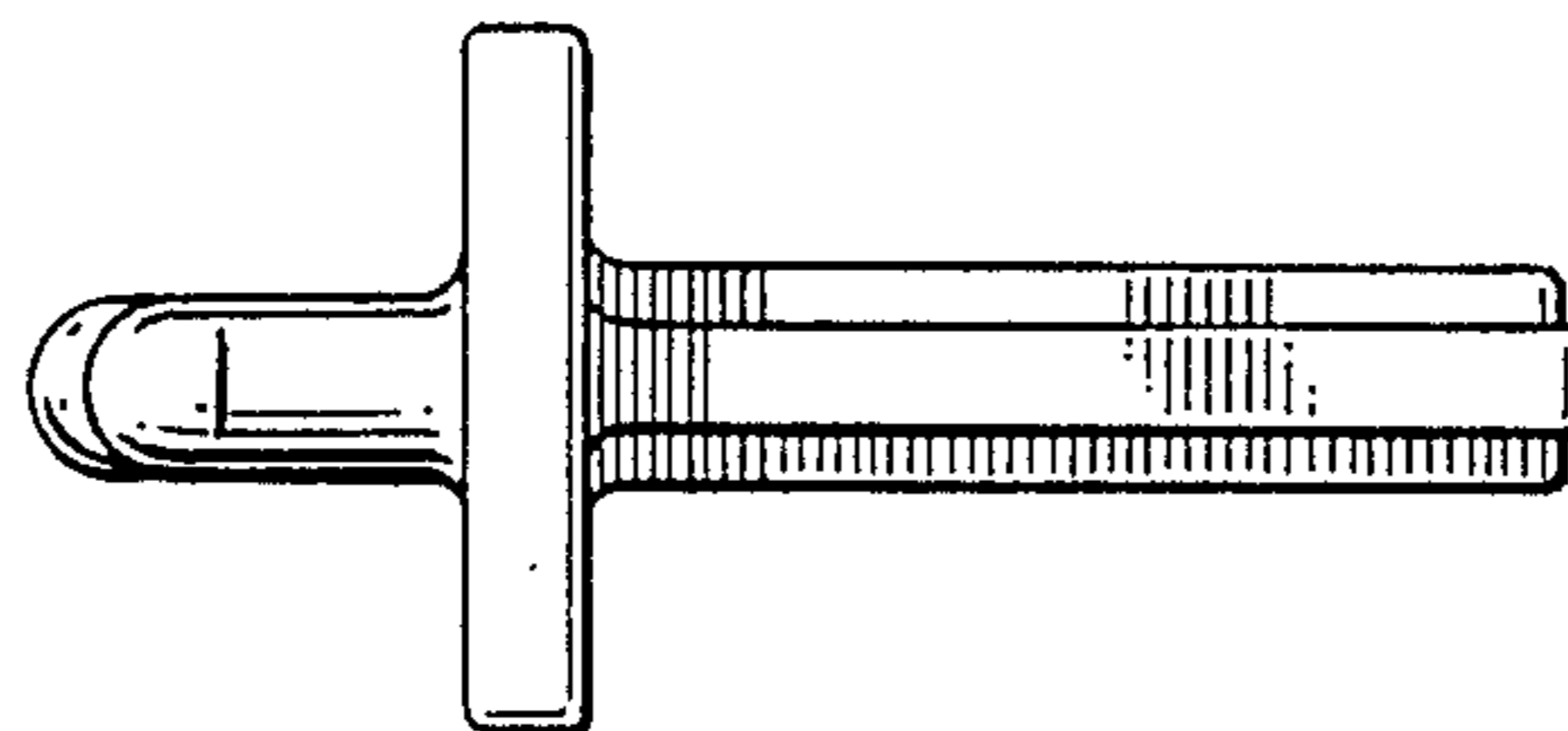


FIG. 6