

[54] ANCHOR BOLT HOLDER FOR CONCRETE CONSTRUCTION OR SIMILAR USE

[75] Inventor: Edward P. Ryll, Paso Robles, Calif.

[73] Assignee: Holdem Company, Paso Robles, Calif.

[**] Term: 14 Years

[21] Appl. No.: 29,401

[22] Filed: Mar. 23, 1987

[52] U.S. Cl. D8/349

[58] Field of Search D8/349, 354; 24/285, 24/29; 248/674, 646, 230, 126, 300

[56] References Cited

U.S. PATENT DOCUMENTS

D. 289,495	4/1987	Hughes et al.	D8/381
D. 299,809	2/1989	Hagedorn	D8/373
3,471,111	10/1969	MacDonald	248/235
3,471,112	10/1969	MacDonald	248/243

4,053,132	10/1977	Del Pozzo	248/235
4,666,117	5/1987	Taft	248/243
4,819,901	4/1989	McDonald	248/243

Primary Examiner—Wallace R. Burke
Assistant Examiner—Marcus Jackson
Attorney, Agent, or Firm—Daniel C. McKown

[57] CLAIM

The ornamental design for an anchor bolt holder for concrete construction or similar use, as shown.

DESCRIPTION

FIG. 1 is a front perspective view of an anchor bolt holder for concrete construction or similar use showing my new design;

FIG. 2 is a front elevational view thereof;

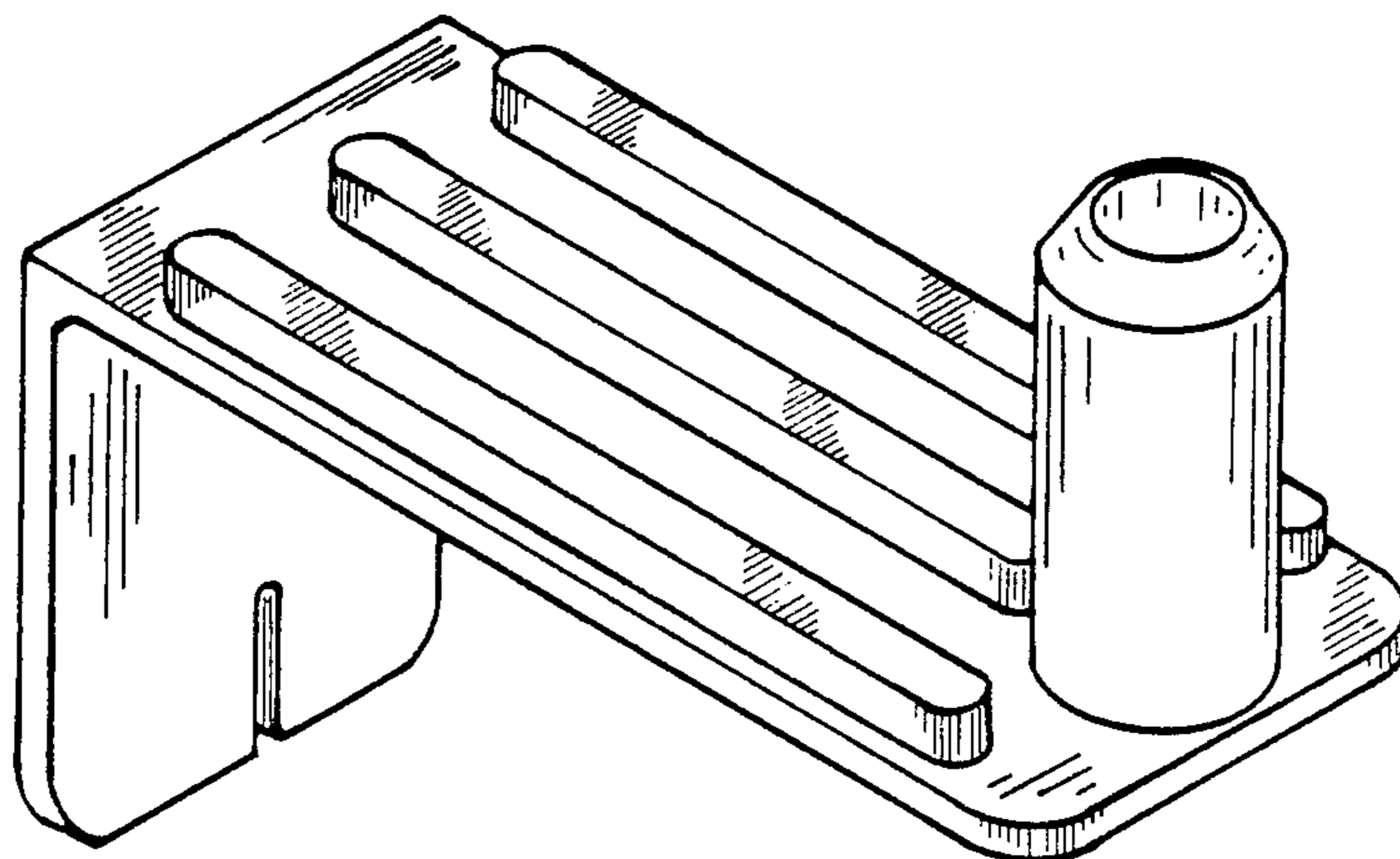
FIG. 3 is a rear elevational view thereof;

FIG. 4 is a left side elevational view thereof;

FIG. 5 is a right side elevational view thereof;

FIG. 6 is a bottom plan view thereof; and,

FIG. 7 is a top plan view thereof.



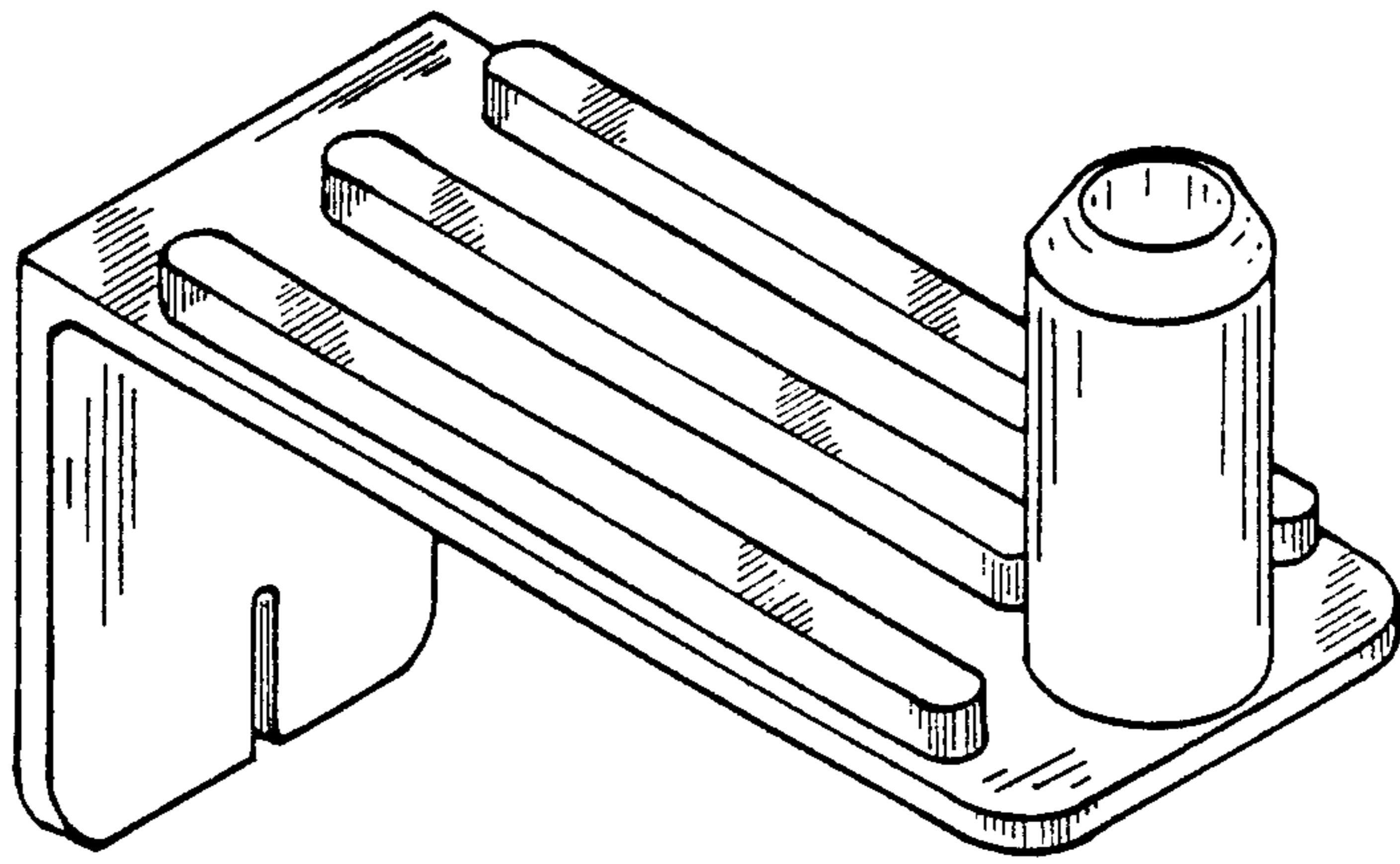


FIG. 1

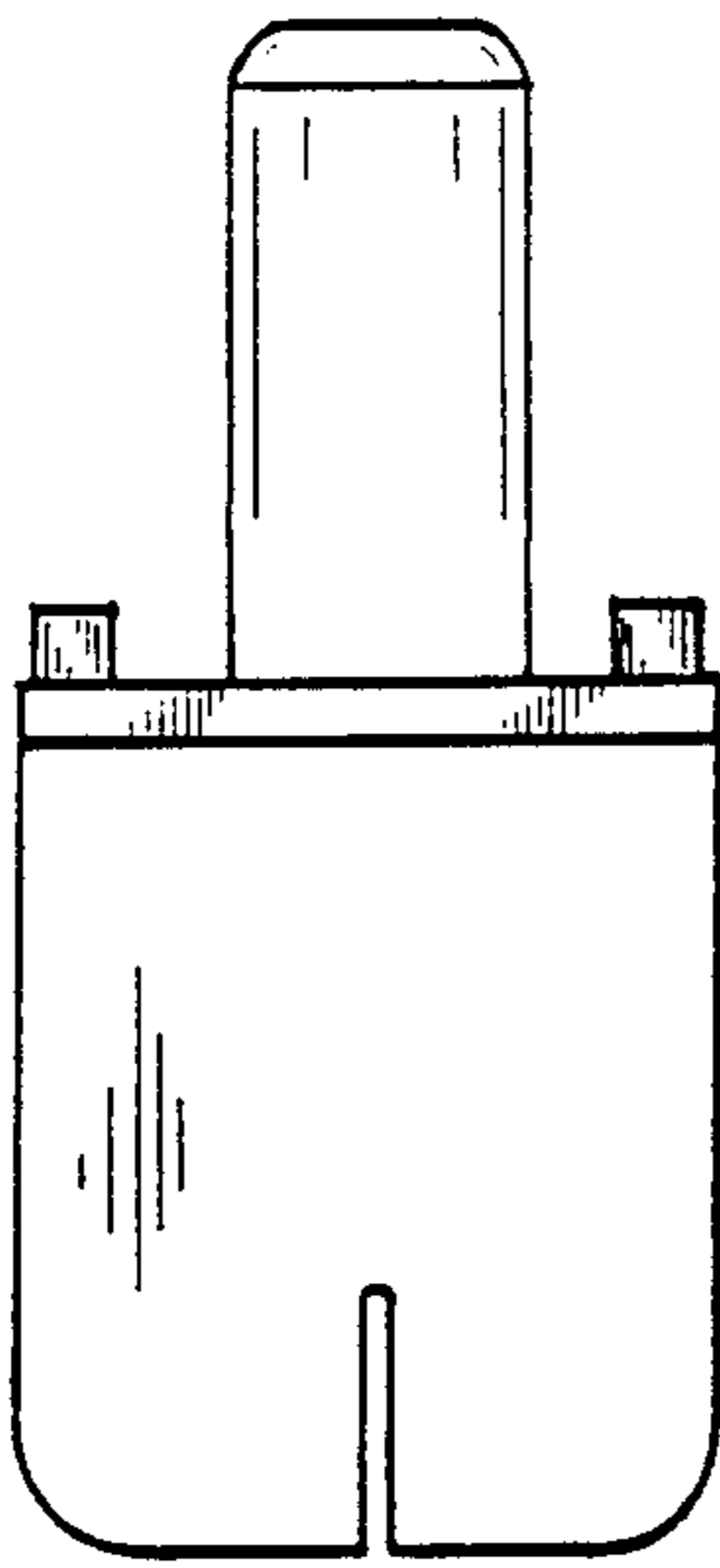


FIG. 2

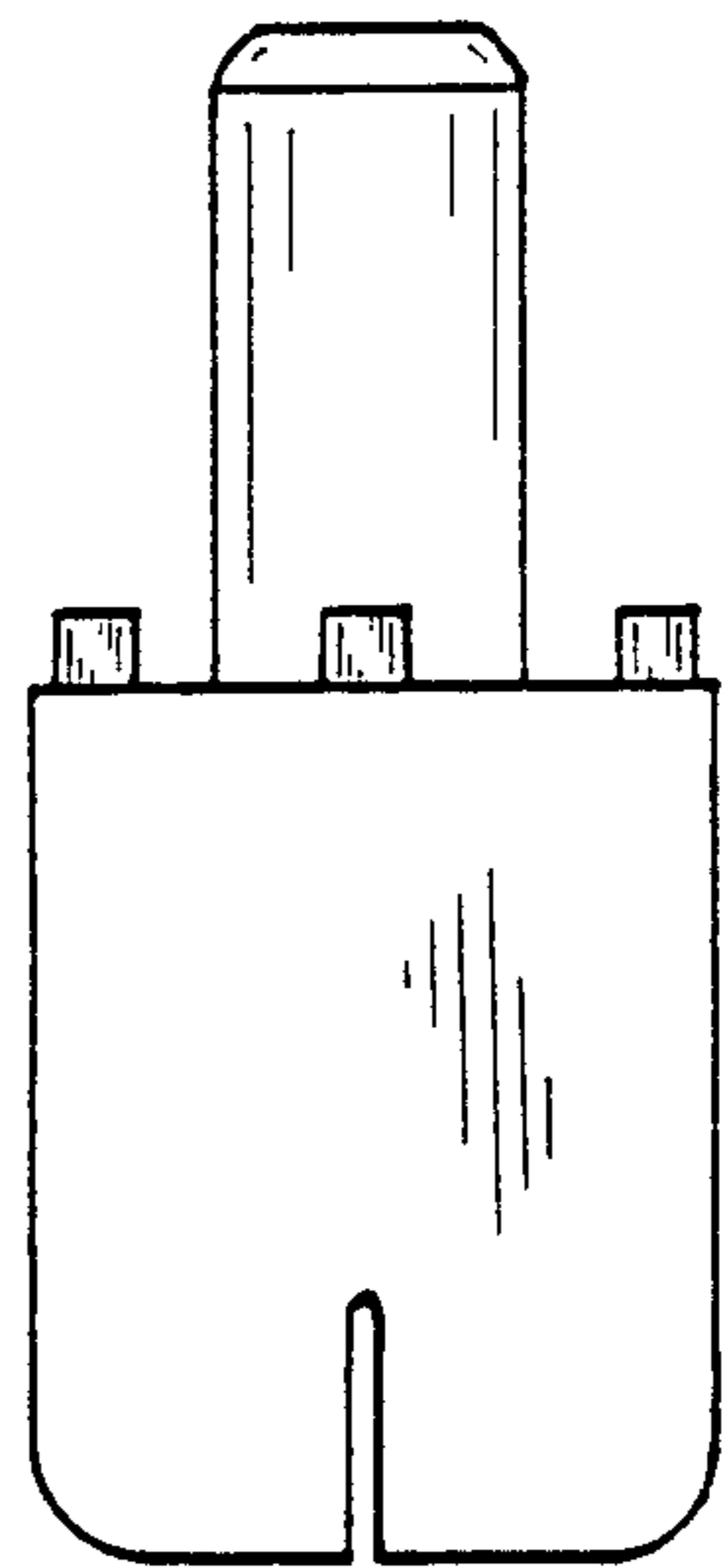


FIG. 3

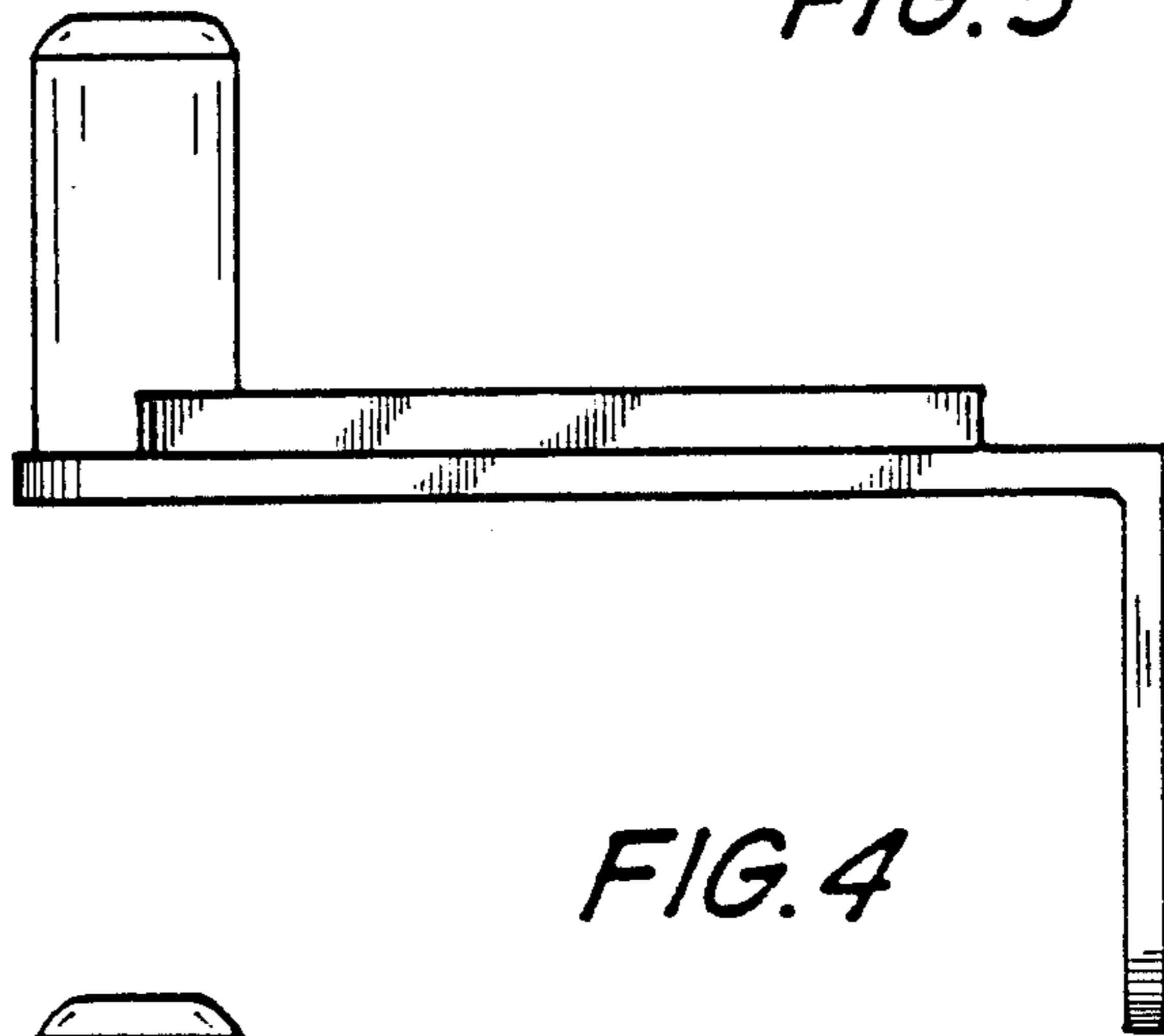


FIG. 4

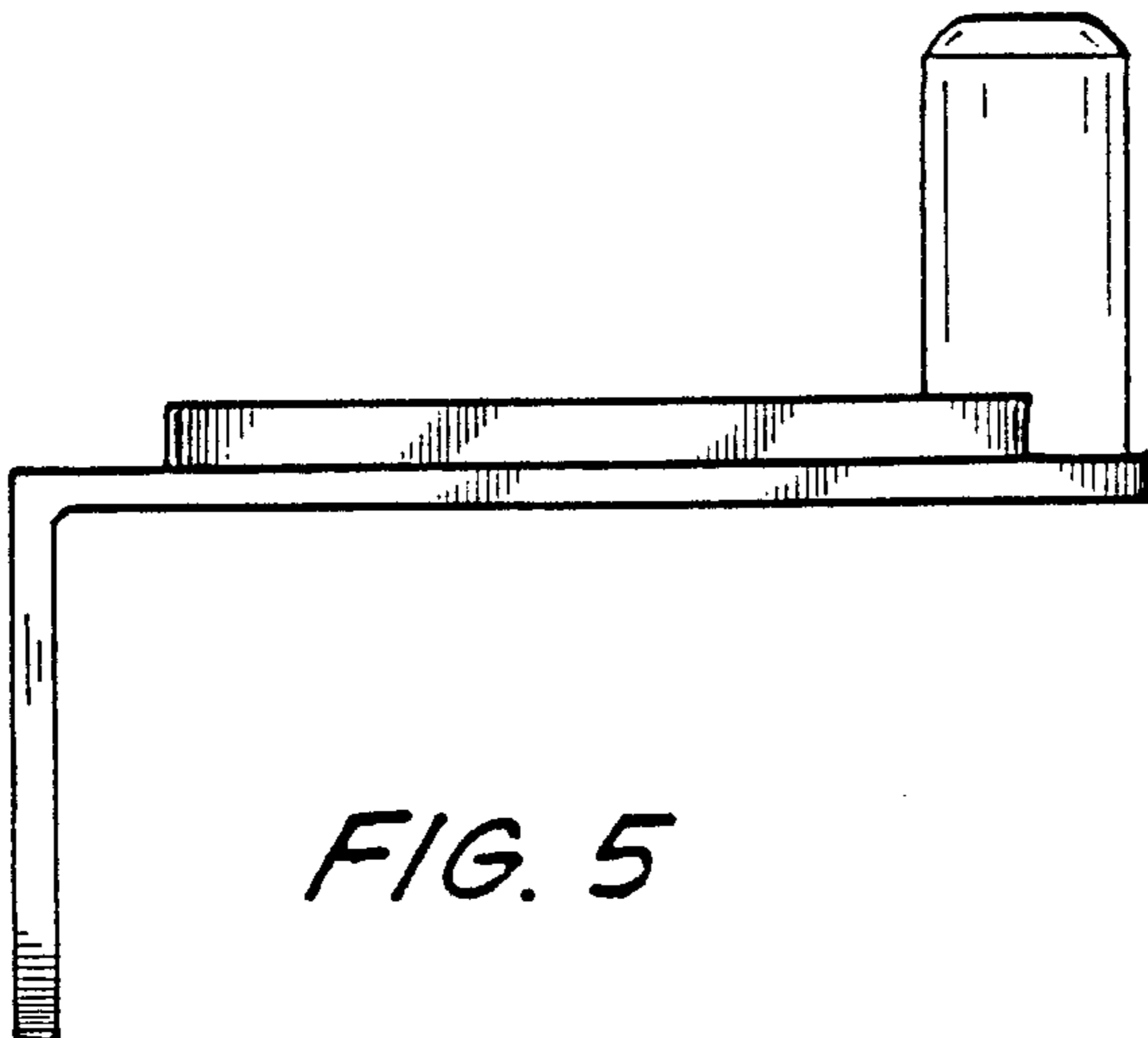


FIG. 5

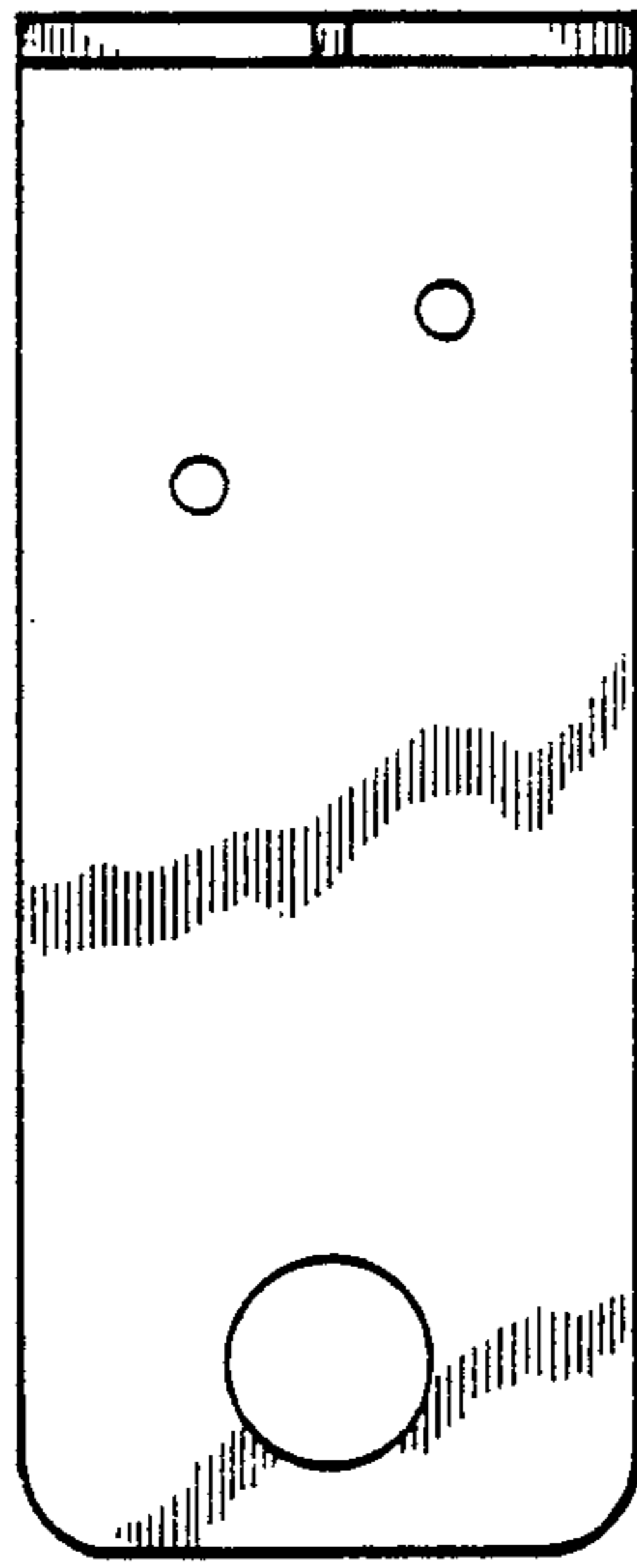


FIG. 6

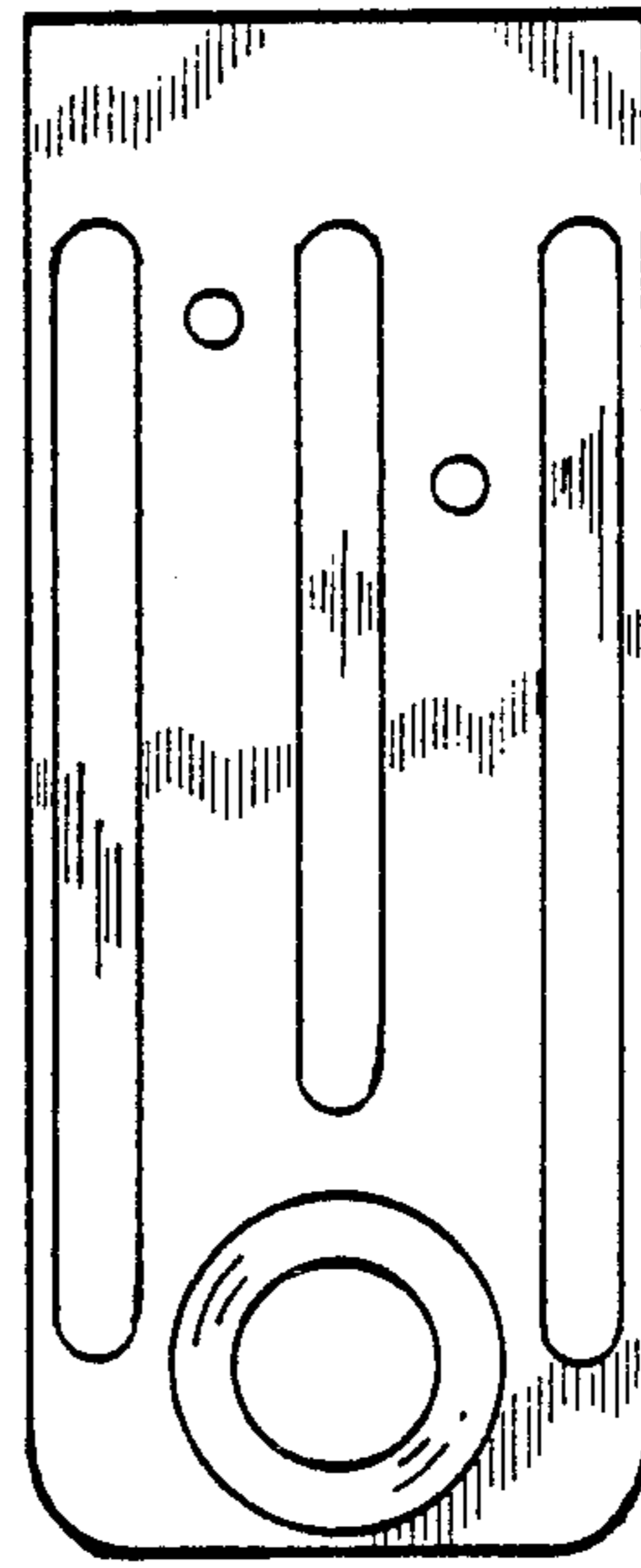


FIG. 7