

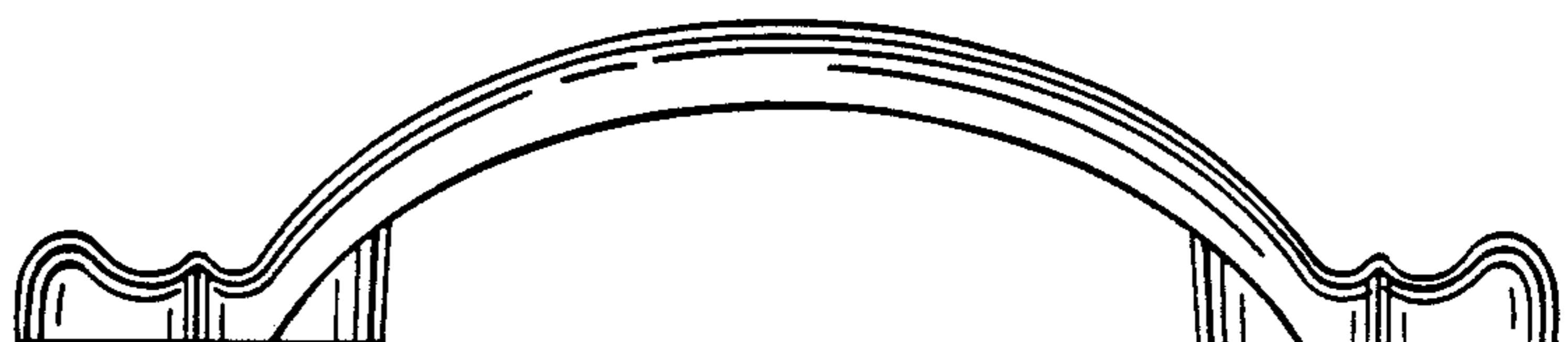
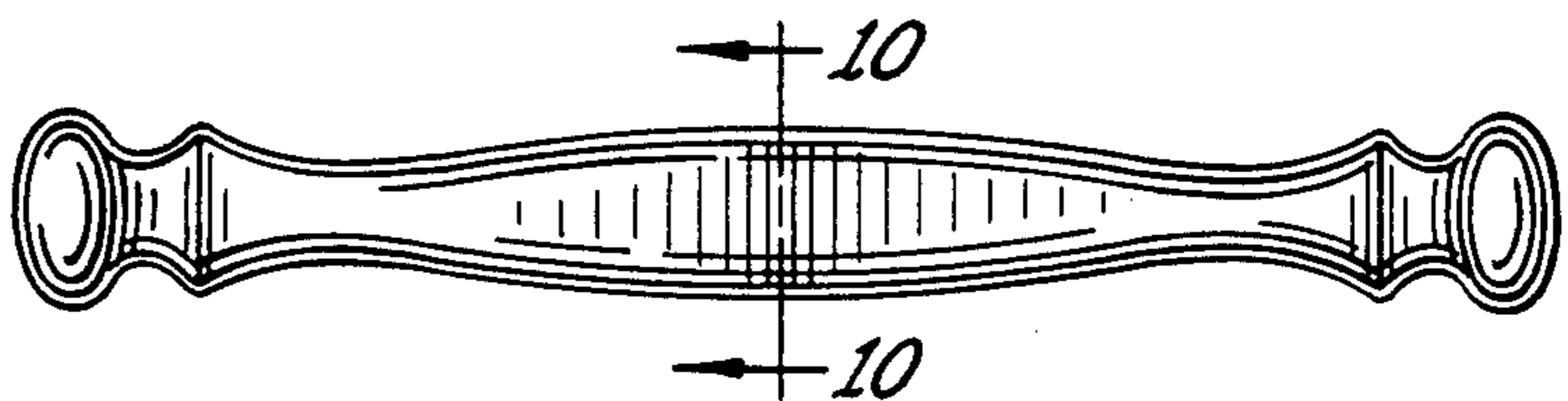
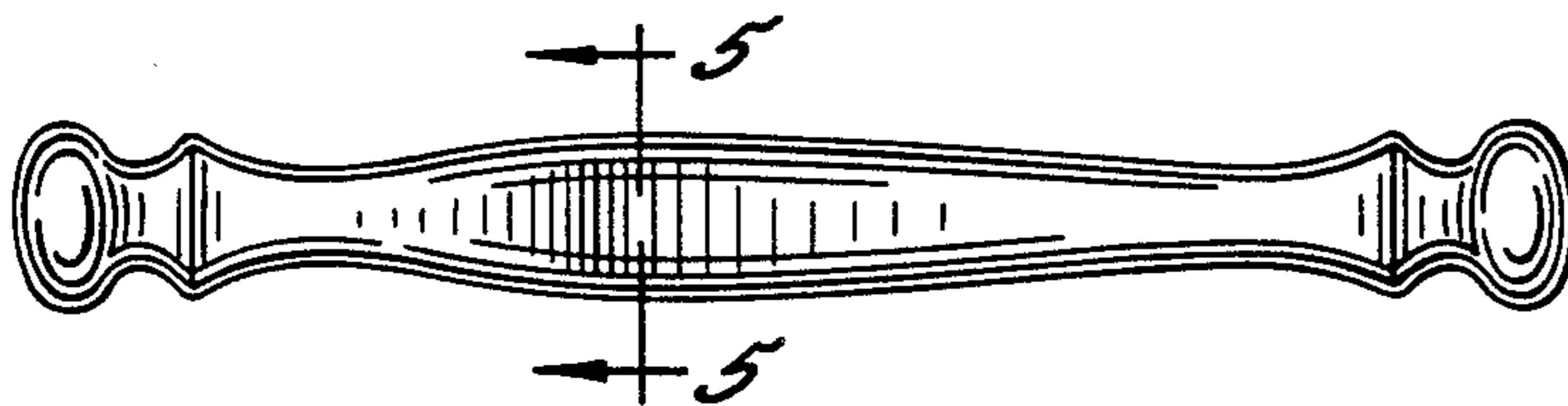
[54] PULL  
[75] Inventor: LaVerne E. Clayton, Rockford, Ill.  
[73] Assignee: Amerock Corporation, Rockford, Ill.  
[\*\*] Term: 14 Years  
[21] Appl. No.: 171,880  
[22] Filed: Mar. 22, 1988  
[52] U.S. Cl. .... D8/319; D8/317;  
D8/320  
[58] Field of Search ..... D8/300, 301, 302, 315-320;  
16/110 R, 111 R, 121, 124, 125

[56] References Cited  
U.S. PATENT DOCUMENTS  
D. 123,854 12/1940 Borchers .  
D. 126,551 4/1941 Borchers .  
D. 208,971 10/1967 Stone .  
D. 212,685 11/1968 Deadrick ..... D8/320  
D. 238,478 1/1976 Clayton .  
D. 246,425 11/1977 Stone .  
D. 246,950 1/1978 Palm, Jr. .  
D. 267,926 2/1983 Pittenger .

D. 270,993 10/1983 Tegner ..... D8/302  
Primary Examiner—B. J. Bullock  
Attorney, Agent, or Firm—Leydig, Voit & Mayer

[57] CLAIM  
The ornamental design for a pull, as shown and described.

DESCRIPTION  
FIG. 1 is a front view of a pull showing my new design;  
FIG. 2 is a bottom view thereof, the top being a mirror image;  
FIG. 3 is a left end view thereof;  
FIG. 4 is a rear view thereof;  
FIG. 5 is a sectional view taken on line 5—5 of FIG. 1;  
FIG. 6 is a front view of a second embodiment of the design of FIG. 1;  
FIG. 7 is a bottom view of FIG. 6, the top being a mirror image;  
FIG. 8 is a left end view of FIG. 6, the right end being identical;  
FIG. 9 is a rear view of FIG. 6;  
FIG. 10 is a sectional view taken on line 10—10 of FIG. 6.



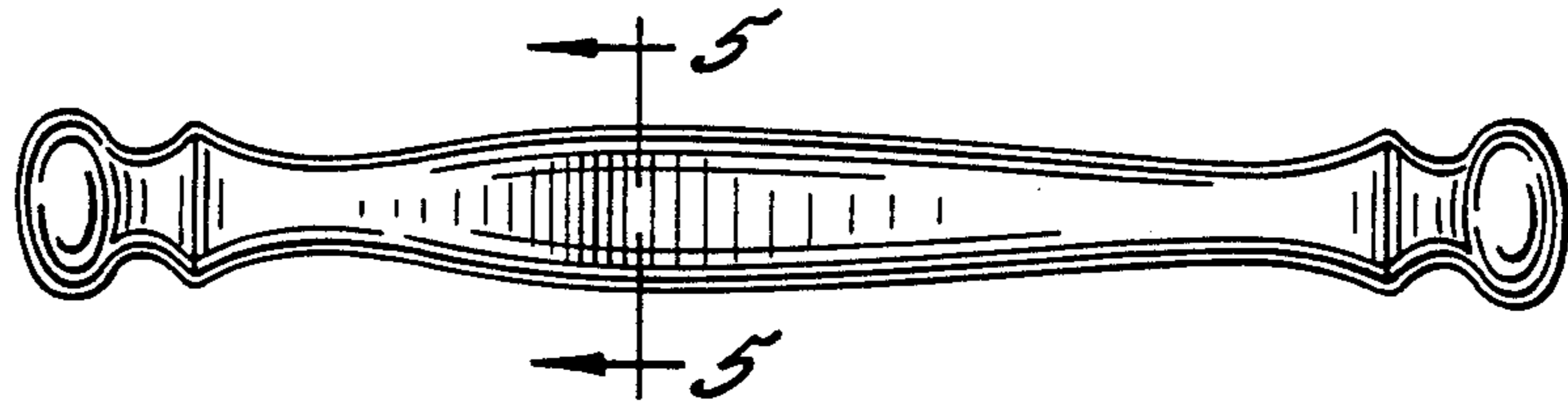


FIG. 1.



FIG. 2.

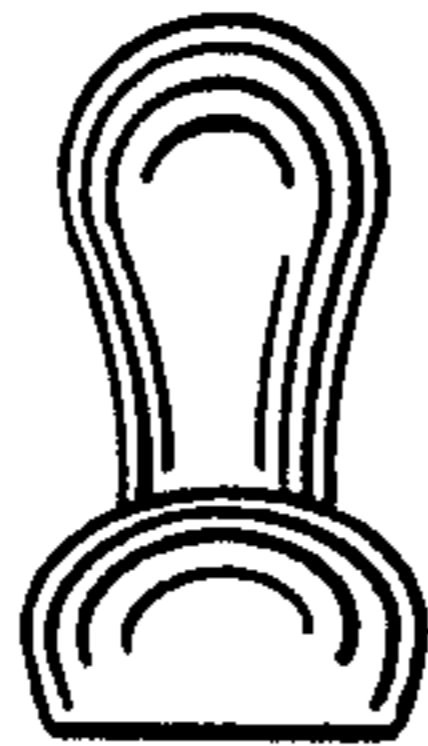


FIG. 3.



FIG. 5.

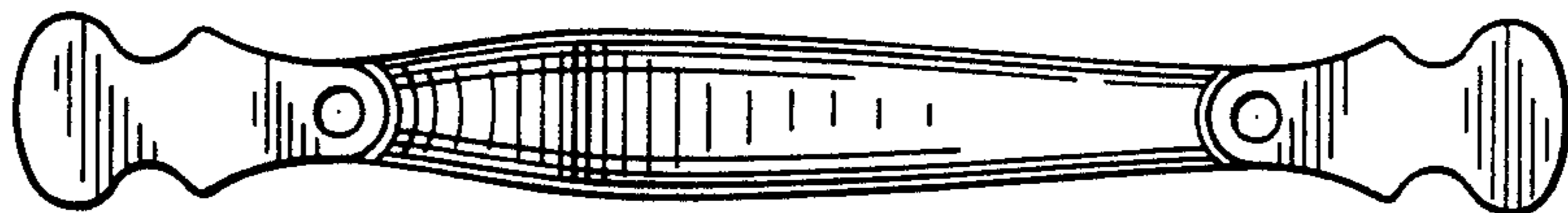


FIG. 4.

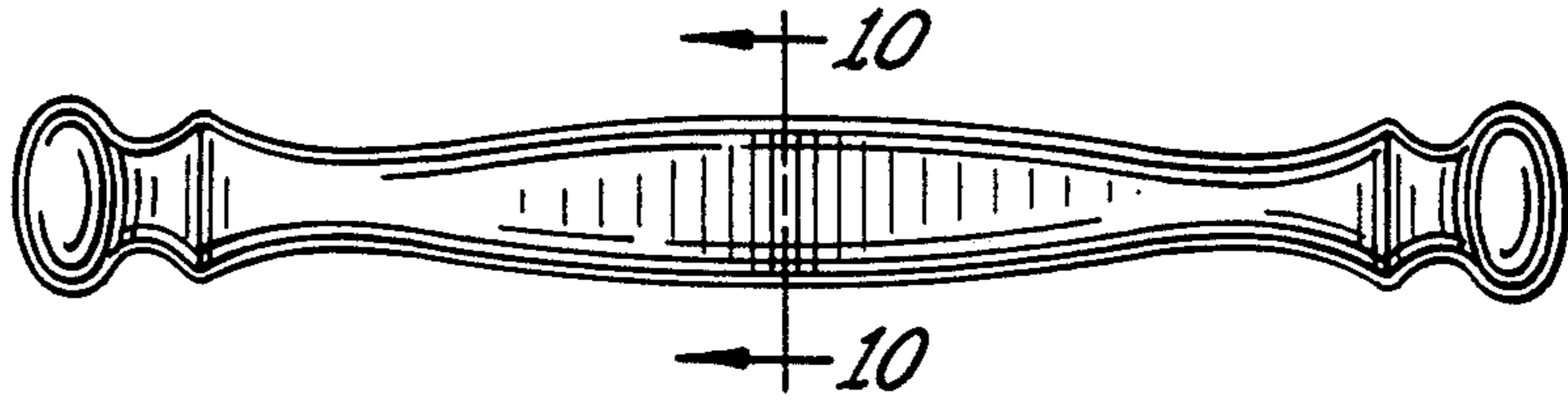


FIG. 6.



FIG. 7.

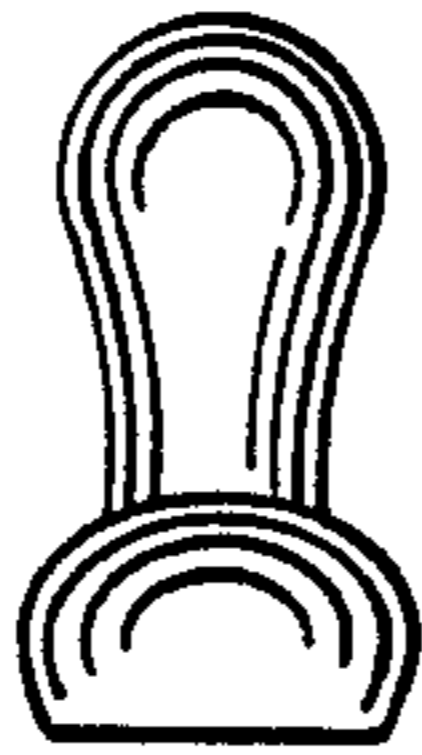


FIG. 8.



FIG. 10.

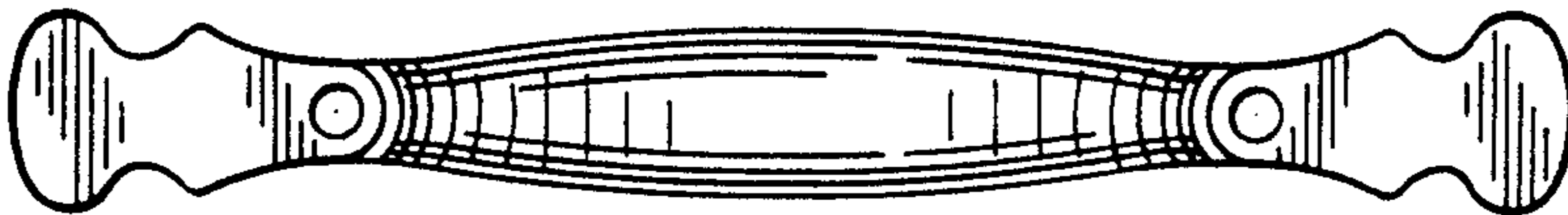


FIG. 9.