

[54] COMBINED QUICK RELEASE HOLDER AND SLIP RESISTANT GRIP FOR FIRE HOSES

2,652,278 9/1953 Allen ..... 294/15  
3,520,570 7/1970 Christopher et al. .... 294/92  
4,655,492 4/1987 Landry ..... 294/92  
4,836,595 6/1989 DiCarlo ..... 294/15

[75] Inventors: Richard J. Everding, Evansville; David R. Lancaster, Casper, both of Wyo.

Primary Examiner—B. J. Bullock  
Attorney, Agent, or Firm—Thomas W. Tolpin; William H. Magidson; Ralph C. Medhurst

[73] Assignee: Amoco Corporation, Chicago, Ill.

[\*\*] Term: 14 Years

[57] CLAIM

[21] Appl. No.: 73,424

The ornamental design for combined quick release holder and slip resistant grips for fire hoses, as shown.

[22] Filed: Jul. 15, 1987

DESCRIPTION

[52] U.S. Cl. .... D8/14; D8/107; D8/300

FIG. 1 is a perspective view of a combined quick release holder and slip resistant grip for fire hoses showing our new design;

[58] Field of Search ..... D8/14, 300, 107, 303, D8/DIG. 7; D3/30.1, 99; 294/15, 92; 254/389

FIG. 2 is a left side view thereof;

FIG. 3 is a front view thereof;

[56] References Cited

U.S. PATENT DOCUMENTS

D. 267,520 1/1983 Main ..... D8/14  
D. 301,962 7/1989 Huang ..... D8/107

FIG. 4 is a right side view thereof;

FIG. 5 is a back view thereof;

FIG. 6 is a top view thereof;

FIG. 7 is a bottom view thereof.

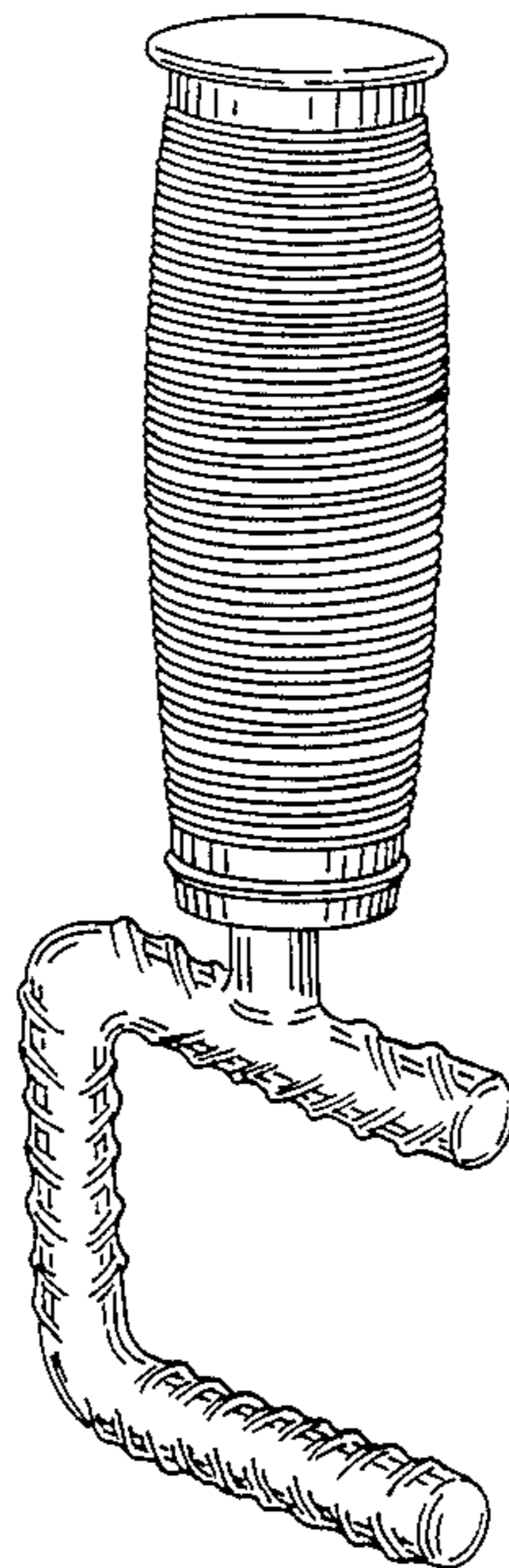


FIG-1-

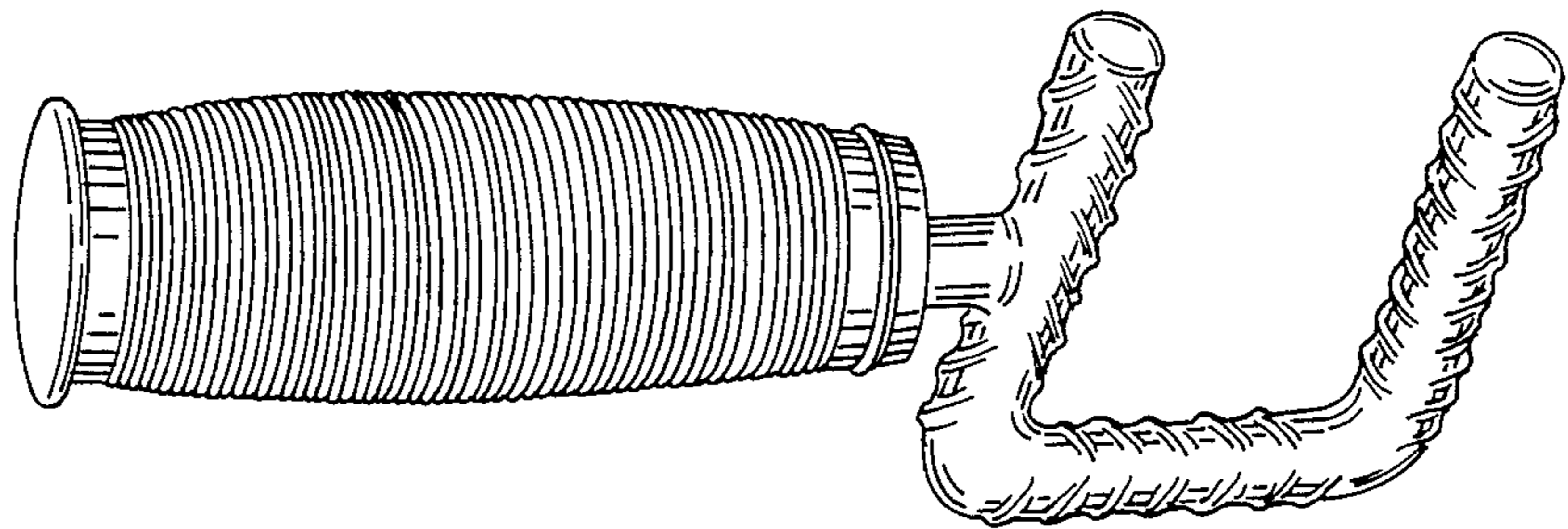


FIG-2-

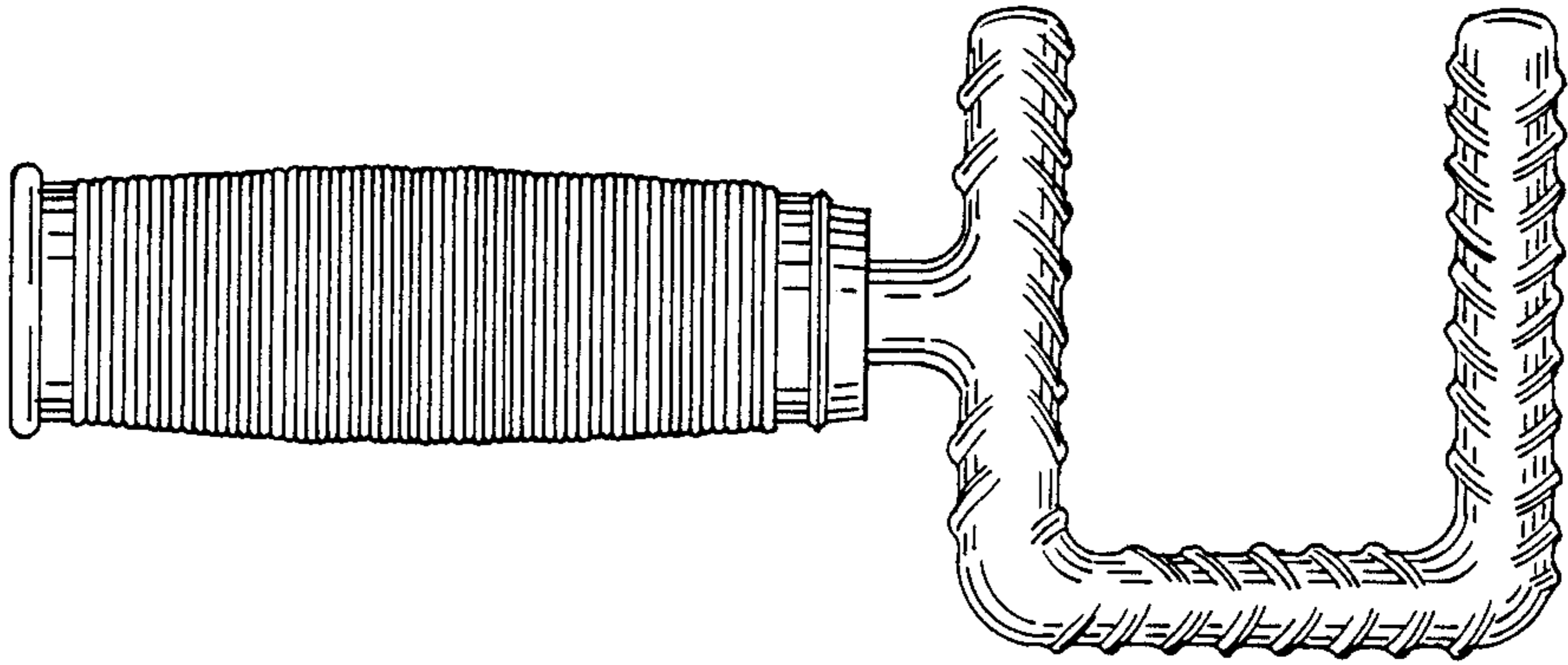


FIG-3-

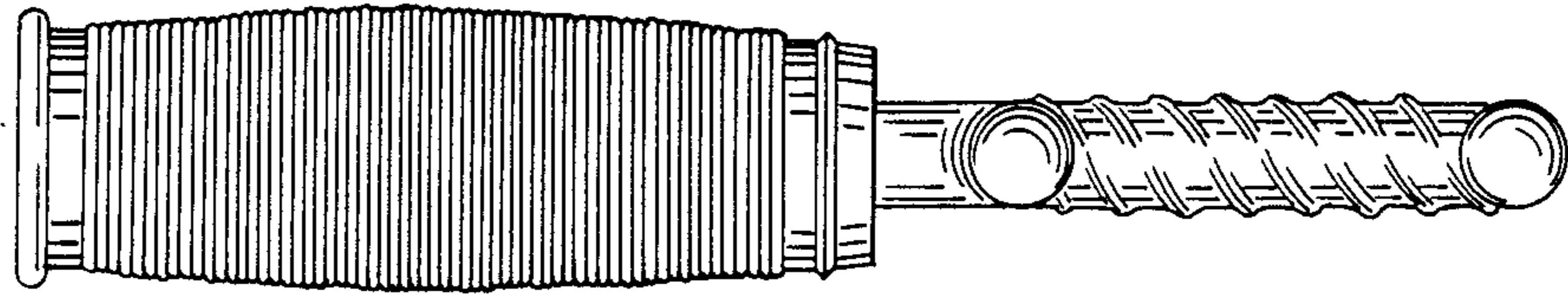


FIG. 4-

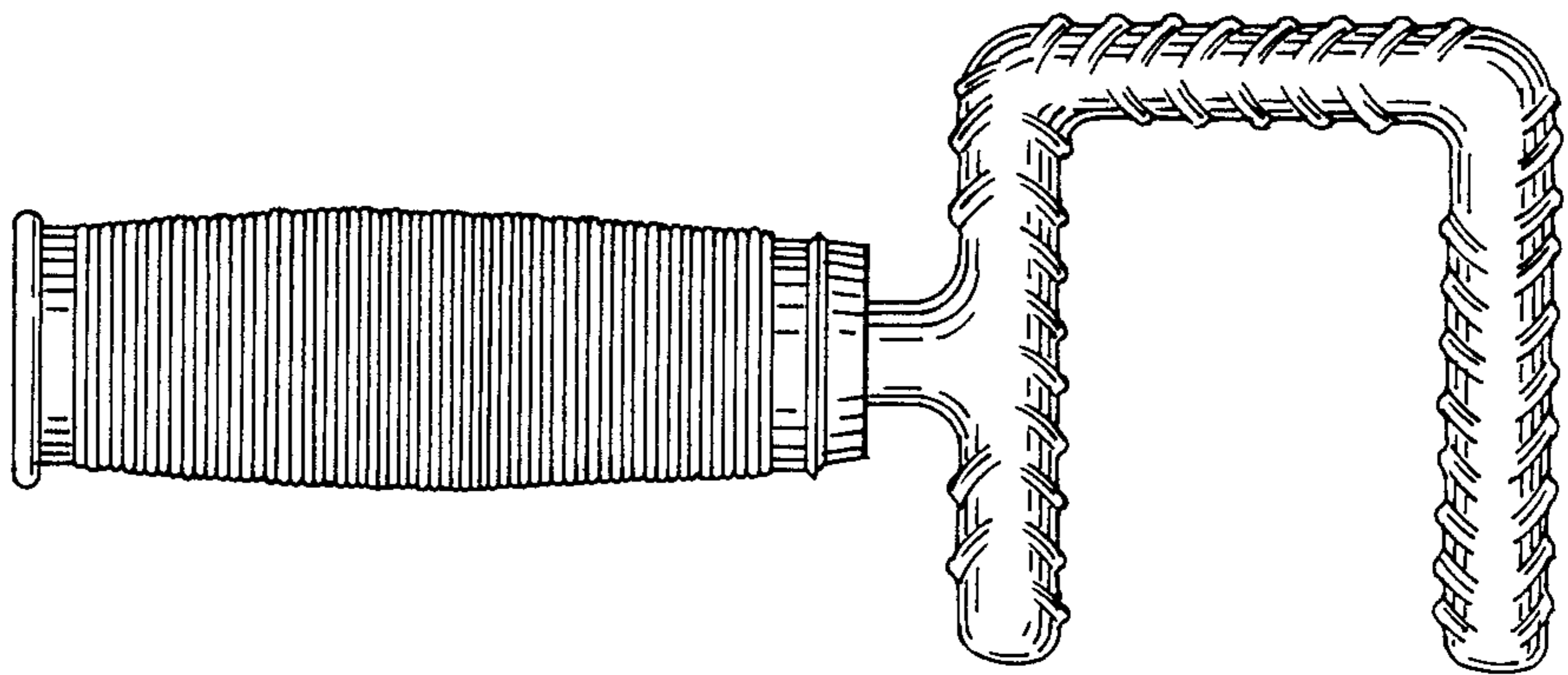


FIG. 5-

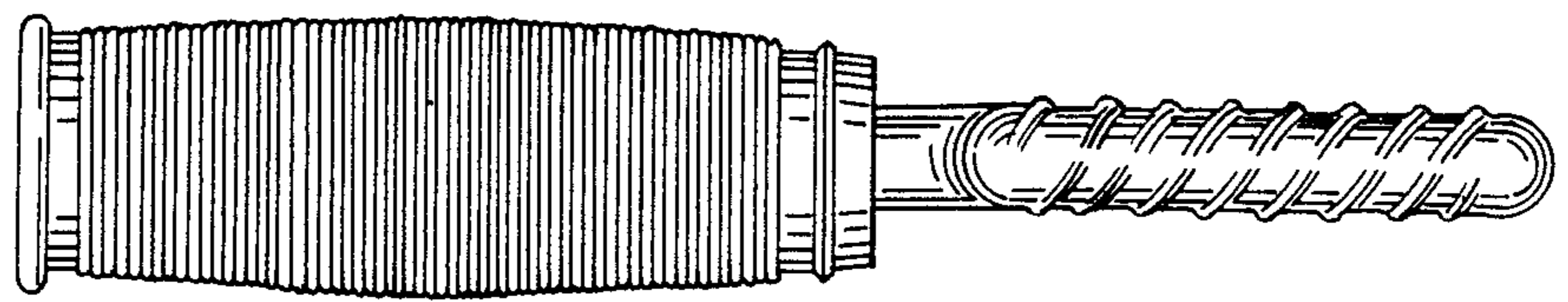
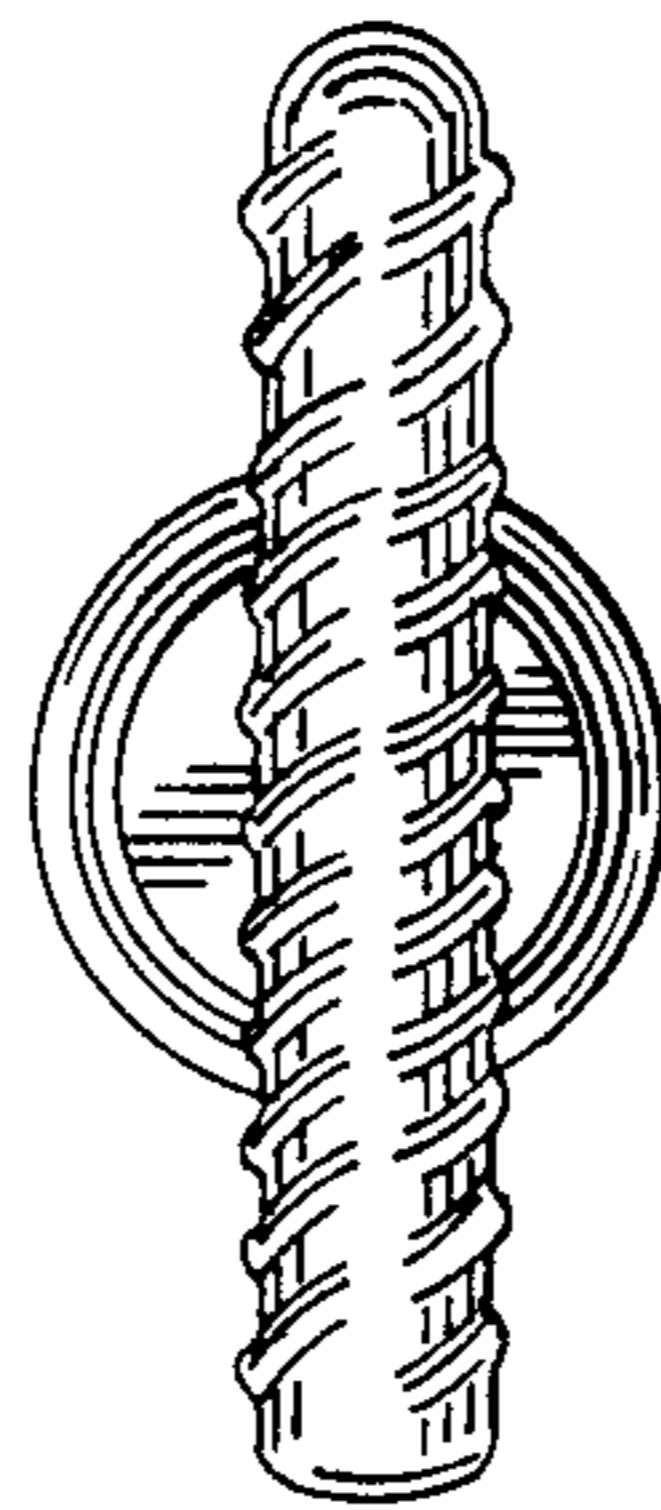


FIG. 6-



FIG. 7-



**UNITED STATES PATENT OFFICE  
CERTIFICATE OF CORRECTION**

Patent No. Des. 312,377 Dated November 27, 1990

Inventor(s) Richard J. Everding and David R. Lancaster

It is certified that error appears in the above-identified patent and that said Letters Patent is hereby corrected as shown below:

<u>Col.</u>	<u>Line</u>	
Claim	2	"grips" should read --grip--

**Signed and Sealed this  
Fifteenth Day of December, 1992**

*Attest:*

DOUGLAS B. COMER

*Attesting Officer*

*Acting Commissioner of Patents and Trademarks*