

[54] BARBECUE GRILL LIFTING TOOL

[76] Inventor: Kenneth Hessler, 1071 Dogwood Ct., Lake Zurich, Ill. 60047

[\*\*] Term: 14 Years

[21] Appl. No.: 270,307

[22] Filed: Nov. 14, 1988

[52] U.S. Cl. .... D7/601

[58] Field of Search ..... D7/669, 601; D8/71; D3/30.1, 54, 99; 294/9, 12, 1.1

[56] References Cited

U.S. PATENT DOCUMENTS

D. 270,016 8/1983 Allen ..... D3/99  
4,482,181 11/1984 Shepherd ..... 294/12

Primary Examiner—Bernard Ansher

Assistant Examiner—Terry A. Pfeffer  
Attorney, Agent, or Firm—Olson & Hierl

[57] CLAIM

The ornamental design for a barbecue grill lifting tool, as shown and described.

DESCRIPTION

FIG. 1 is a perspective view of a barbecue grill lifting tool showing my new design, the grill shown in broken lines for illustrative purposes only; FIG. 2 is a front elevational view thereof; FIG. 3 is a right side elevational view thereof; FIG. 4 is a left side elevational view thereof; FIG. 5 is a rear elevational view thereof; FIG. 6 is a top view thereof; FIG. 7 is a bottom view thereof; and FIG. 8 is a perspective view of an alternate embodiment of FIG. 1.

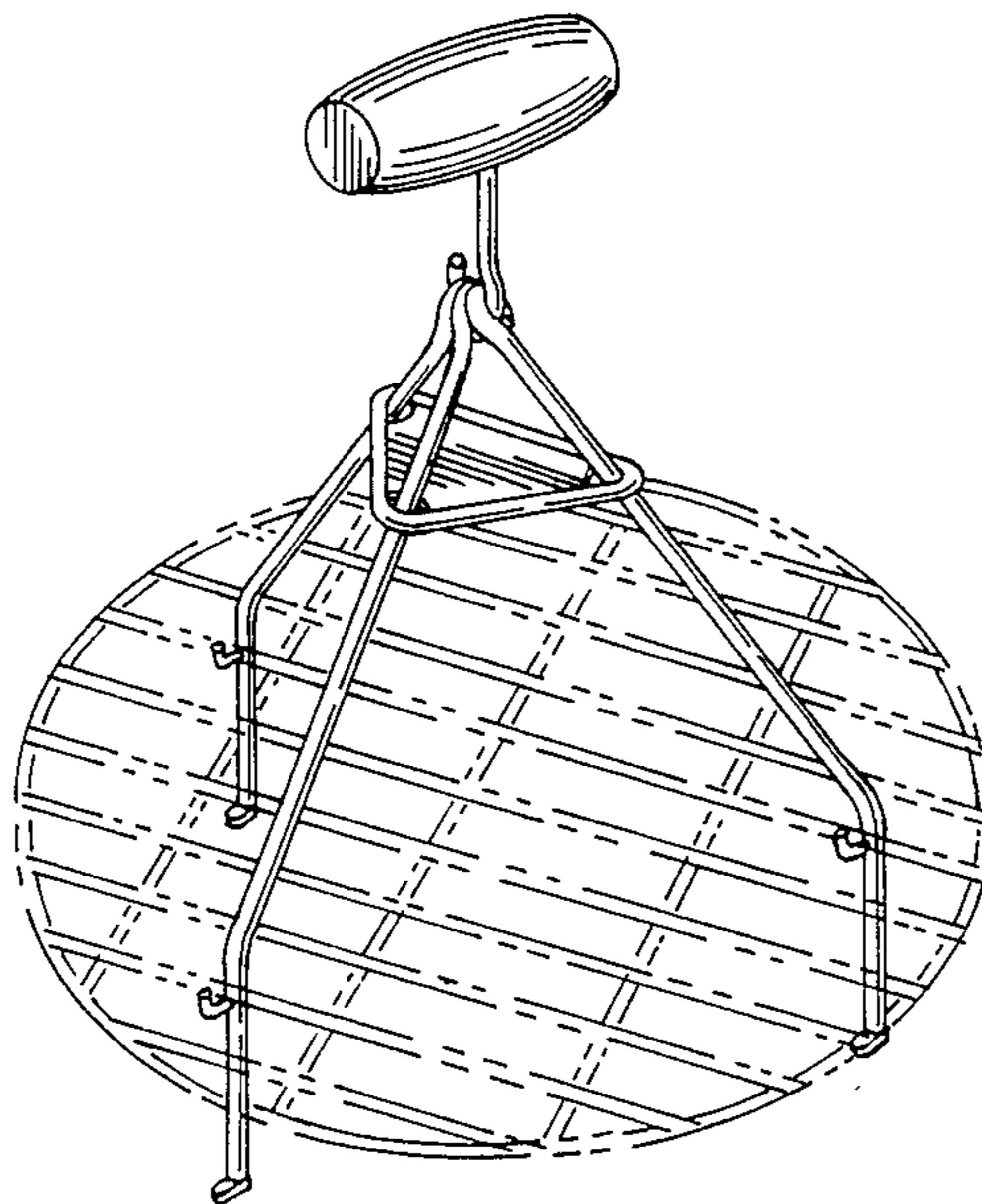


FIG. 1

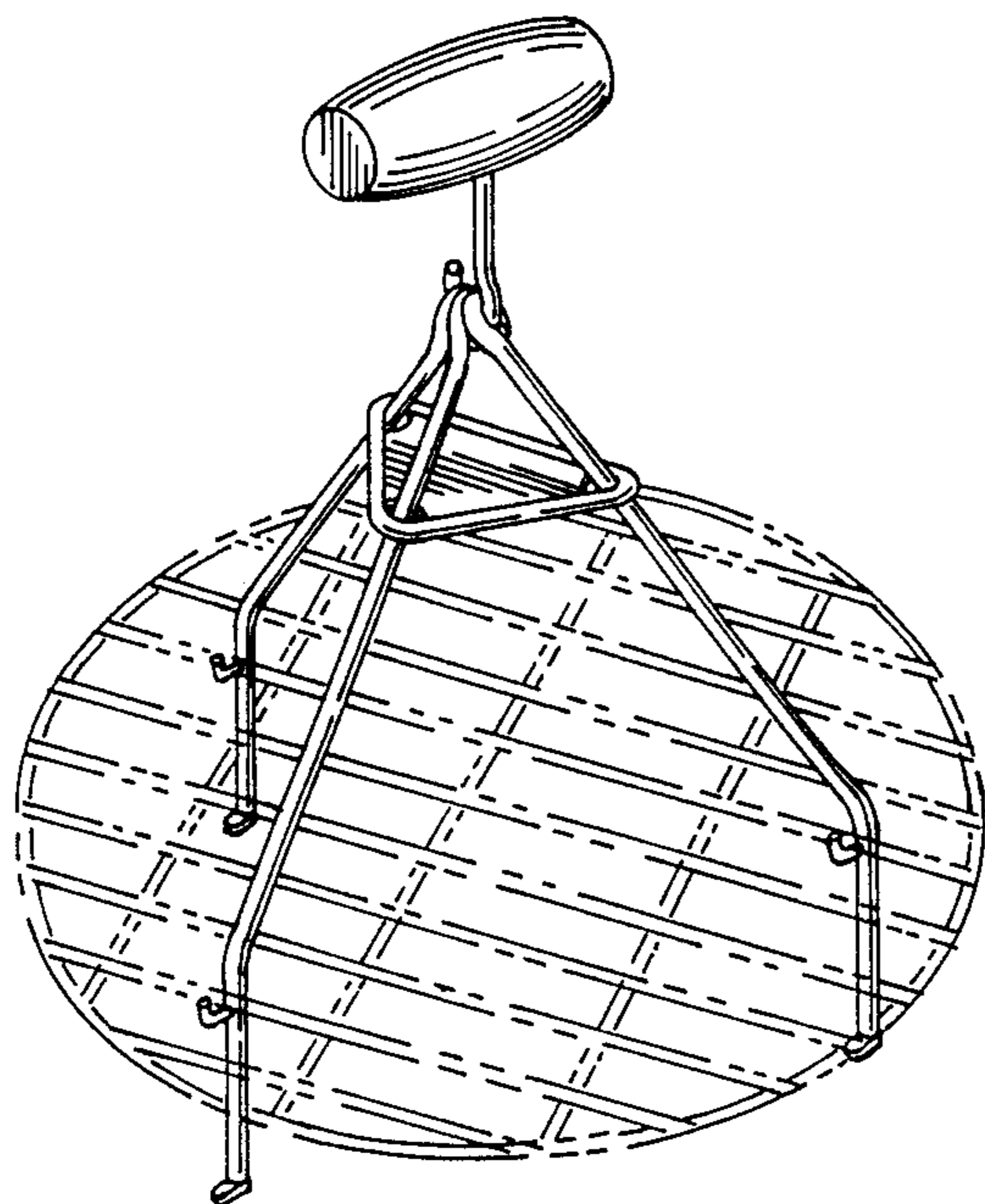


FIG. 8

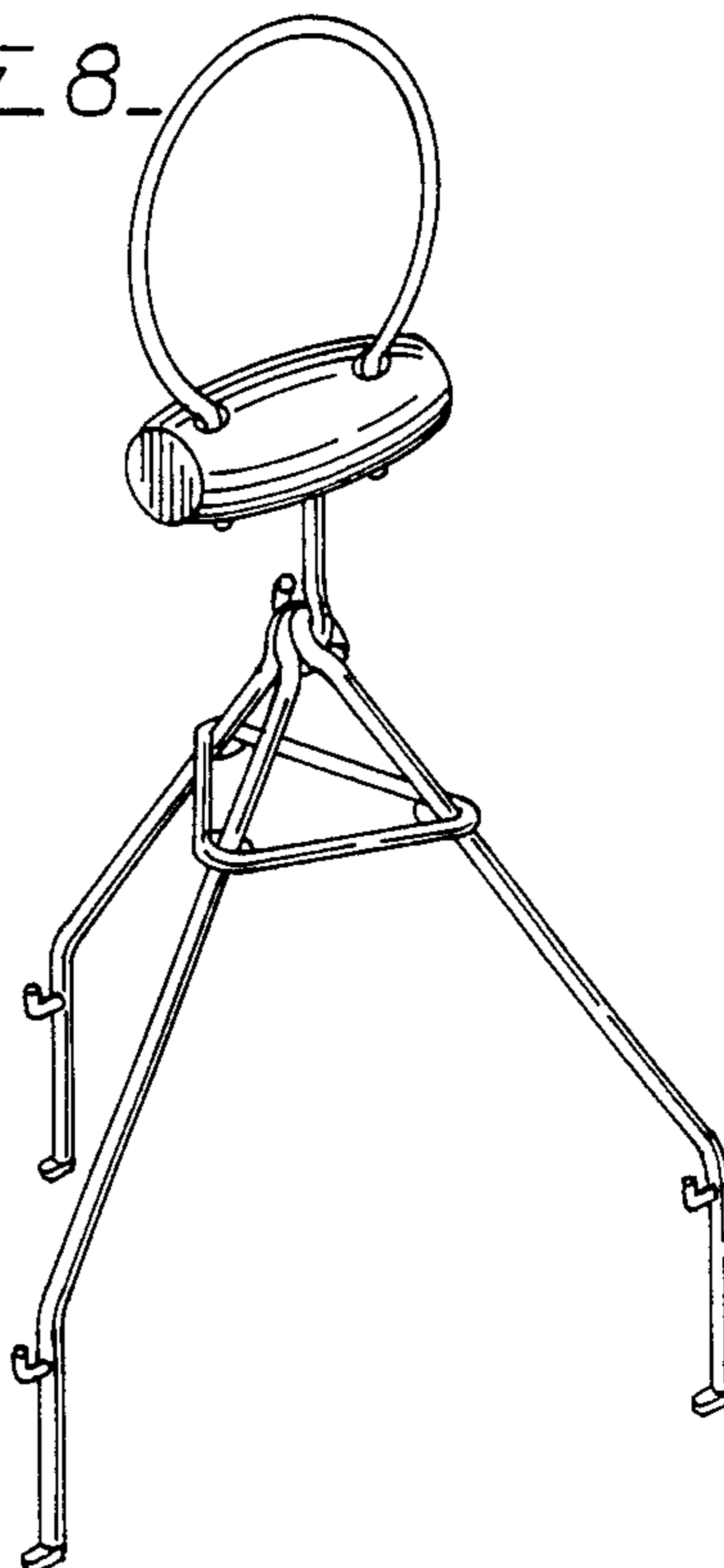


FIG. 2

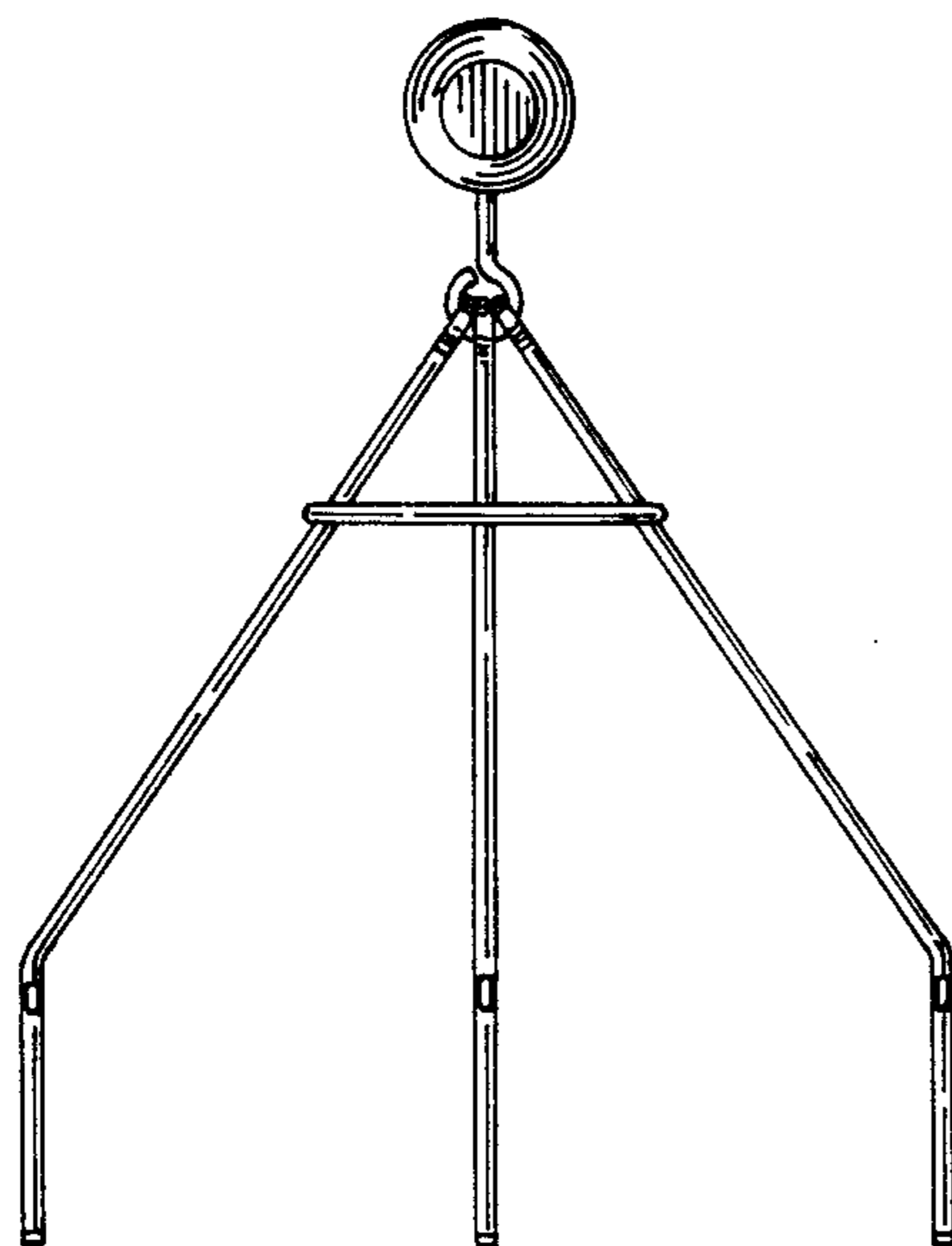


FIG. 3

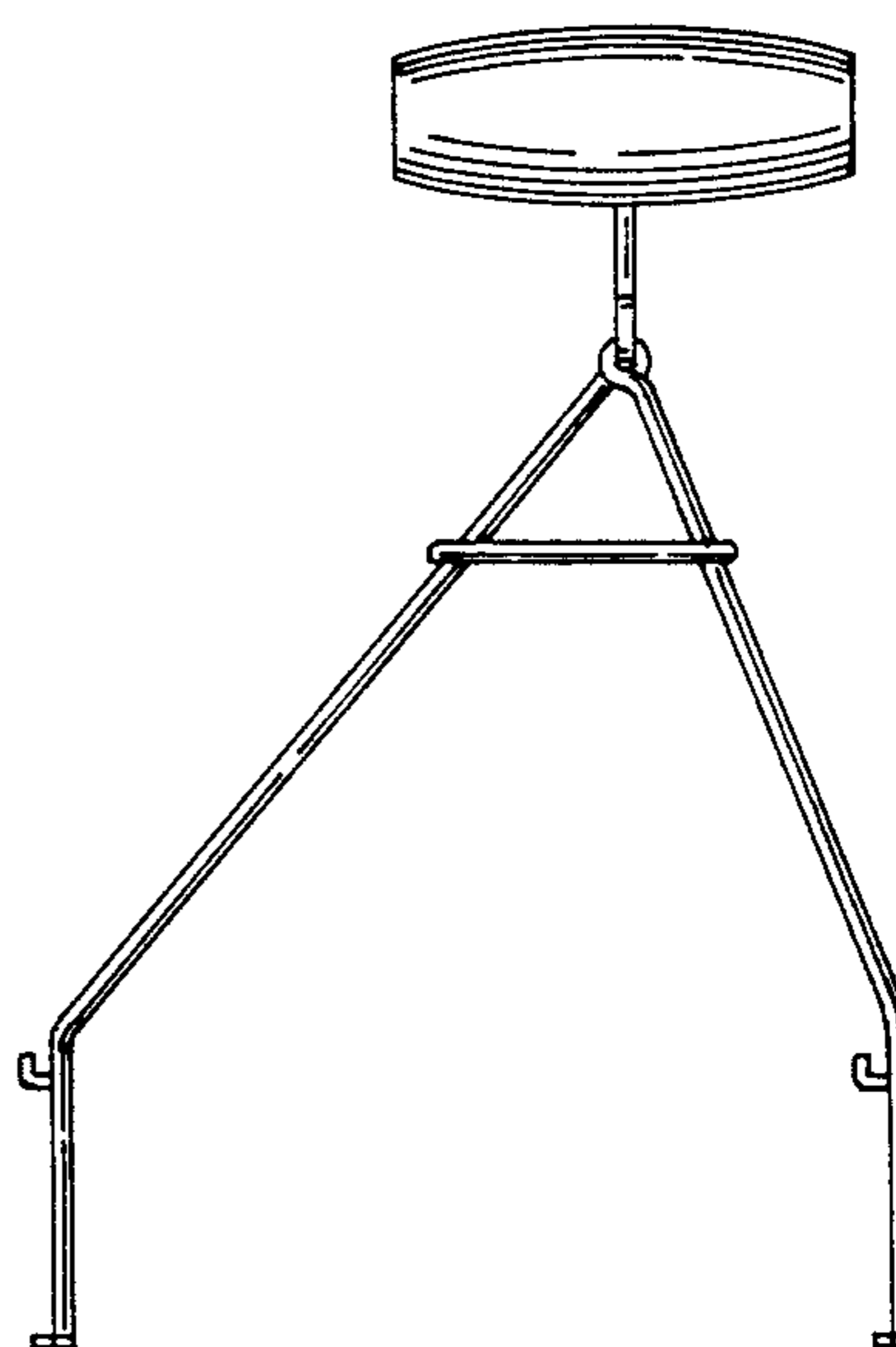


FIG. 4

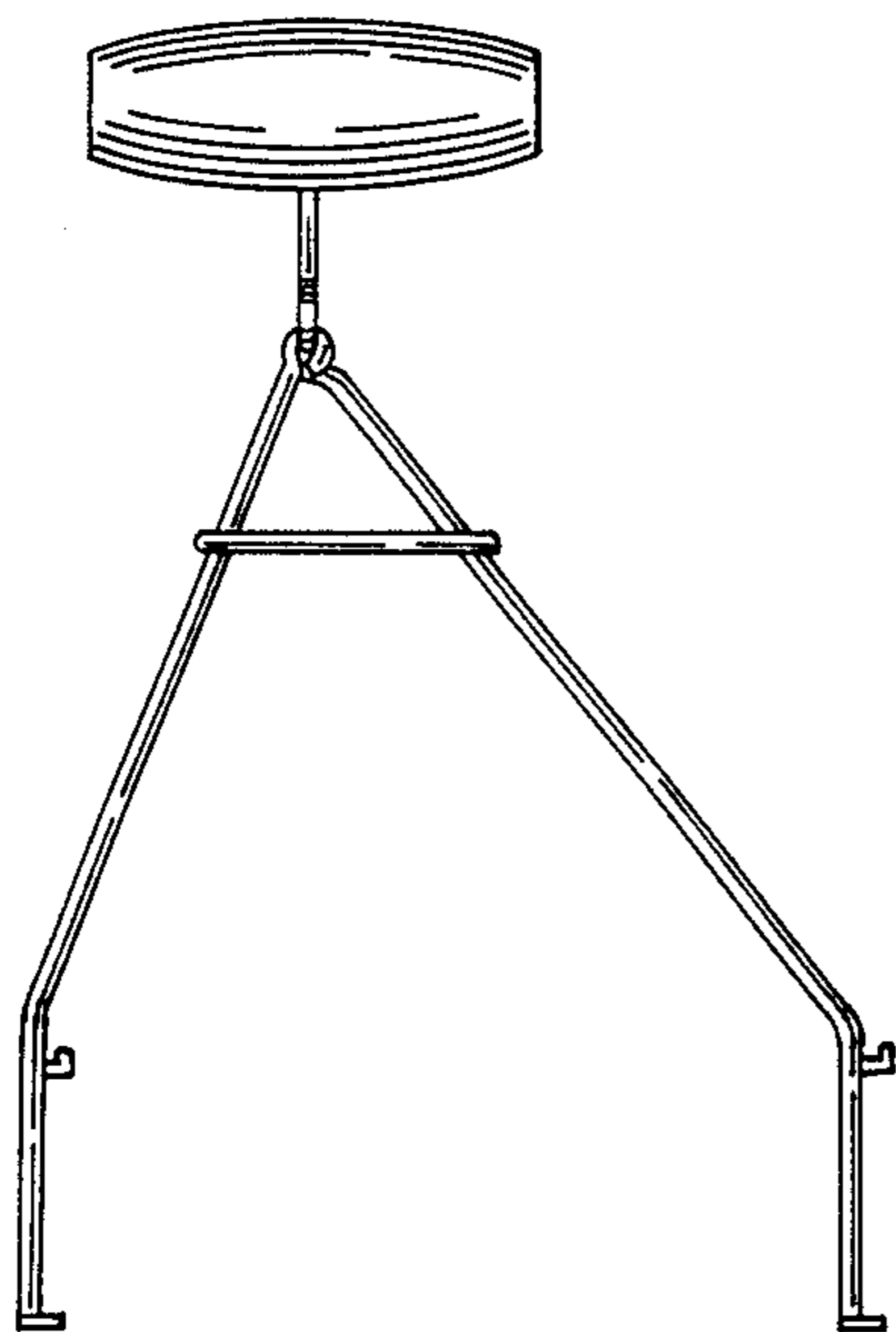


FIG. 5

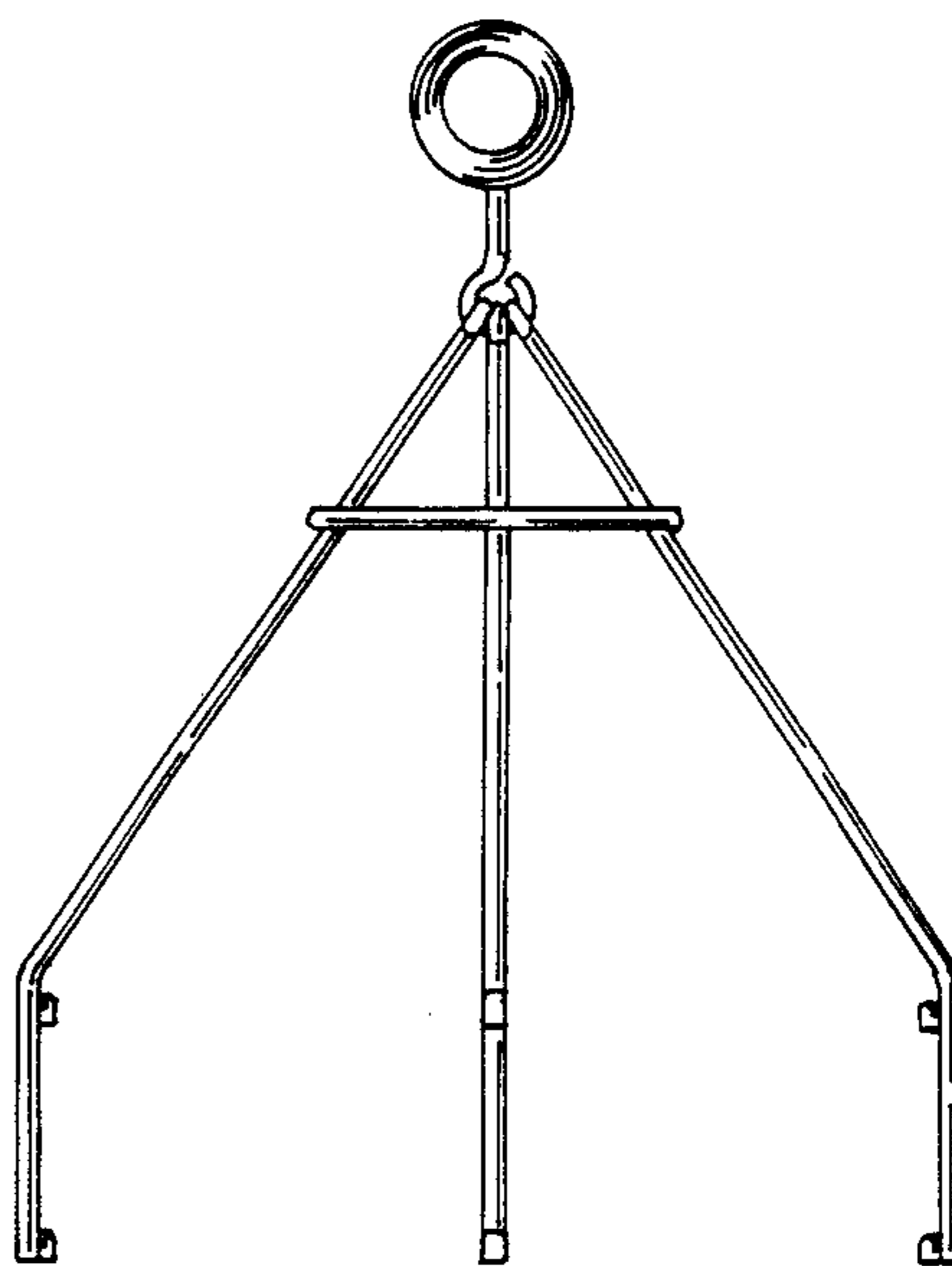


FIG. 6

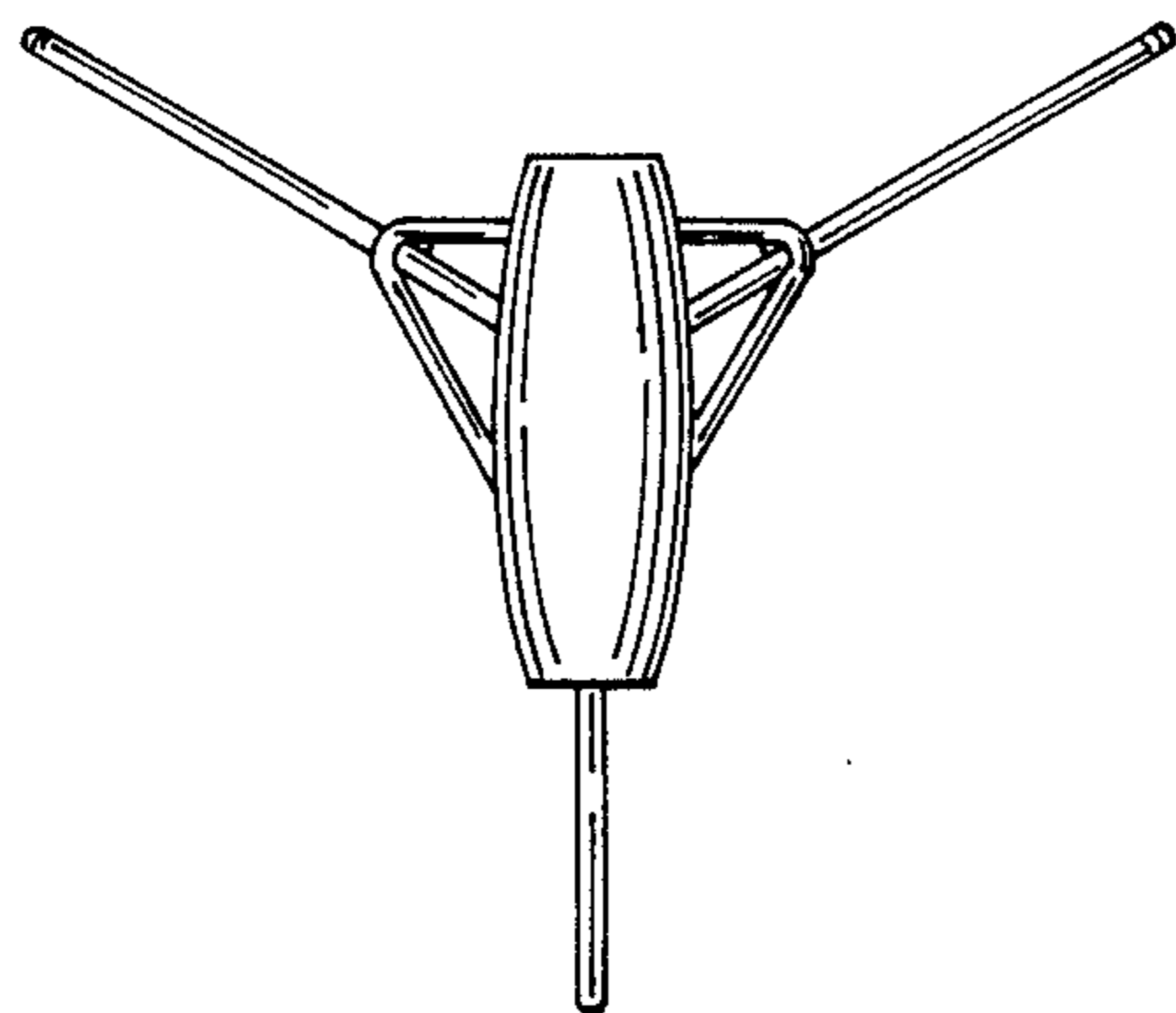


FIG. 7

