

[54] **COFFEE GROUNDS RECEPTACLE AND STRAINER UNIT**

[75] Inventor: **Edward A. Kozloski**, Babylon Village, N.Y.
[73] Assignee: **Kraft General Foods, Inc.**, Glenview, Ill.

[**] Term: **14 Years**

[21] Appl. No.: **130,841**

[22] Filed: **Dec. 9, 1987**

[52] U.S. Cl. **D7/400; D7/667**

[58] Field of Search **D7/309, 310, 397, 399, D7/400, 667, 300, 312, 397, 305, 213; 99/295, 323; 210/473, 474, 475**

[56] **References Cited**

U.S. PATENT DOCUMENTS

3,007,392	11/1961	Pecoraro et al.	99/323	X
3,345,935	10/1967	Waline	99/295	
3,365,063	1/1968	Cobb et al.	210/473	X
4,846,970	7/1989	Bertelsen et al.	210/475	X

OTHER PUBLICATIONS

Mr. Coffee® *Supplement to Home Furnishings Daily*, Jun. 24, 1976 pp. 3, 2, "Coffee-Saver" Filter Basket Shown.

Primary Examiner—Winifred E. Herrmann
Attorney, Agent, or Firm—Thomas R. Savoie; Jay Myrick

[57] **CLAIM**

The ornamental design for a coffee grounds receptacle and strainer unit, as shown and described.

DESCRIPTION

FIG. 1 is a top, front and left side perspective view of a coffee grounds receptacle and strainer unit showing my new design;
FIG. 2 is a left side elevational thereof;
FIG. 3 is a front elevation thereof;
FIG. 4 is a top plan view thereof;
FIG. 5 is a bottom plan view thereof;
FIG. 6 is a top, rear and right side perspective view thereof;
FIG. 7 is a right side elevation thereof; and
FIG. 8 is a rear elevation thereof.

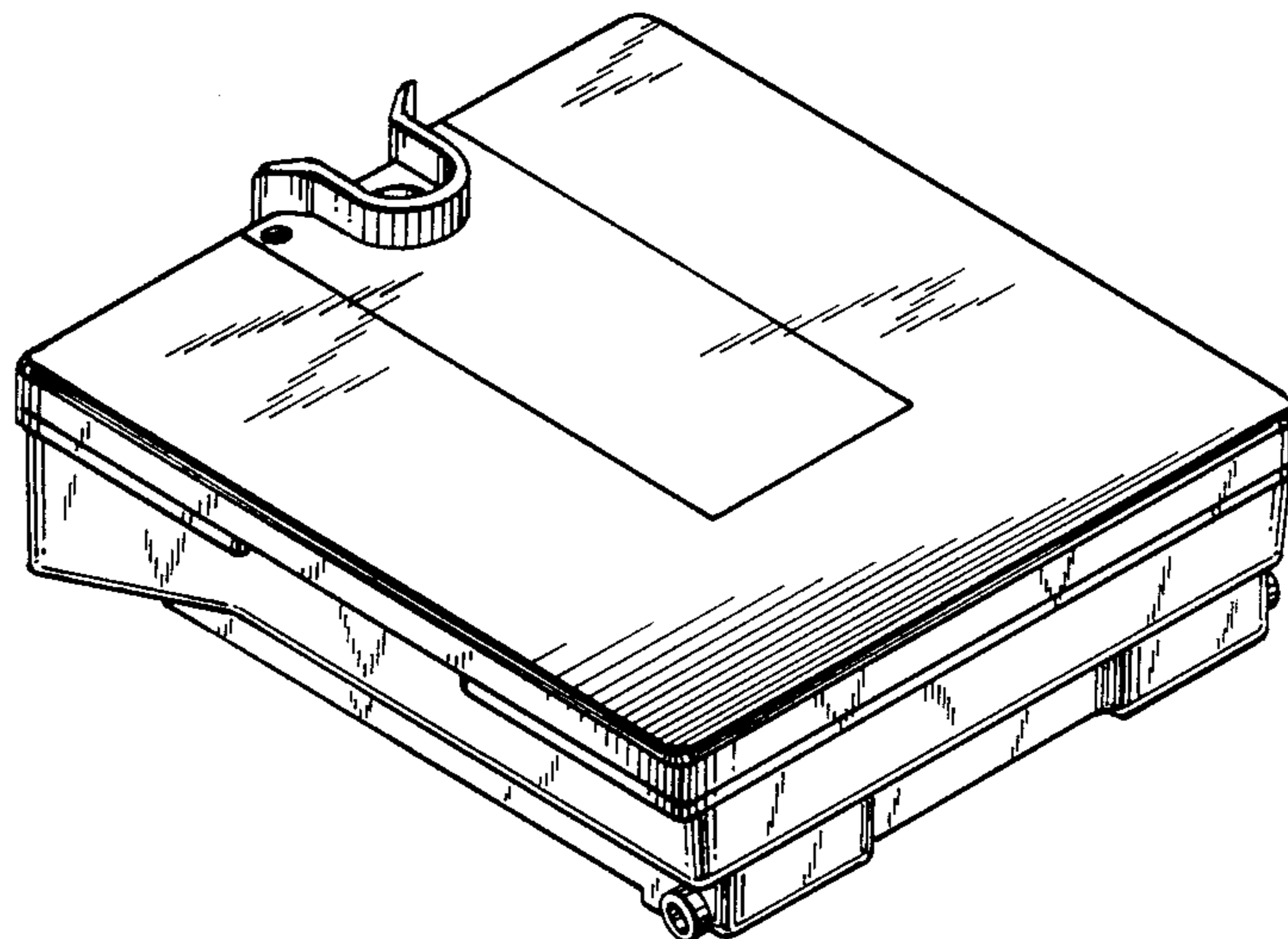


FIG.1

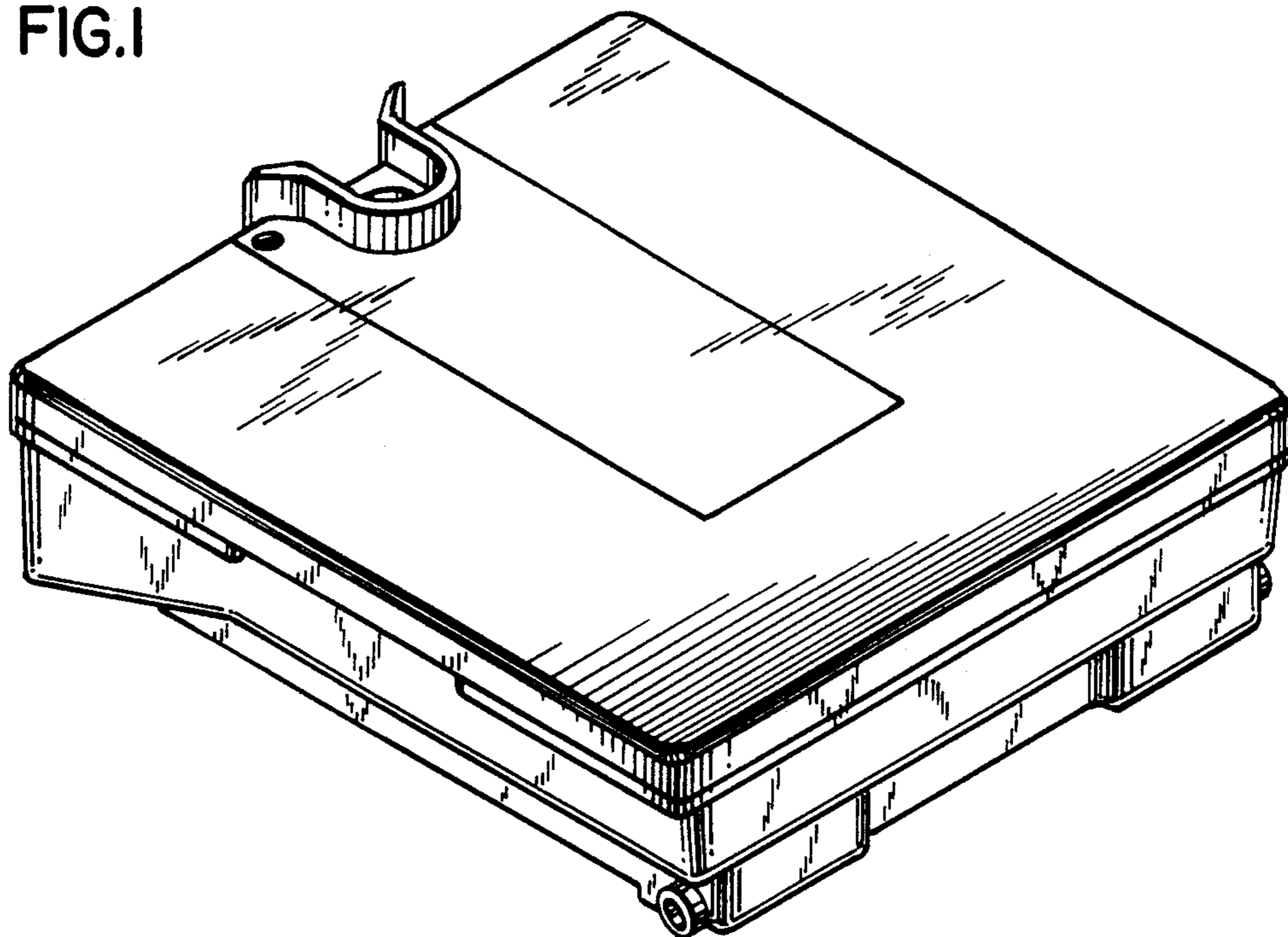


FIG.2

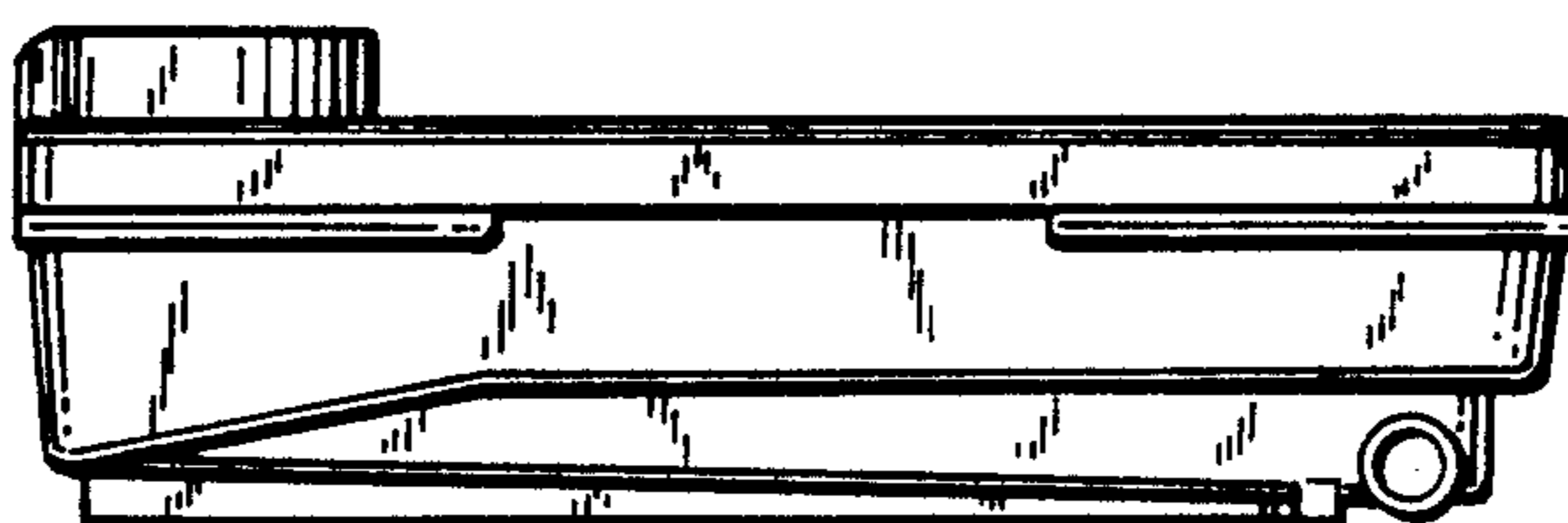


FIG.3

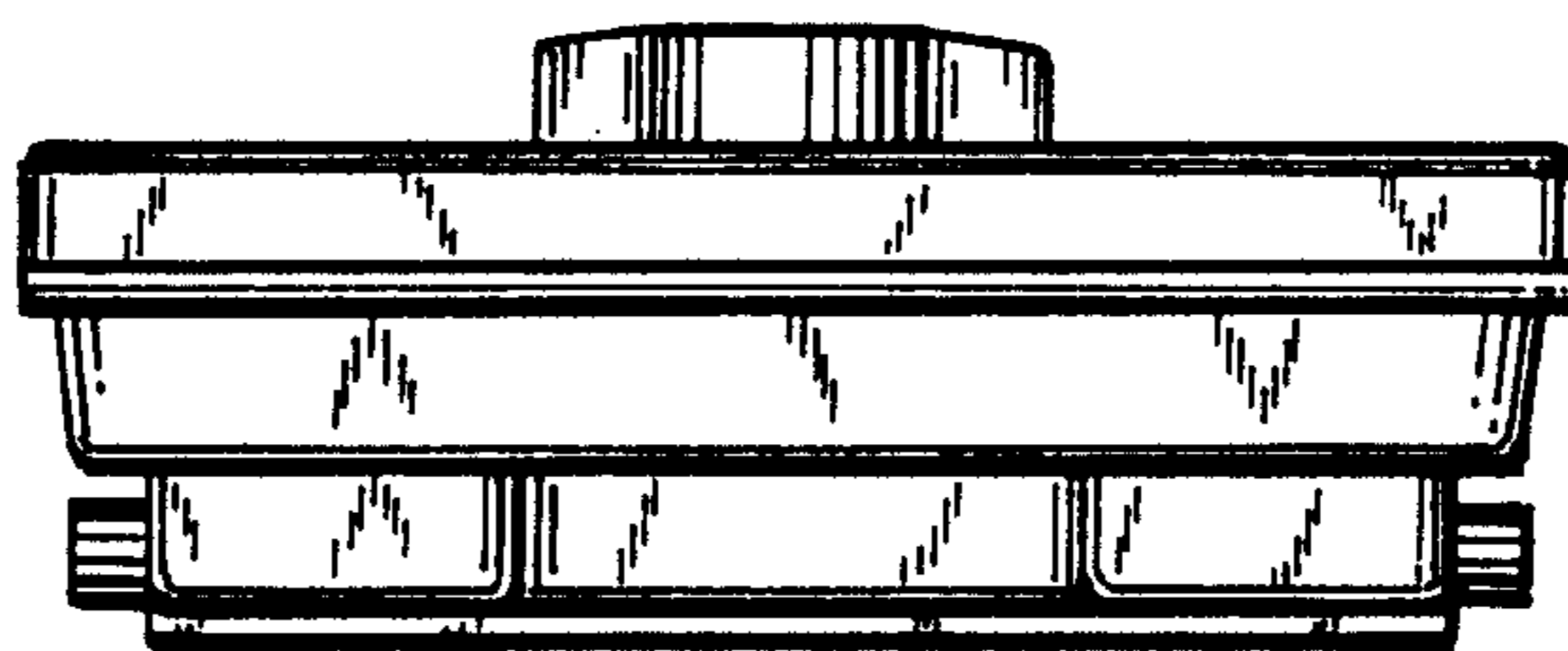


FIG. 4

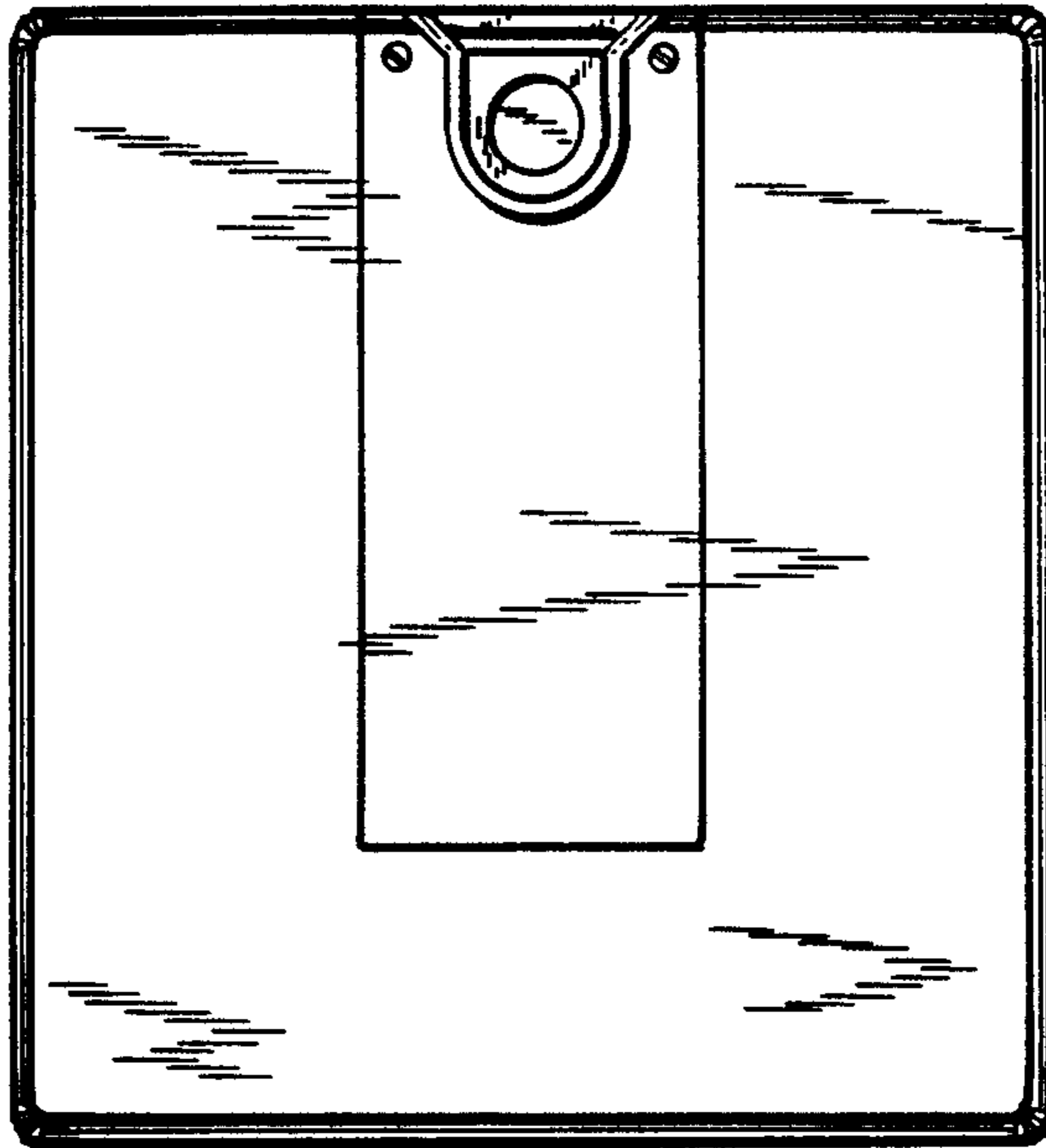


FIG. 5

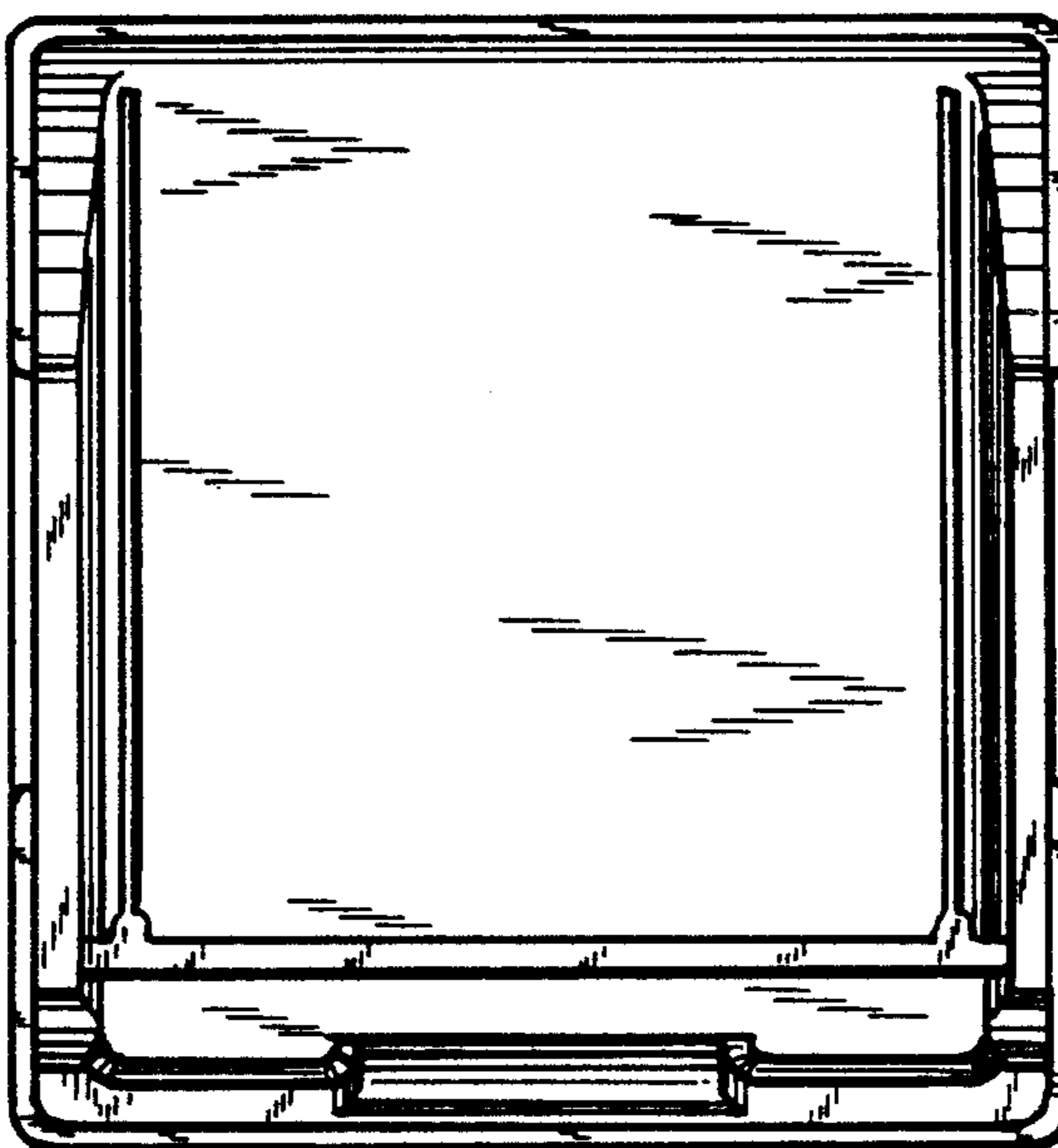


FIG. 6

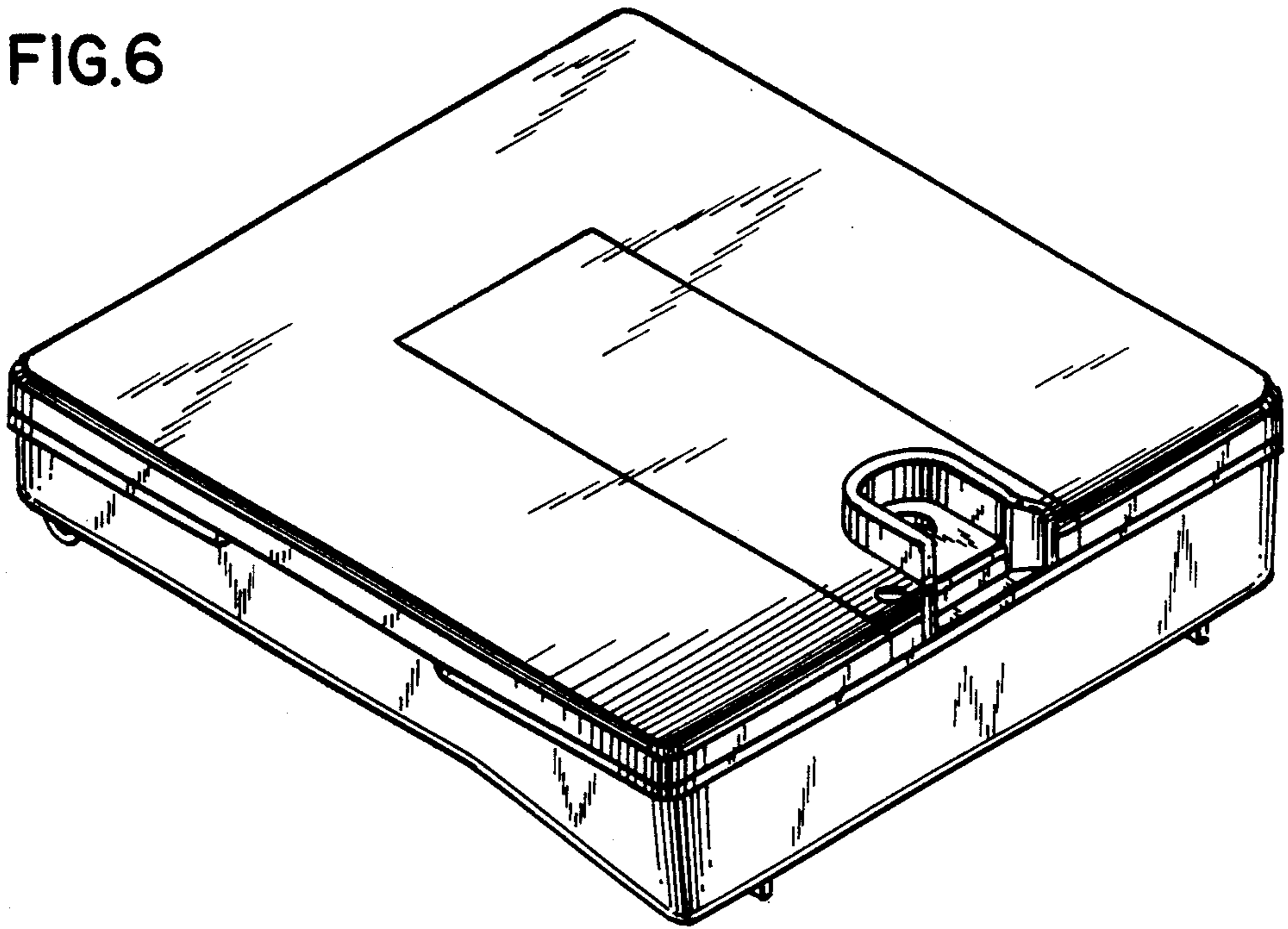


FIG. 7

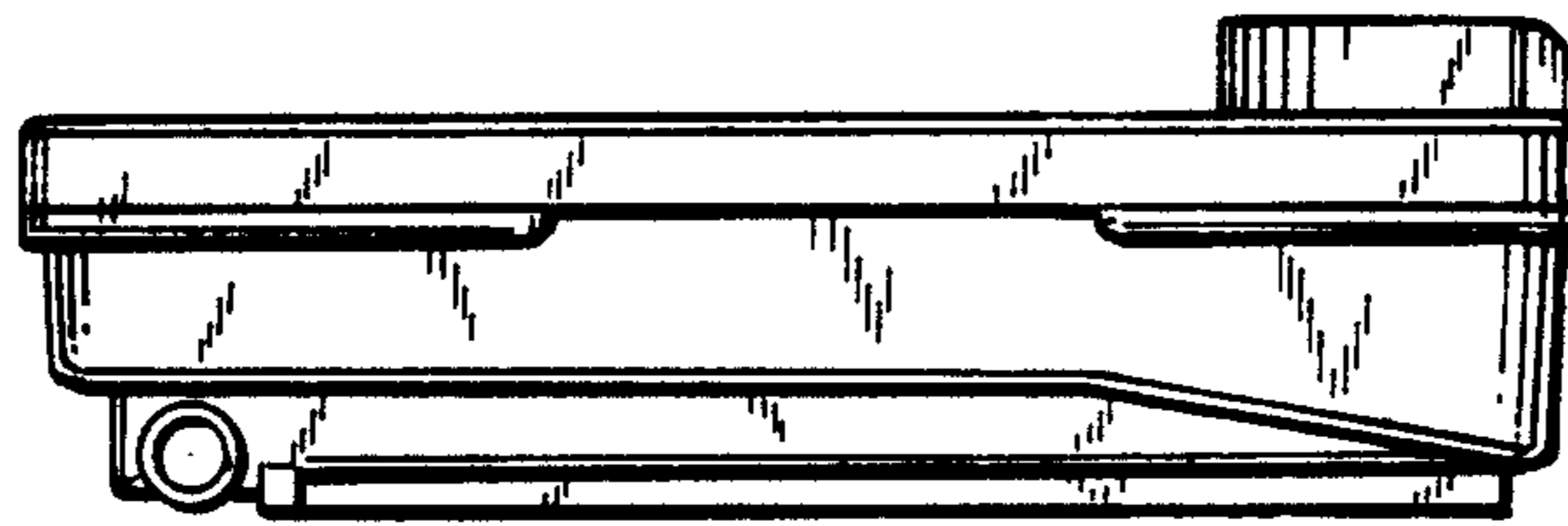


FIG. 8

