

[54] **CONTOURED BEACH PILLOW**  
[76] **Inventor: Kathleen Rutherford, 6485 N. Snowview Dr., Park City, Utah 84060-6122**  
[\*\*] **Term: 14 Years**  
[21] **Appl. No.: 280,207**  
[22] **Filed: Dec. 5, 1988**  
[52] **U.S. Cl. .... D6/601; D6/596**  
[58] **Field of Search ..... D6/595-596, D6/601, 604-605; 5/417, 419-420, 431-432, 434, 436, 441, 443, 446, 448-451, 455, 462, 470-474**

3,829,917 8/1974 DeLaittre et al. .... D6/601 X  
4,748,702 6/1988 Sandler ..... 5/436 X  
4,803,743 2/1989 Greenwalt ..... 5/434

*Primary Examiner*—Wallace R. Burke  
*Assistant Examiner*—Brian N. Vinson  
*Attorney, Agent, or Firm*—Bernhard Kreten

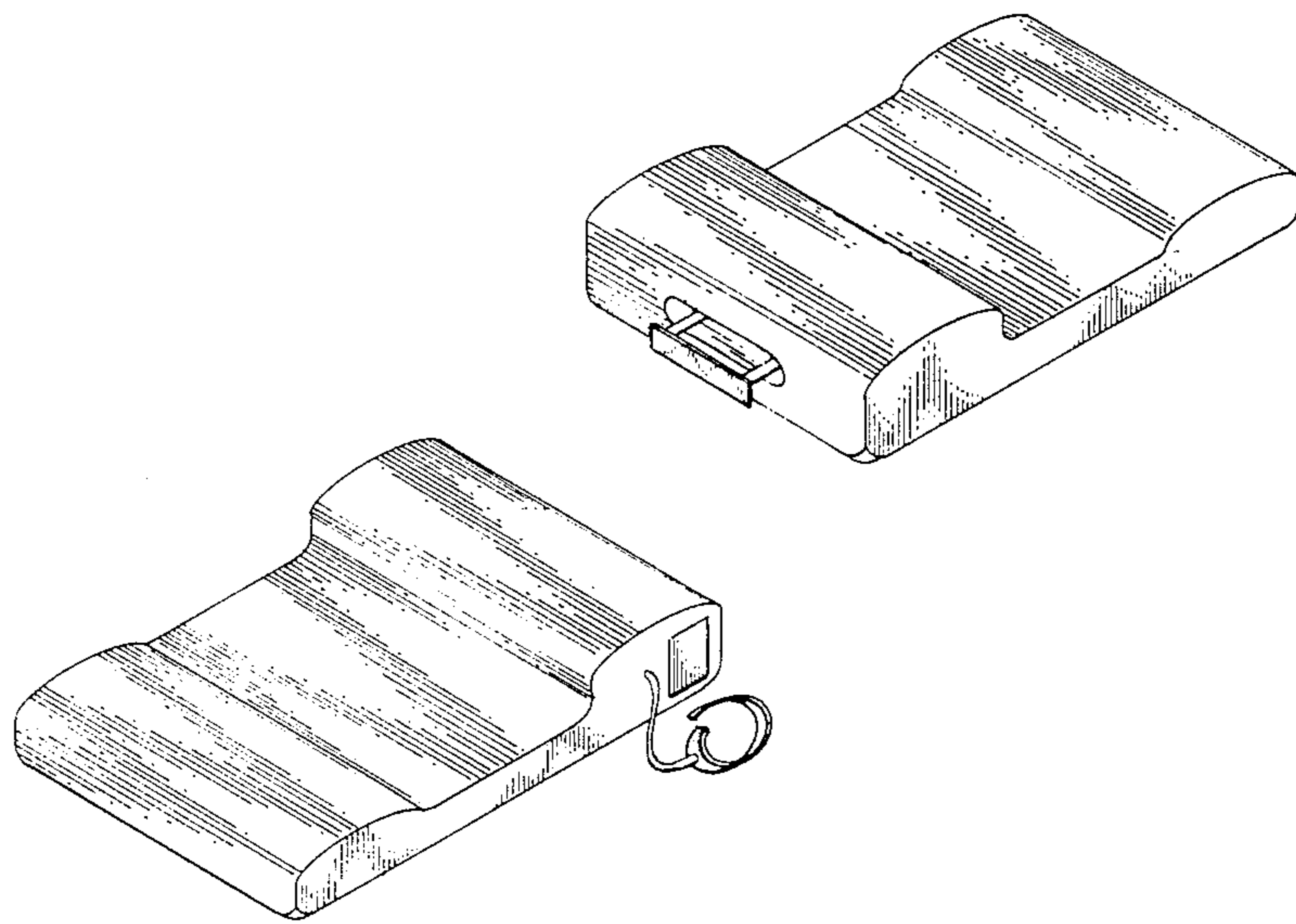
[57] **CLAIM**

The ornamental design for a contoured beach pillow, as shown and described.

**DESCRIPTION**

FIG. 1 is a top, rear, and left side perspective view of a contoured beach pillow showing my new design; FIG. 2 is a top, front, and right side perspective view thereof; FIG. 3 is a left side elevational view thereof; FIG. 4 is a right side elevational view thereof; FIG. 5 is a top plan view thereof; FIG. 6 is a bottom plan view thereof; FIG. 7 is a rear elevational view thereof; and FIG. 8 is a front elevational view thereof. The handle element is shown in a retracted position in FIGS. 3, 5 and 6.

[56] **References Cited**  
**U.S. PATENT DOCUMENTS**  
D. 220,823 5/1971 Howe .  
D. 246,626 12/1977 Shenk ..... D6/601  
D. 248,141 0/1978 Forsland .  
D. 254,029 1/1980 Barbagallo .  
D. 267,299 12/1982 Lund, III .  
D. 284,032 5/1986 Wahl et al. .... D6/596  
3,333,286 8/1967 Biolik .



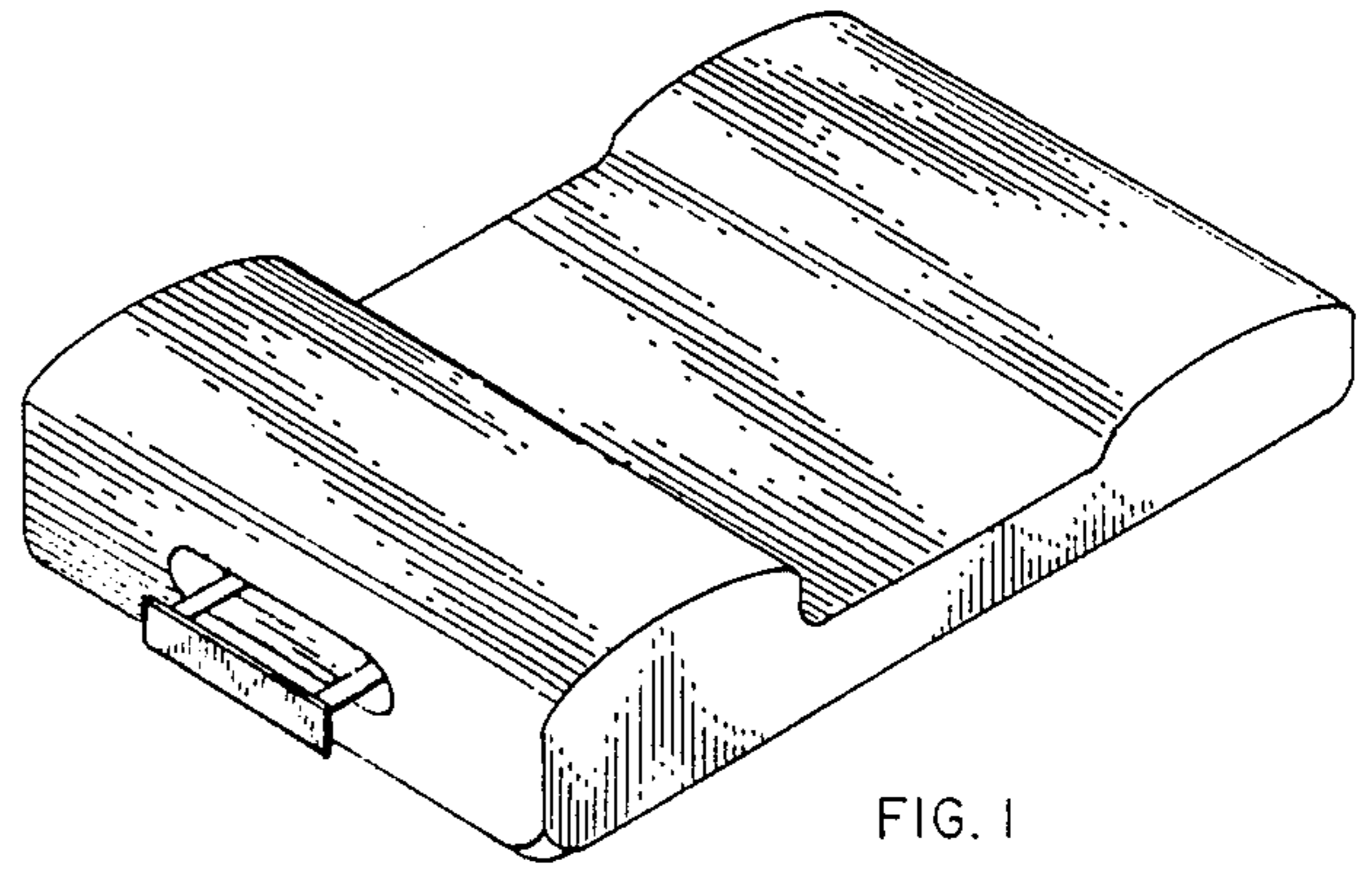


FIG. 1

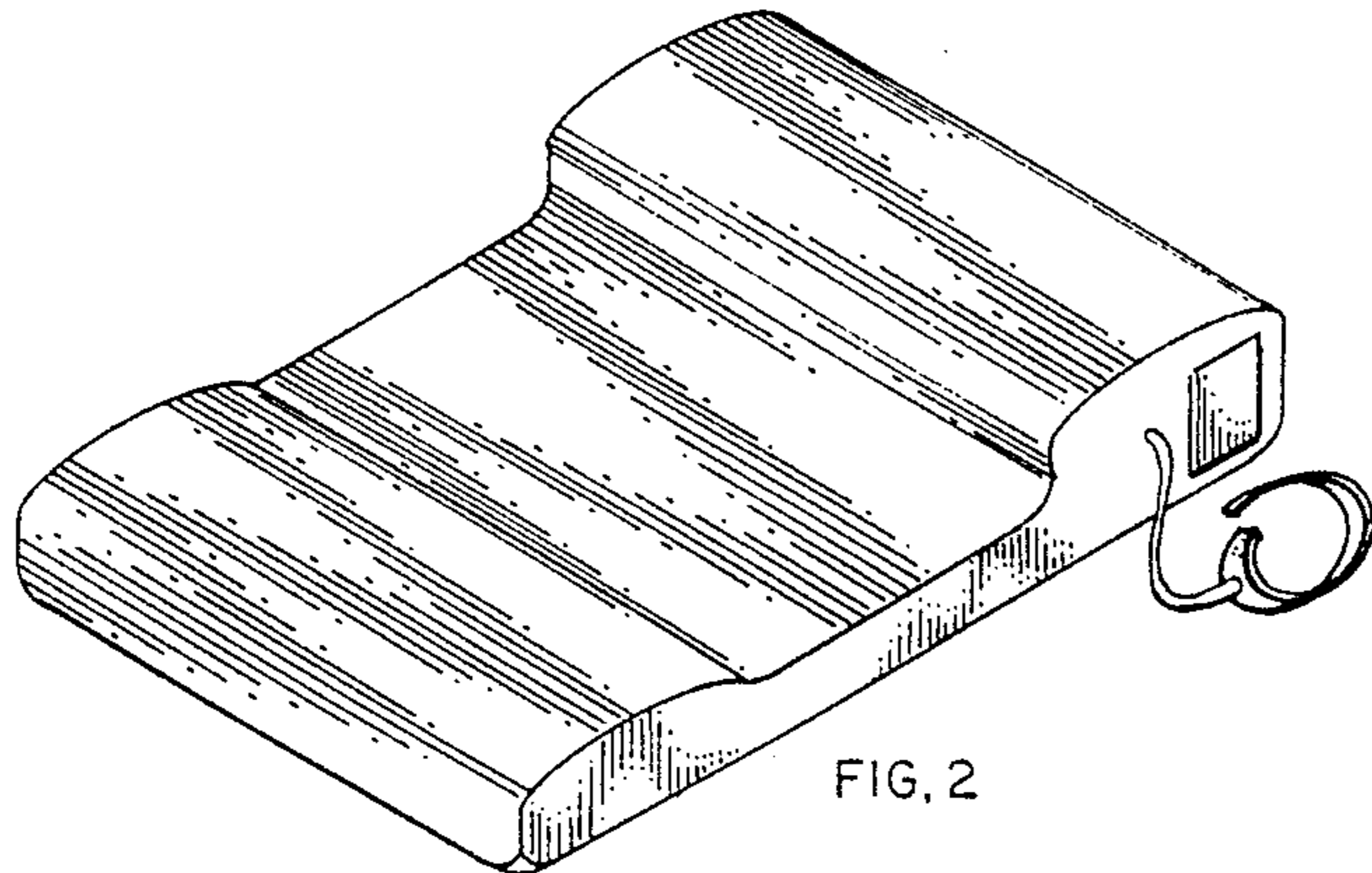


FIG. 2



FIG. 3



FIG. 4

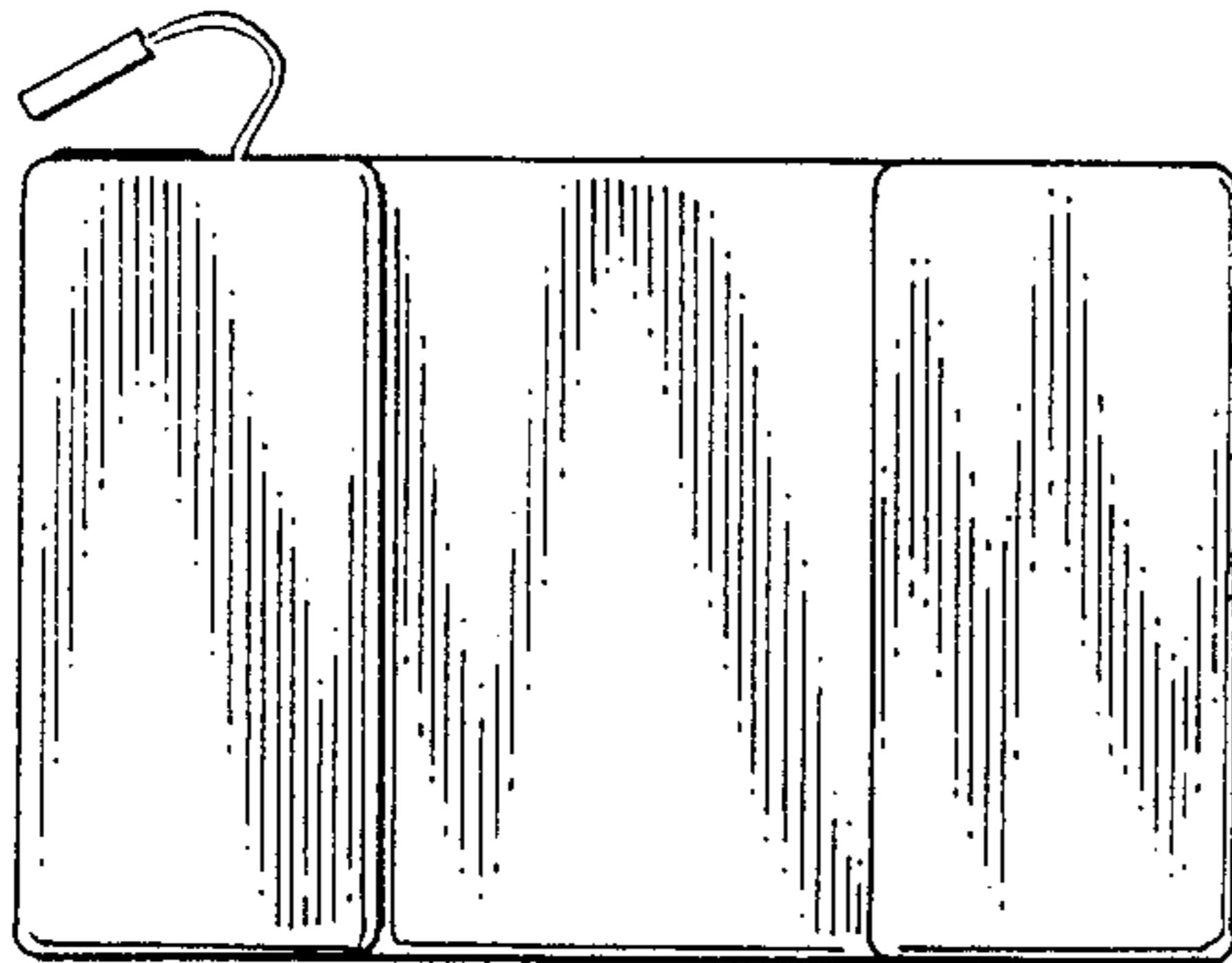


FIG. 5

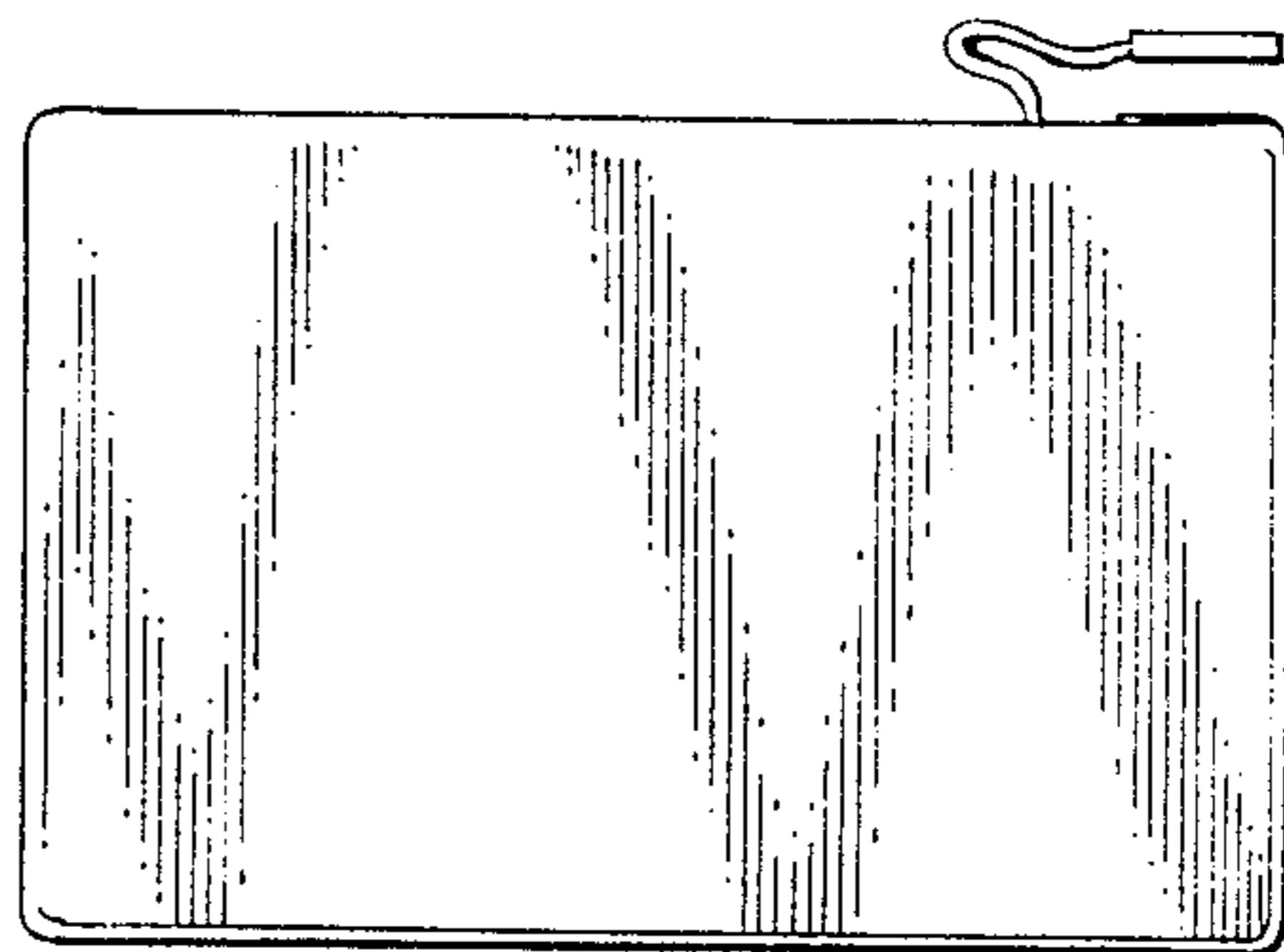


FIG. 6



FIG. 7

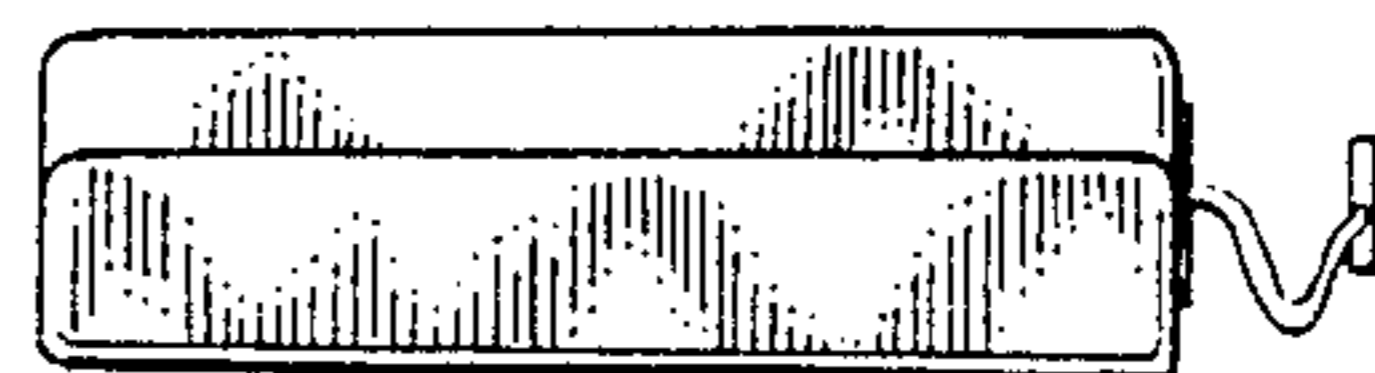


FIG. 8