

[54] PAPER TOWEL DISPENSER OR THE LIKE

[75] Inventors: Raymond F. De Luca, Stamford, Conn.; Eric S. Seger, Wantagh, N.Y.

[73] Assignee: Georgia-Pacific Corporation, Atlanta, Ga.

[**] Term: 14 Years

[21] Appl. No.: 294,584

[22] Filed: Jan. 9, 1989

[52] U.S. Cl. D6/522; D6/518

[58] Field of Search D6/515, 518, 520, 522, D6/523; 312/37-39; 242/55.2, 55.3, 55.53; 222/99-100, 173; 221/22, 30, 33, 45, 282, 284; 211/45; 206/389, 391

[56] References Cited

U.S. PATENT DOCUMENTS

D. 236,174	8/1975	Bahnsen	D6/522
D. 263,180	3/1982	Herbst	D6/522
D. 270,119	8/1983	Rhodenbaugh	D6/515 X
D. 284,247	6/1986	Fine	D6/518 X
D. 288,161	2/1987	Payne, Jr. et al.	D6/518 X
1,170,380	2/1916	Winter	D6/518 X
3,301,617	1/1967	Goodwin et al.	242/55.53 X
3,843,218	10/1974	Krueger et al.	242/55.53 X

Primary Examiner—Wallace R. Burke
Assistant Examiner—Brian N. Vinson

Attorney, Agent, or Firm—Banner, Birch, McKie & Beckett

[57] CLAIM

The ornamental design for a paper towel dispenser or the like, as shown and described.

DESCRIPTION

FIG. 1 is a top, front, and right side perspective view of a paper towel dispenser or the like showing our new design;

FIG. 2 is a front elevational view thereof;

FIG. 3 is a right side elevational view thereof;

FIG. 4 is a left side elevational view thereof;

FIG. 5 is a top plan view thereof;

FIG. 6 is a bottom plan view thereof;

FIG. 7 is a top, front and right side perspective view of an alternate embodiment thereof;

FIG. 8 is a front elevational view of the embodiment of FIG. 7;

FIG. 9 is a right side elevational view of the embodiment of FIG. 7;

FIG. 10 is a left side elevational view of the embodiment of FIG. 7;

FIG. 11 is a top plan view of the embodiment of FIG. 7; and

FIG. 12 is a bottom plan view of the embodiment of FIG. 7.

The rear of both embodiments is plain and unornamented.

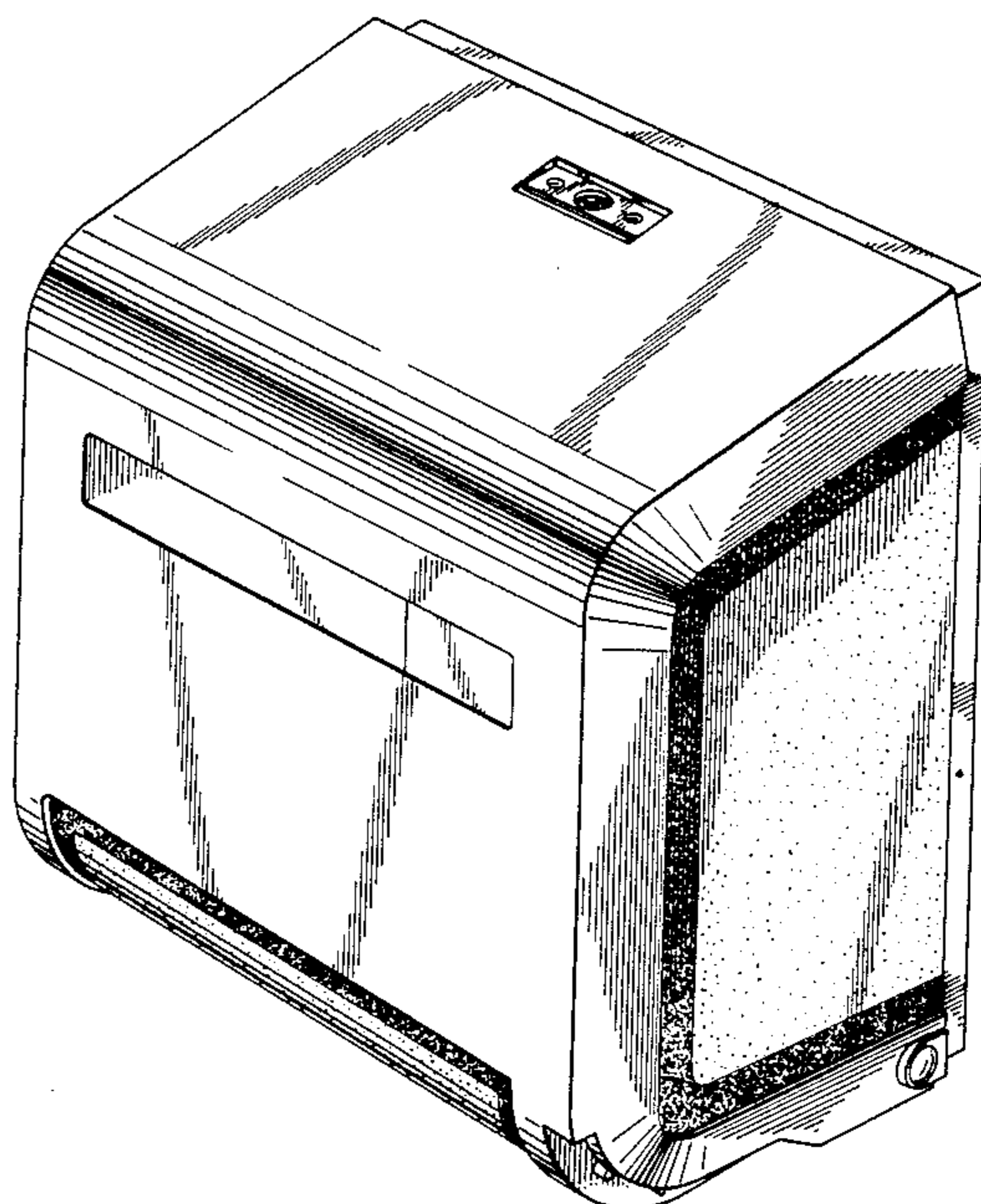
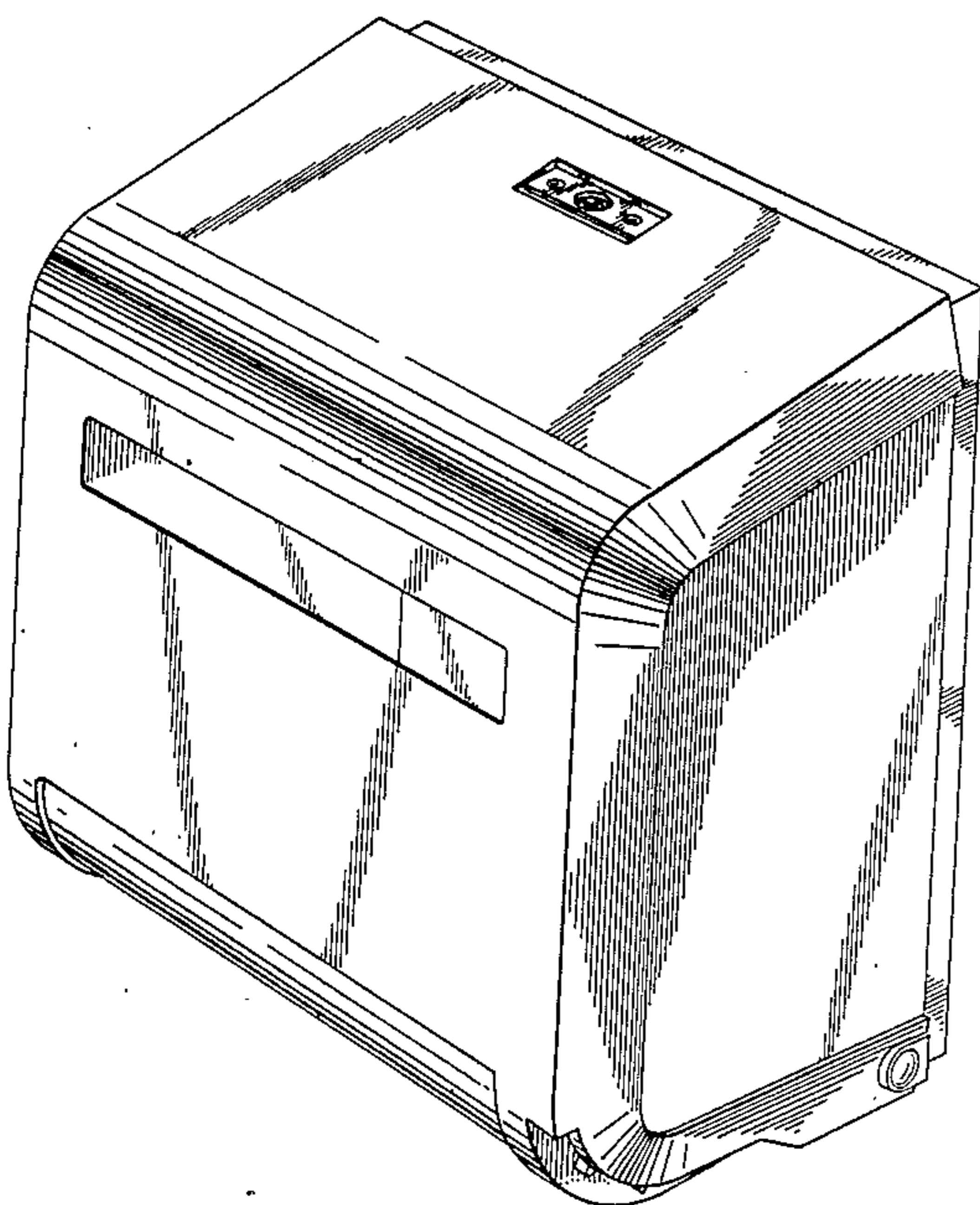


FIG. 1

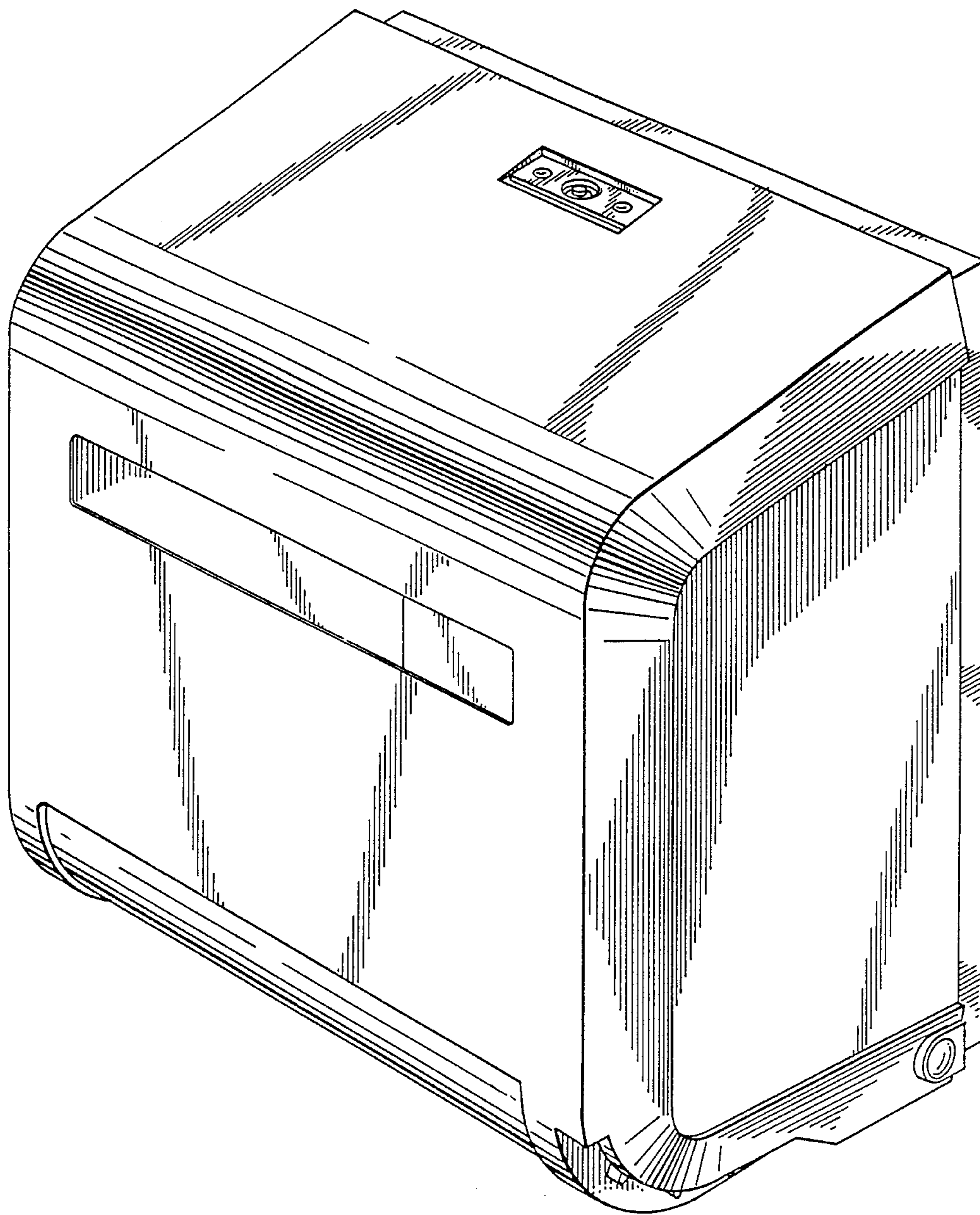


FIG. 2

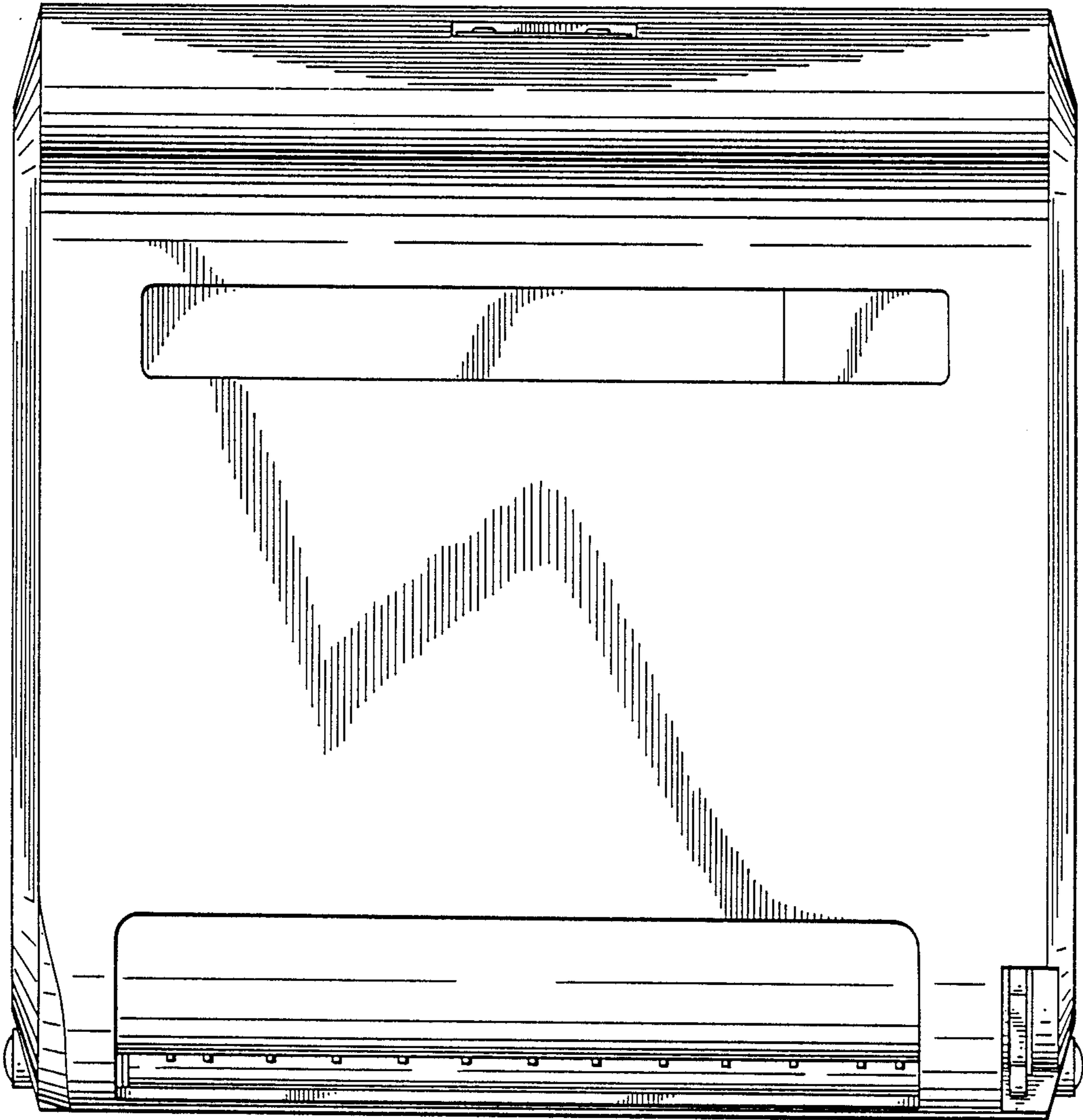


FIG. 4

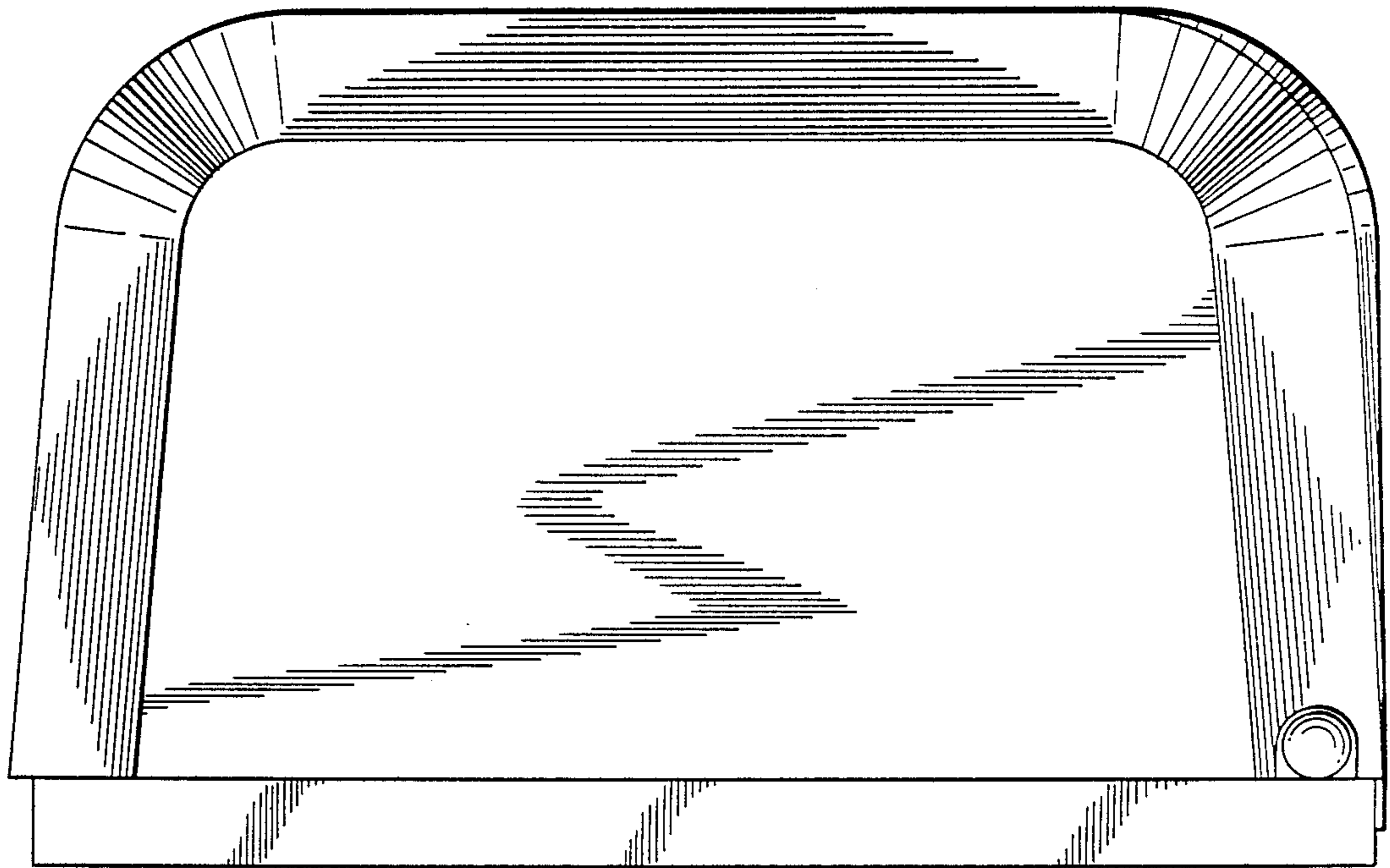


FIG. 3

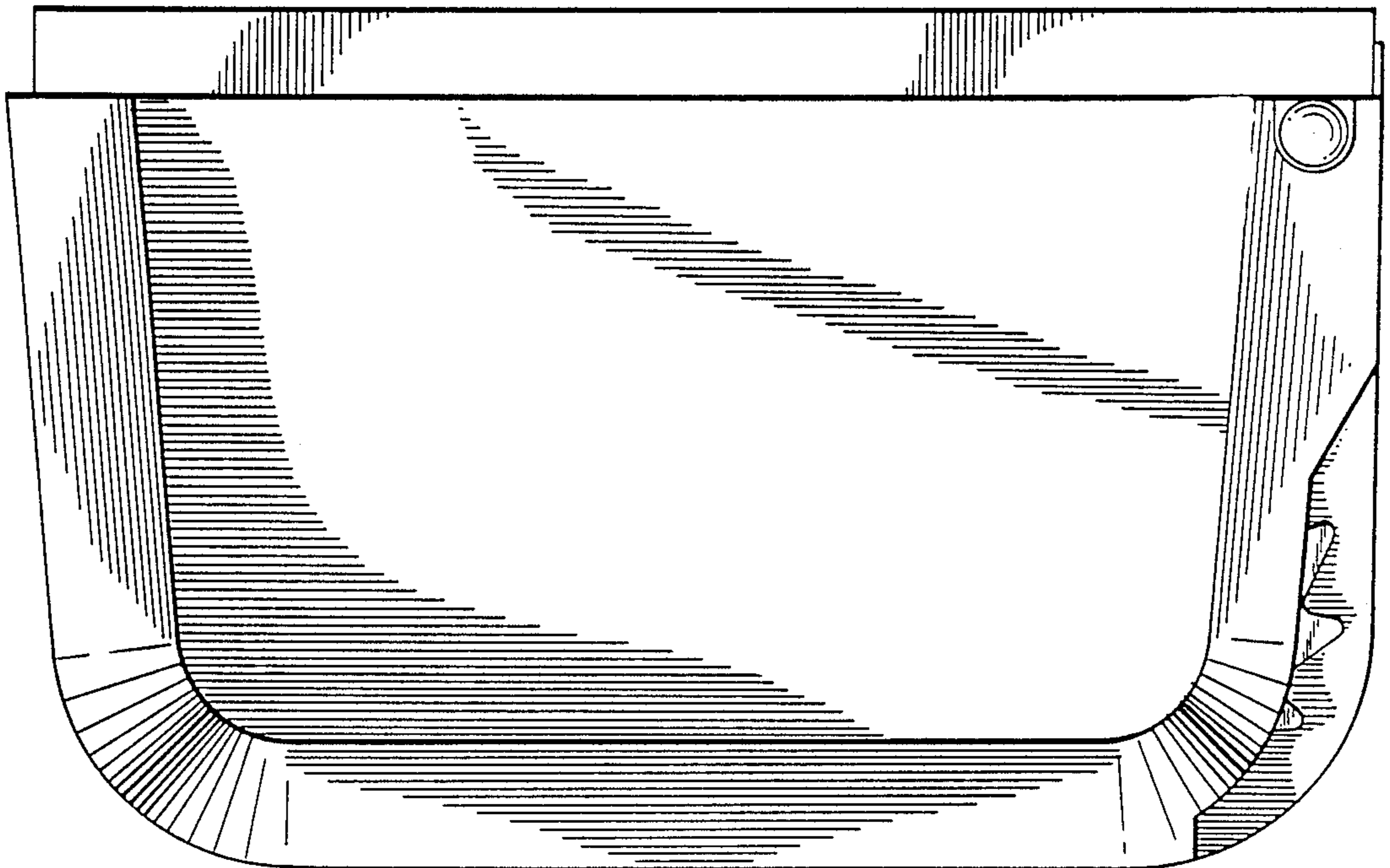


FIG. 5

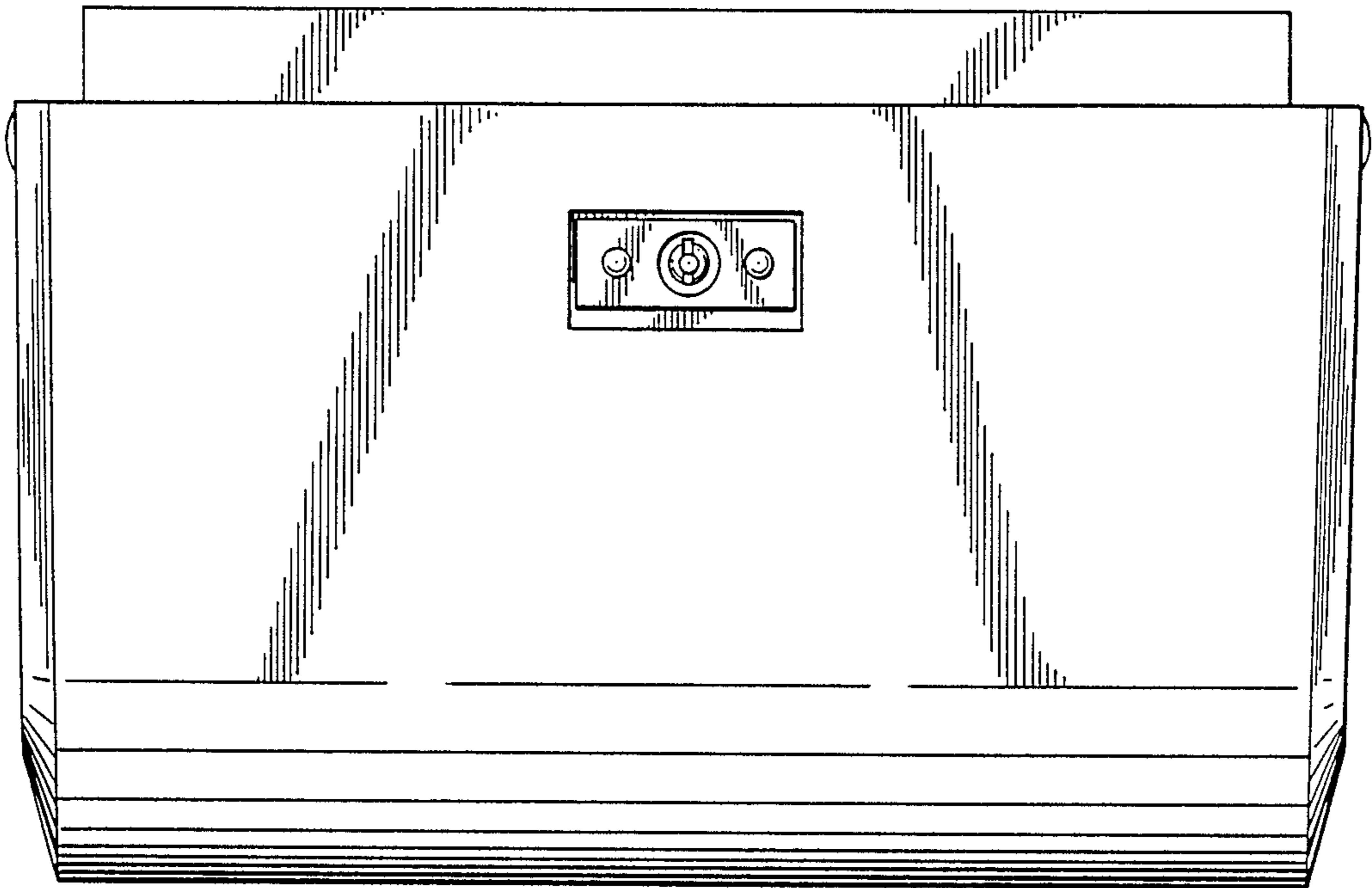


FIG. 6

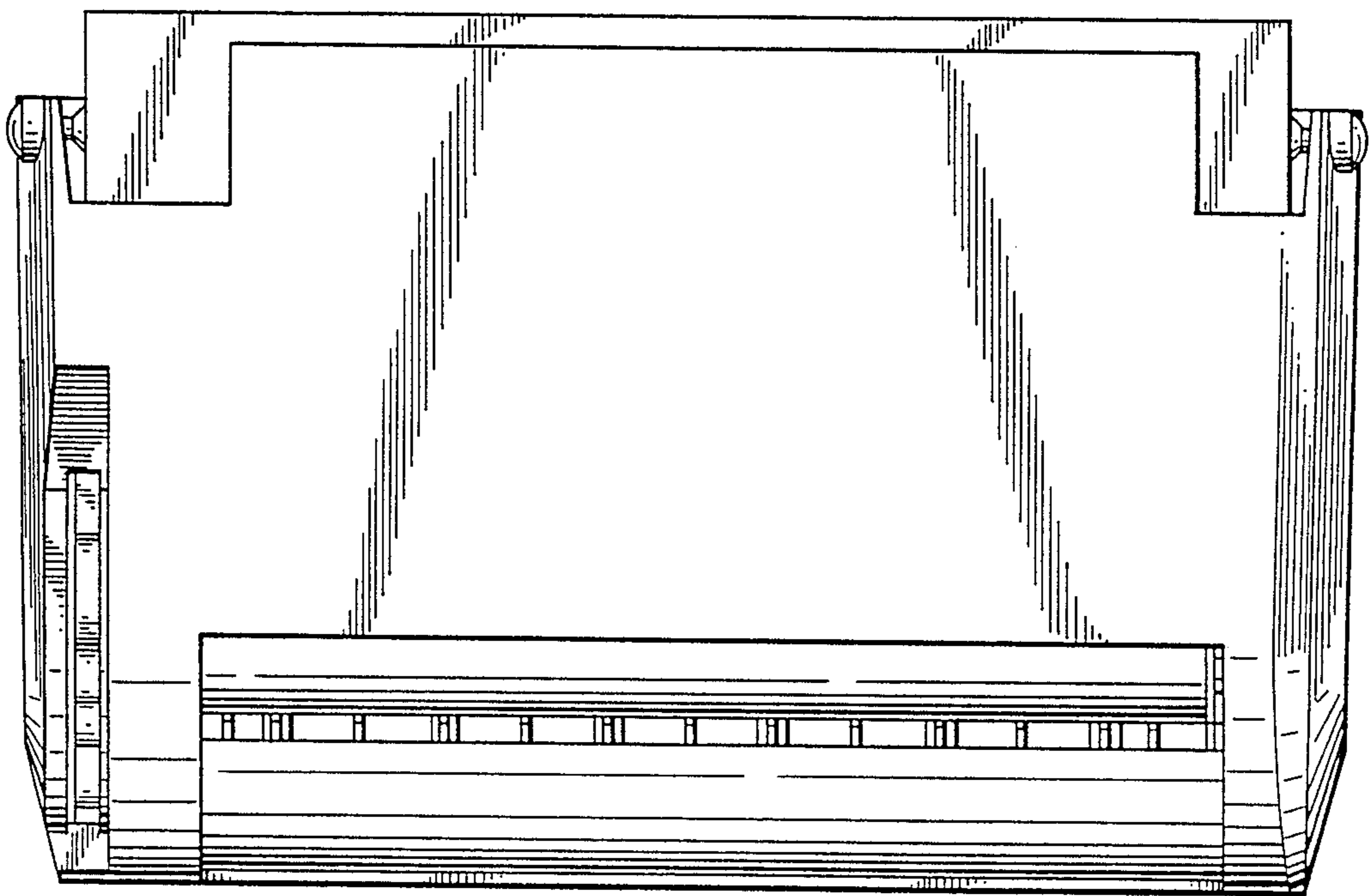


FIG. 7

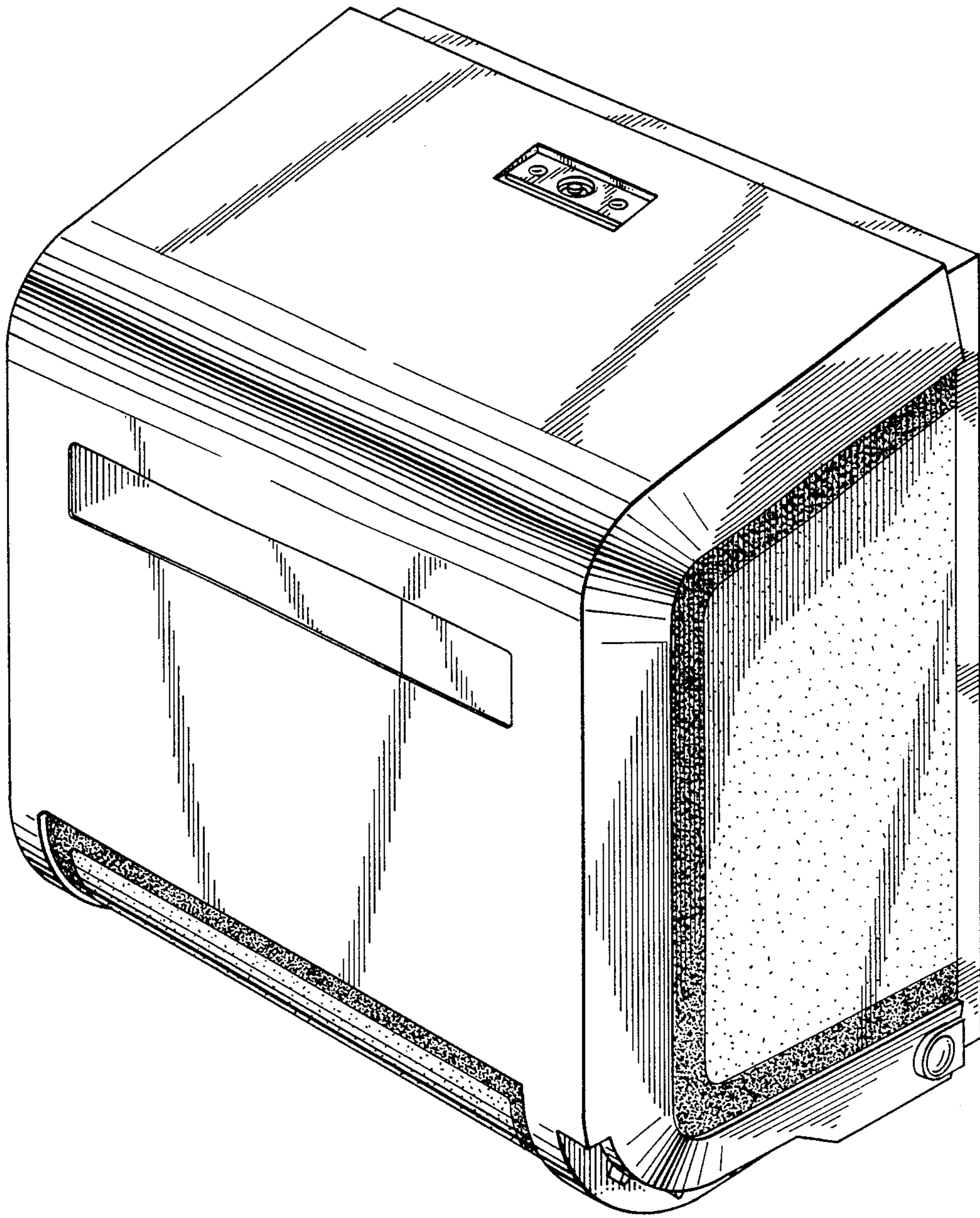


FIG. 8

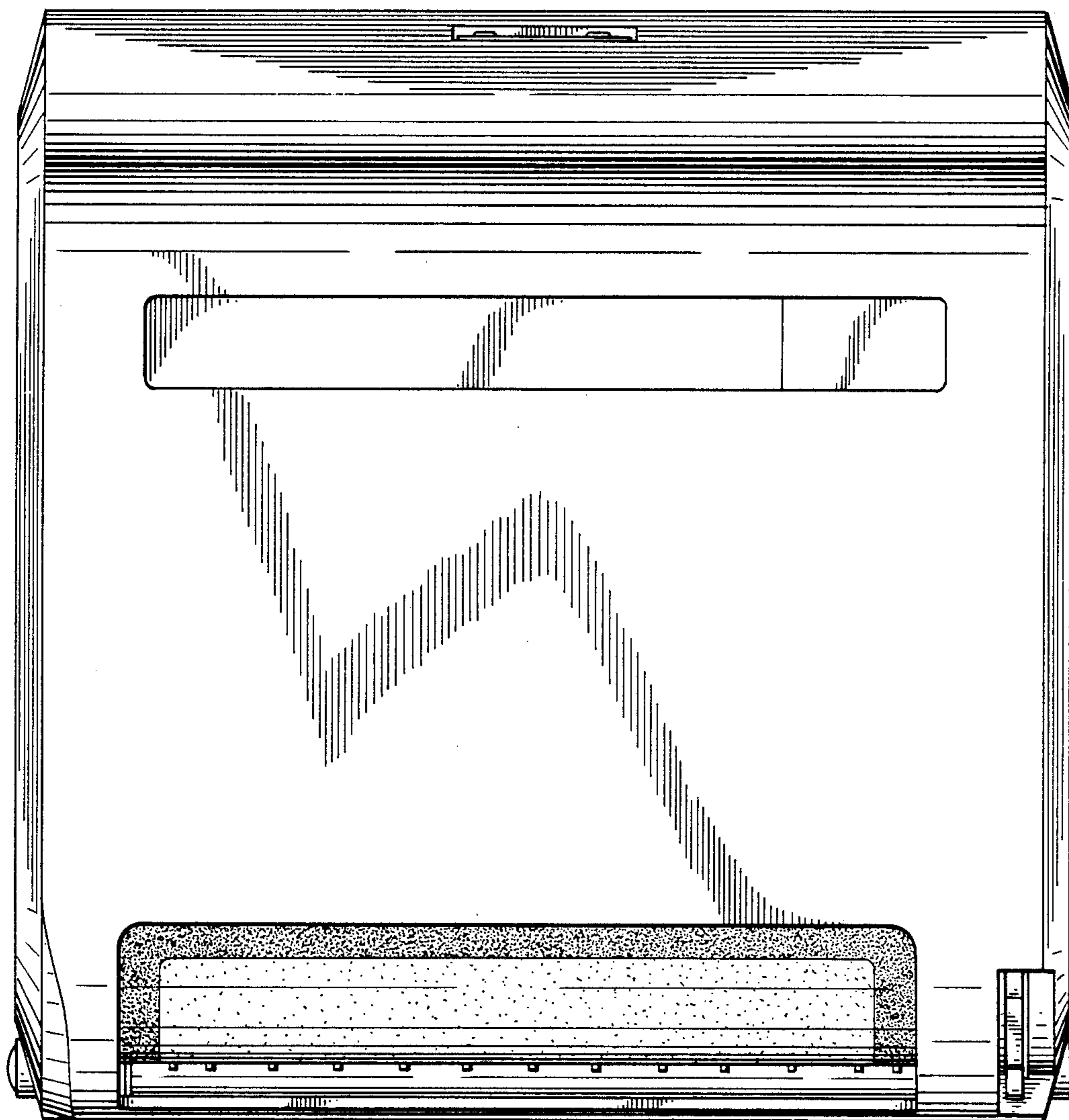


FIG. 10

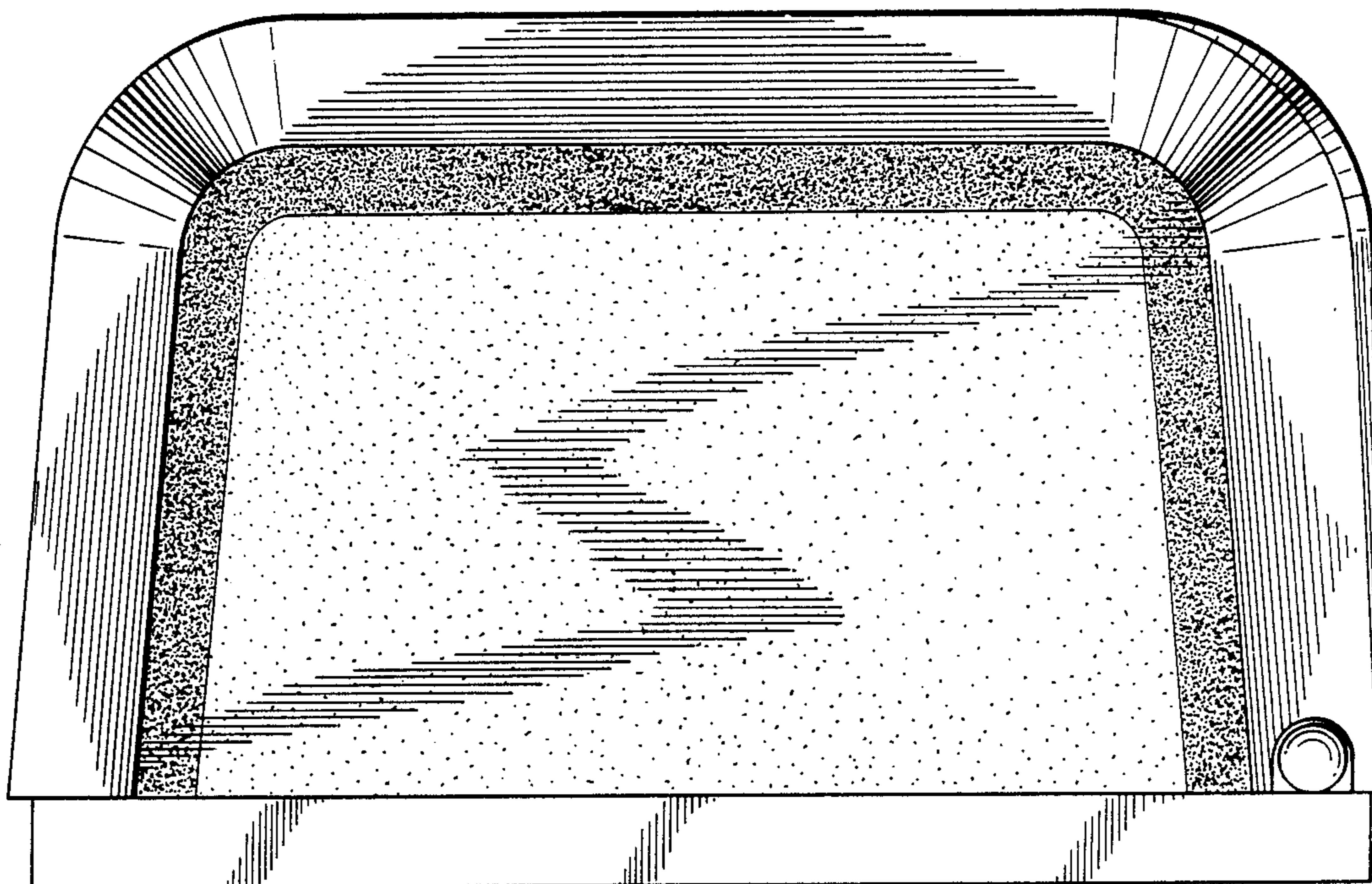


FIG. 9

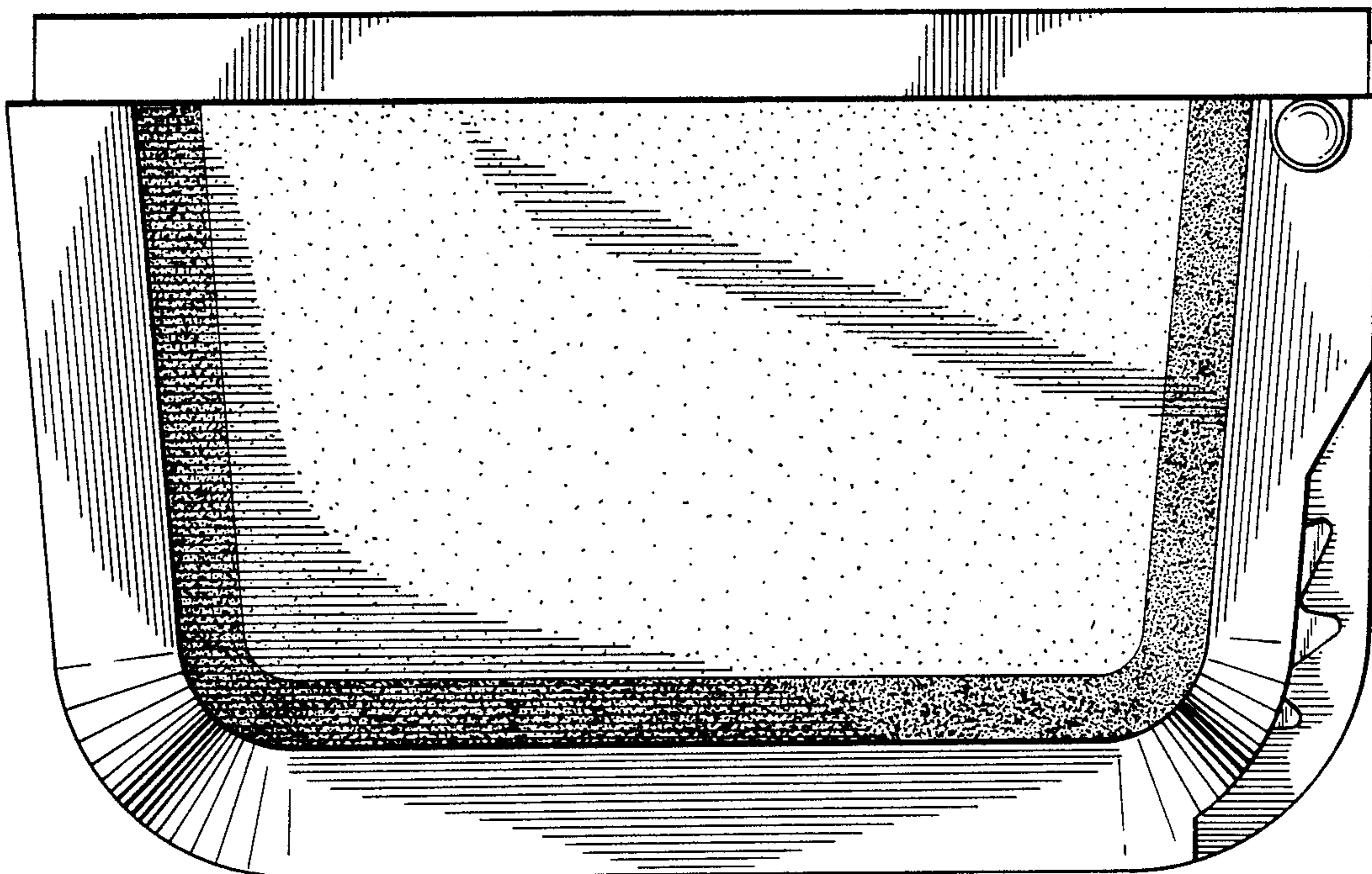


FIG. 11

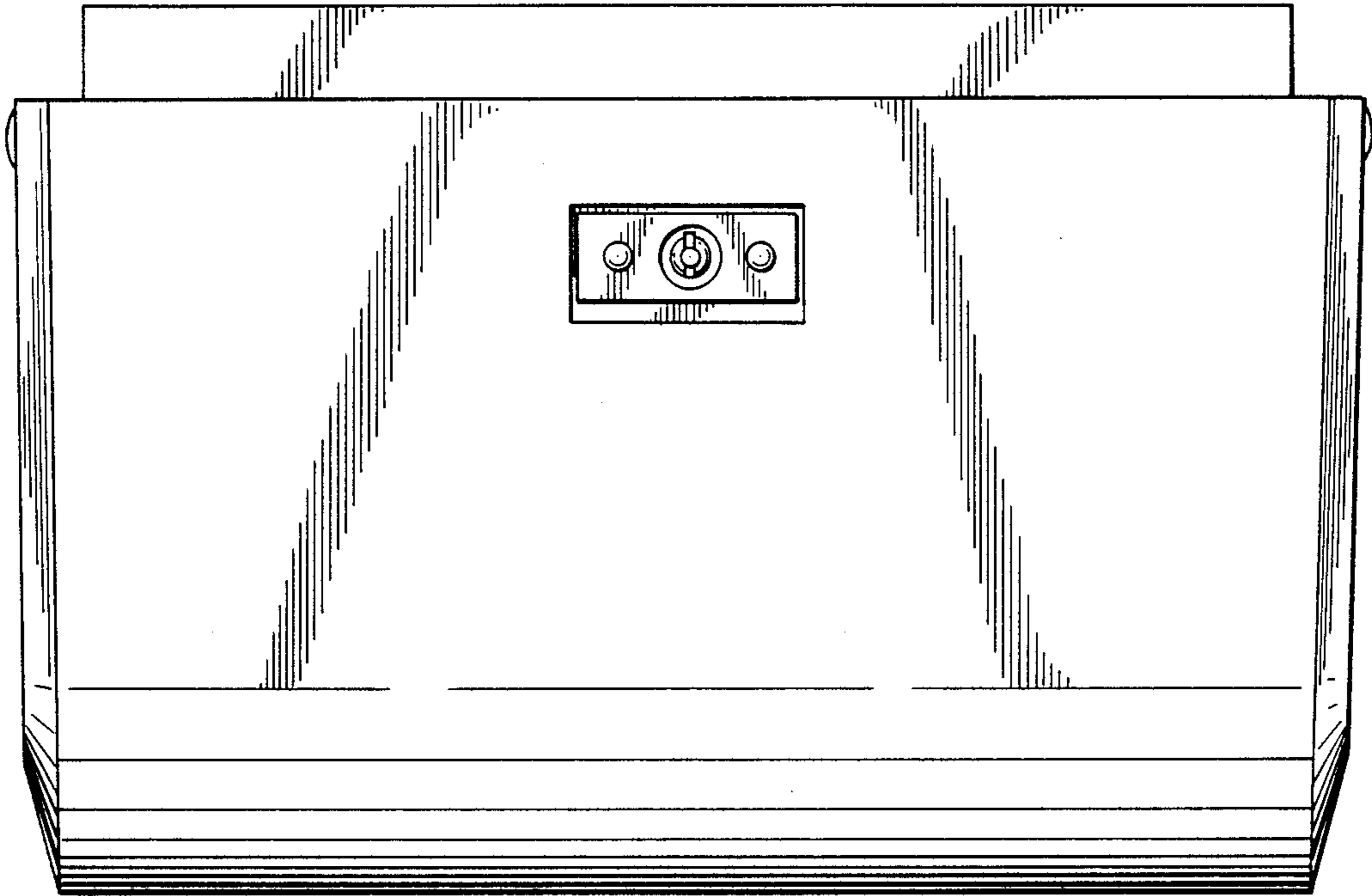


FIG. 12

