

United States Patent [19]

Bradley Daniel L.

[11] Patent Number: **Des. 312,359**

[45] Date of Patent: **** Nov. 27, 1990**

[54] **SUPPORT STAND FOR REMOTE CONTROLLERS**

[76] Inventor: **Bradley Daniel L.**, 11649 Woodcock, San Fernando, Calif. 91340

[**] Term: **14 Years**

[21] Appl. No.: **82,184**

[22] Filed: **Aug. 6, 1987**

[52] U.S. Cl. **D6/420**

[58] Field of Search **D6/451, 452, 454, 406, D6/419, 420, 491; D19/52, 88; 248/441**

[56] **References Cited**

U.S. PATENT DOCUMENTS

D. 220,343	3/1971	Boissicat	D6/406 X
D. 248,523	7/1978	Goldstein	D6/419
D. 289,840	5/1987	Burkes	D6/406 X
3,794,284	2/1974	Guenther	248/441.1

4,312,112 1/1982 Foster D6/420 X

OTHER PUBLICATIONS

Smith System, p. A Lectern Desks & Speaker Stands, Item 44 Floor Model Lecterns.

Primary Examiner—Bruce W. Dunkins

Assistant Examiner—Janice Seeger

Attorney, Agent, or Firm—Roger A. Marrs

[57] **CLAIM**

The ornamental design for support stand for remote controllers, as shown and described.

DESCRIPTION

FIG. 1 is a support stand for remote controllers showing my new design;

FIG. 2 is a side elevational view thereof; and

FIG. 3 is a top plan view thereof.

The undisclosed side, rear and bottom of the article are plain and unadorned.

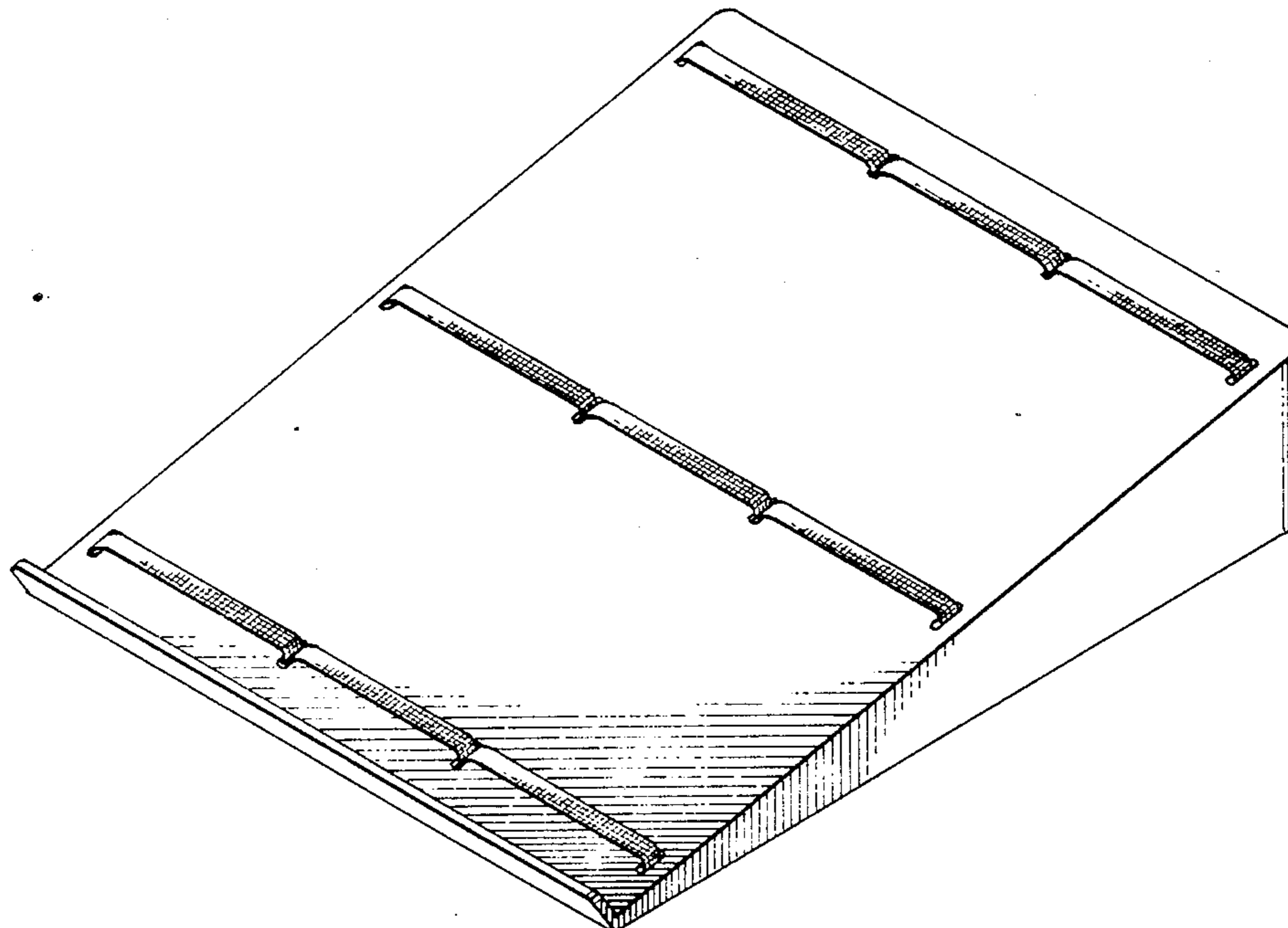


FIG. 1.

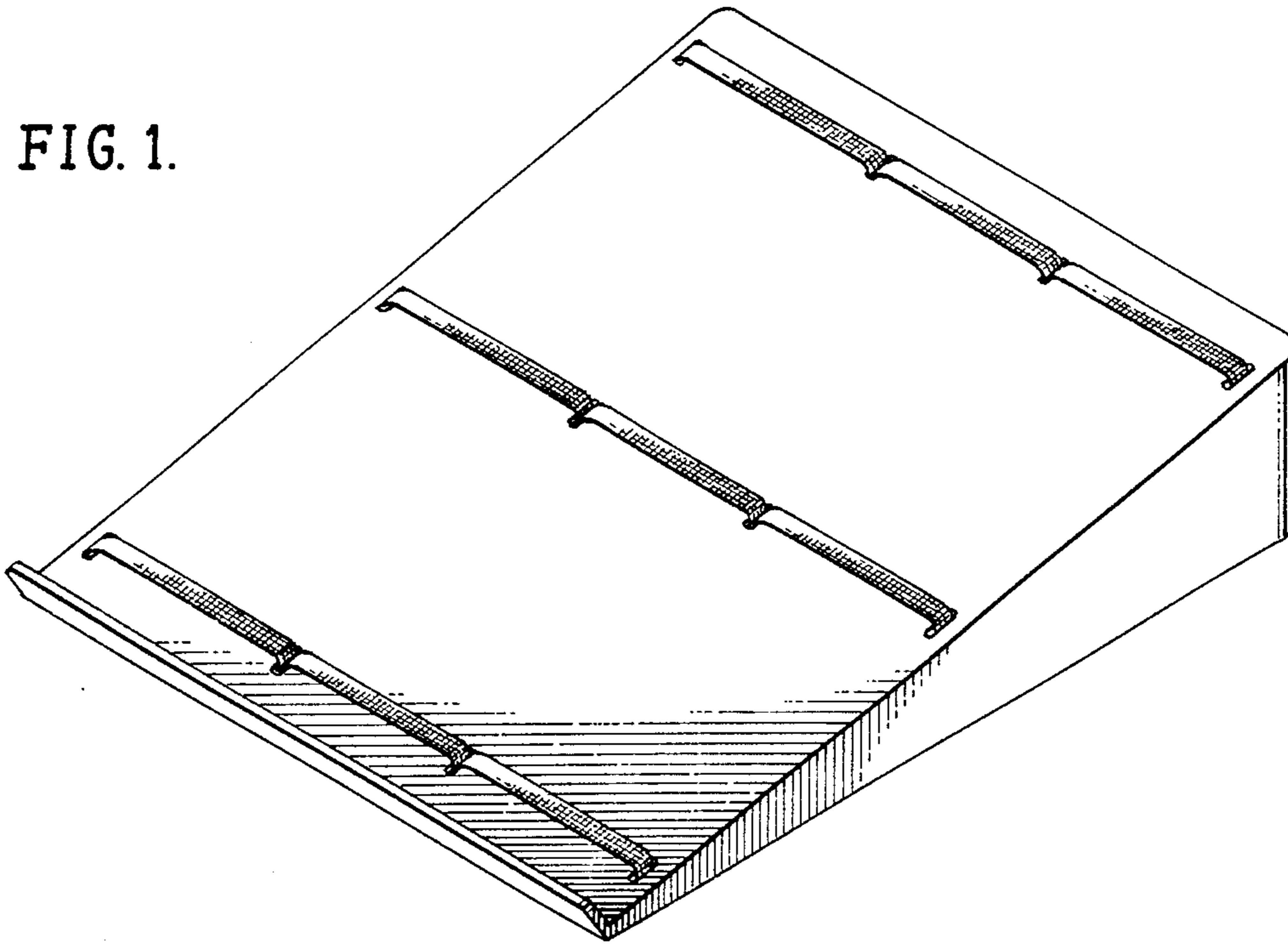


FIG. 2.

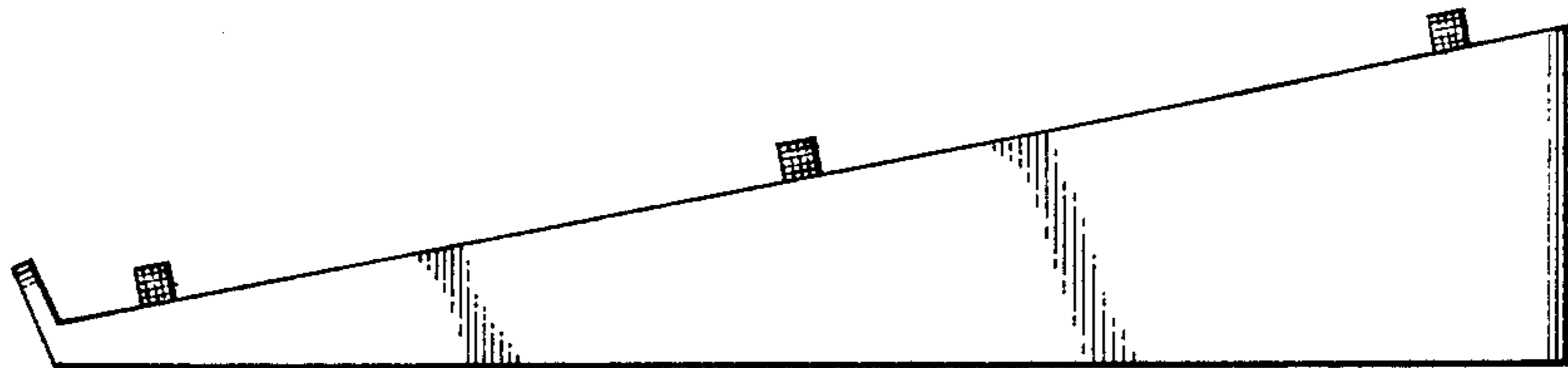


FIG. 3.

