

[54] **TELEPHONE DIRECTORY**

4,241,859 12/1980 Eames 224/312

[75] Inventor: **H. W. Korten**, Longwood, Fla.
[73] Assignee: **K & R Instruments, Inc.**, Orlando, Fla.
[**] Term: **14 Years**

Primary Examiner—Louis S. Zarfes
Assistant Examiner—M. N. Pandozzi
Attorney, Agent, or Firm—Duckworth, Allen, Dyer & Doppelt

[21] Appl. No.: **146,353**

[57] **CLAIM**
The ornamental design for a telephone directory, as shown and described.

[22] Filed: **Jan. 20, 1988**

[52] U.S. Cl. **D3/40; D3/100**

[58] Field of Search **D3/71, 76, 100, 40; D12/155; 190/100, 109, 110, 112, 900; 224/312, 288, 324; 40/371**

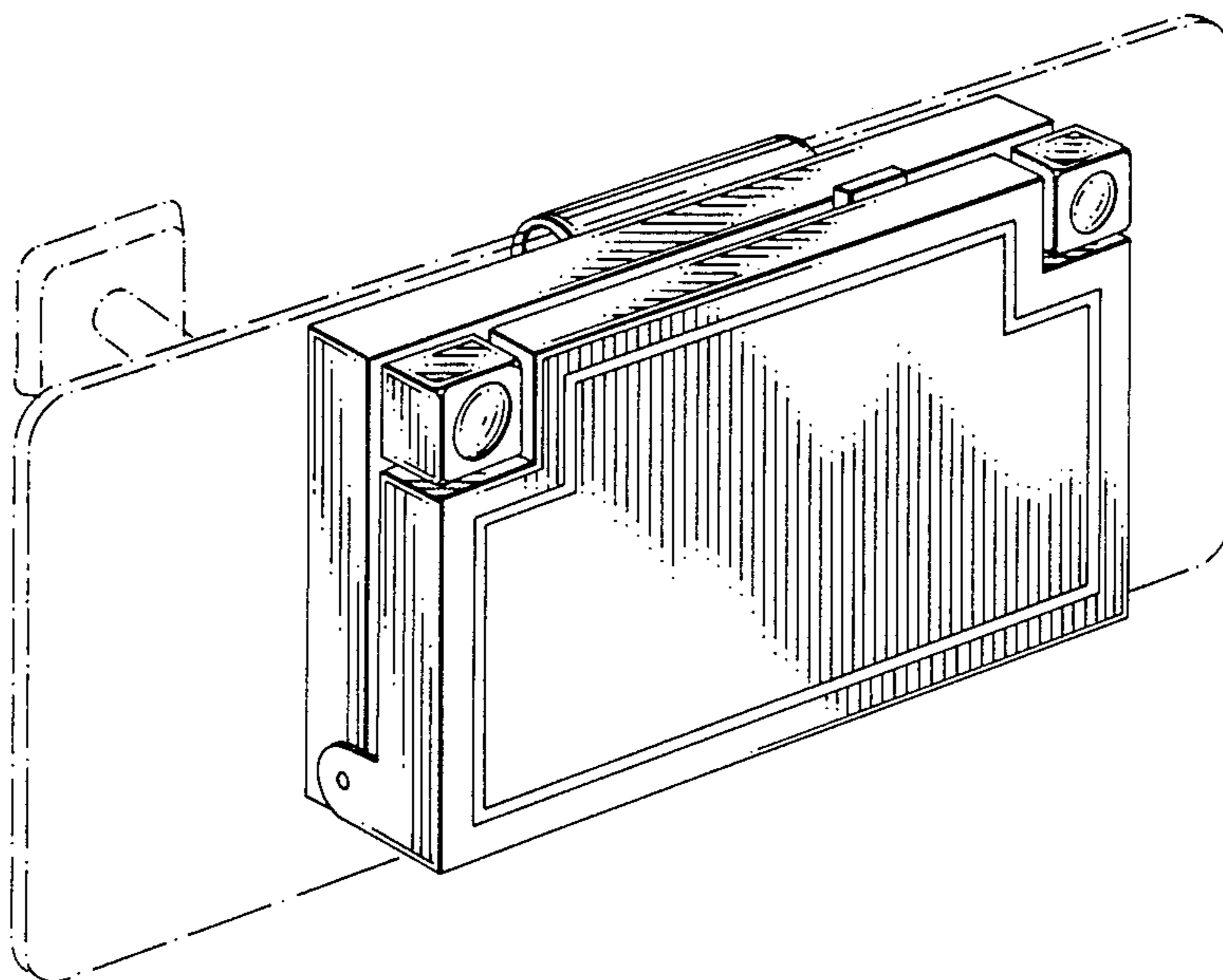
DESCRIPTION

FIG. 1 is a perspective view of a telephone directory, showing my new design;
FIG. 2 is a top plan view thereof;
FIG. 3 is a front elevational view thereof;
FIG. 4 is a rear elevational view thereof;
FIG. 5 is a bottom plan view; and
FIG. 6 is a right side elevational view, the left side being a mirror image thereof.
The broken line showing of an automobile sun visor in FIG. 1 is for illustrative purposes only and forms no part of the claimed design.

[56] **References Cited**

U.S. PATENT DOCUMENTS

D. 262,412	12/1981	Sibbett	D3/106
1,816,049	7/1931	Larner	224/252 X
2,278,011	3/1942	Murdock	224/312 X
3,027,995	3/1962	Littman	D3/106 X



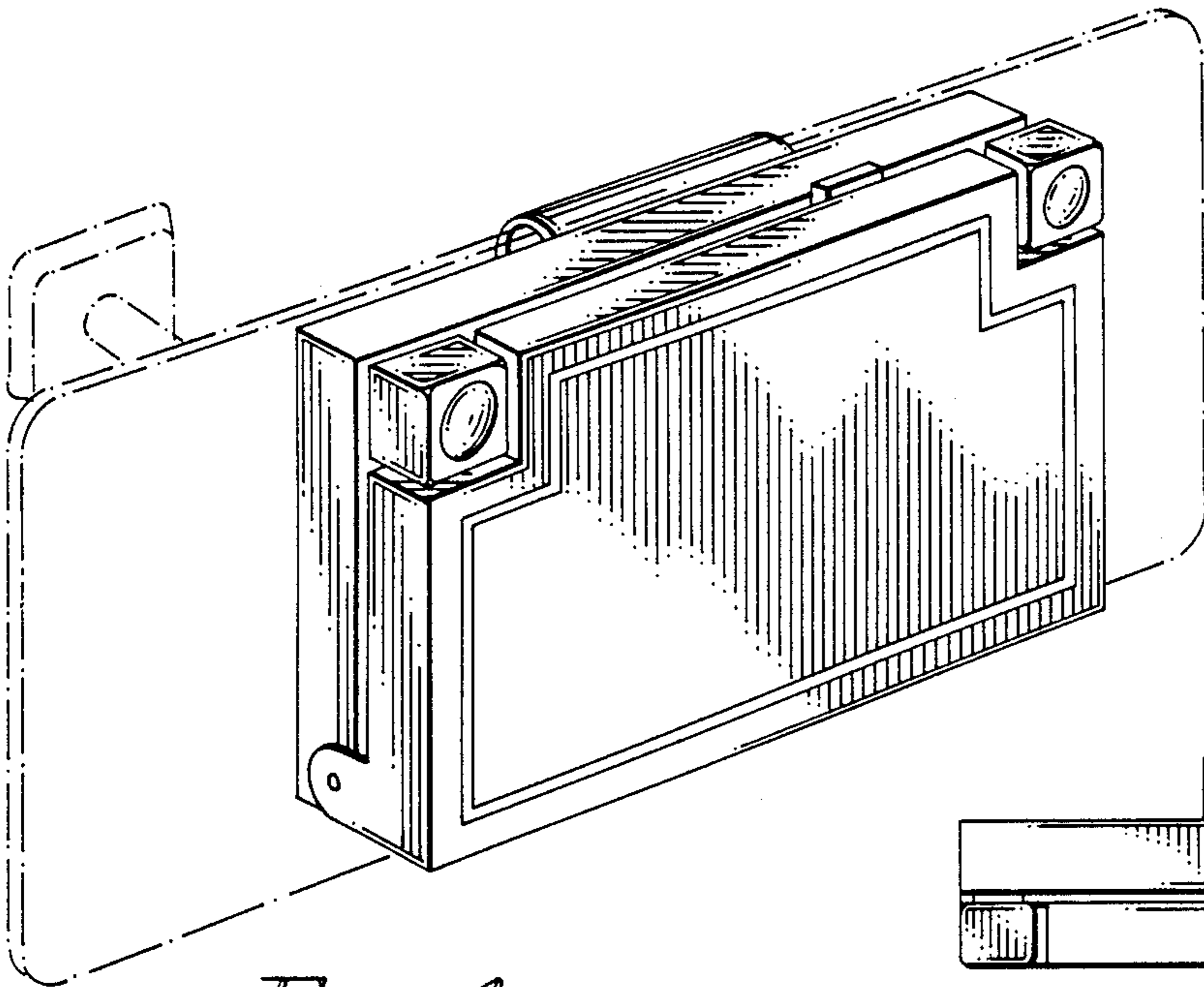


FIG. 1

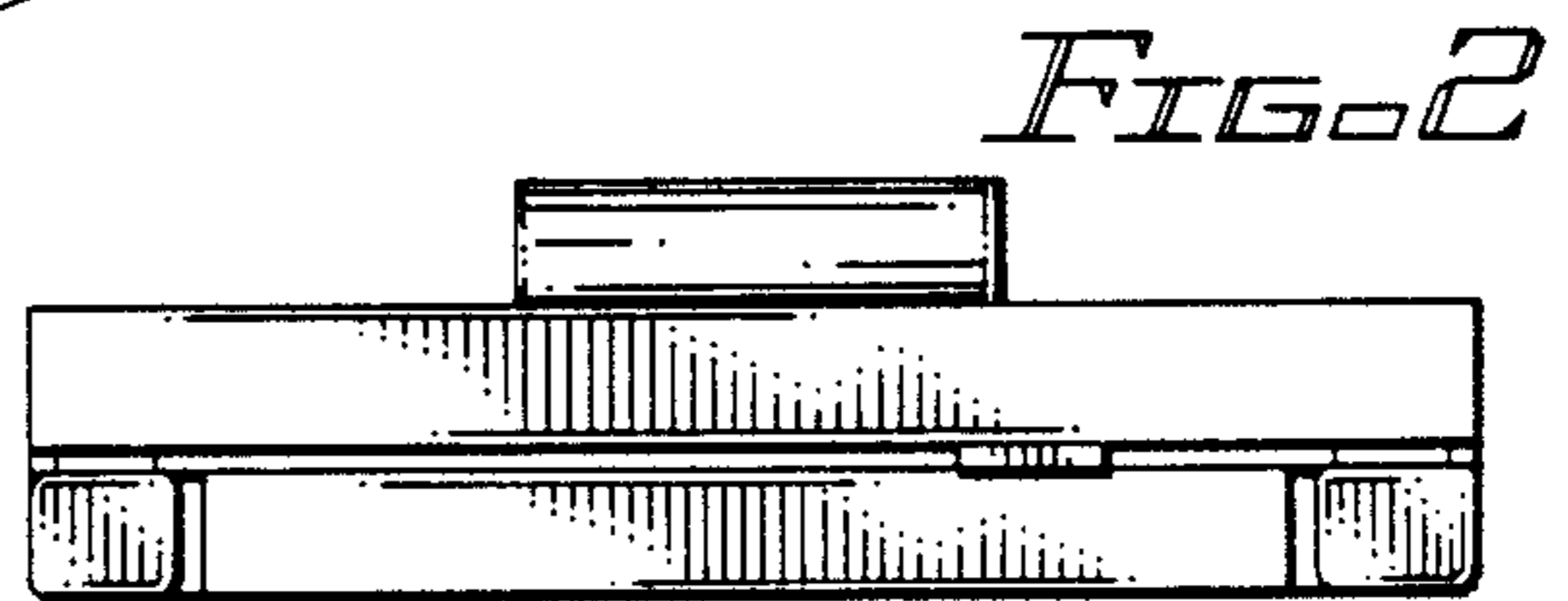


FIG. 2

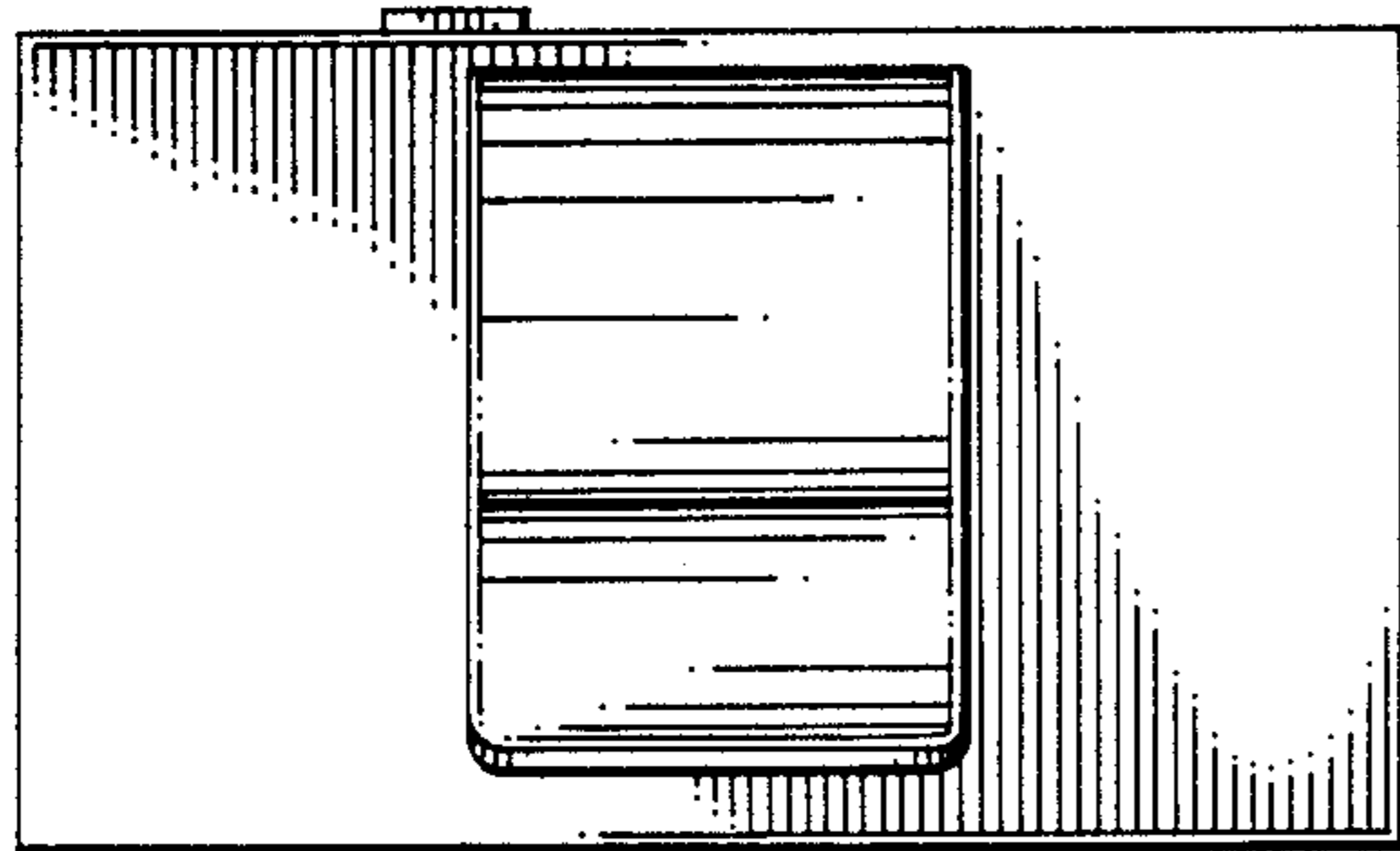


FIG. 4

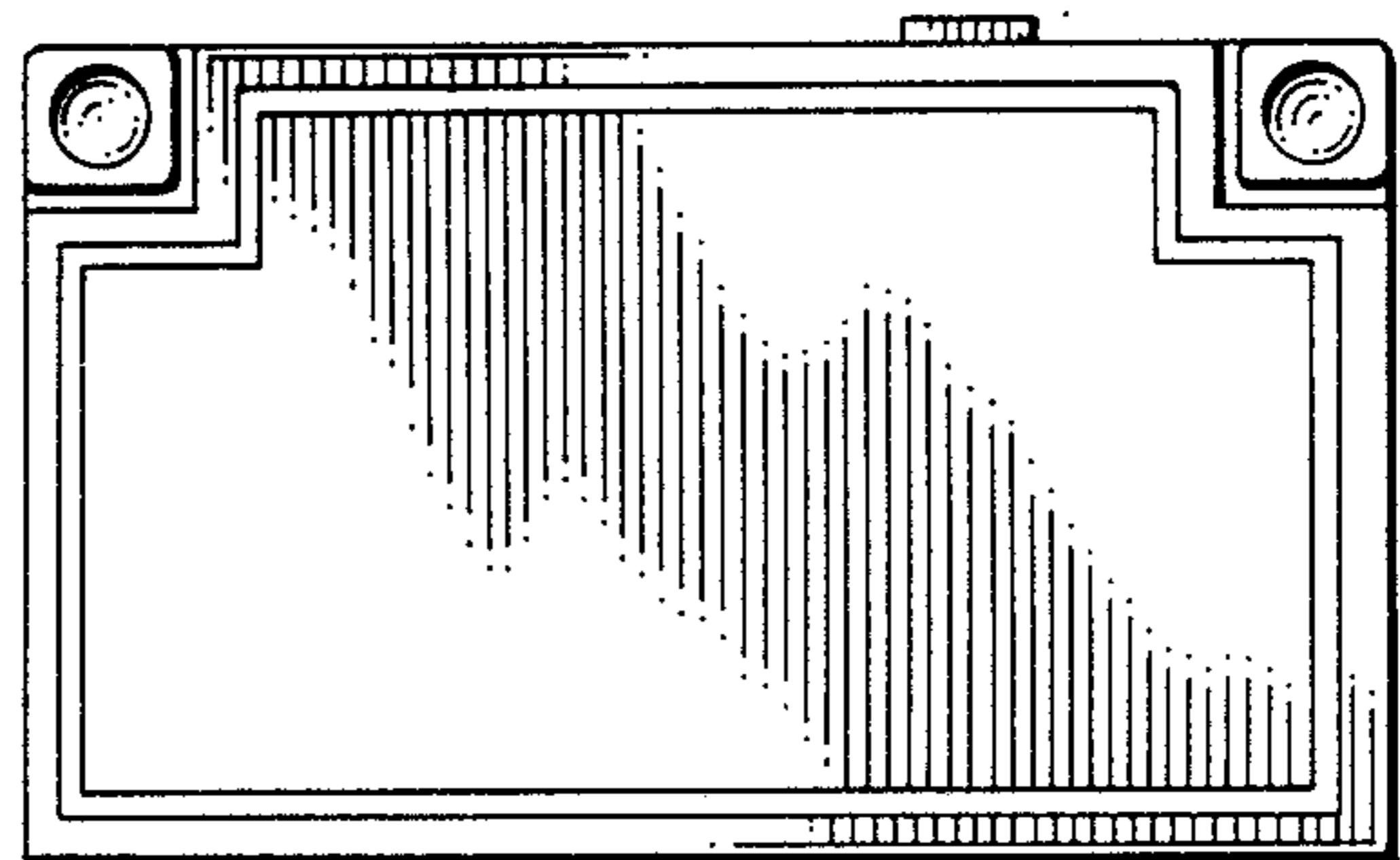


FIG. 3

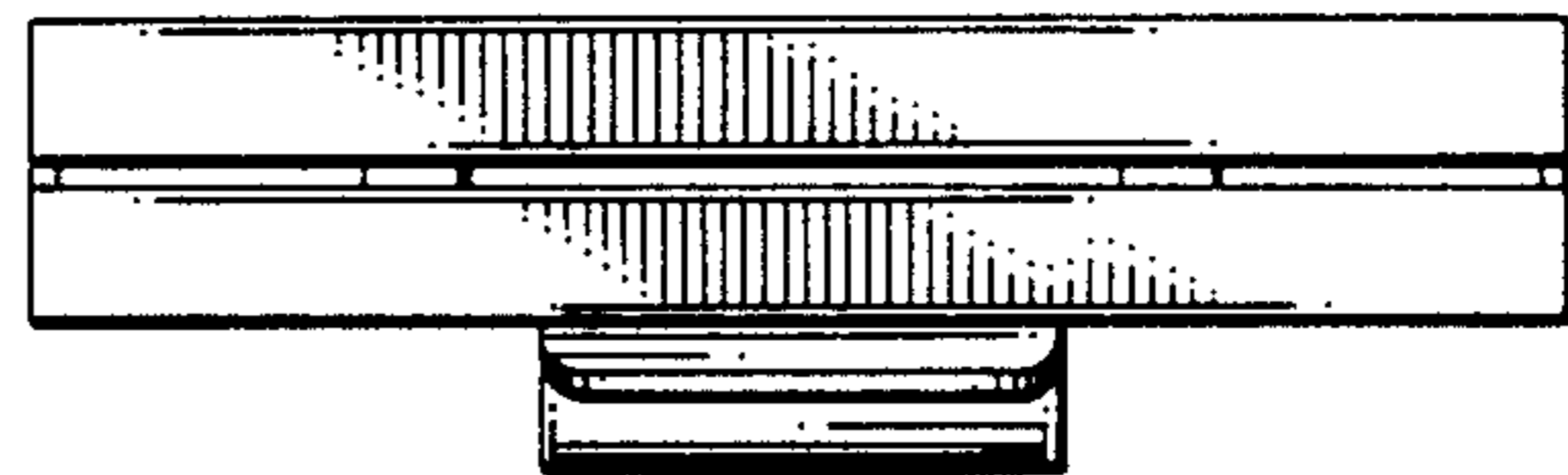


FIG. 5

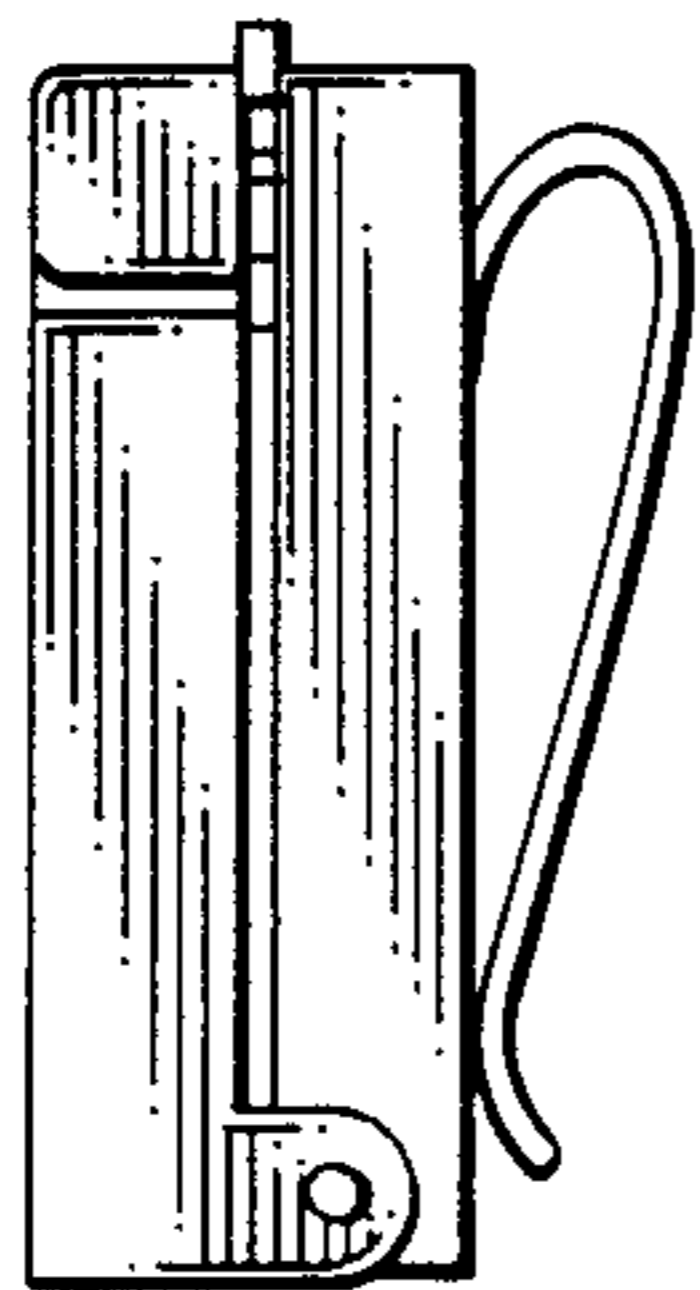


FIG. 6