

[54] MULTIPURPOSE CARRYING CASE

[76] Inventor: Eusebio M. Diaz, 6450 Balboa Blvd., Van Nuys, Calif. 91406

[**] Term: 14 Years

[21] Appl. No.: 937,511

[22] Filed: Dec. 3, 1986

[52] U.S. Cl. D3/48

[58] Field of Search D3/56, 57, 58, 59; 150/132, 133, 134, 135, 136, 137, 138, 139

[56] References Cited

U.S. PATENT DOCUMENTS

D. 75,202	5/1928	Wolf	D3/48
D. 160,147	9/1950	Chase	D3/48
1,980,683	11/1934	Herrman	206/235 X
2,092,834	9/1937	Doppelt	D3/59 X
2,446,009	7/1948	Hyman	150/139
2,447,787	8/1948	Atkinson	206/235 X
3,092,244	6/1963	McWhirter	206/234 X
4,126,168	11/1978	Ganz et al.	D3/56 X

FOREIGN PATENT DOCUMENTS

2451347	5/1976	Fed. Rep. of Germany	206/232
---------	--------	----------------------	-------	---------

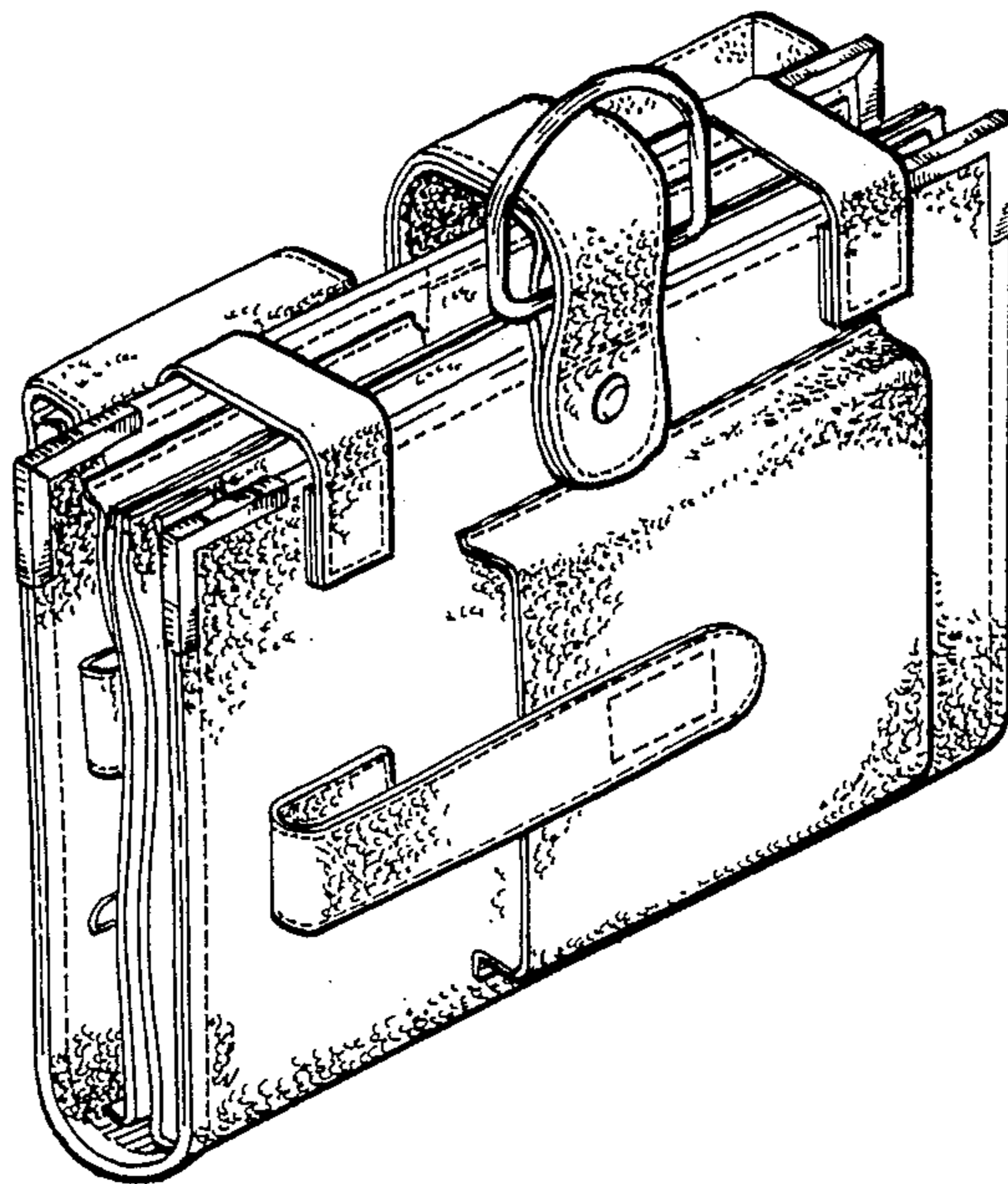
Primary Examiner—A. Hugo Word
Assistant Examiner—Doris V. Coles
Attorney, Agent, or Firm—Albert O. Cota

[57] CLAIM

The ornamental design for a multipurpose carrying case, as shown and described.

DESCRIPTION

FIG. 1 is a perspective view of a multipurpose carrying case showing my new design;
 FIG. 2 is an elevational view showing the exterior of the case in an open position;
 FIG. 3 is an elevational view showing the interior thereof in an open position;
 FIG. 4 is an elevational view showing the interior thereof in a further open position;
 FIG. 5 is an elevational view similar to FIG. 3 but with the telephone book portion in an open position;
 FIG. 6 is an elevational view similar to FIG. 3 but with the telephone compartment entirely flipped over to show the grooming pouch;
 FIG. 7 is a left side elevational view of FIG. 3.
 FIG. 8 is a right side elevational view of FIG. 3.
 FIG. 9 is a bottom plan view of FIG. 1; and
 FIG. 10 is a top plan view of FIG. 1.



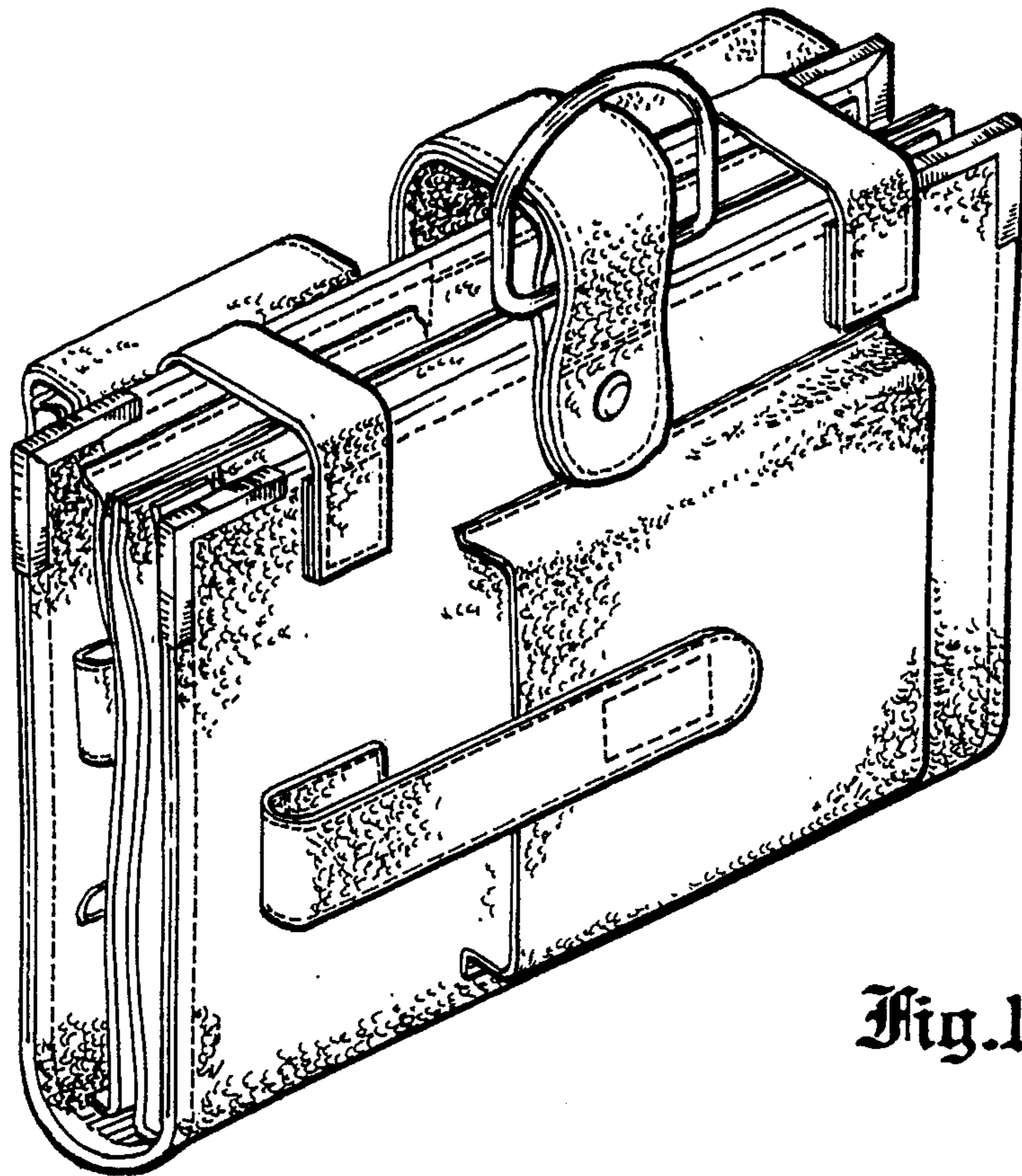


Fig. 1.

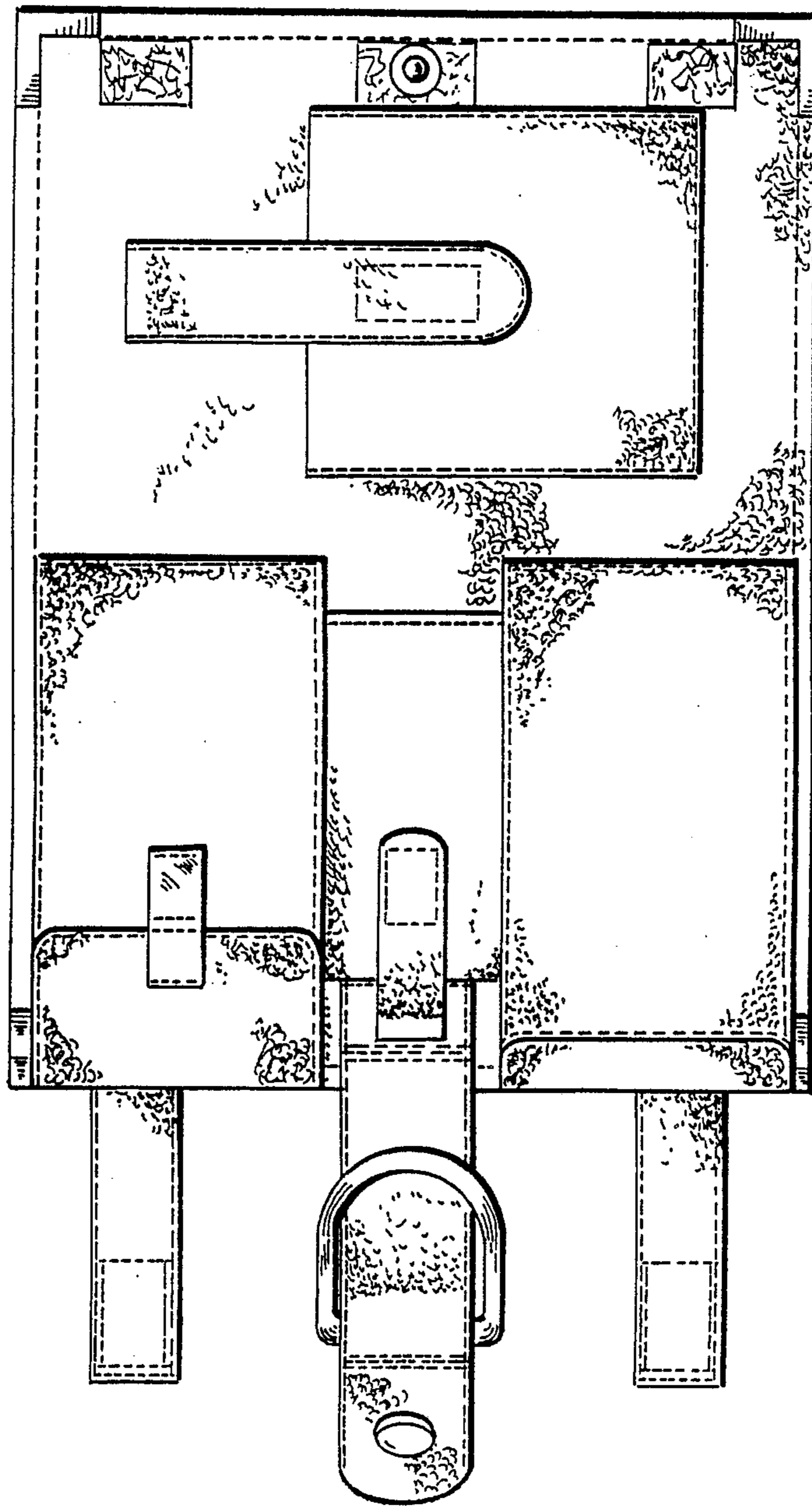


Fig. 2.

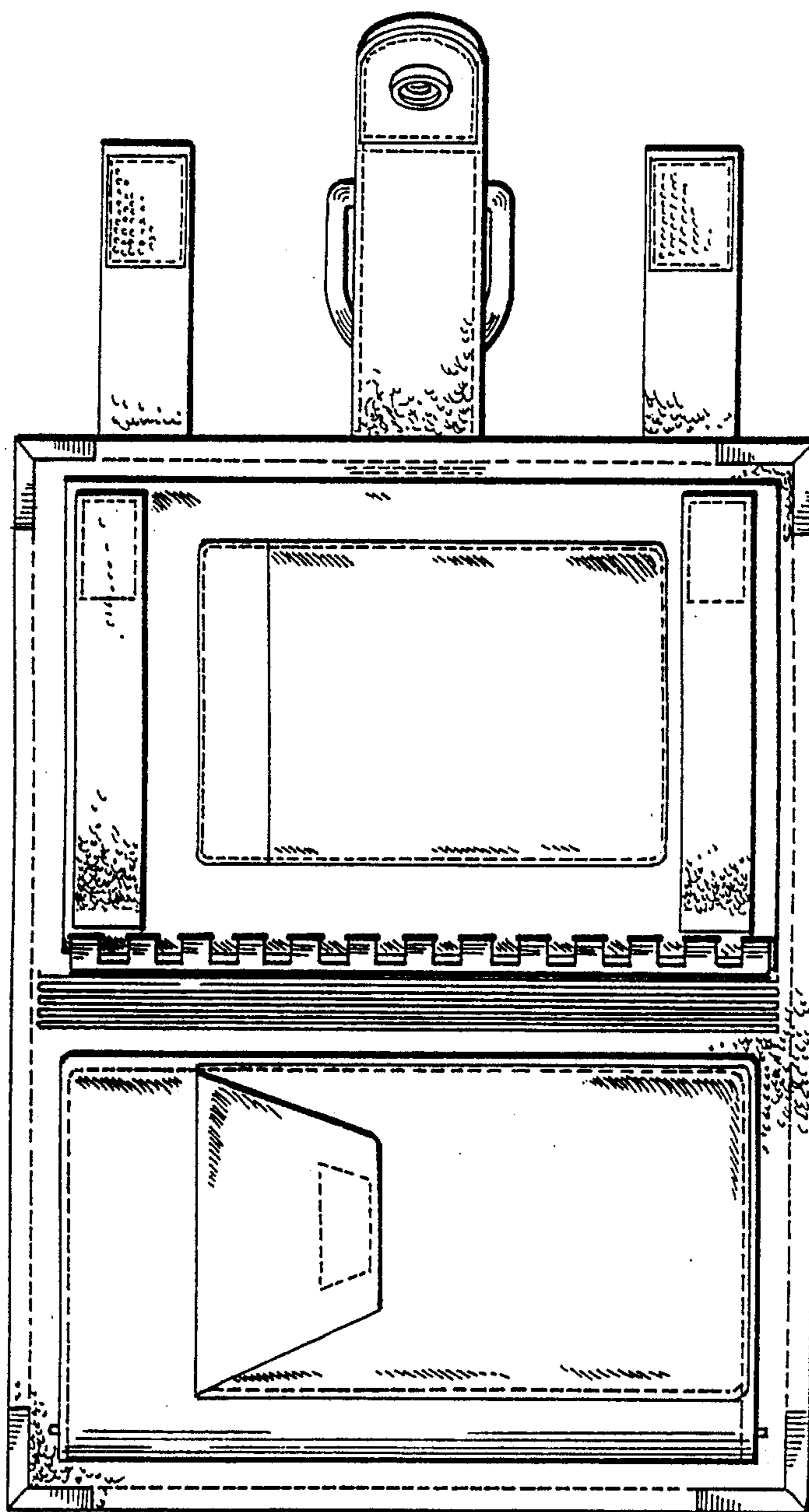


Fig. 3.

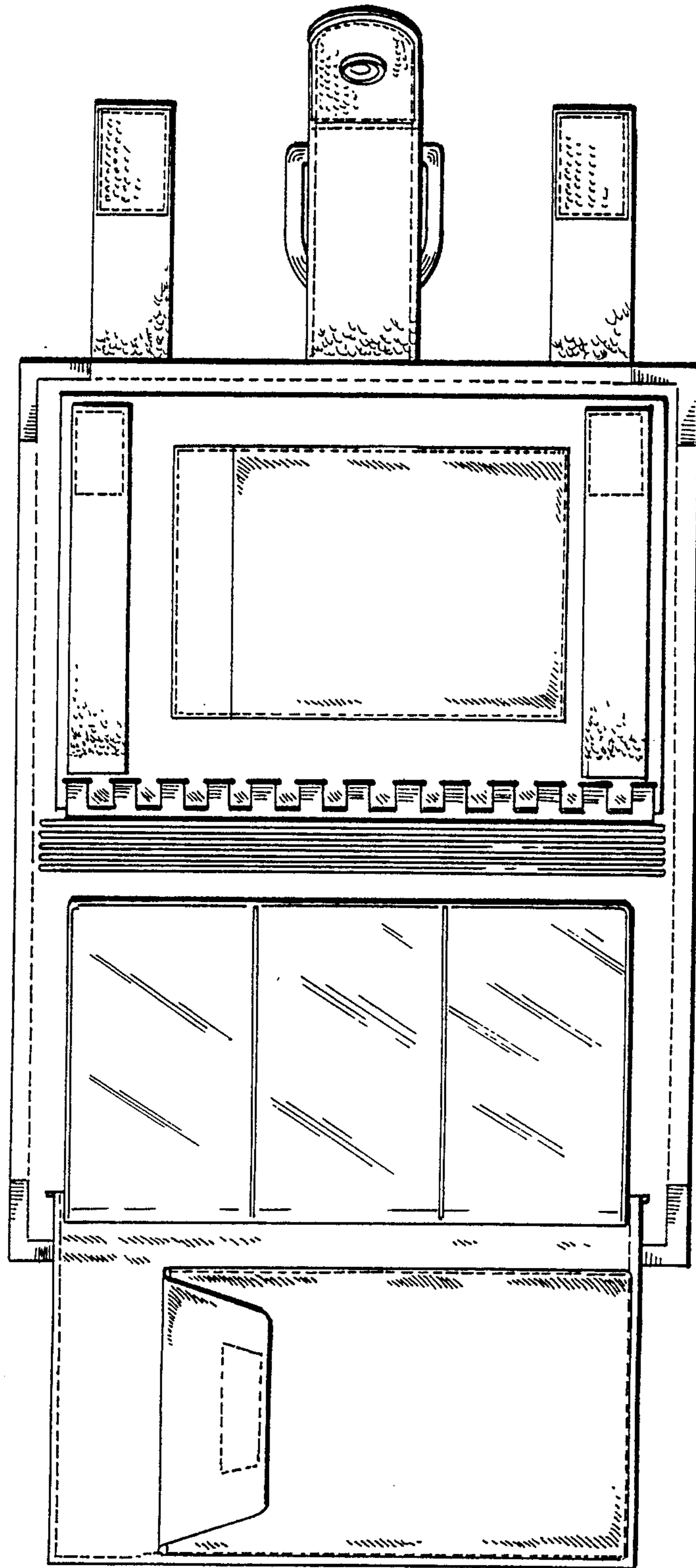


Fig. 4.

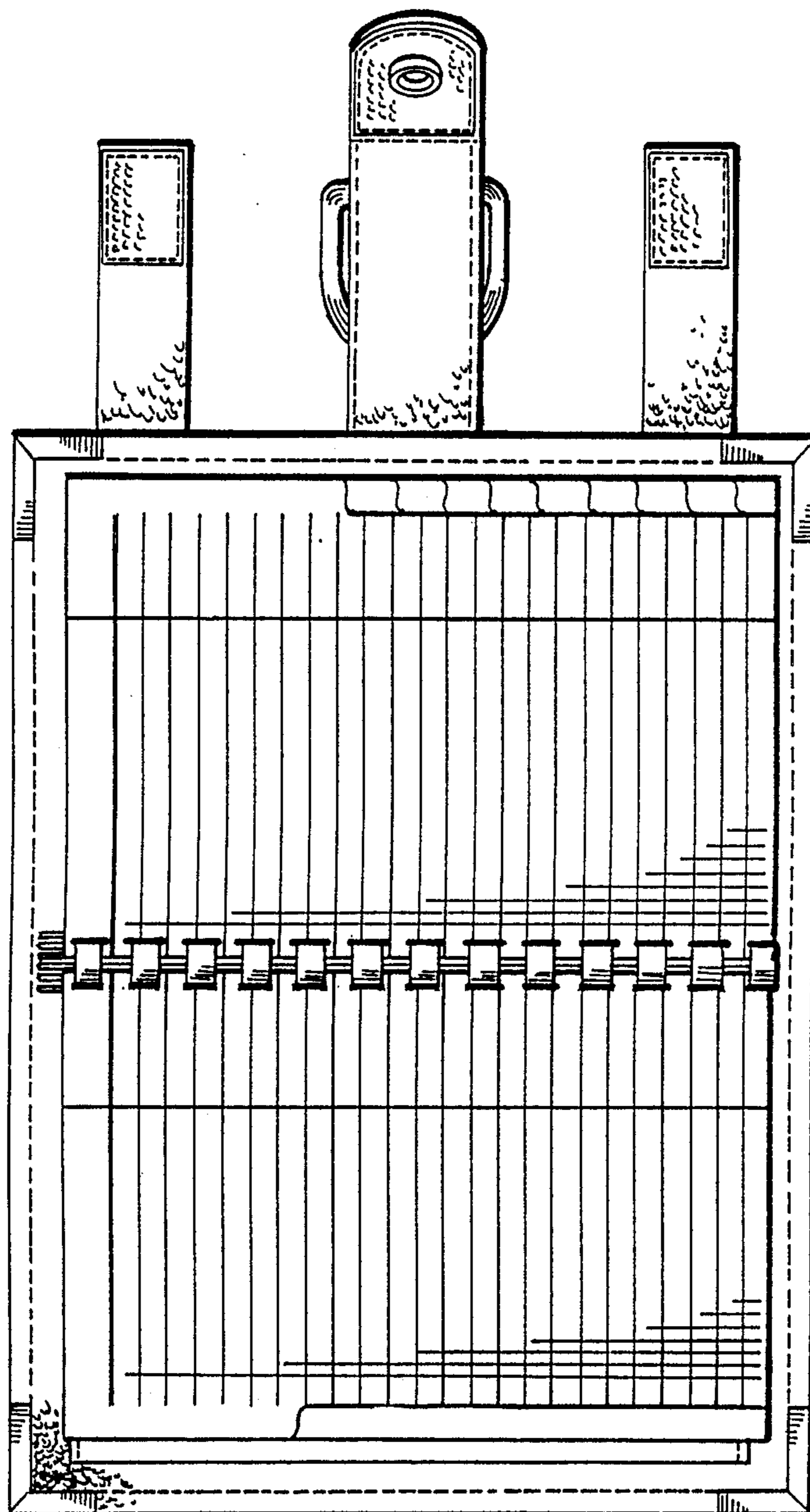


Fig. 5.

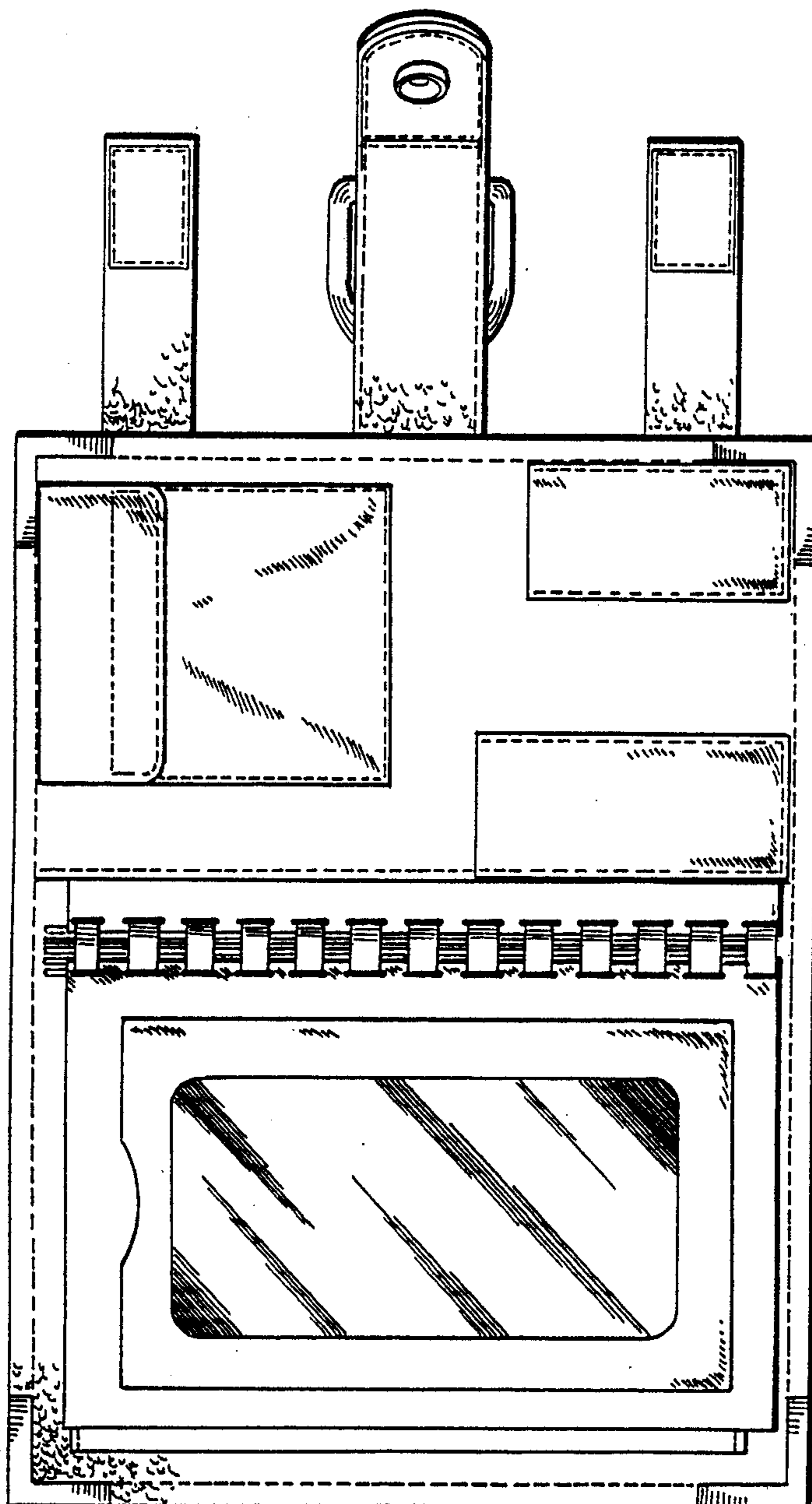


Fig. 6.

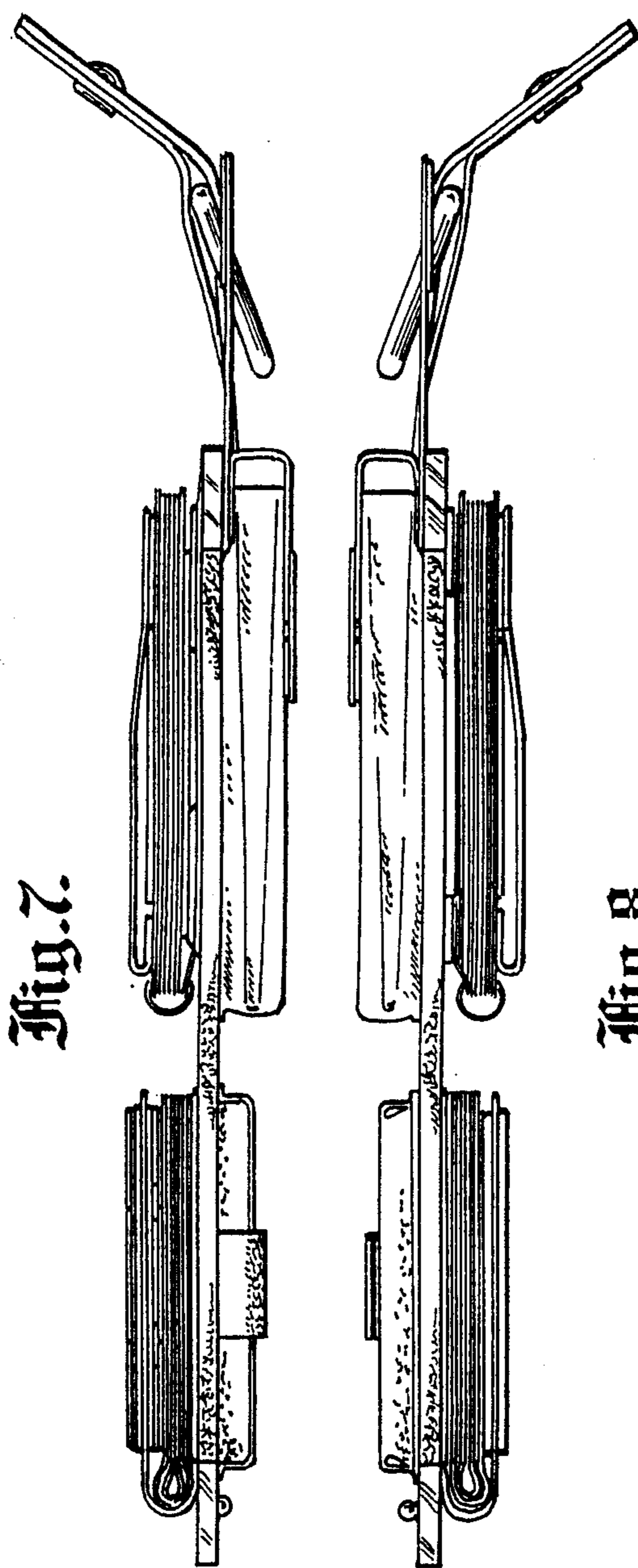


Fig. 7.

Fig. 8.

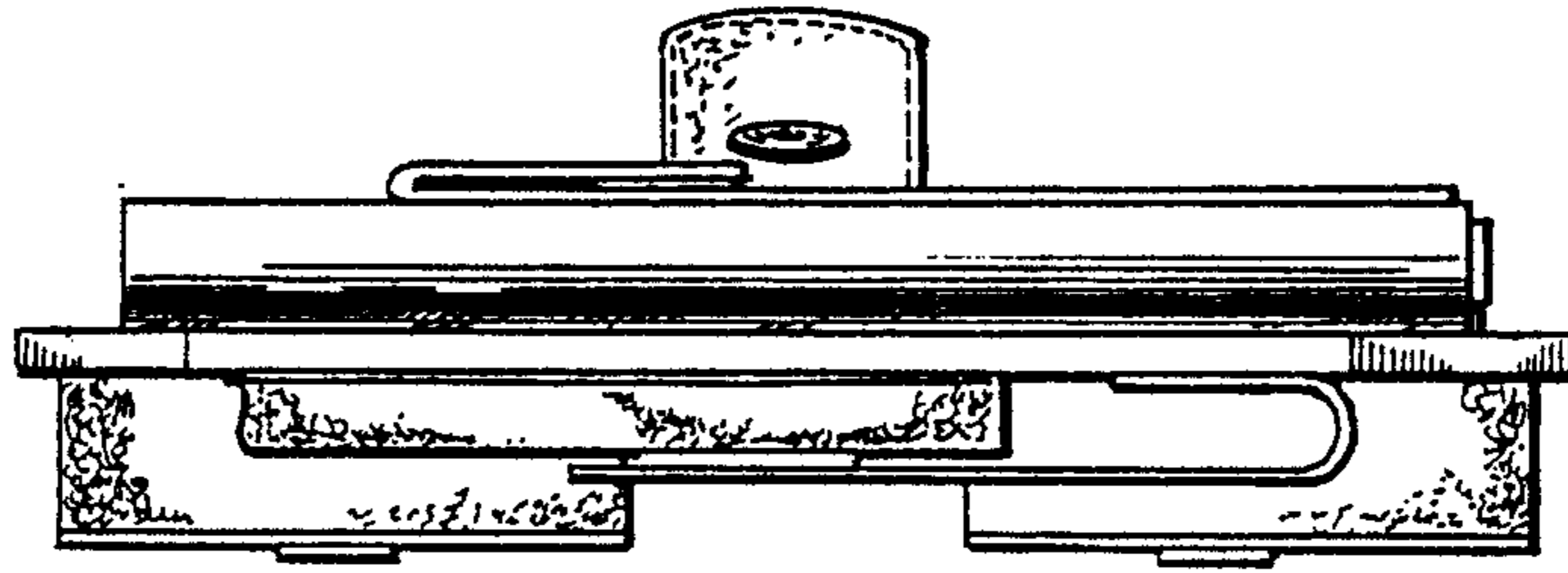


Fig. 9.

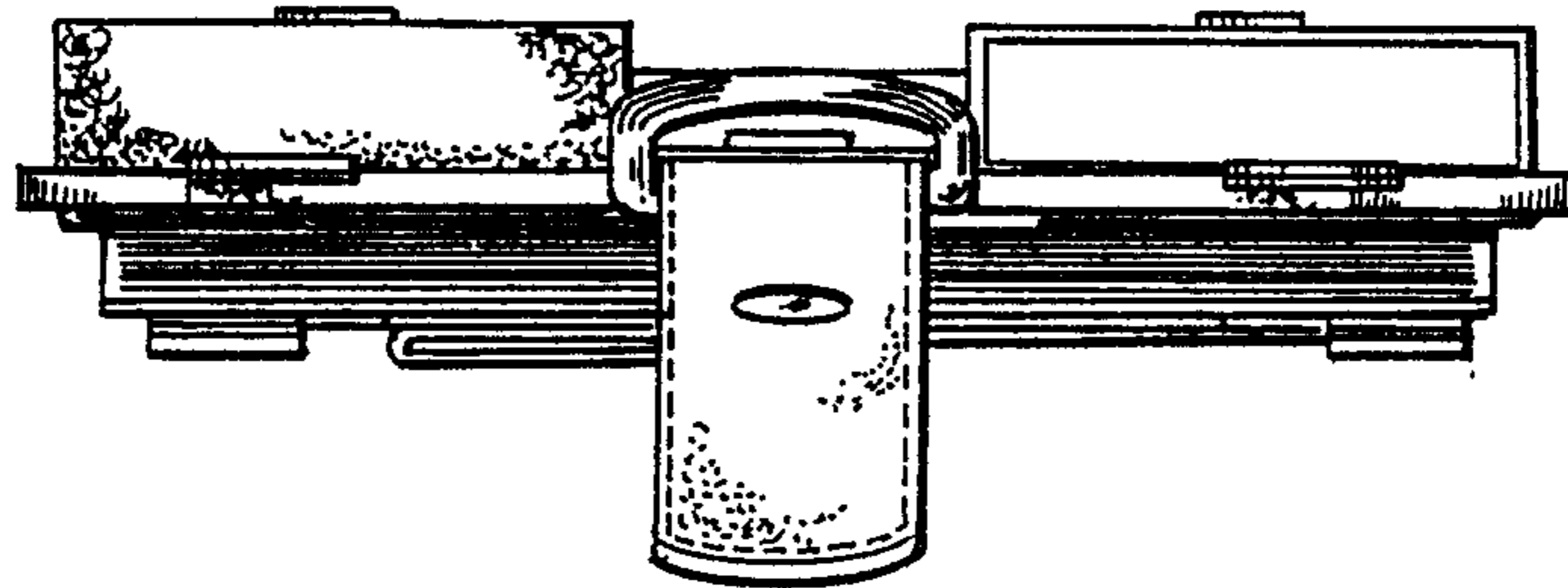


Fig. 10.