

[54] SUSPENDERS

826769 1/1960 United Kingdom 24/516

[76] Inventors: George P. Brown, 5511 Hillfall Ct., Columbia, Md. 21045; Betty G. Hart, 6518 Hopeton Ave., Baltimore, Md. 21215

Primary Examiner—Nelson C. Holtje
Assistant Examiner—Atoine D. Davis
Attorney, Agent, or Firm—Walter G. Finch

[**] Term: 14 Years

[57] CLAIM

The ornamental design for suspenders, as shown and described.

[21] Appl. No.: 6,599

DESCRIPTION

[22] Filed: Jan. 23, 1987

[52] U.S. Cl. D2/626

[58] Field of Search D2/626, 639, 640; 2/265, 304, 305, 306, 311, 312, 313, 323, 324, 325, 326, 327, 328, 329, 330, 331, 332, 333, 334, 337; 24/298, 301, 302, 498, 515, 516, 521

FIG. 1 is a top and left side perspective view of suspenders showing my new design; FIG. 2 is a left side elevational view of an enlarged scale, the strap having been omitted for ease of illustration; FIG. 3 is a bottom plan view on an enlarged scale, the strap having been omitted for ease of illustration; FIG. 4 is a rear elevational view on an enlarged scale, the strap having been omitted for ease of illustration; FIG. 5 is a front elevational view on an enlarged scale, the strap having been omitted for ease of illustration; FIG. 6 is a left side elevational view on an enlarged scale, the strap having been omitted for ease of illustration; and FIG. 7 is a top plan view on an enlarged scale, the strip having been omitted for ease of illustration; and FIG. 8 is a rear perspective view thereof.

[56] References Cited

U.S. PATENT DOCUMENTS

228,118	5/1880	Rheubottom	24/515 X
915,191	3/1909	Khowles	2/305
1,458,353	6/1923	Morse	24/301 X
2,309,561	4/1941	Freysinger	24/516

FOREIGN PATENT DOCUMENTS

500713	3/1920	France	2/340
50956	1/1911	Switzerland	2/340

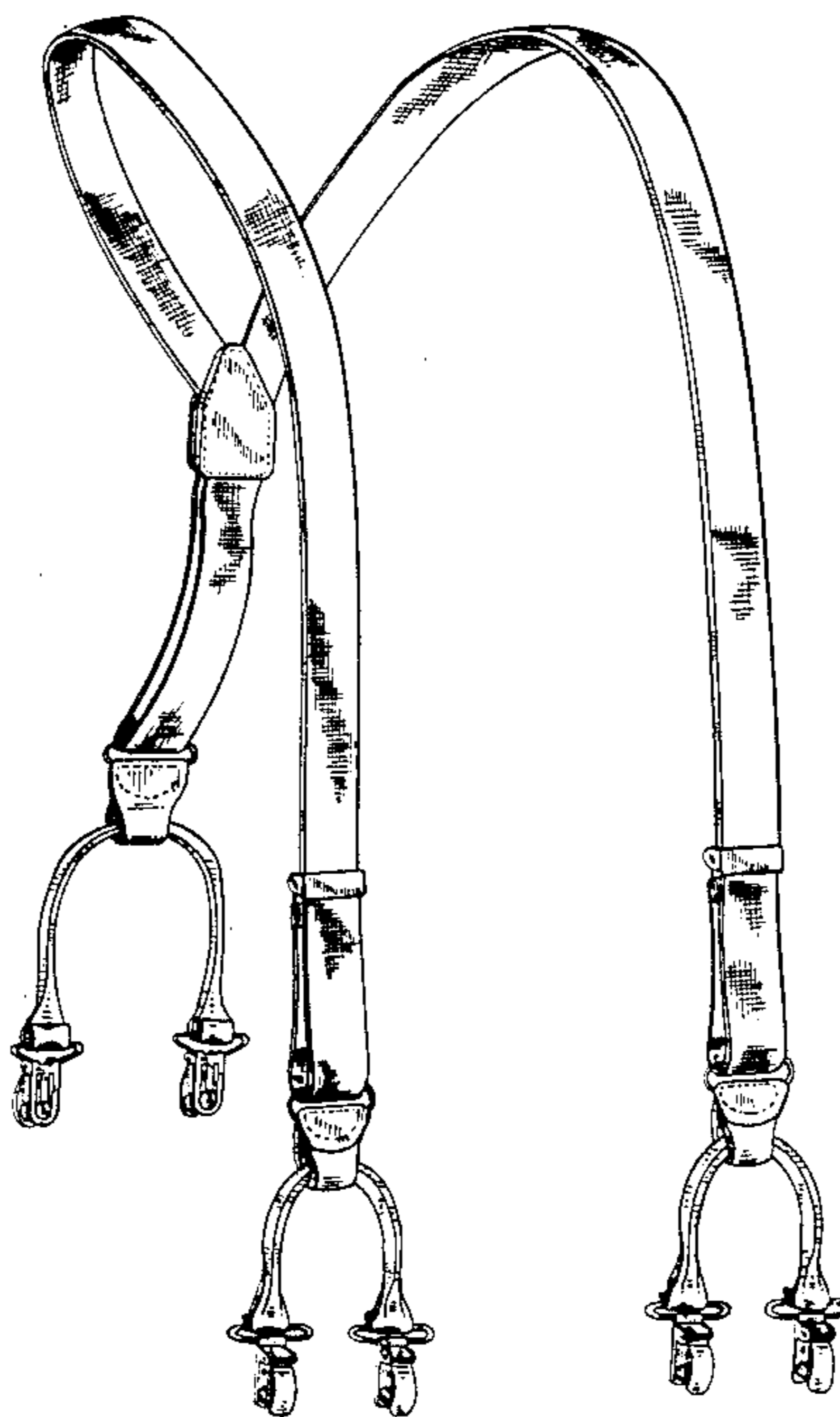


FIG. 1

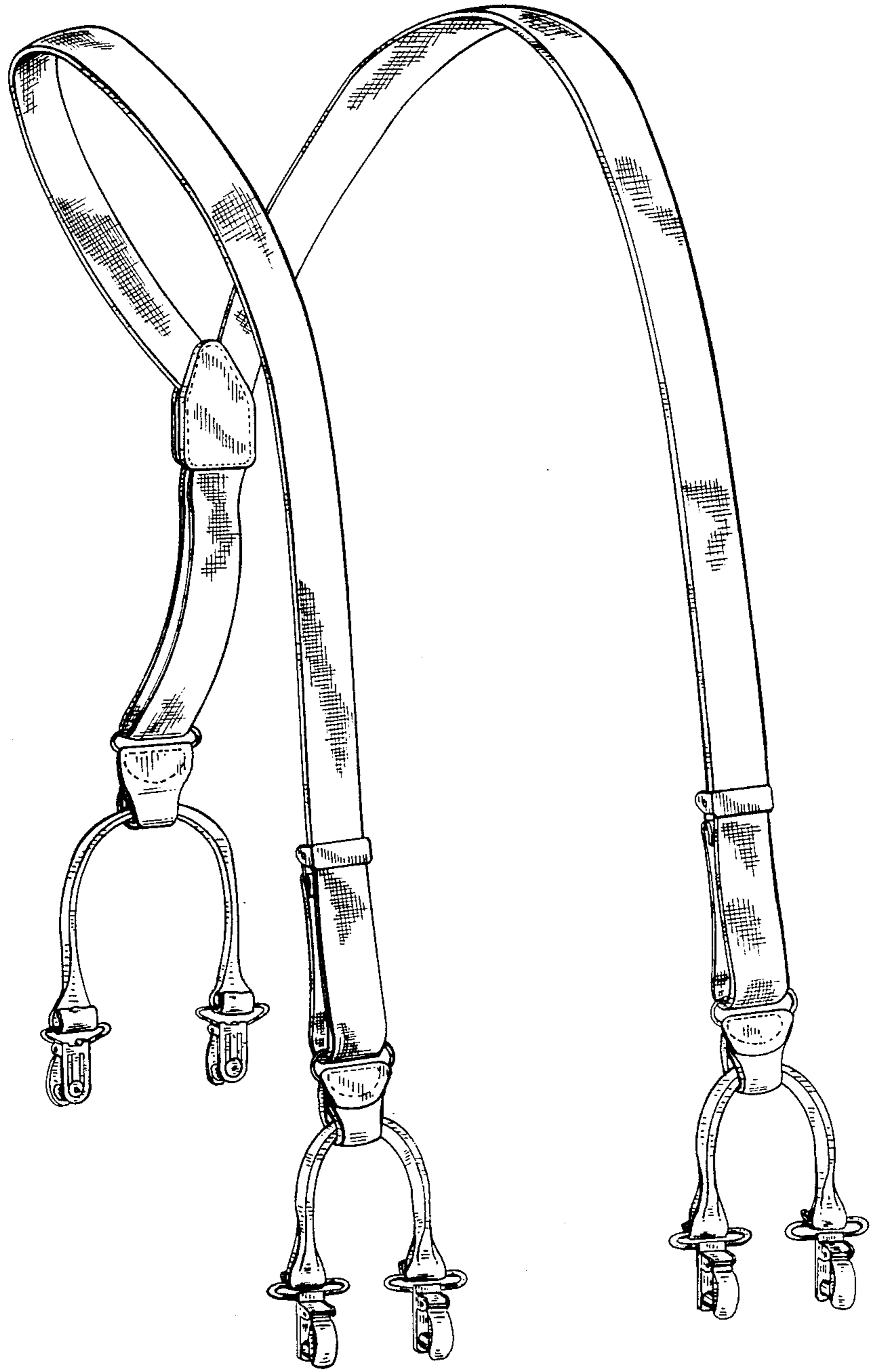


FIG. 7.

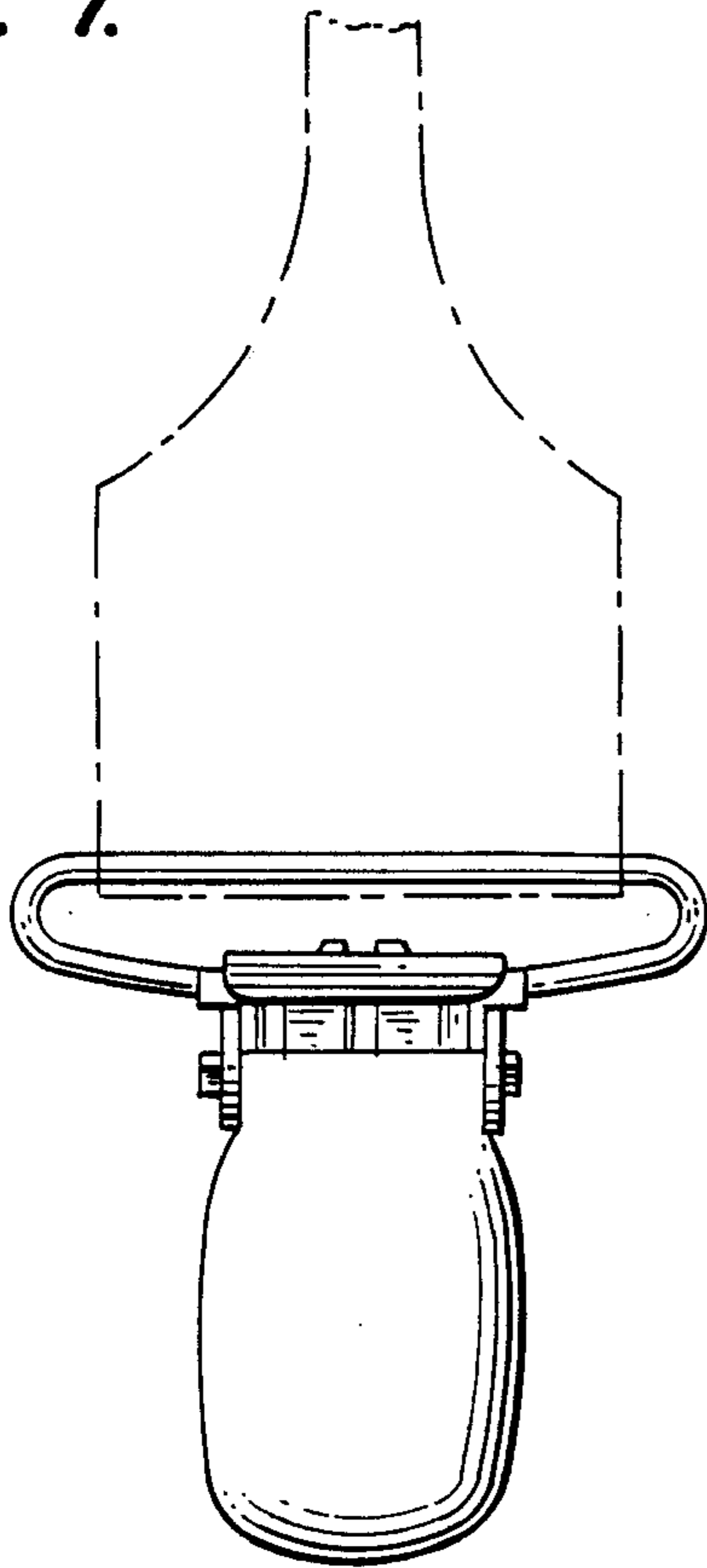


FIG. 2.

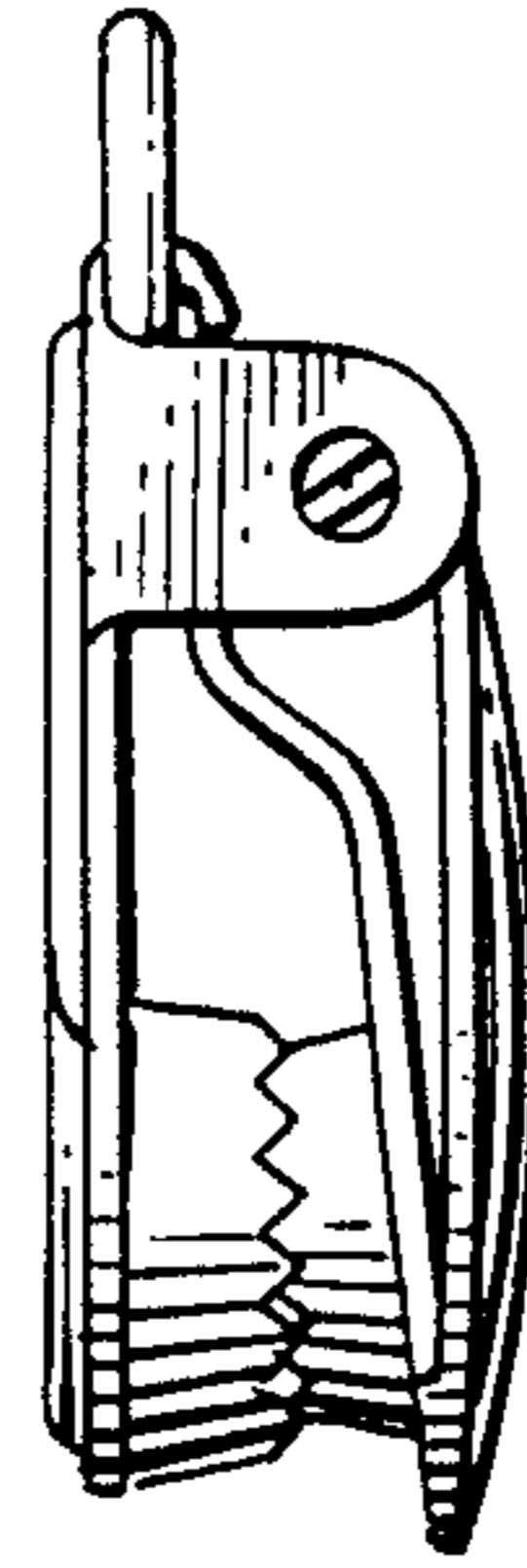


FIG. 5.

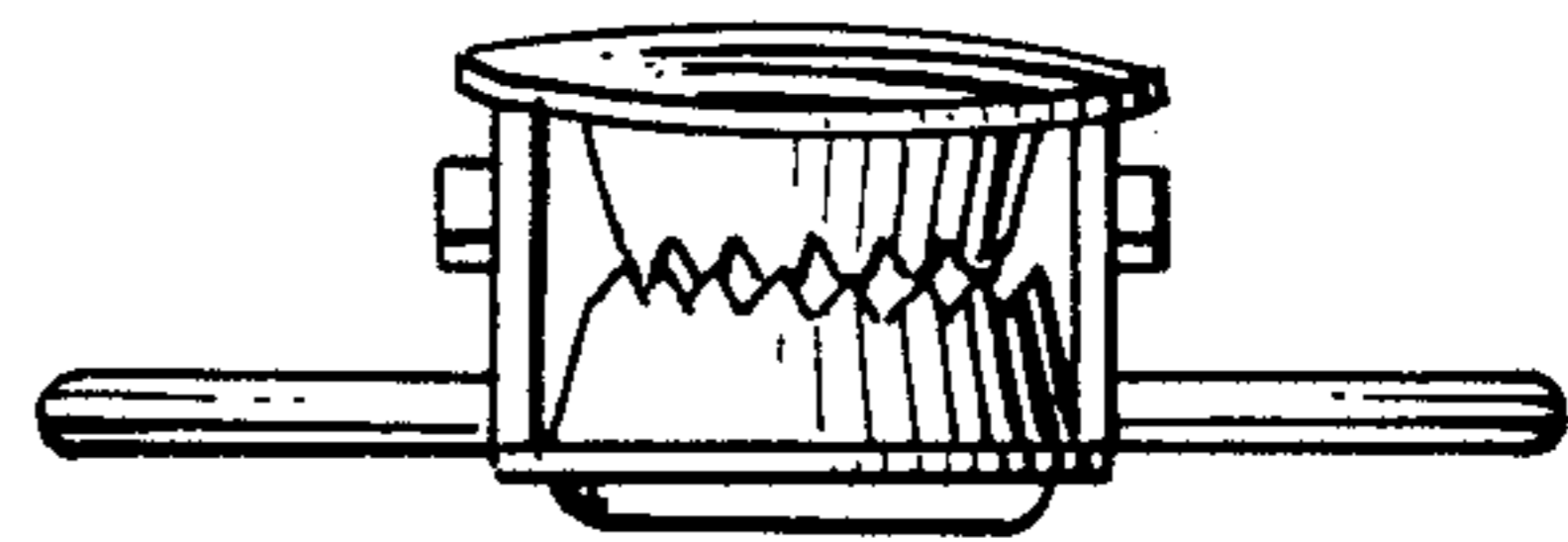


FIG. 3.

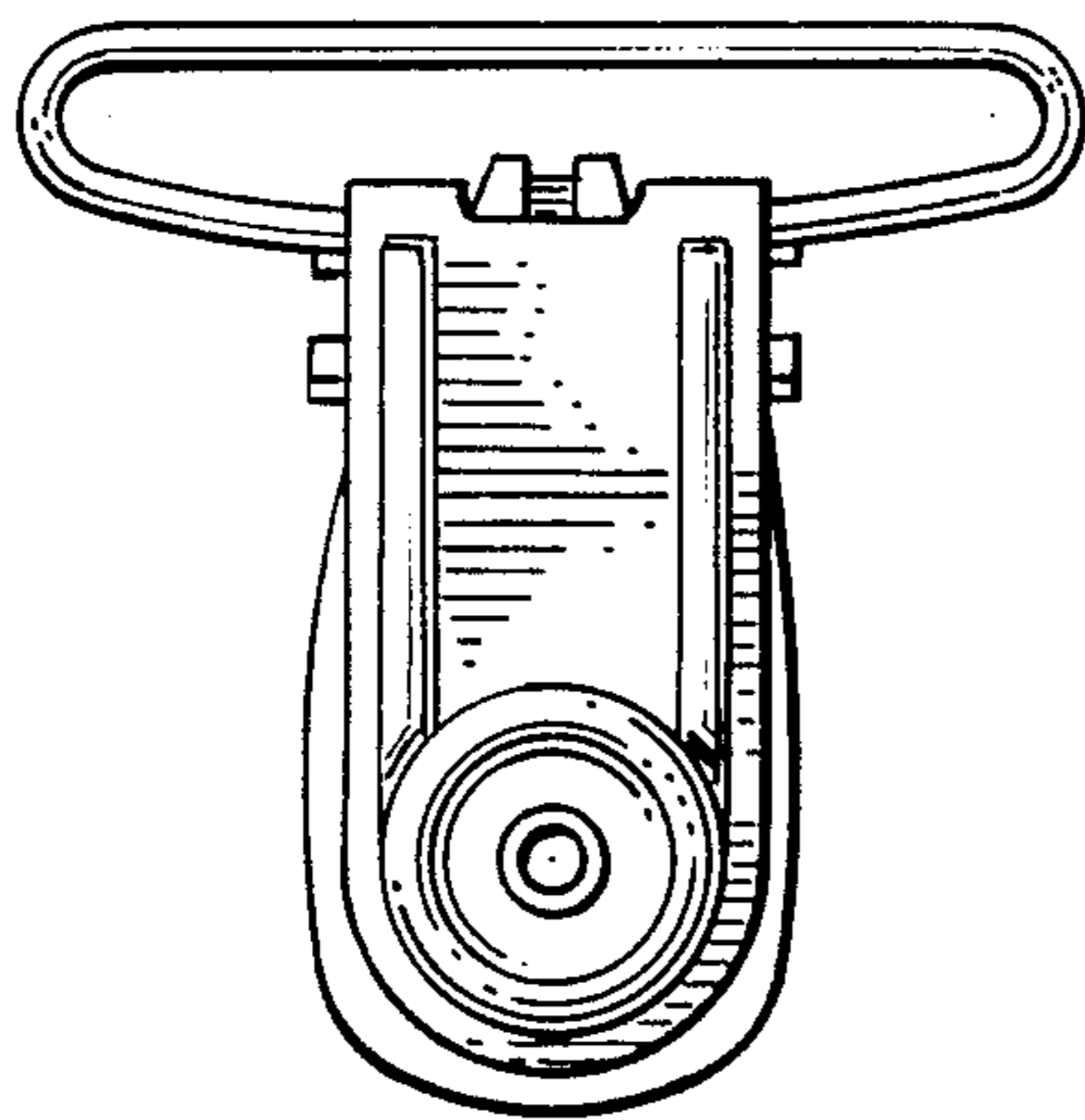


FIG. 6.

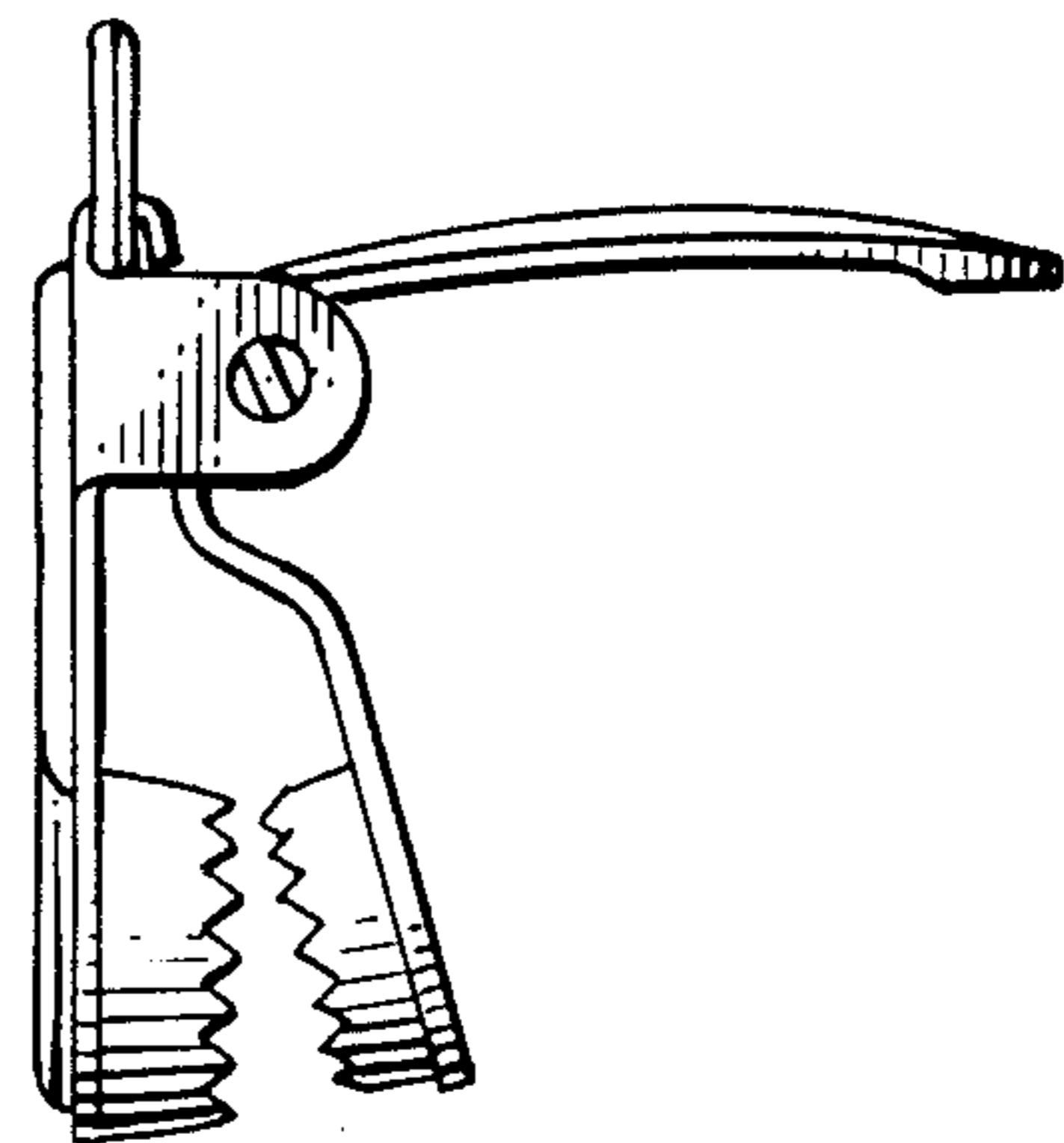


FIG. 4.



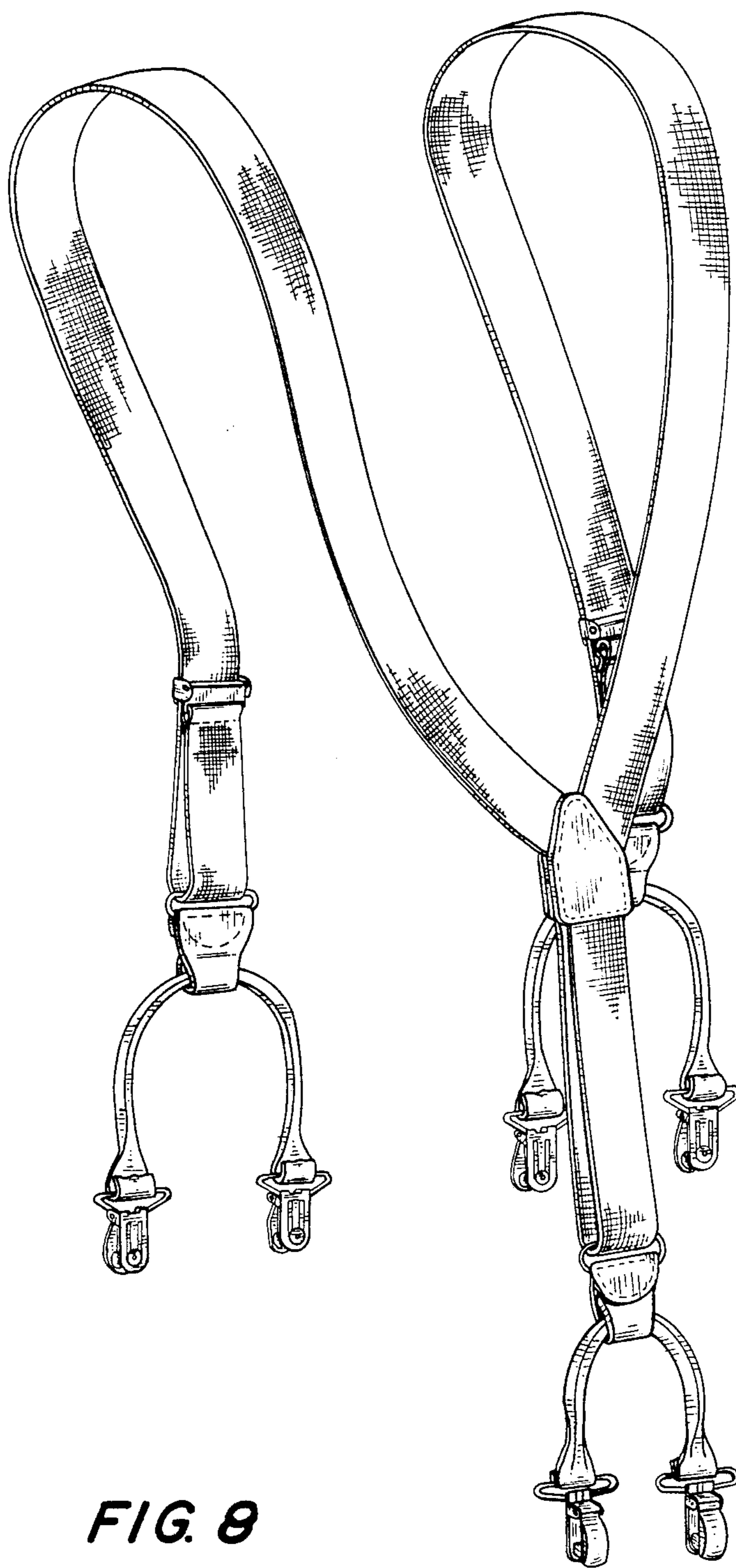


FIG. 8