

United States Patent [19]
Lundell

[11] **Patent Number: Des. 312,343**
[45] **Date of Patent: ** Nov. 20, 1990**

[54] **DENSIFIER AND COOLING ELEVATOR**

4,504,222 3/1985 Christian 34/182

[76] **Inventor: Vernon J. Lundell, Box 171,
Cherokee, Iowa 51012**

FOREIGN PATENT DOCUMENTS

976824 12/1964 United Kingdom 34/182

[**] **Term: 14 Years**

Primary Examiner—Kay H. Chin
Attorney, Agent, or Firm—Fleit, Jacobson, Cohn, Price,
Holman & Stern

[21] **Appl. No.: 806,944**

[22] **Filed: Nov. 29, 1985**

[52] **U.S. Cl. D34/29; D34/28**

[57] **CLAIM**

[58] **Field of Search D34/28, 29; 34/182;
414/502; 198/304**

The ornamental design for a densifier and cooling ele-
vator, as shown and described.

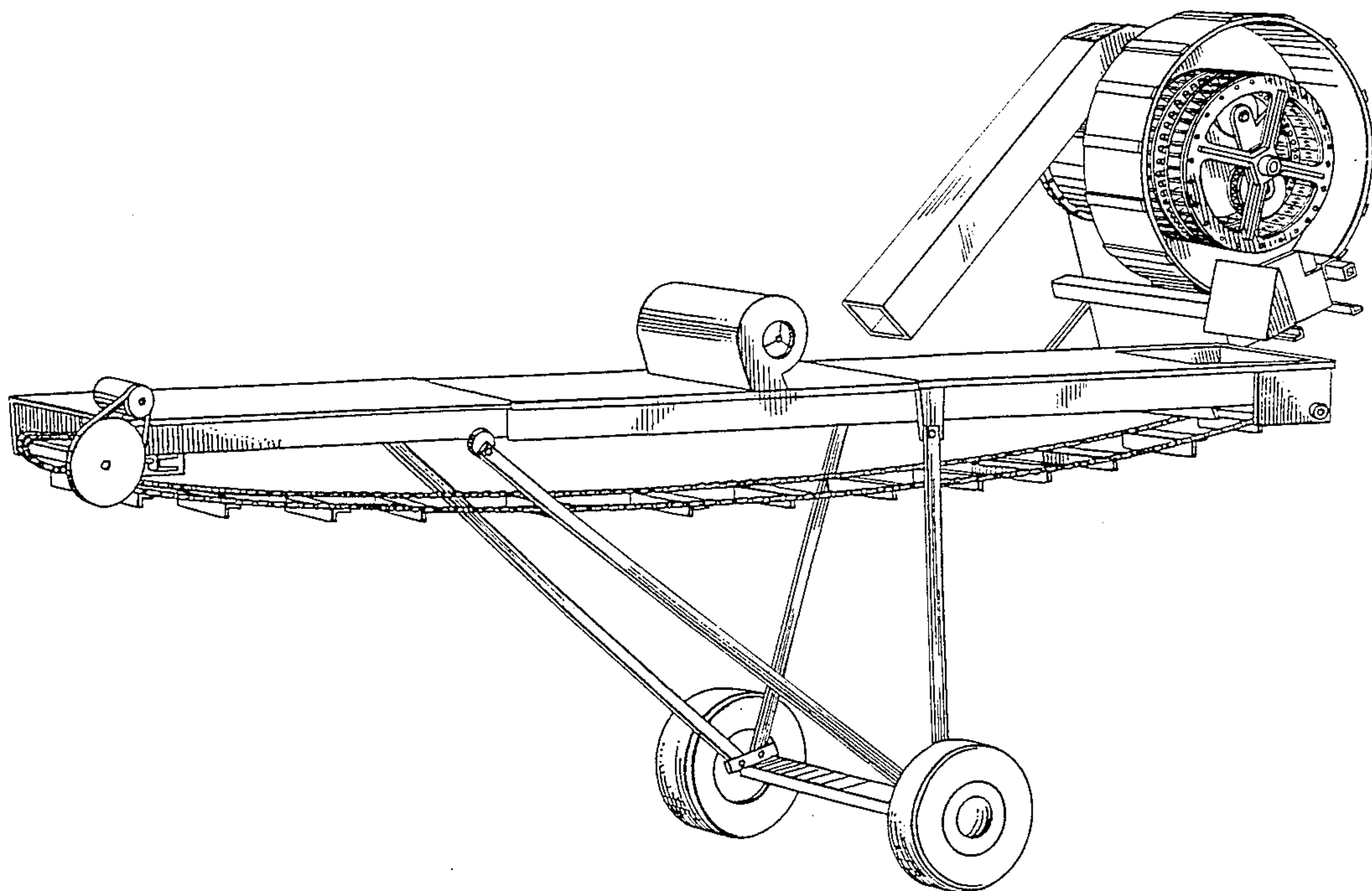
[56] **References Cited**

DESCRIPTION

U.S. PATENT DOCUMENTS

D. 225,774	1/1973	Hannon	D34/29
D. 259,791	7/1981	Davis, Jr.	D34/28
4,156,392	5/1979	Bayeh	34/182
4,497,122	2/1985	Nelson et al.	34/182

FIG. 1 is a front perspective view of a densifier and cooling elevator showing my new design; FIG. 2 is a rear perspective view thereof; and FIG. 3 is a perspective view of the densifier on a larger scale shown separately for clarity of illustration.



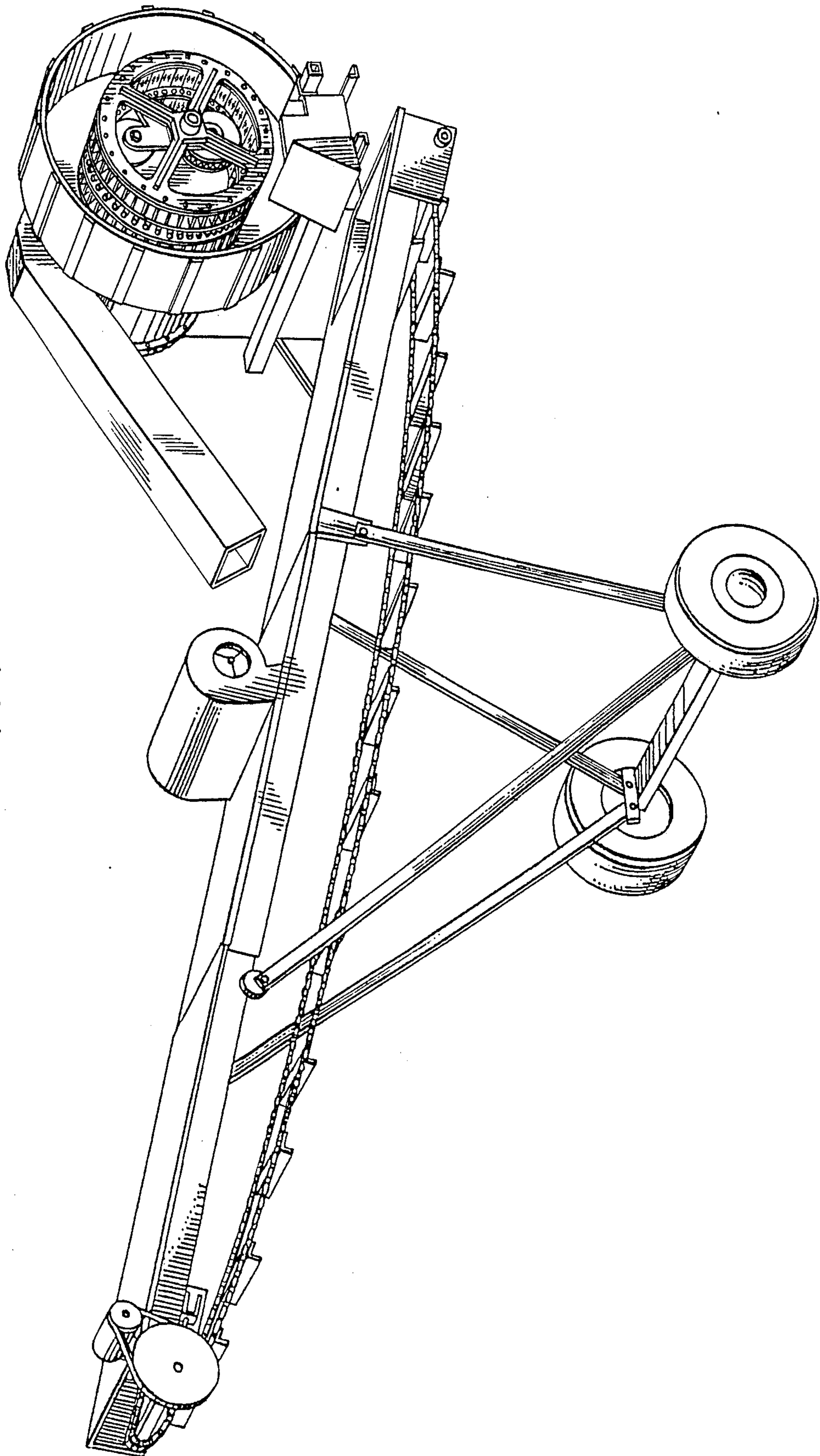


FIG. 1

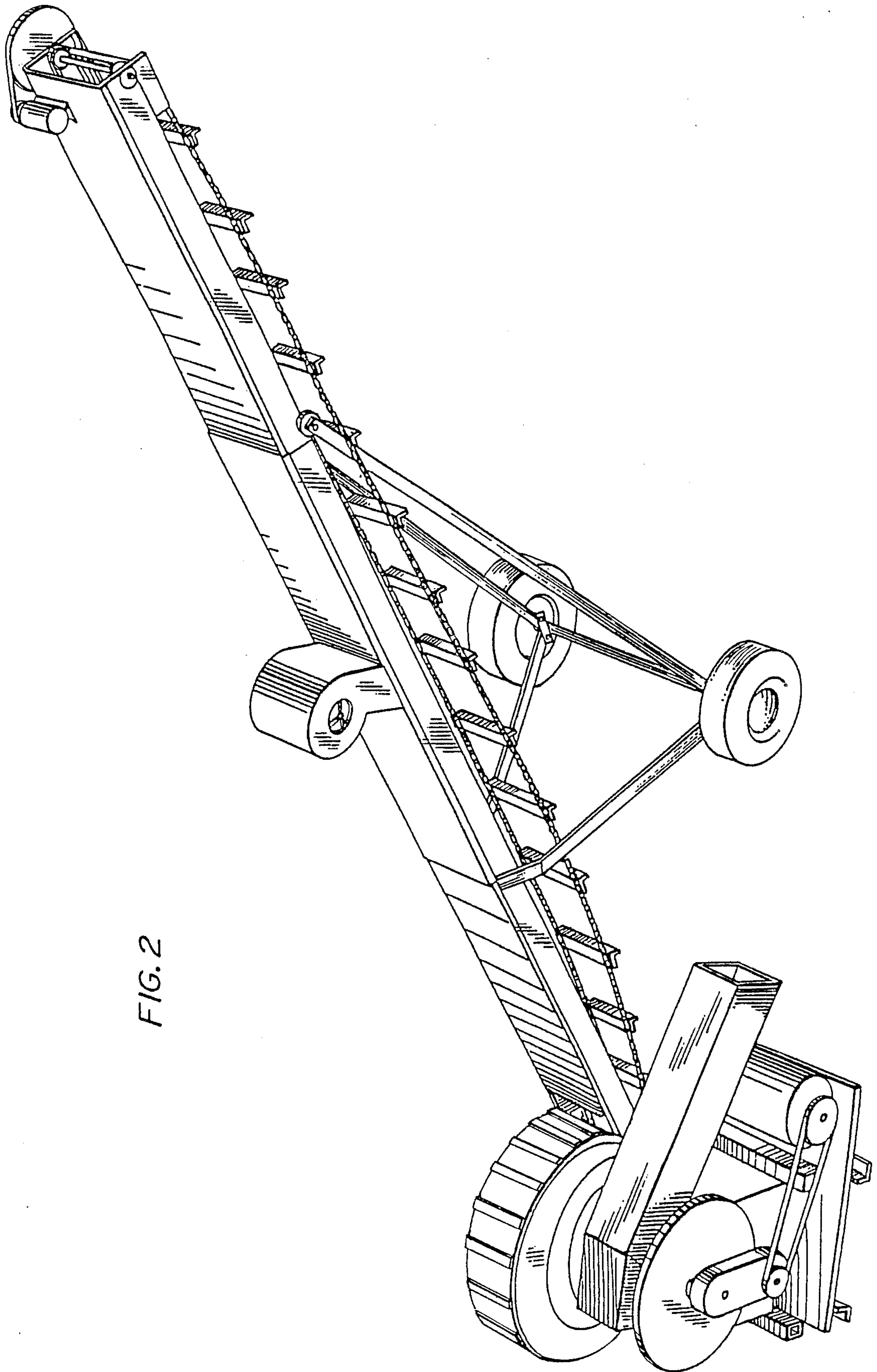


FIG. 2

FIG. 3

