

[54] JUICE CART

[75] Inventor: Charles C. Jarrett, Bellevue, Wash.

[73] Assignee: Nutri-Fruit, Inc., Bellevue, Wash.

[**] Term: 14 Years

[21] Appl. No.: 192,844

[22] Filed: May 11, 1988

[52] U.S. Cl. D34/20; D34/21

[58] Field of Search D34/17, 12, 19, 20, D34/21, 23, 14; 28/79.11, 79.3, 47.34; 248/129; 312/125, 250, 294

[56] References Cited

U.S. PATENT DOCUMENTS

- D. 215,834 11/1969 Bard D34/21
- D. 287,177 12/1986 Spicer D34/21
- 3,868,157 2/1975 Robinson 312/125

FOREIGN PATENT DOCUMENTS

2379416 10/1978 France 312/250

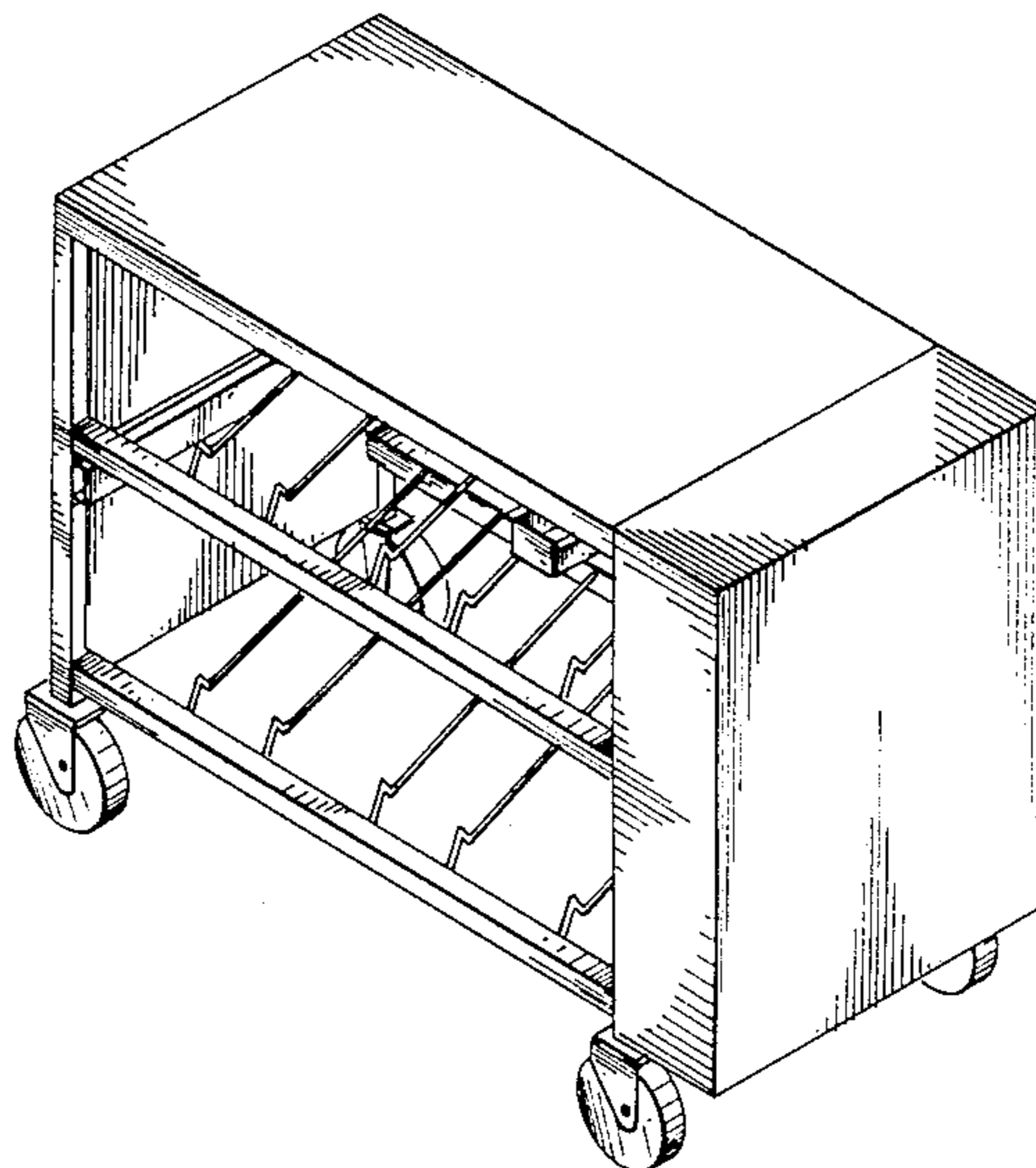
Primary Examiner—Kay H. Chin
Attorney, Agent, or Firm—Christensen, O'Connor,
Johnson & Kindness

[57] CLAIM

The ornamental design for a juice cart, as shown and described.

DESCRIPTION

FIG. 1 is a front and right side perspective view of a juice cart showing my new design;
 FIG. 2 is a right side elevational view thereof, the left side elevational view being a mirror image of that shown;
 FIG. 3 is a front elevational view thereof;
 FIG. 4 is a rear elevational view thereof;
 FIG. 5 is a bottom plan view thereof; and
 FIG. 6 is a top plan view thereof.



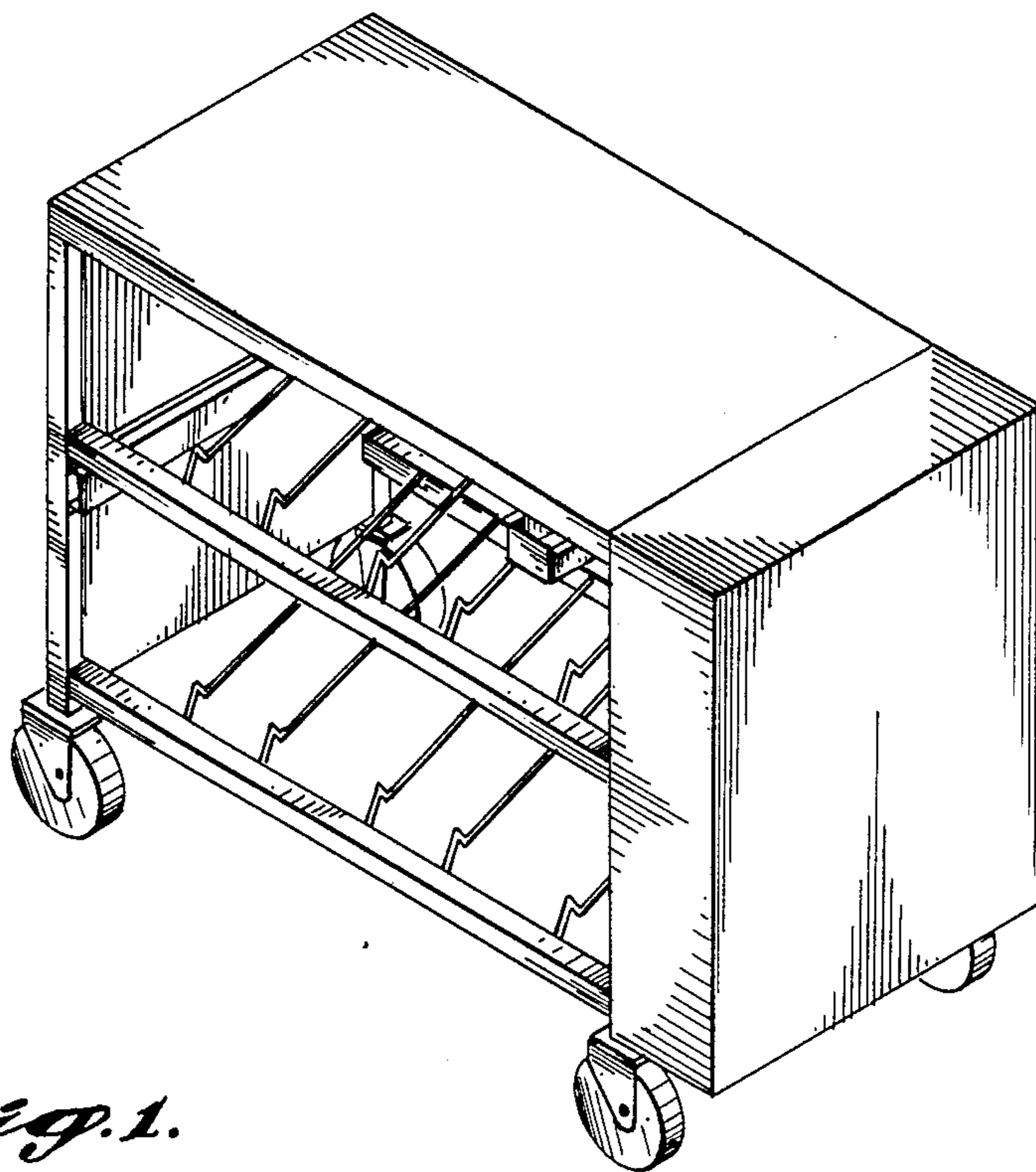


Fig. 1.

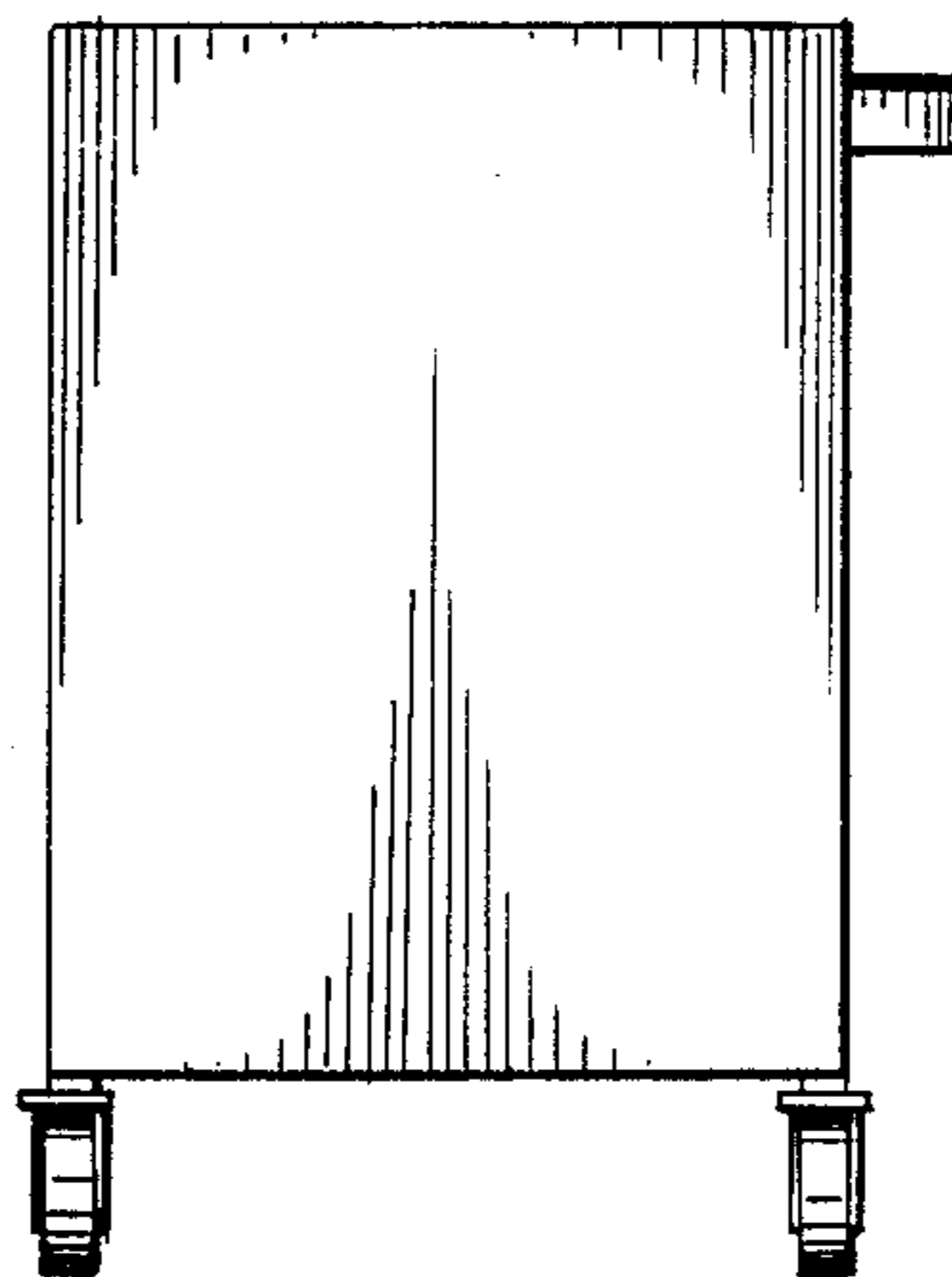


Fig. 2.

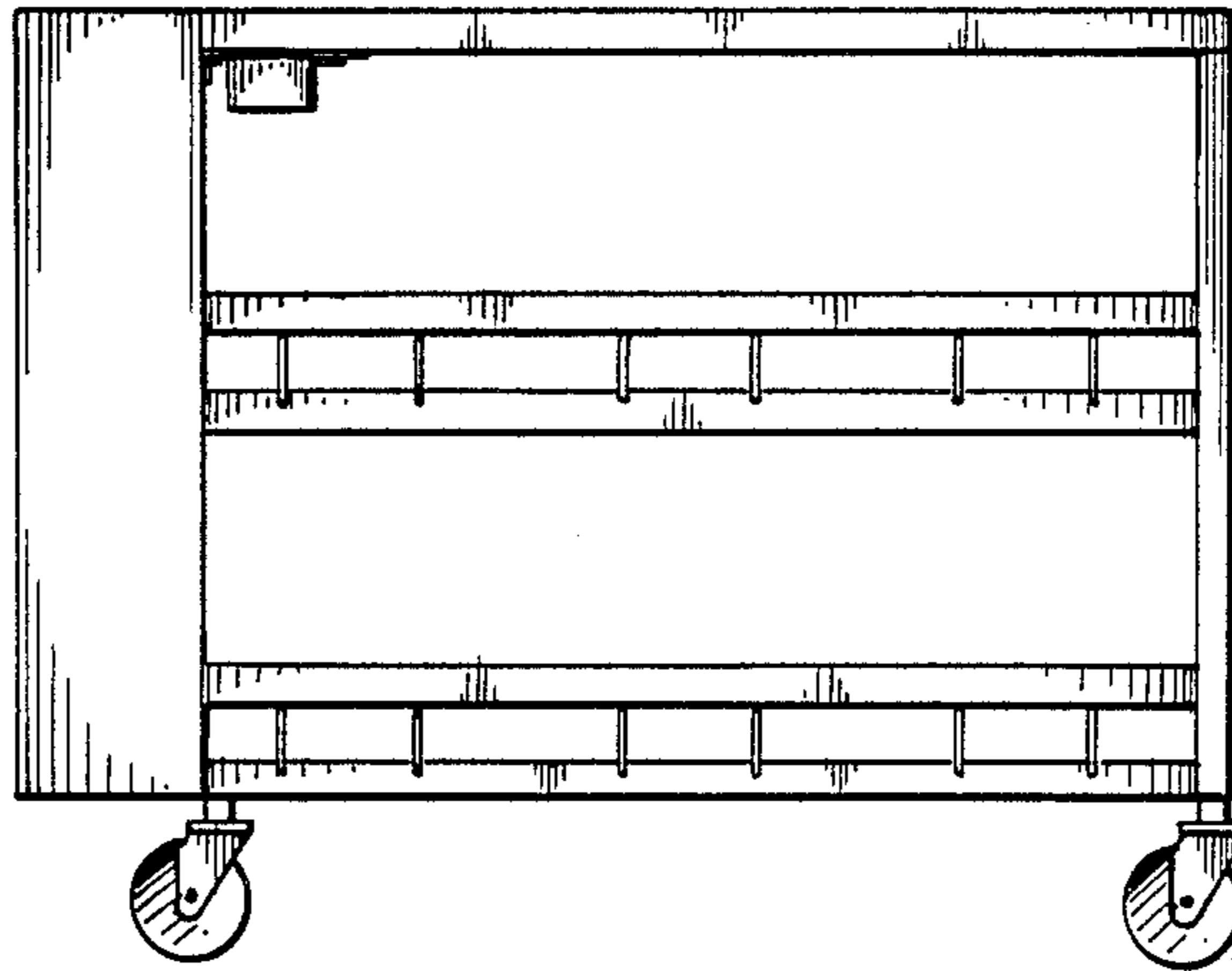


Fig. 3.

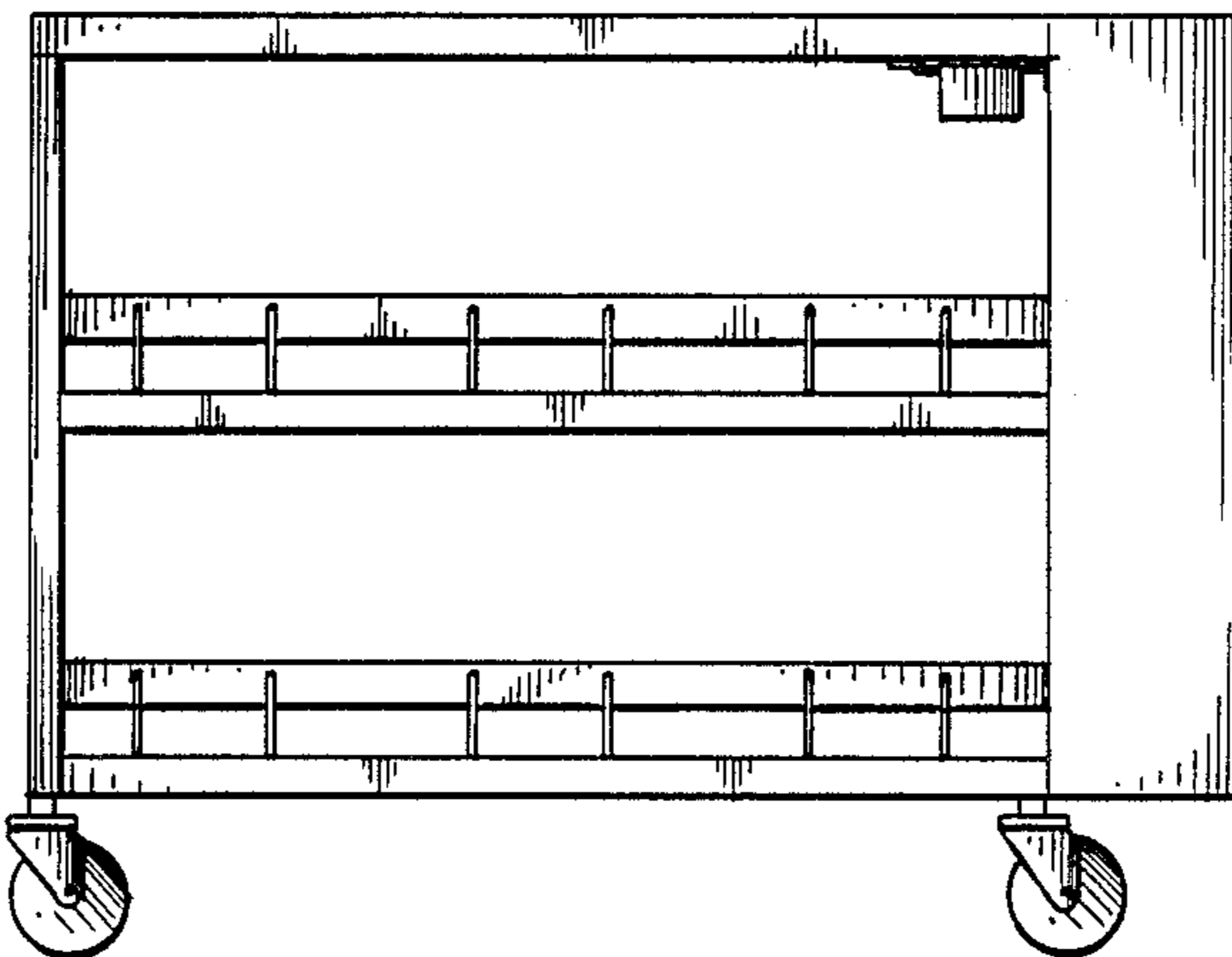


Fig. 4.

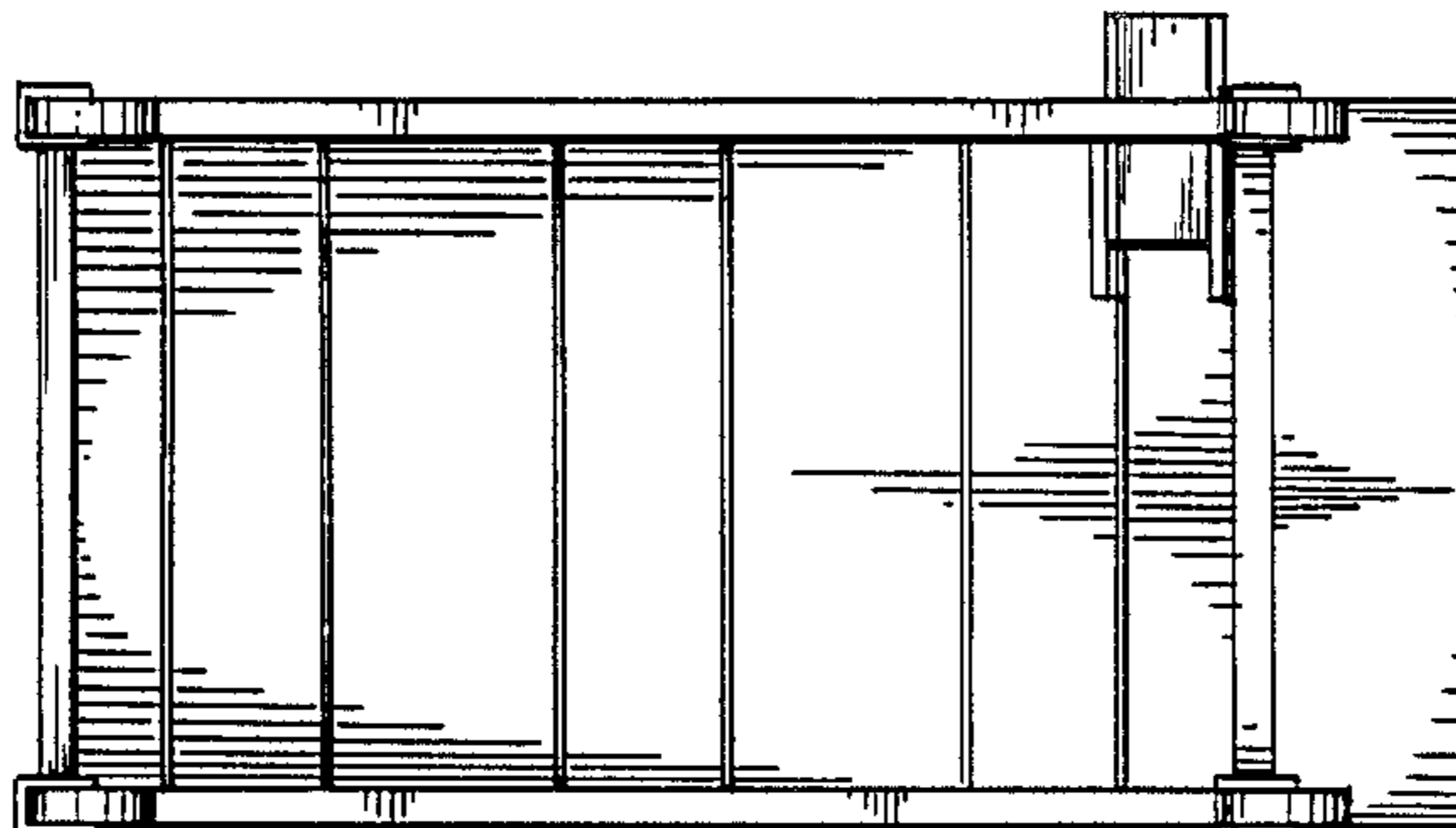


Fig. 5.

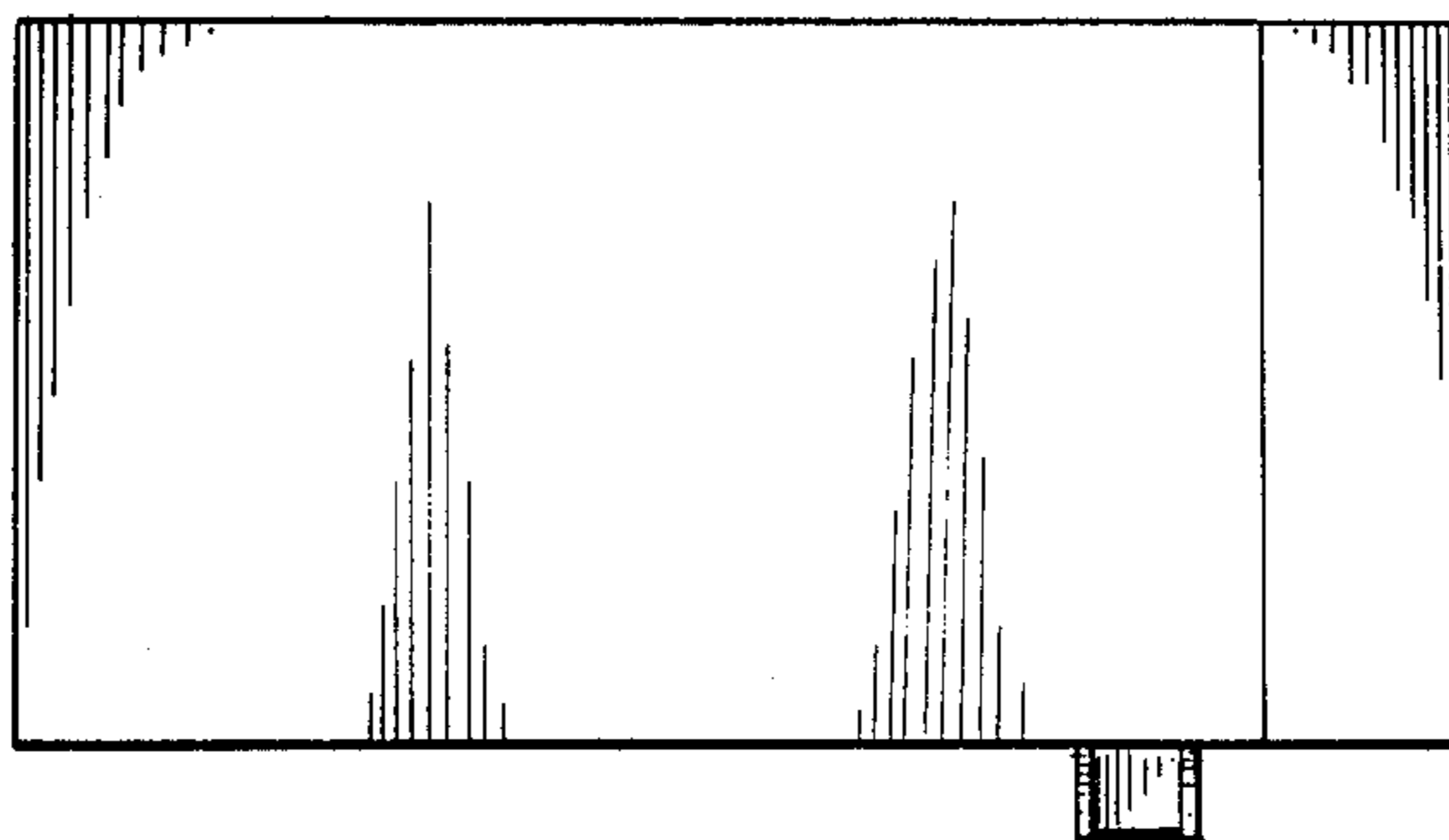


Fig. 6.