

United States Patent [19]
Hagstrand

[11] **Patent Number: Des. 312,338**
[45] **Date of Patent: ** Nov. 20, 1990**

[54] **VACUUM CLEANER NOZZLE**
[75] **Inventor: Olof G. Hagstrand, Stockholm, Sweden**
[73] **Assignee: Aktiebolaget Electrolux, Stockholm, Sweden**
[**] **Term: 14 Years**
[21] **Appl. No.: 240,227**
[22] **Filed: Sep. 2, 1988**
[30] **Foreign Application Priority Data**
Mar. 3, 1988 [SE] Sweden 88-0550
[52] **U.S. Cl. D32/32**
[58] **Field of Search D32/25, 31-34; 15/415 R, 415 A, 418, 419, 420, 421, 422**

[56] **References Cited**
U.S. PATENT DOCUMENTS
D. 230,345 2/1974 Brown et al. D32/32

D. 248,476 7/1978 Haynes D32/32
D. 262,708 1/1982 Essex D32/32
D. 263,236 3/1982 Veda D32/32
D. 298,876 12/1988 Yamamoto et al. D32/33

Primary Examiner—A. Hugo Word
Assistant Examiner—Ruth McInroy
Attorney, Agent, or Firm—Pearne, Gordon, McCoy & Granger

[57] **CLAIM**

The ornamental design for a vacuum cleaner nozzle, as shown and described.

DESCRIPTION

FIG. 1 is a top perspective view of a vacuum cleaner nozzle showing my new design;
FIG. 2 is a top plan view thereof;
FIG. 3 is a front elevational view thereof;
FIG. 4 is a bottom plan view thereof;
FIG. 5 is a left side elevational view thereof;
FIG. 6 is a right side elevational view thereof; and
FIG. 7 is a rear elevational view thereof.

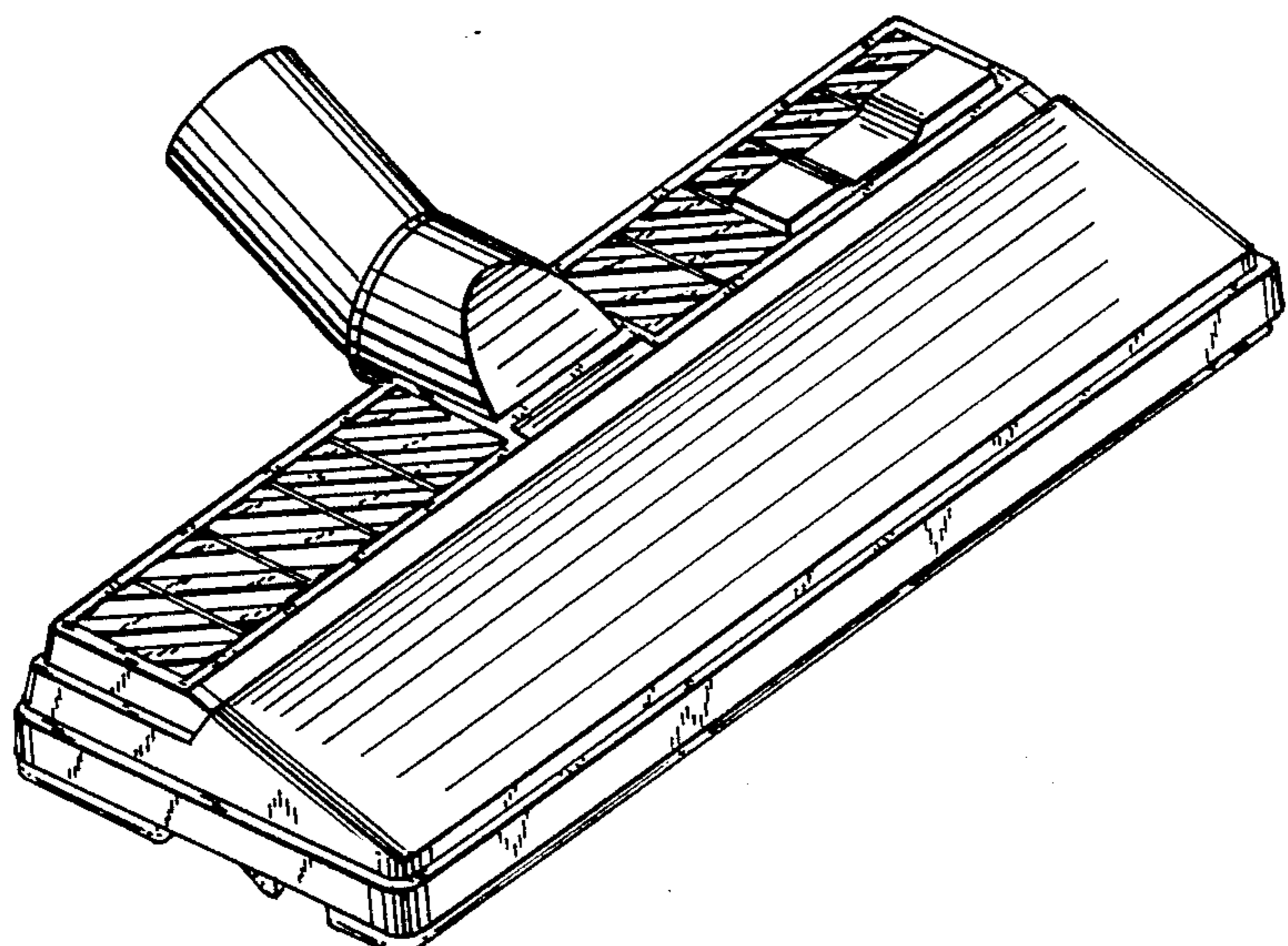


FIG. 1

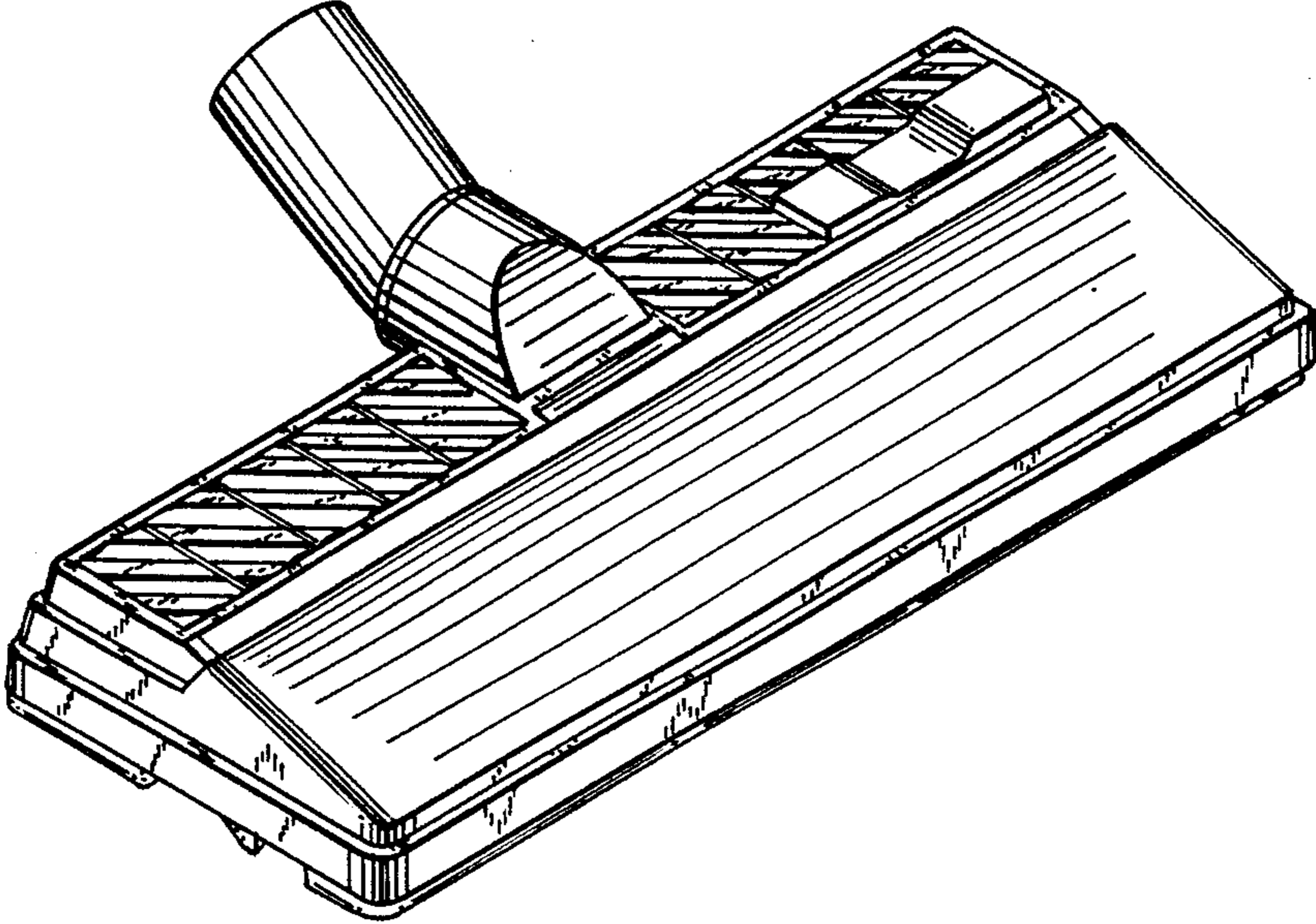


FIG. 2

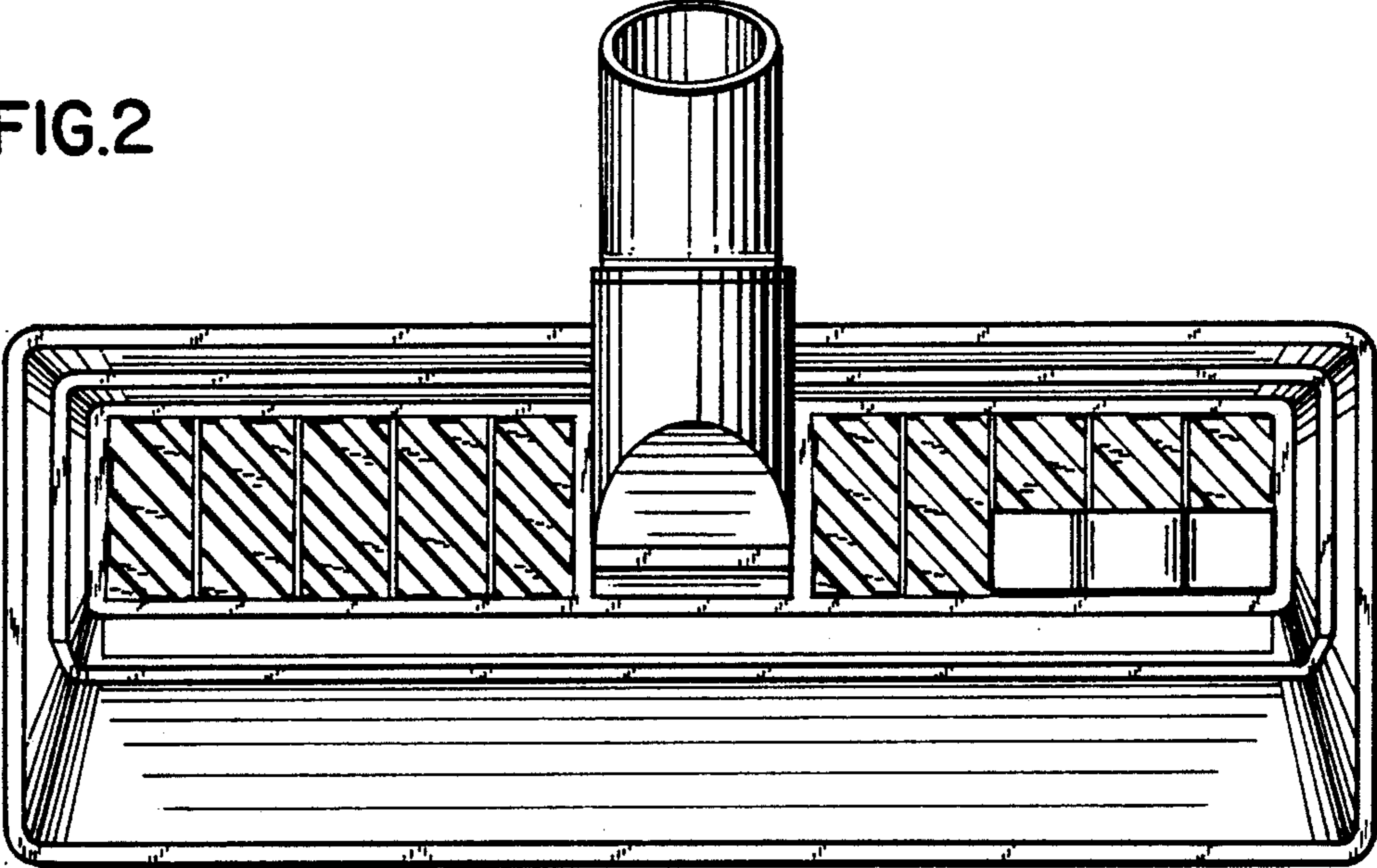


FIG.3

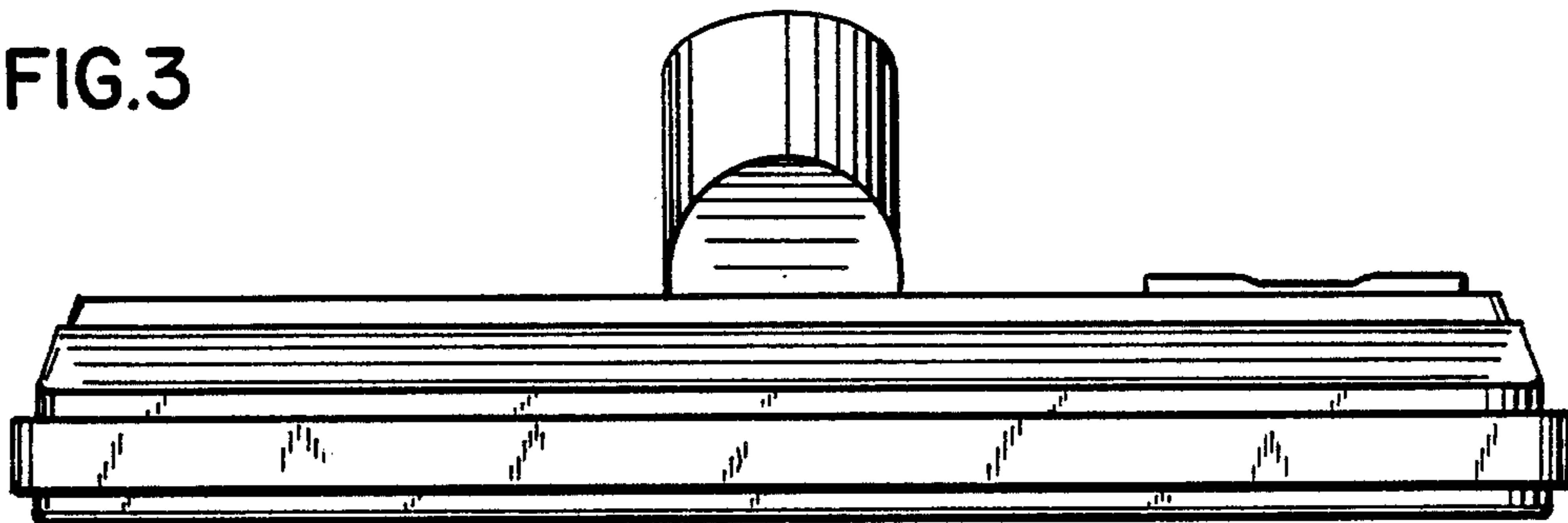


FIG.4

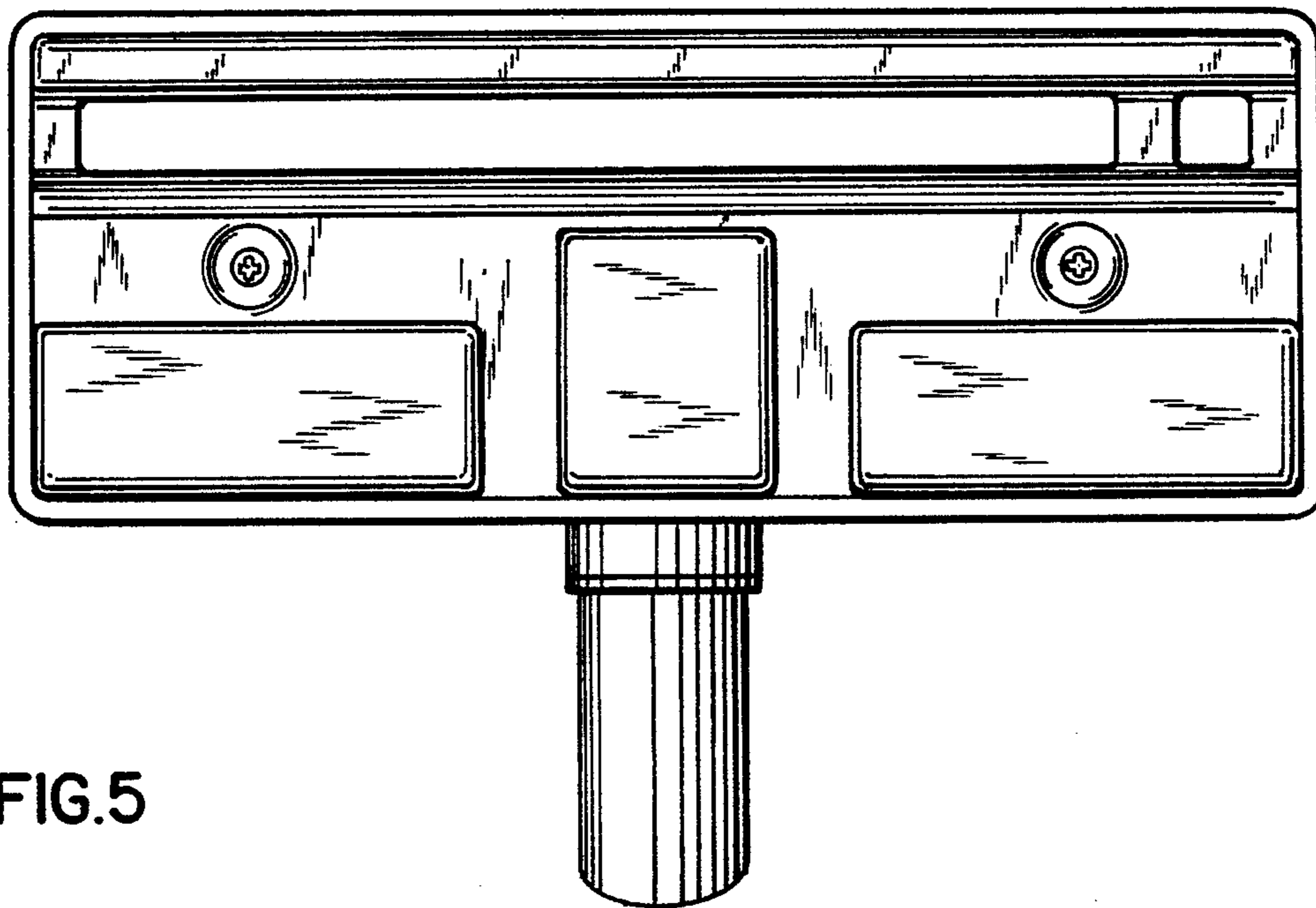


FIG.5

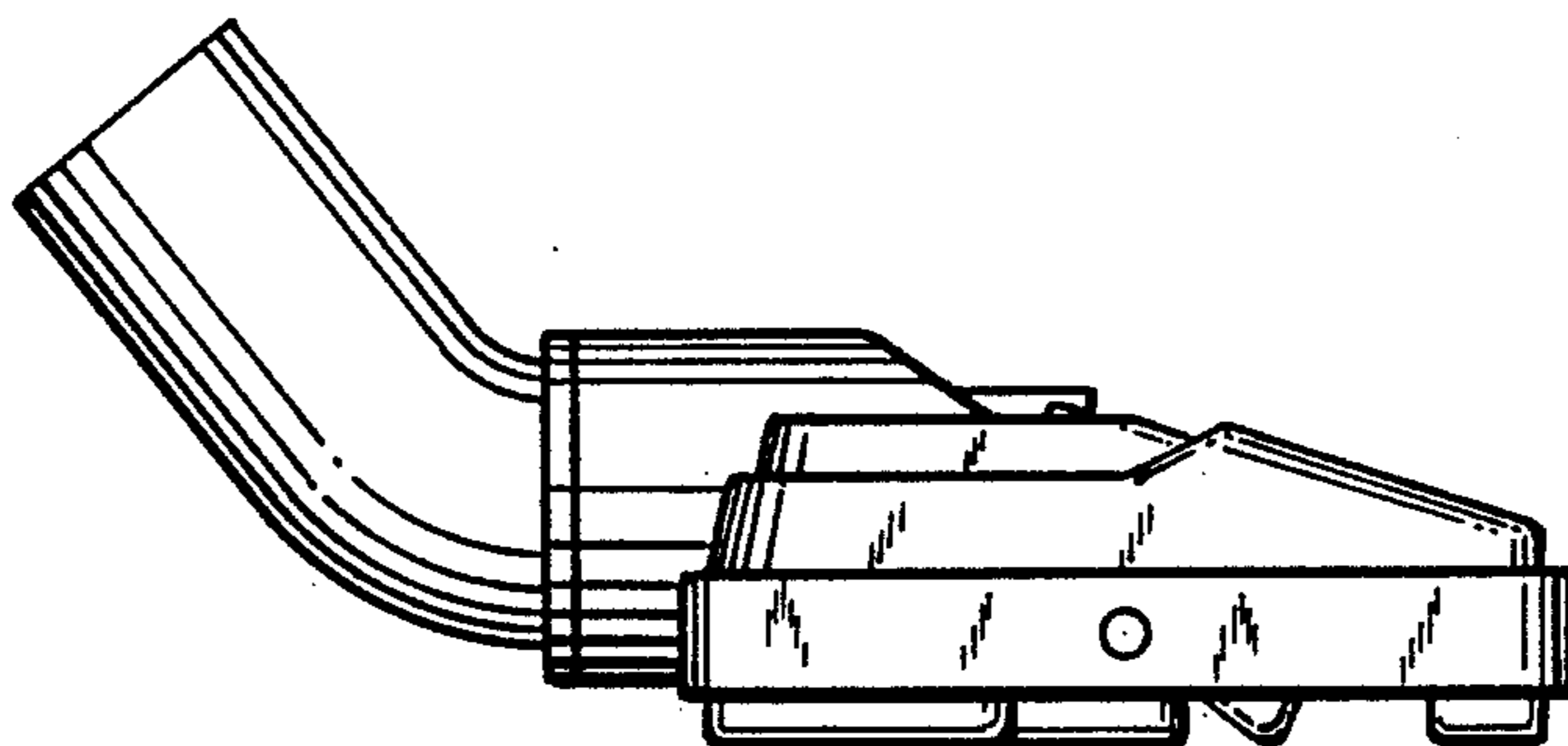


FIG.6

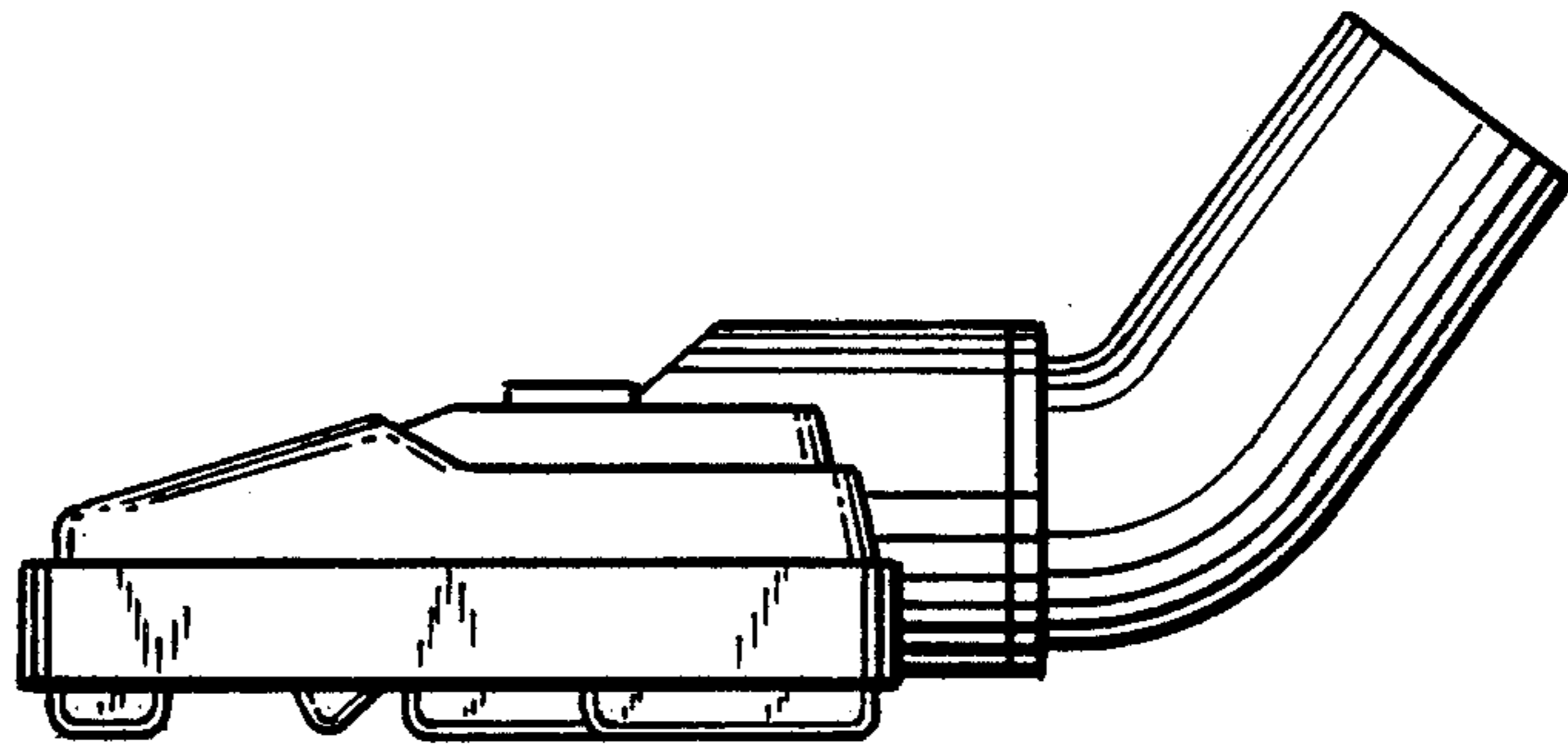


FIG.7

