

[54] **TIMED ANIMAL FEEDER**

[75] Inventor: **Christopher P. Kirk,**
 Sunbury-on-Thames, United
 Kingdom

[73] Assignee: **Pet Mate Ltd.,** Twickenham,
 England

[**] Term: **14 Years**

[21] Appl. No.: **257,042**

[22] Filed: **Oct. 12, 1988**

[30] **Foreign Application Priority Data**

Apr. 13, 1987 [GB] United Kingdom 1 049 932
 [52] U.S. Cl. **D30/122**
 [58] Field of Search D24/8, 34; D30/121,
 D30/122, 132, 106, 129, 133, 130, 131;
 119/51.1, 51.11, 51.12, 51.5, 51.04, 61, 73, 72,
 74, 77, 78

[56]

References Cited

U.S. PATENT DOCUMENTS

D. 204,369	4/1966	Lepper	D30/122
D. 249,284	9/1978	Hericourt	D30/122
D. 257,692	12/1980	Thayer	D30/121
2,157,682	5/1939	Sweeney	119/51.12
3,137,272	6/1964	Lepper	119/51.12
3,232,274	2/1966	Chatfield et al.	119/51.12
3,646,912	3/1972	Gardner	119/51.12
4,164,200	8/1979	Gambling	119/51.12
4,644,903	2/1987	Shaver	119/51.12

Primary Examiner—James R. Largen
Assistant Examiner—Cathy Anne MacCormac
Attorney, Agent, or Firm—Young & Thompson

[57]

CLAIM

The ornamental design for a timed animal feeder, as shown.

DESCRIPTION

FIG. 1 is a perspective view taken from the top, front and right side of a timed animal feeder showing my new design;
 FIG. 2 is a front elevational view thereof.
 FIG. 3 is a top plan view of FIG. 2; and
 FIG. 4 is a right side elevational view of FIG. 2.

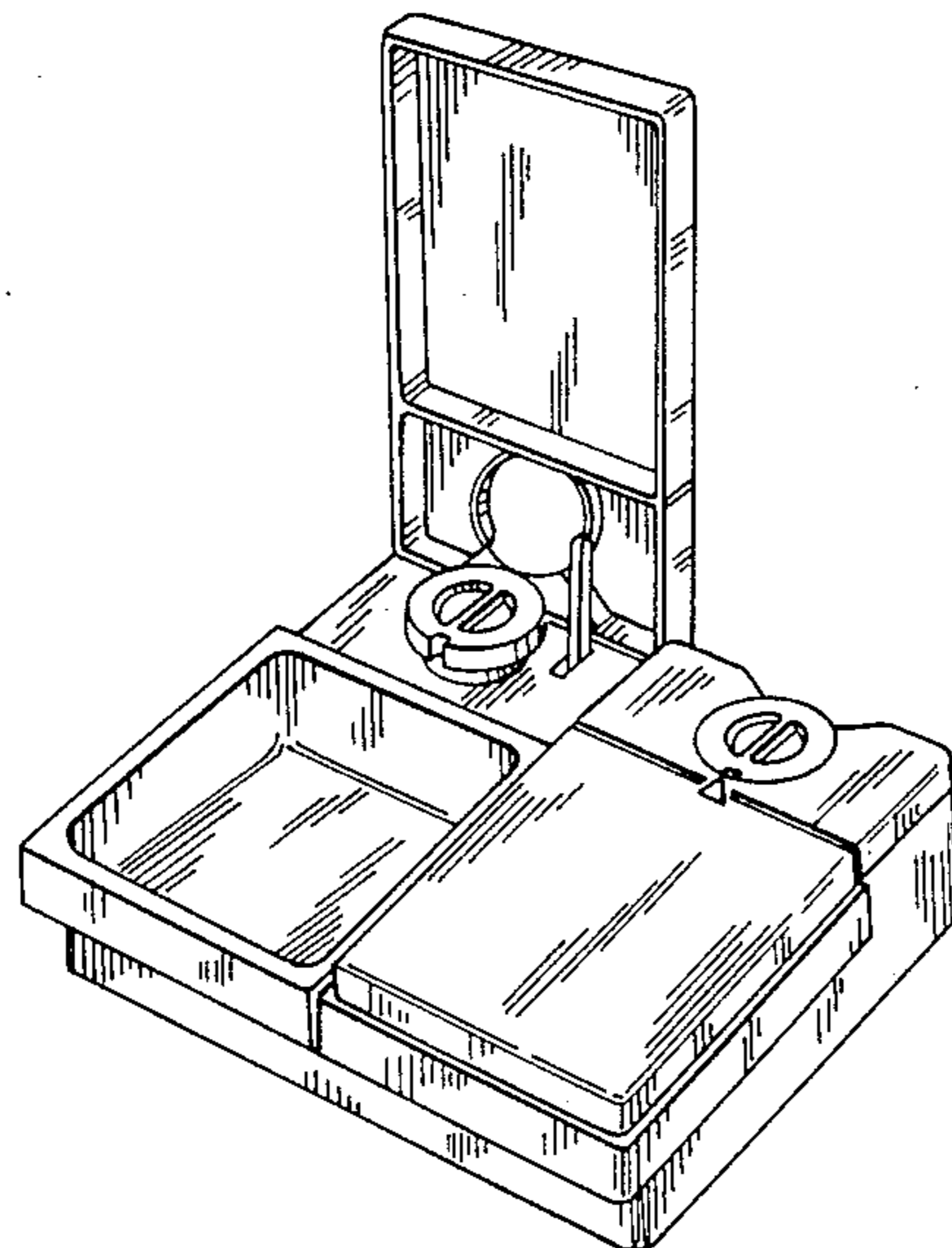


Fig. 1

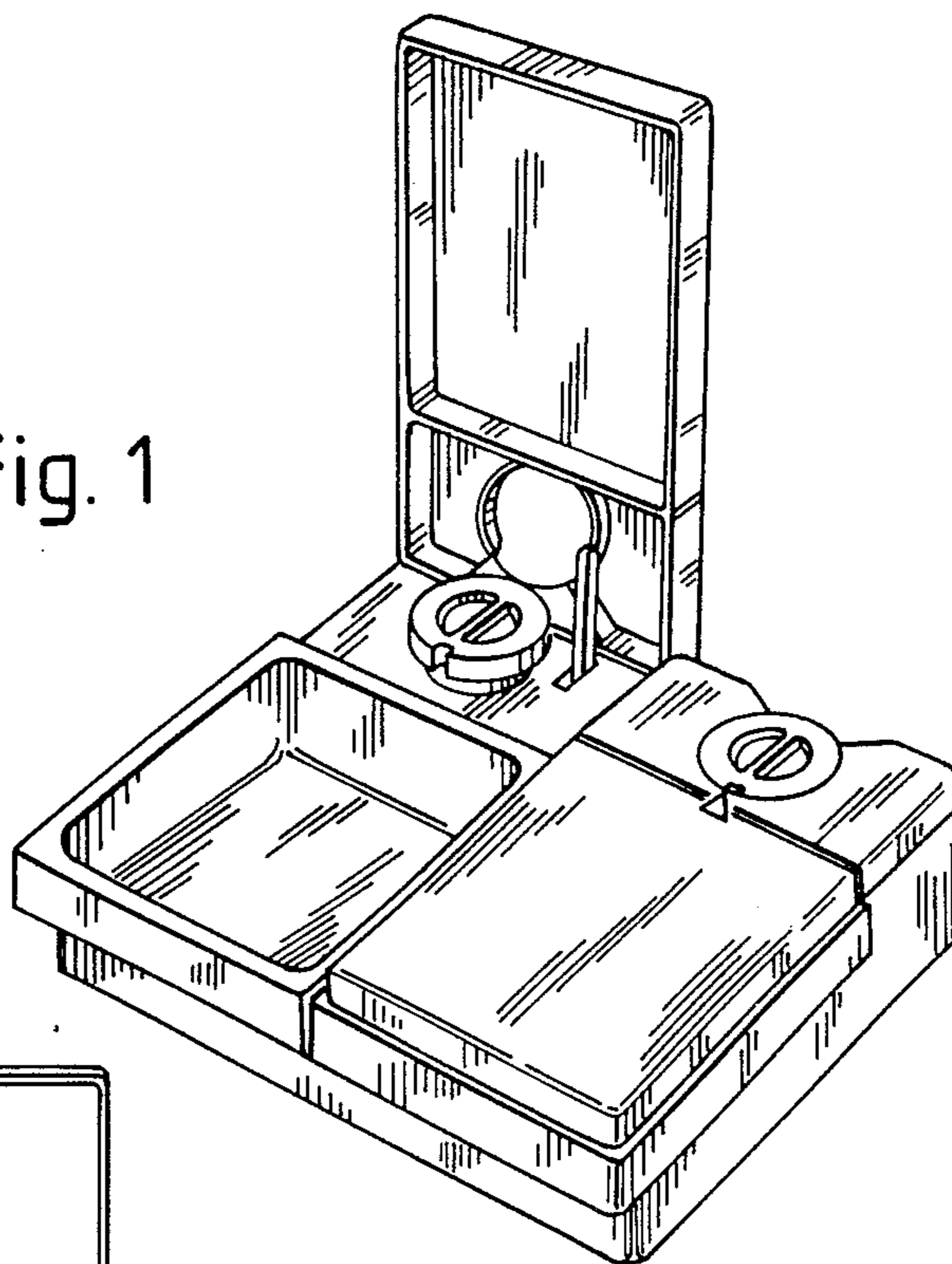
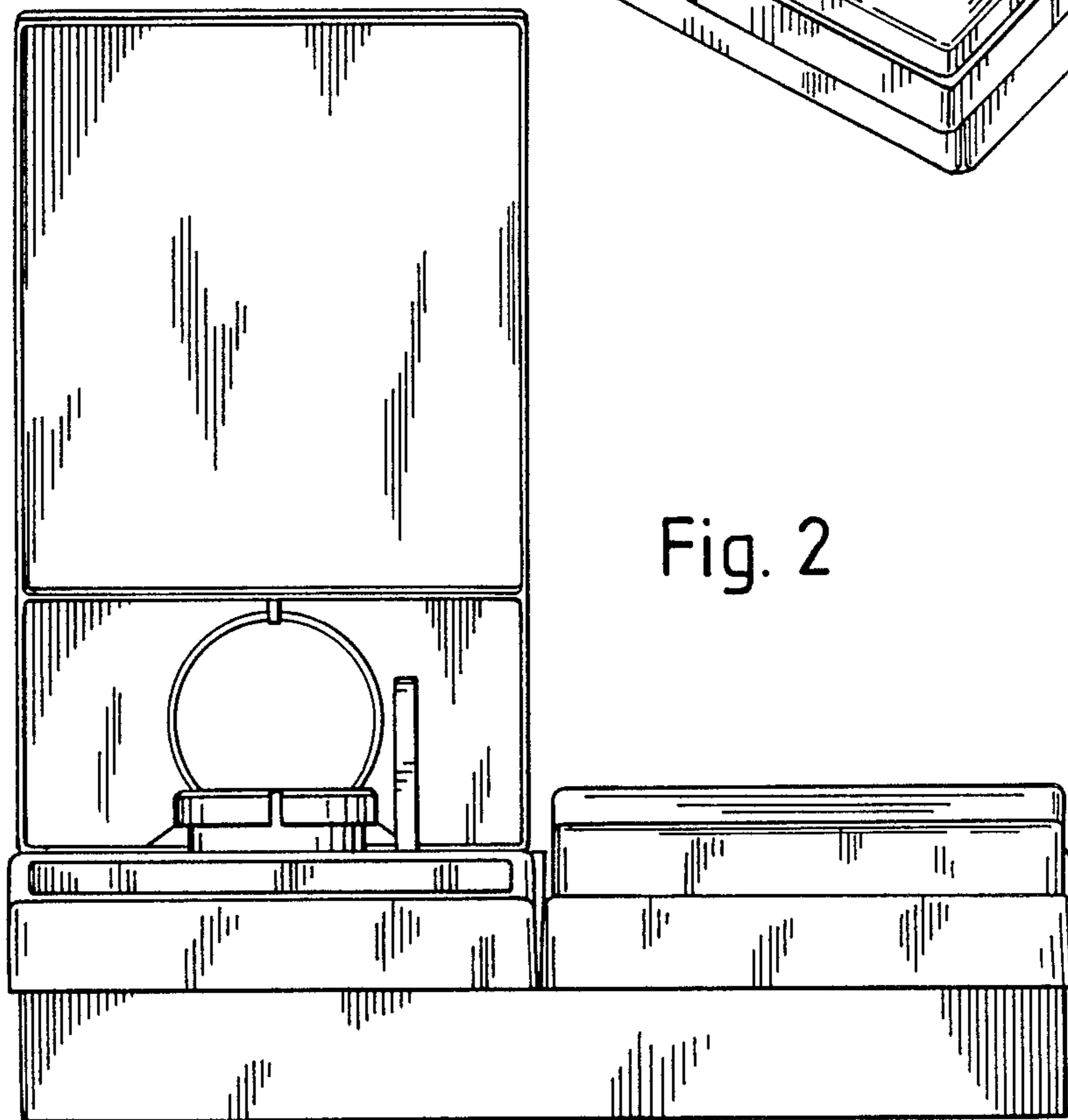


Fig. 2



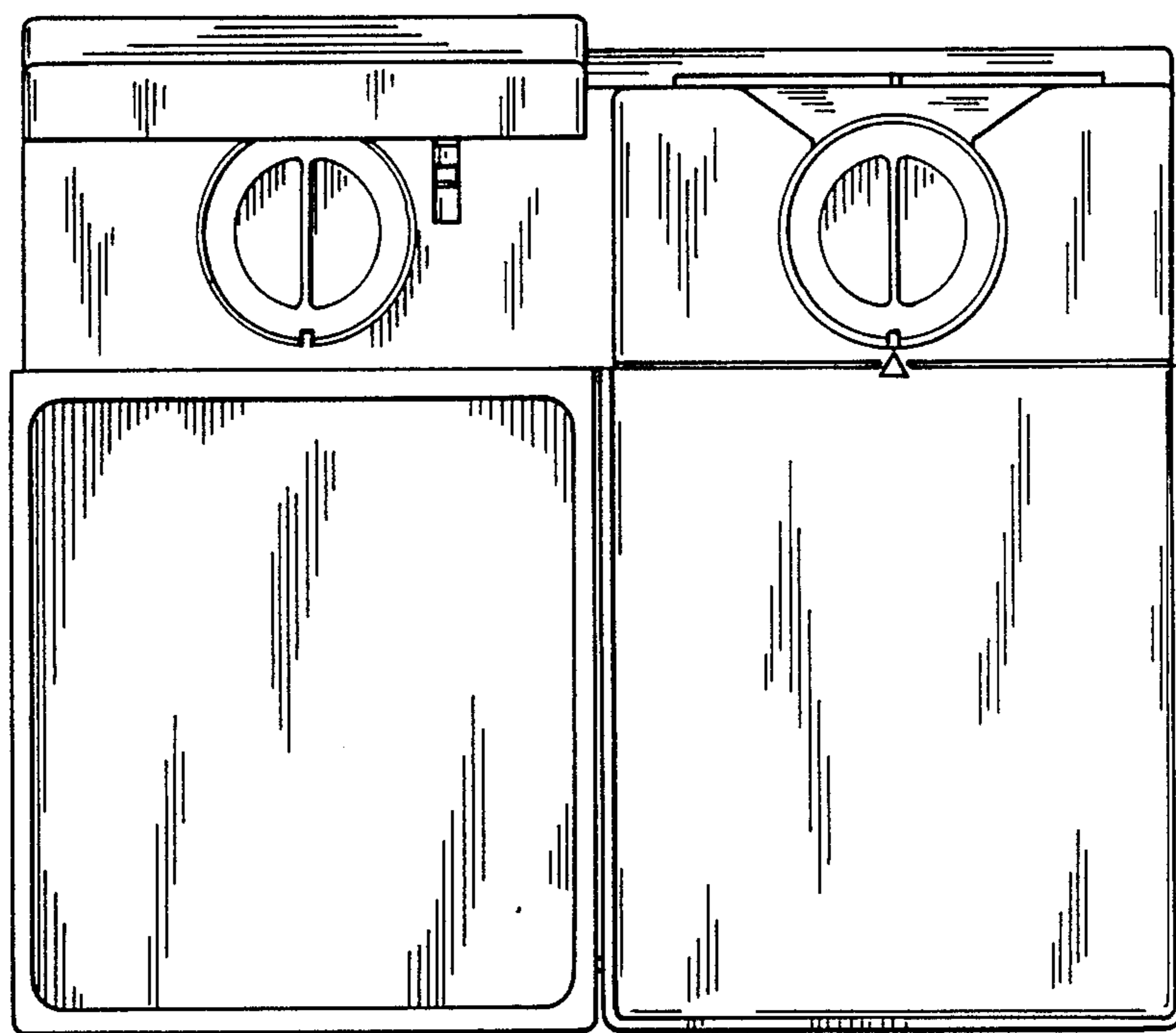


Fig. 3

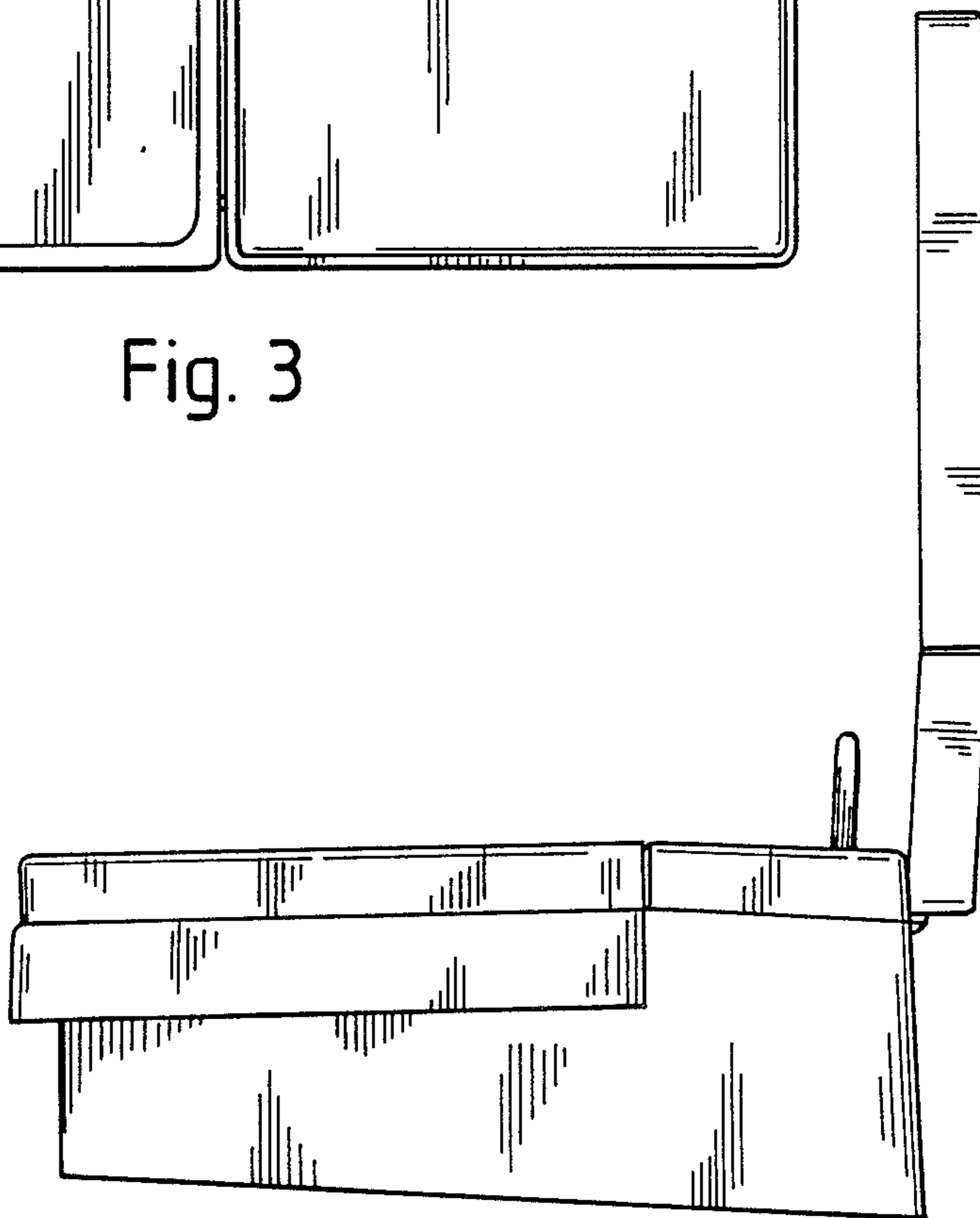


Fig. 4