

# United States Patent [19]

Van Skiver

[11] Patent Number: **Des. 312,333**

[45] Date of Patent: **\*\* Nov. 20, 1990**

- [54] **PORTABLE PET KENNEL**
- [75] Inventor: **Ralph Van Skiver, Arlington, Tex.**
- [73] Assignee: **Doskocil Manufacturing Co., Inc.,  
Arlington, Tex.**
- [\*\*] Term: **14 Years**
- [21] Appl. No.: **101,766**
- [22] Filed: **Sep. 28, 1987**
- [52] U.S. Cl. .... **D30/109**
- [58] Field of Search ..... **D30/108-120;  
119/19, 17; 220/7**

4,397,398	8/1983	Watanabe .....	119/19
4,484,540	11/1984	Yamamoto .....	119/19
4,590,885	5/1986	Sugiura .....	119/19
4,852,520	8/1989	Goetz .....	119/19

### OTHER PUBLICATIONS

Design 408, Dec. 1982, p. 28, top left item.

*Primary Examiner*—James R. Largen  
*Attorney, Agent, or Firm*—Charles W. McHugh

### [57] CLAIM

The ornamental design for a portable pet kennel, as shown.

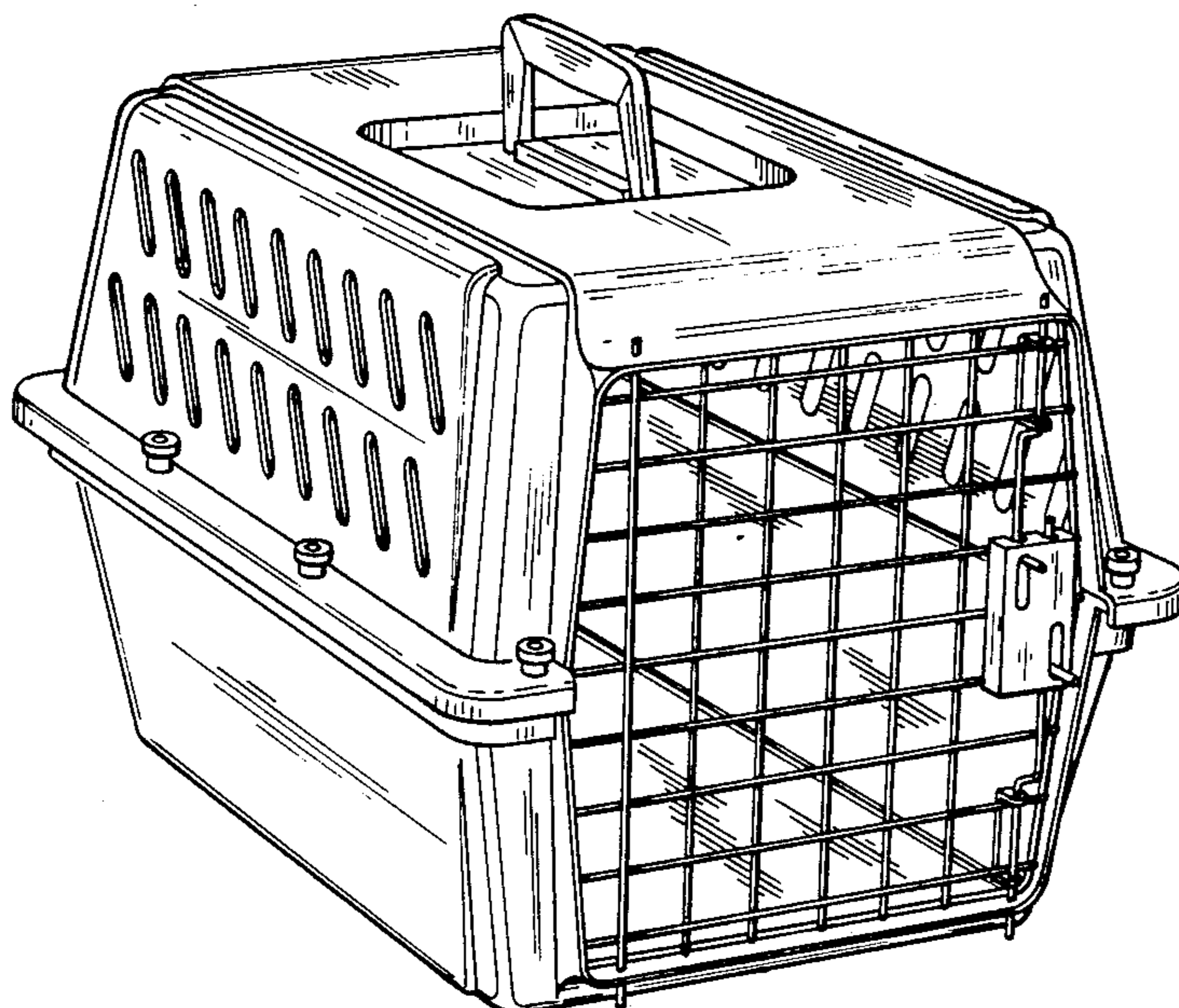
### [56] References Cited

#### U.S. PATENT DOCUMENTS

D. 214,566	7/1969	Swinney .....	D30/109
D. 220,961	6/1971	Ringelman .....	D30/109
D. 227,126	6/1973	Brison .....	D30/109
2,538,778	1/1951	Halpin .....	119/19
2,790,414	4/1957	Rossow .....	119/19
3,710,761	1/1973	Gregory .....	119/19
4,246,056	3/1981	Sou .....	119/19

### DESCRIPTION

FIG. 1 is a perspective view taken from the top and left side of a portable pet kennel showing my new design; FIG. 2 is a left side elevational view thereof; FIG. 3 is a front elevational view thereof; FIG. 4 is a rear elevational view thereof; FIG. 5 is a right side elevational view thereof; FIG. 6 is a top plan view thereof; and FIG. 7 is a bottom plan view thereof.



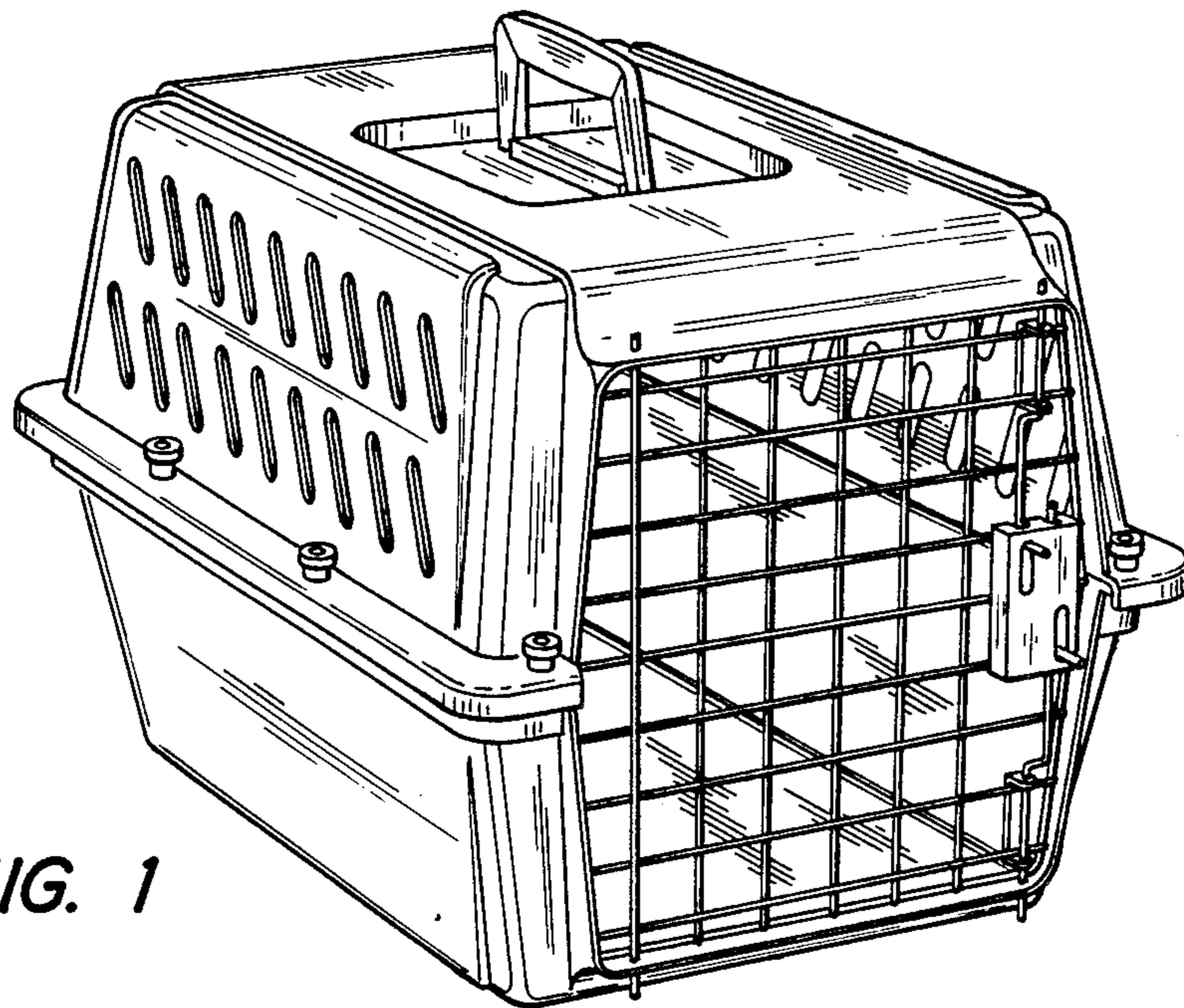


FIG. 1

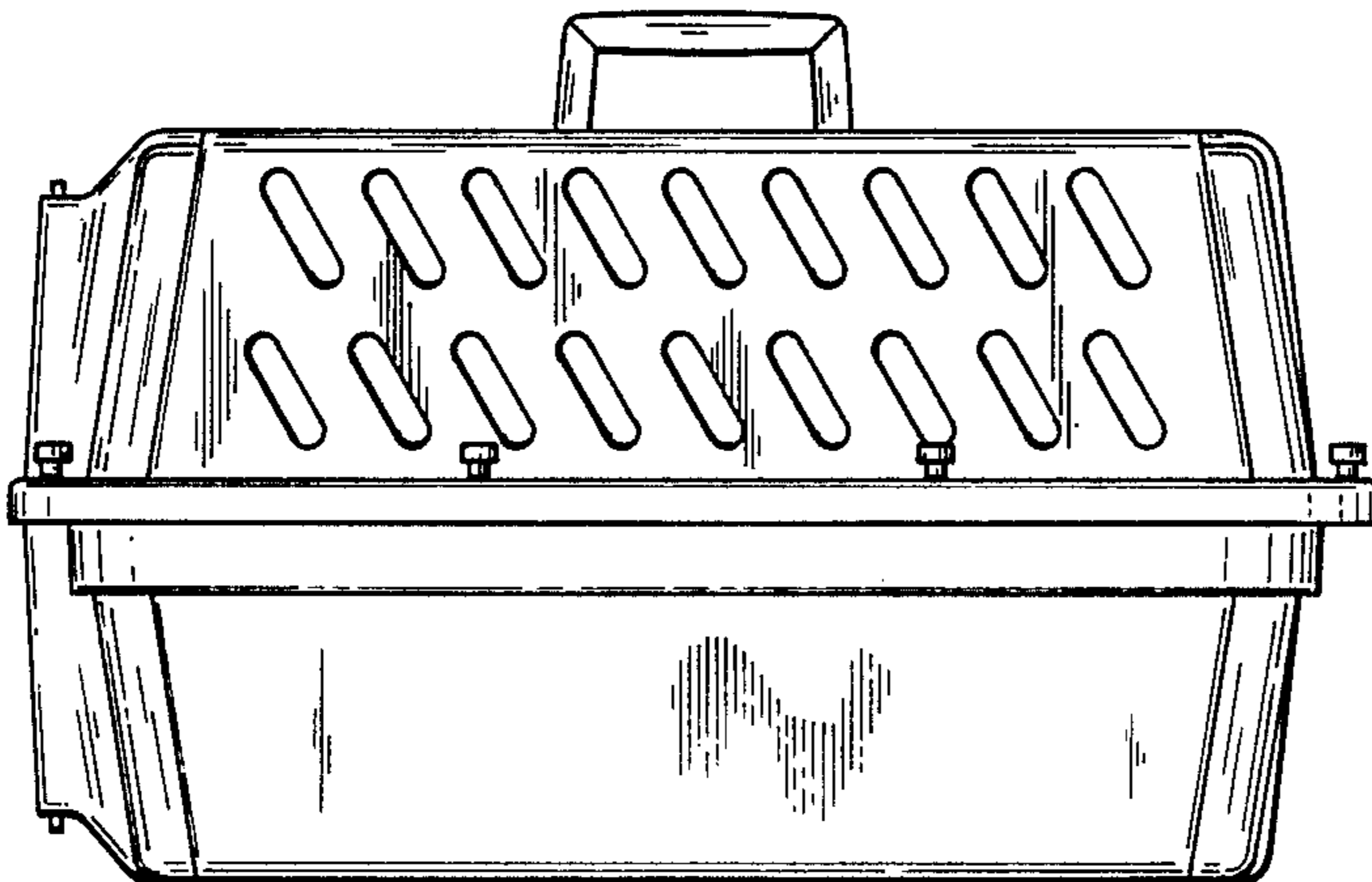


FIG. 2

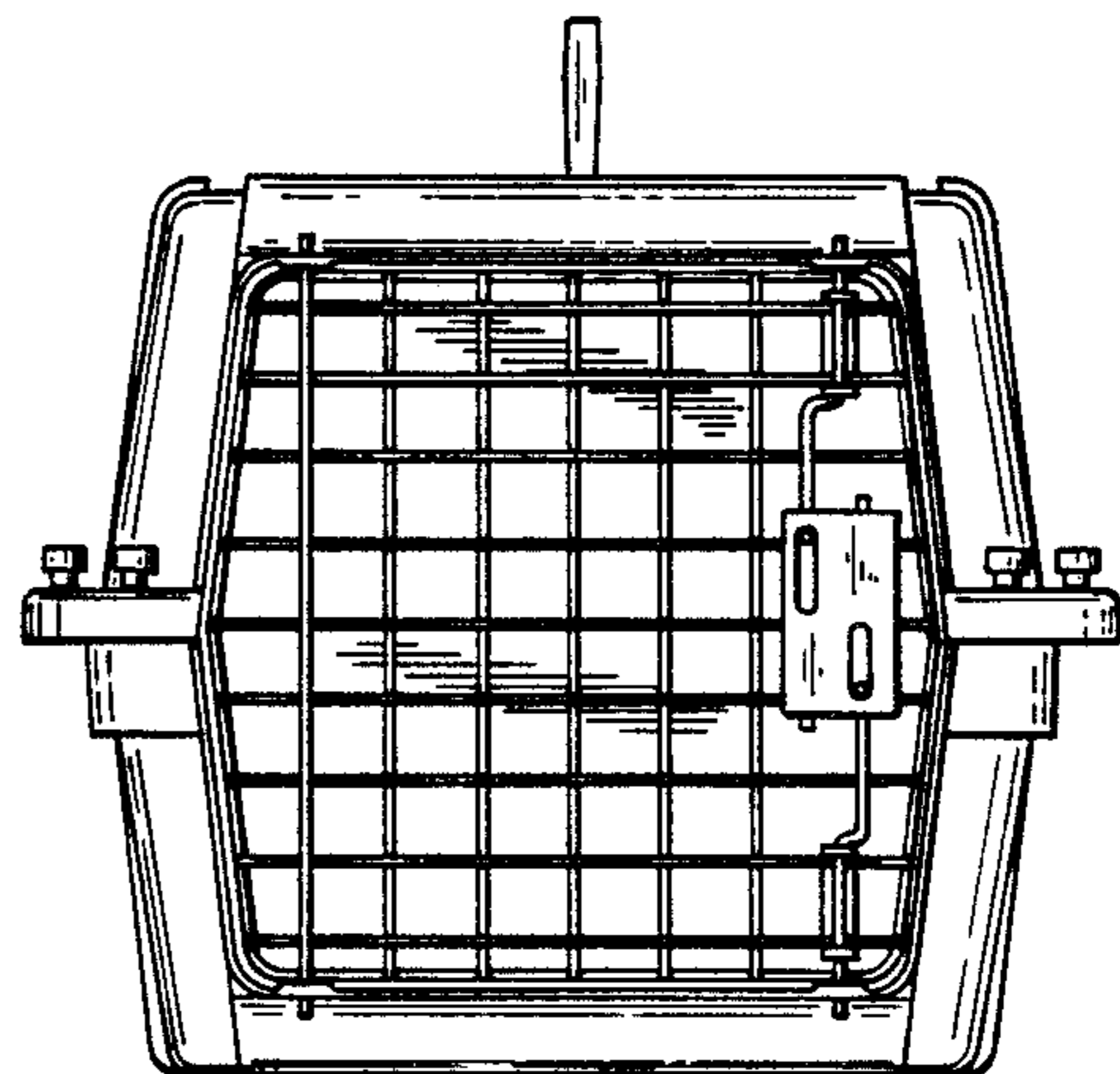


FIG. 3

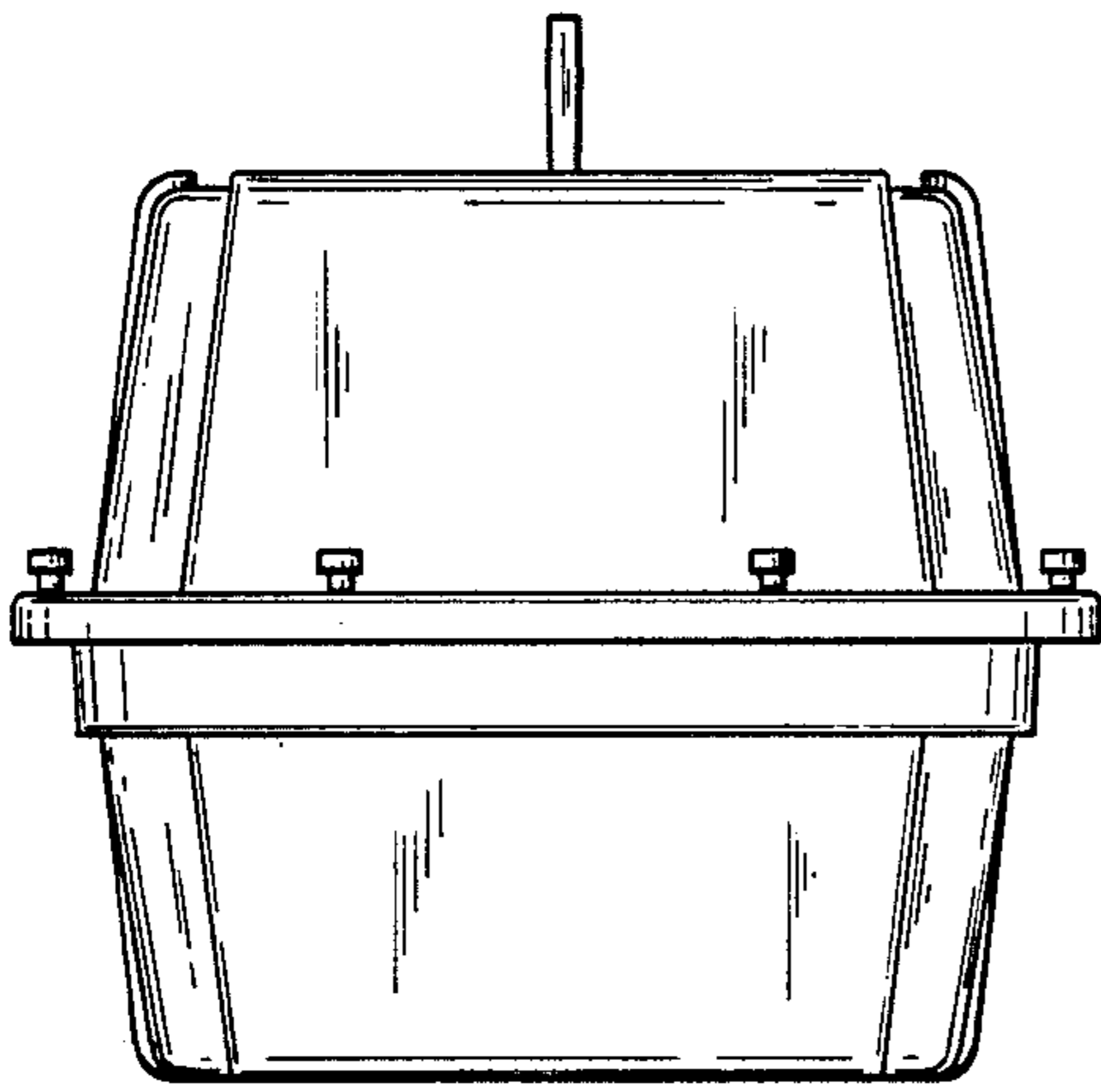


FIG. 4

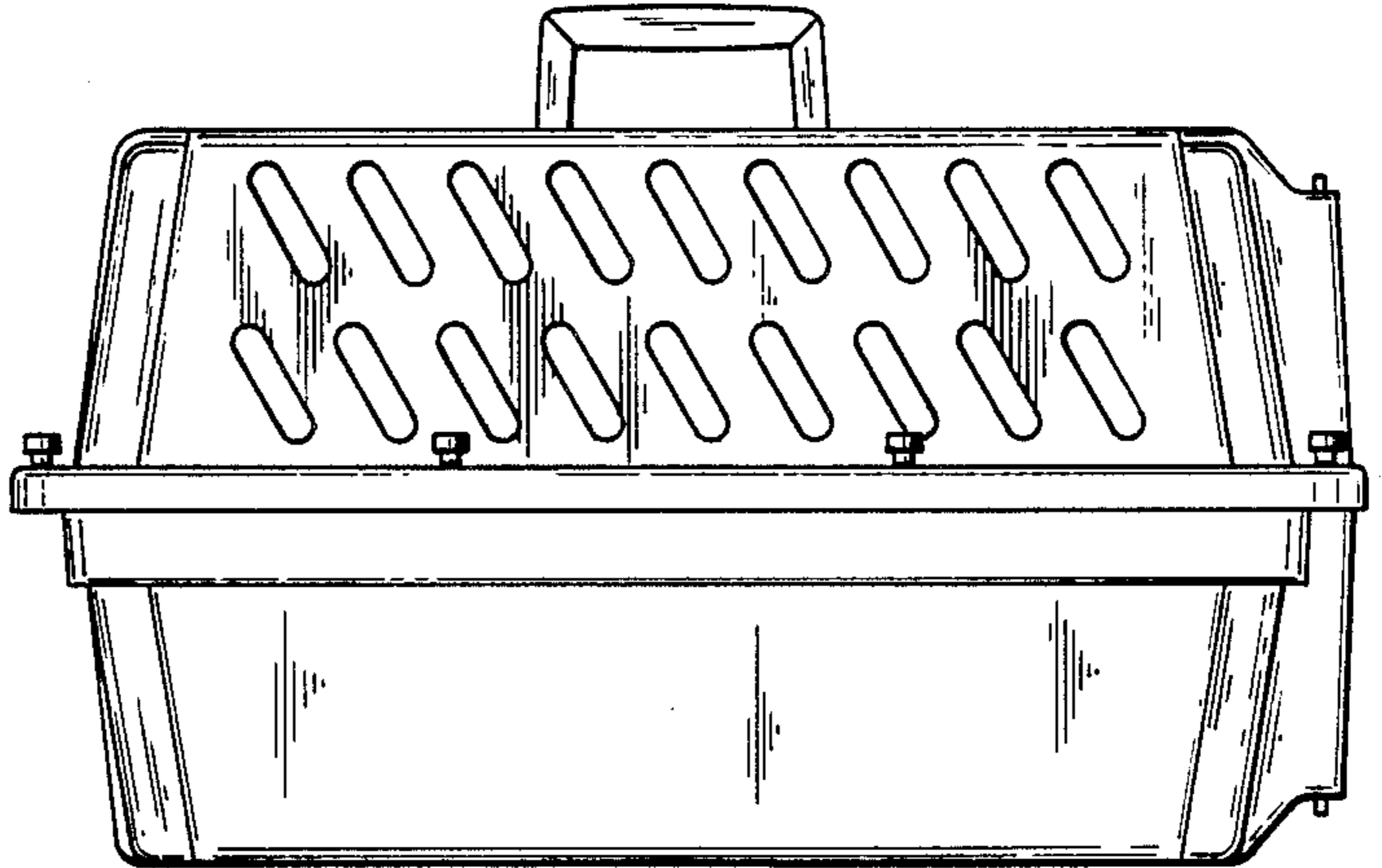


FIG. 5

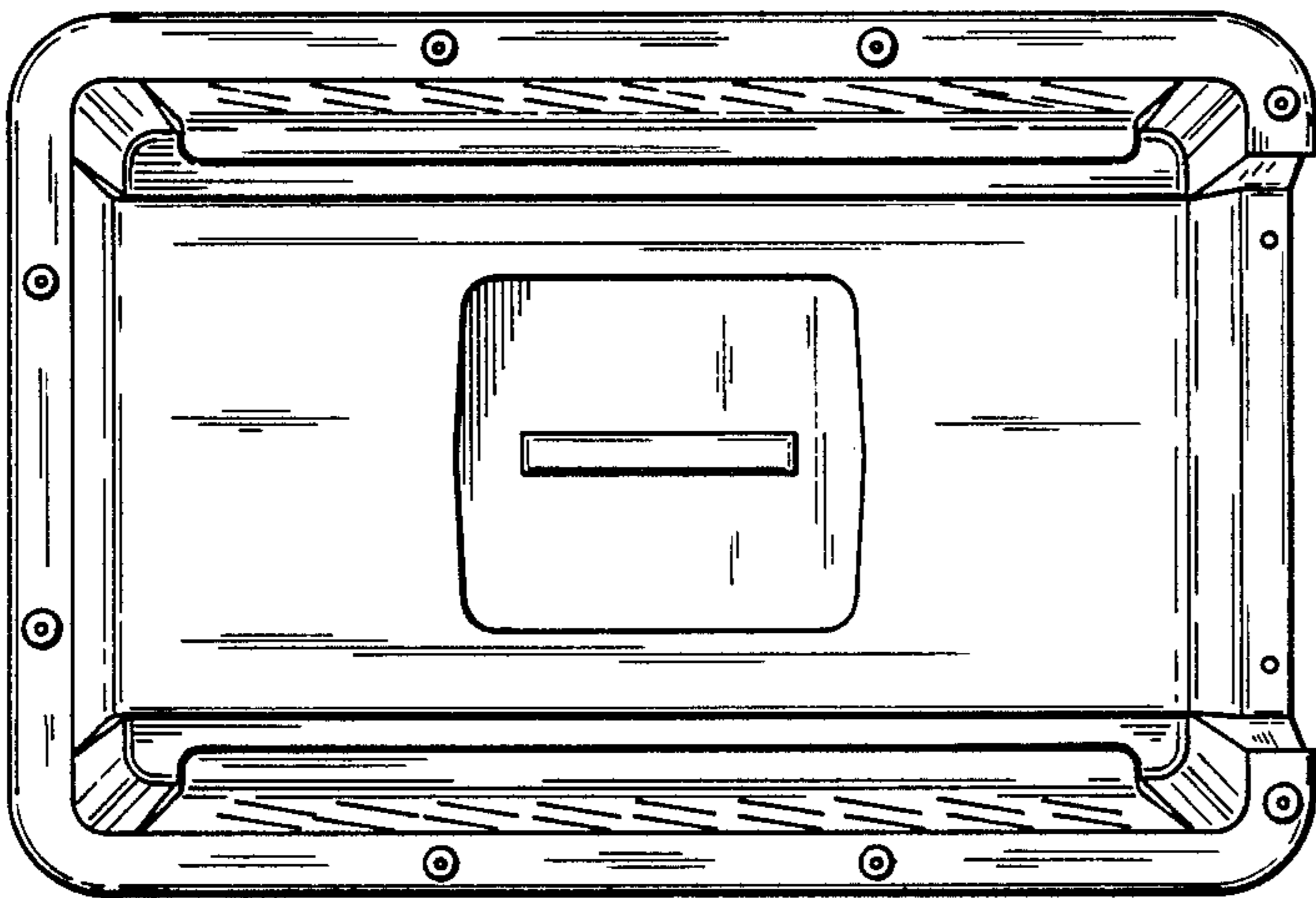


FIG. 6

FIG. 7

