

[54] **MOUTHPIECE FOR RESUSCITATION**  
 [75] **Inventor: Philip Jackson, Coal Aston, England**  
 [73] **Assignees: Mark Weston, Hathersage; Polyplas Ltd., Sheffield, both of England**  
 [\*\*] **Term: 14 Years**  
 [21] **Appl. No.: 117,142**  
 [22] **Filed: Nov. 4, 1987**  
 [30] **Foreign Application Priority Data**  
 May 6, 1987 [GB] United Kingdom ..... 1041988  
 [52] **U.S. Cl. .... D29/7**  
 [58] **Field of Search .... D29/6-9;**  
 128/201.11, 202.28, 207.14, 725, 727, 145.5,  
 206.24; D24/34, 17

3,948,255 4/1976 Davidson ..... 128/202.28  
 4,222,378 9/1980 Mahoney ..... 128/206.24  
 4,360,017 11/1982 Barlett ..... 128/202.28  
 4,559,940 12/1985 McGinnis ..... 128/202.28

*Primary Examiner*—Wallace R. Burke  
*Assistant Examiner*—Kay H. Chin  
*Attorney, Agent, or Firm*—Henry Sternberg; Bert L. Lewen

[57] **CLAIM**

The ornamental design for a mouthpiece for resuscitation, as shown and described.

**DESCRIPTION**

FIG. 1 is a bottom plan view of a mouthpiece for resuscitation showing my new design;  
 FIG. 2 is a side elevational view thereof, the opposite side elevational view being a mirror image of that shown;  
 FIG. 3 is a top plan view thereof;  
 FIG. 4 is an end elevational view thereof, the opposite end elevational view being a mirror image of that shown;  
 FIG. 5 is an enlarged sectional view taken along the line 5—5 of FIG. 3; and  
 FIG. 6 is an enlarged sectional view taken along the line 6—6 of FIG. 3.

[56] **References Cited**  
**U.S. PATENT DOCUMENTS**  
 D. 263,166 2/1982 Bushman ..... D29/7  
 3,137,293 6/1964 Green ..... D29/7  
 3,291,121 12/1966 Vizneau ..... D29/7  
 3,303,845 2/1967 Detmer, II ..... D29/7  
 3,508,543 4/1970 Aulicono ..... 128/207.18  
 3,802,428 4/1974 Sherman ..... 128/202.28

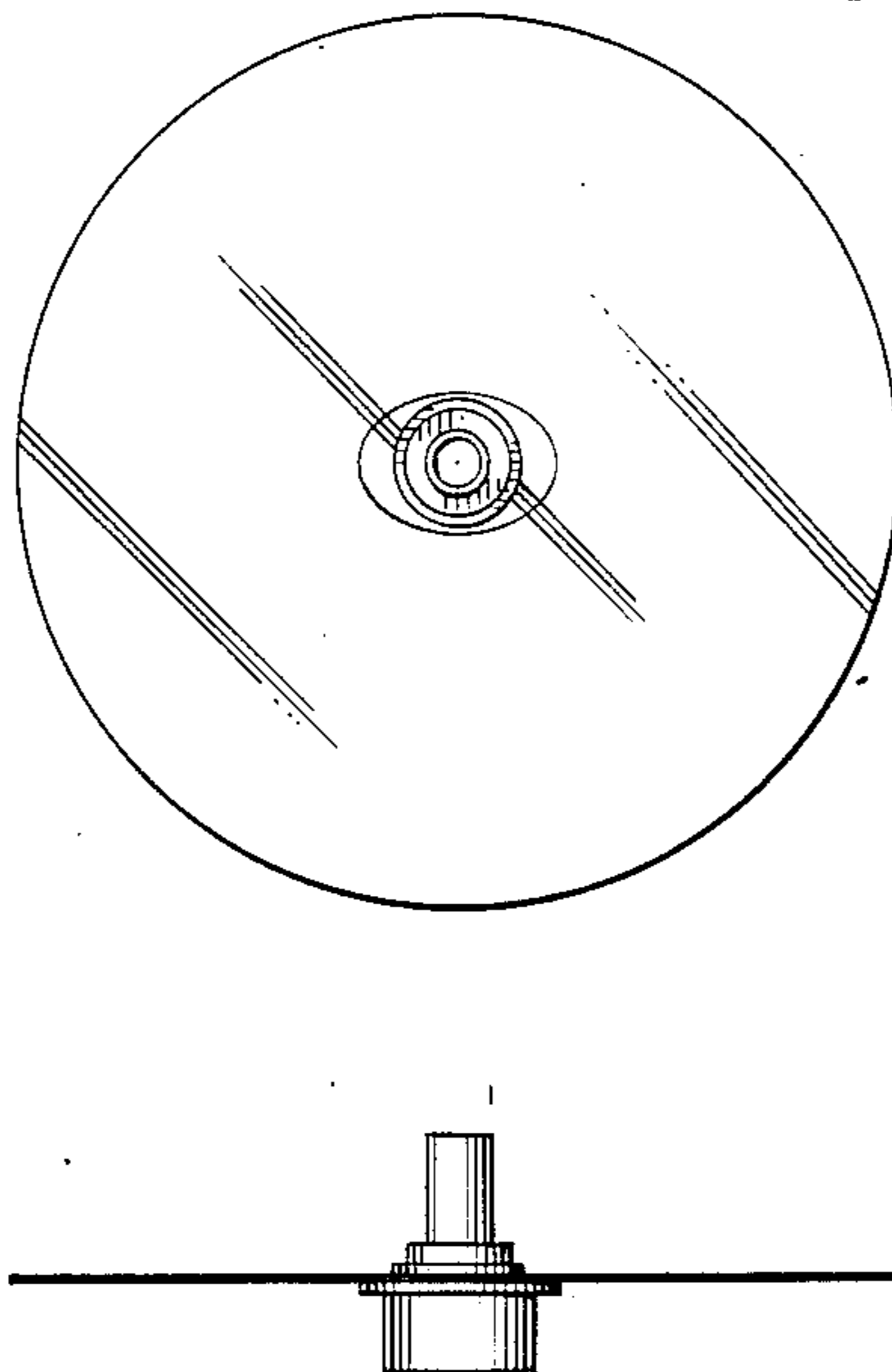


Fig. 1.

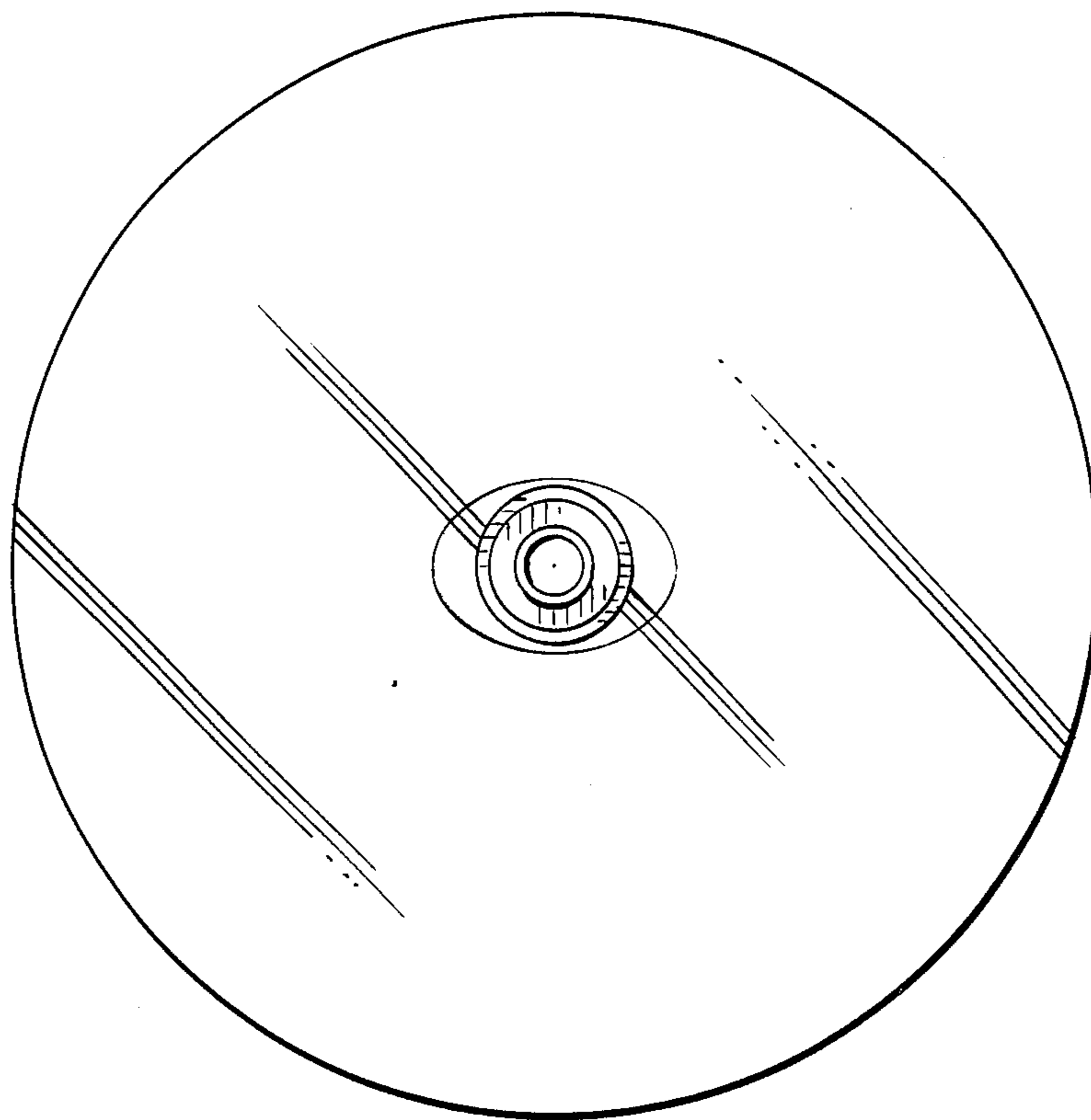


Fig. 2.

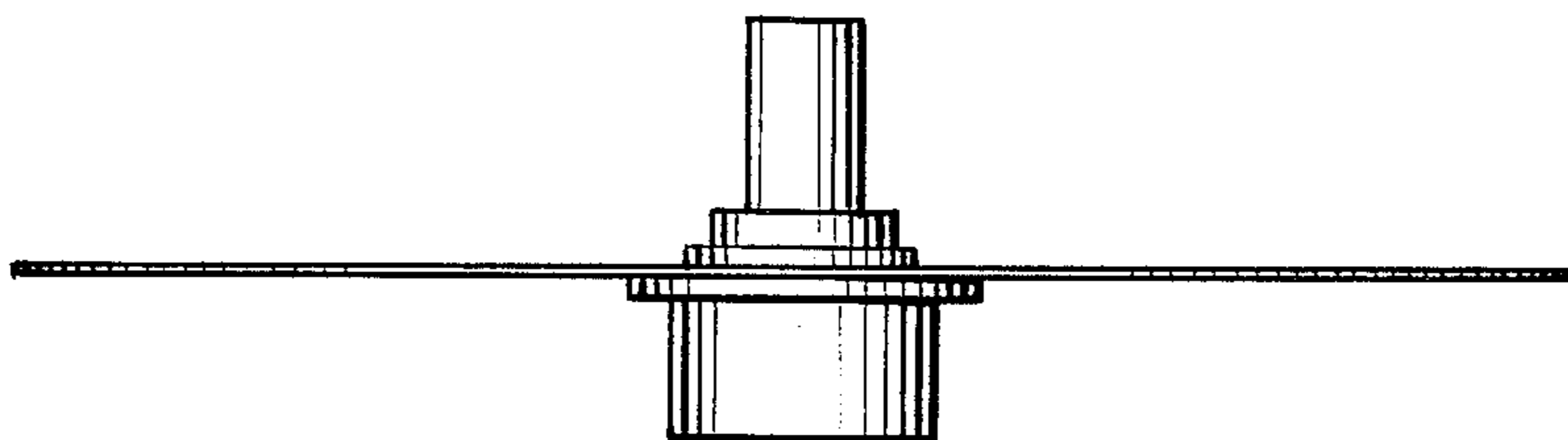


Fig. 3.

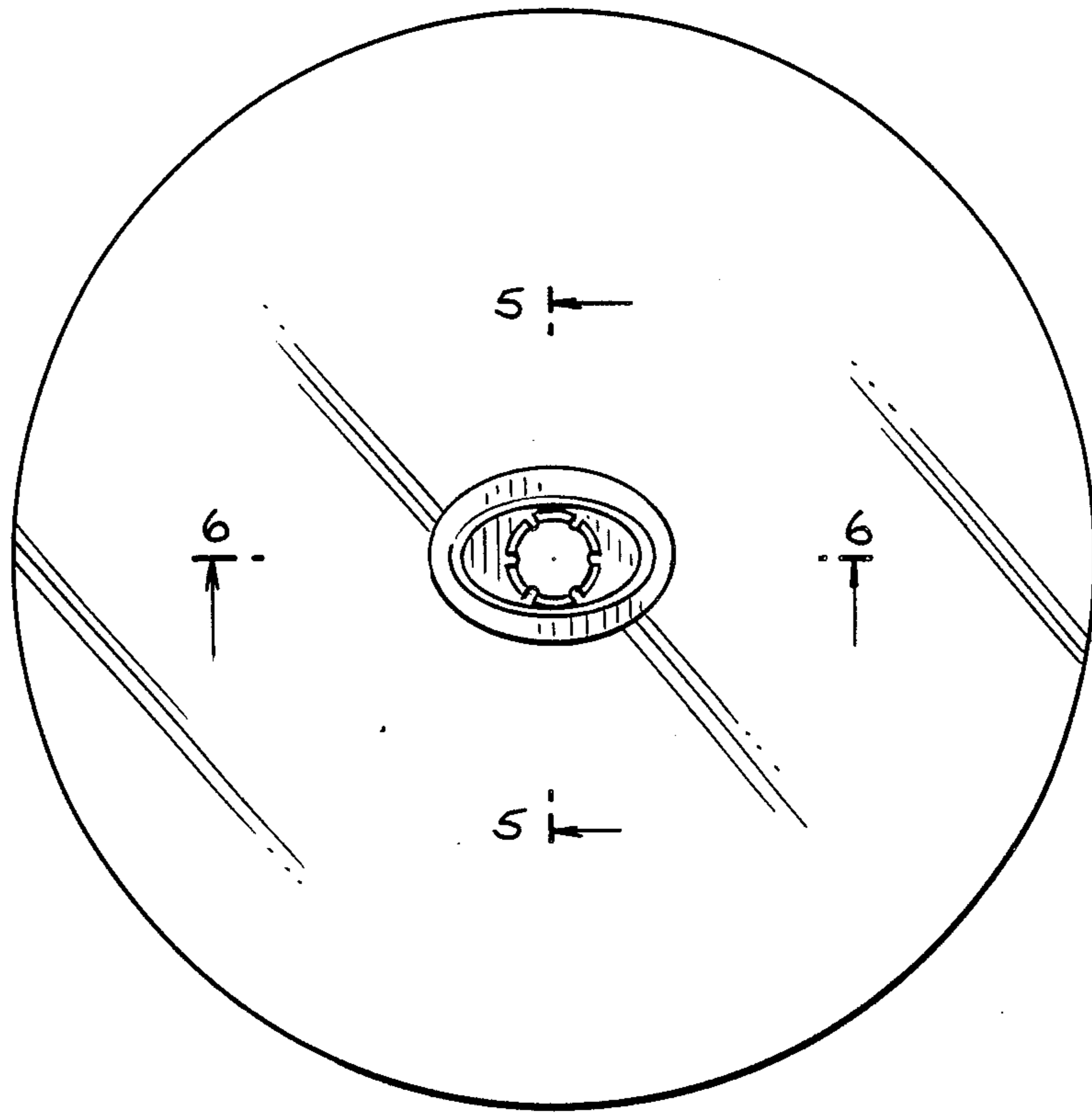


Fig. 4.

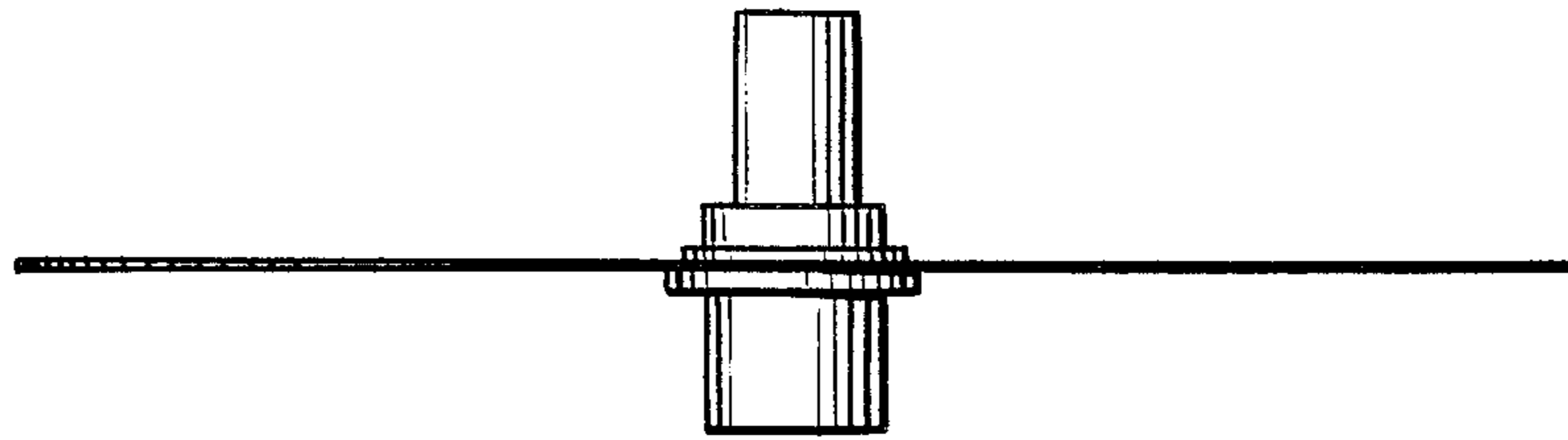


FIG. 5.

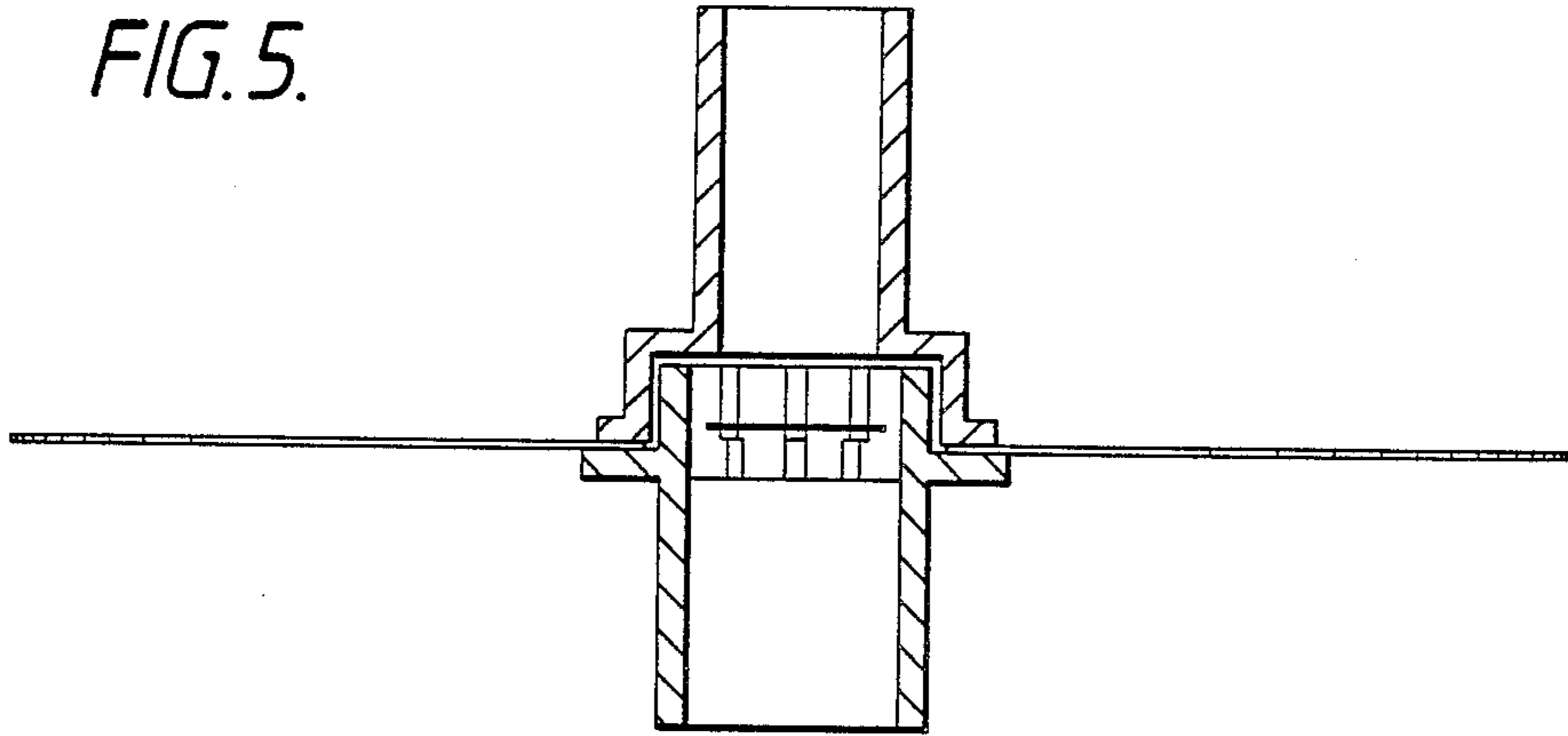


FIG. 6.

