

[54] **COMPACT GROOMING KIT**

[75] Inventors: **Barry Brinker; John E. Busse**, both of Cincinnati, Ohio

[73] Assignee: **'totes', incorporated**, Loveland, Ohio

[\*\*] Term: **14 Years**

[21] Appl. No.: **280,736**

[22] Filed: **Dec. 6, 1988**

[52] U.S. Cl. .... **D28/25**

[58] Field of Search ..... **D28/9-10, D28/21, 23, 25, 30, 56, 57, 59, 64.3, 73, 74, 77, 83; D3/38, 30.1; D4/116-118, 137; 206/37 R, 38, 235, 581, 823; 132/101-104, 148, 120, 121, 73.5, 75, 75.3, 75.6, 76.2, 76.4, 76.5, 286-316**

4,009,725 3/1977 Stuart ..... 132/103 X  
 4,513,842 7/1985 Karlsberg ..... 132/149

*Primary Examiner*—Bernard Ansher  
*Assistant Examiner*—C. Tuttle  
*Attorney, Agent, or Firm*—Wood, Herron & Evans

[57] **CLAIM**

The ornamental design for a compact grooming kit, as shown and described.

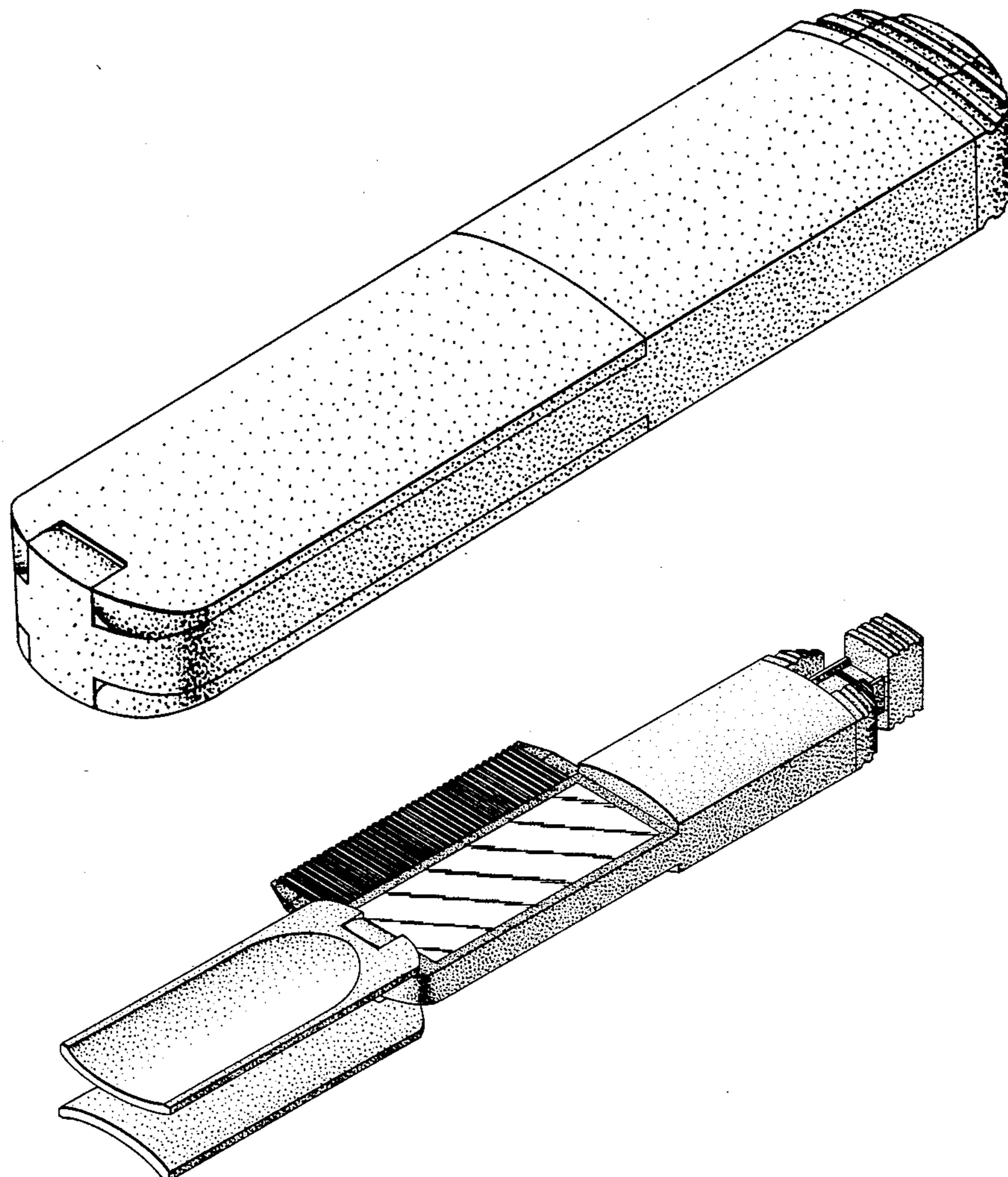
**DESCRIPTION**

FIG. 1 is a top, front perspective view of a compact grooming kit showing out new design;  
 FIG. 2 is a top plan view thereof;  
 FIG. 3 is a front elevational view thereof;  
 FIG. 4 is a rear elevational view thereof;  
 FIG. 5 is a left end elevational view thereof;  
 FIG. 6 is a right end elevational view thereof;  
 FIG. 7 is a top perspective view thereof, in an open position;  
 FIG. 8 is a top plan view thereof;  
 FIG. 9 is a bottom plan view thereof;  
 FIG. 10 is a front elevational view thereof;  
 FIG. 11 is a rear elevational view thereof;  
 FIG. 12 is a left end elevational view thereof; and  
 FIG. 13 is a right end elevational view thereof.

[56] **References Cited**

**U.S. PATENT DOCUMENTS**

D. 305,781	1/1990	Ukisu	.....	D28/25 X
940,532	11/1909	Jacobs	.....	132/102
982,201	1/1911	Cowing	.....	132/76.2 X
1,731,287	10/1929	Barnowitz	.....	132/76.2 X
1,868,985	7/1932	Lyon	.....	132/73.5
2,214,144	9/1940	Murgau	.....	132/317 X
3,586,010	6/1971	Cheshire et al.	.....	132/287
3,690,331	9/1972	Messer	.....	132/120



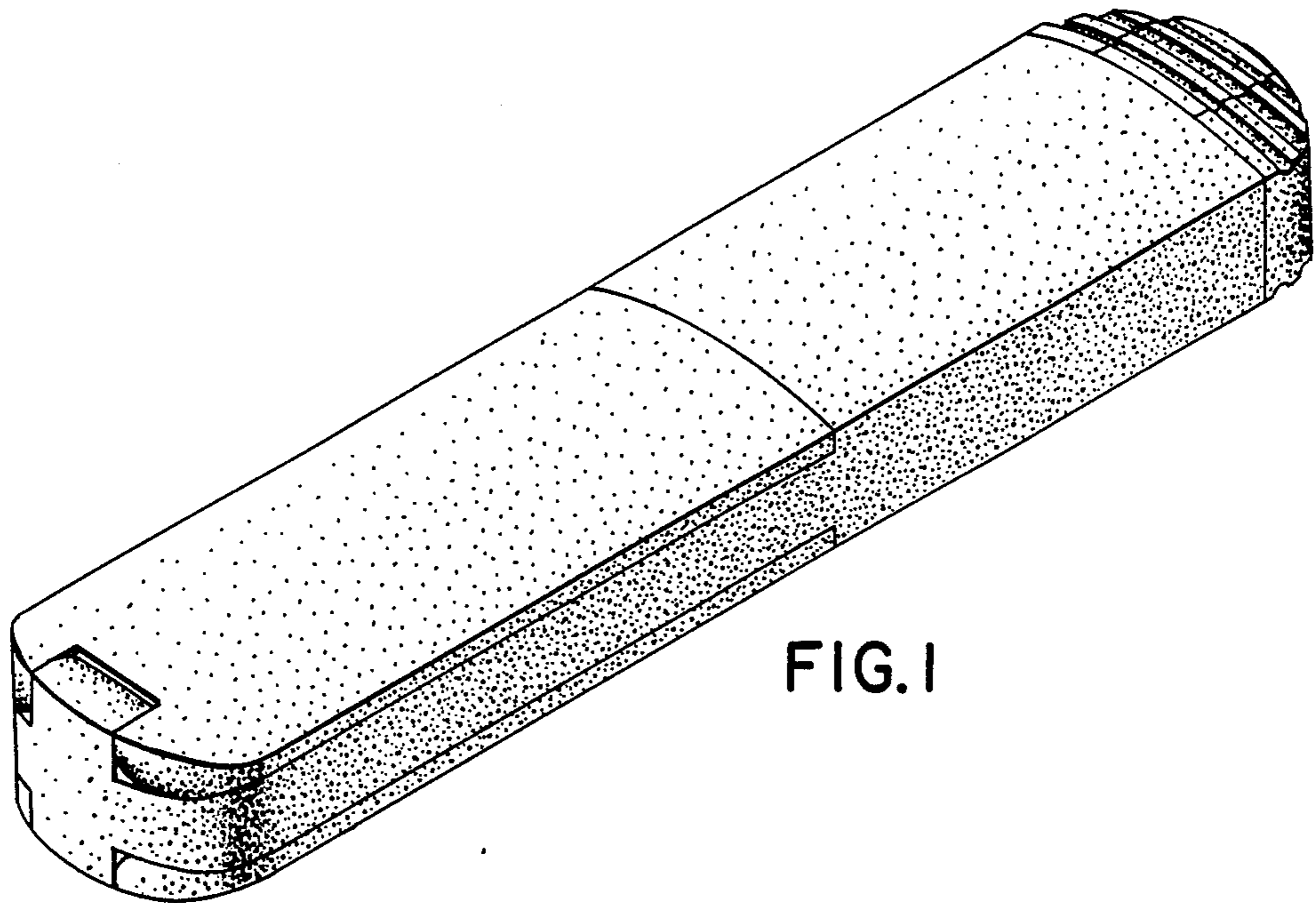


FIG. 1

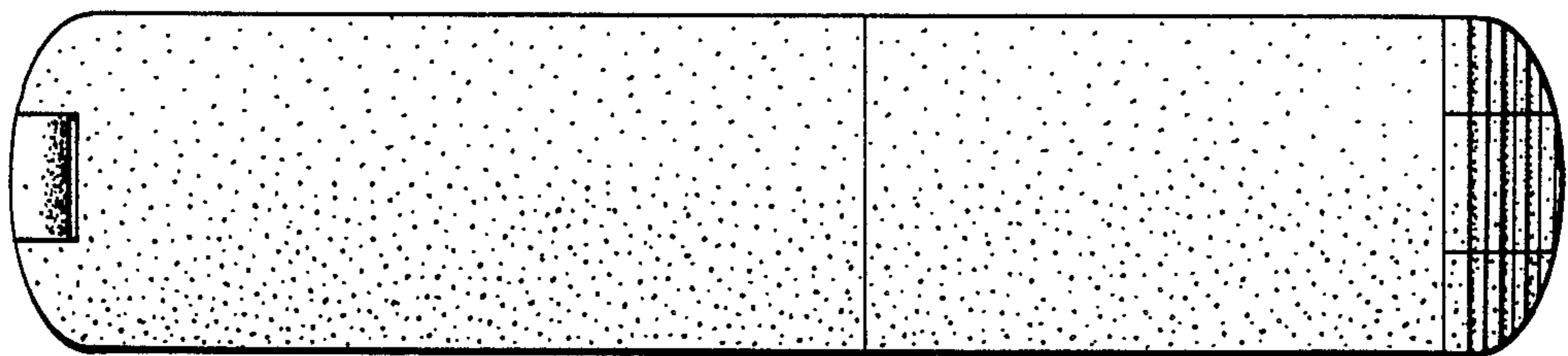


FIG. 2

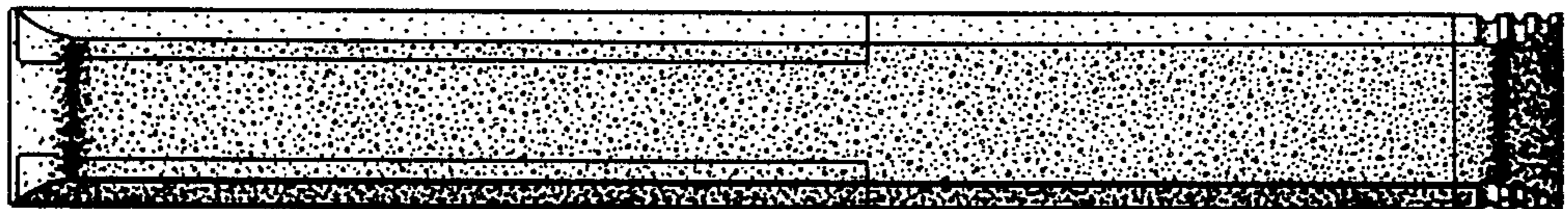


FIG. 3



FIG. 4

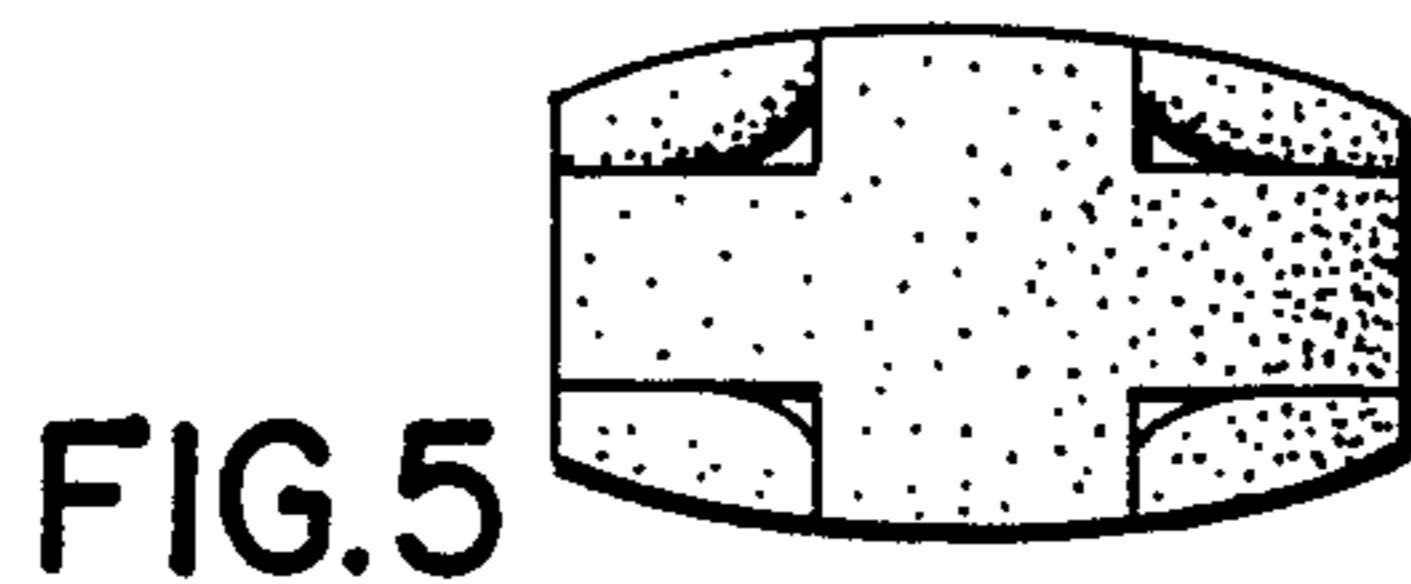


FIG. 5

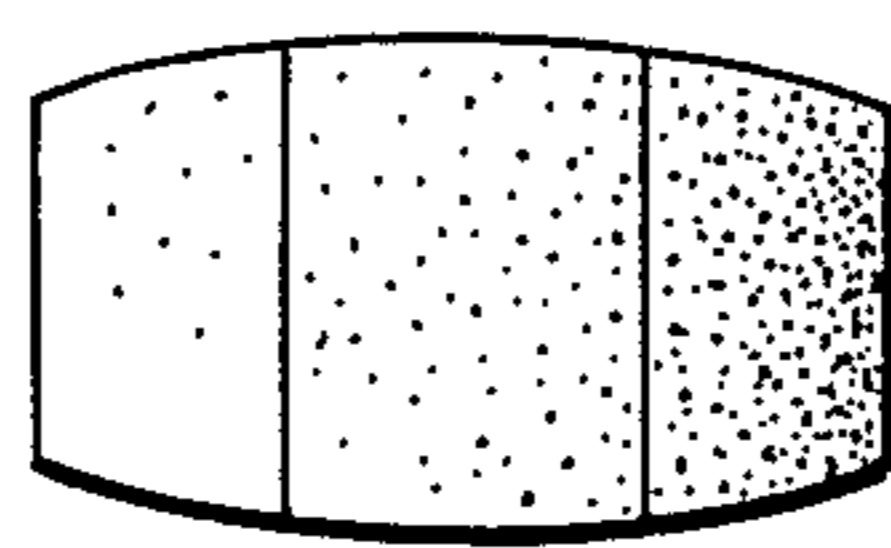


FIG. 6

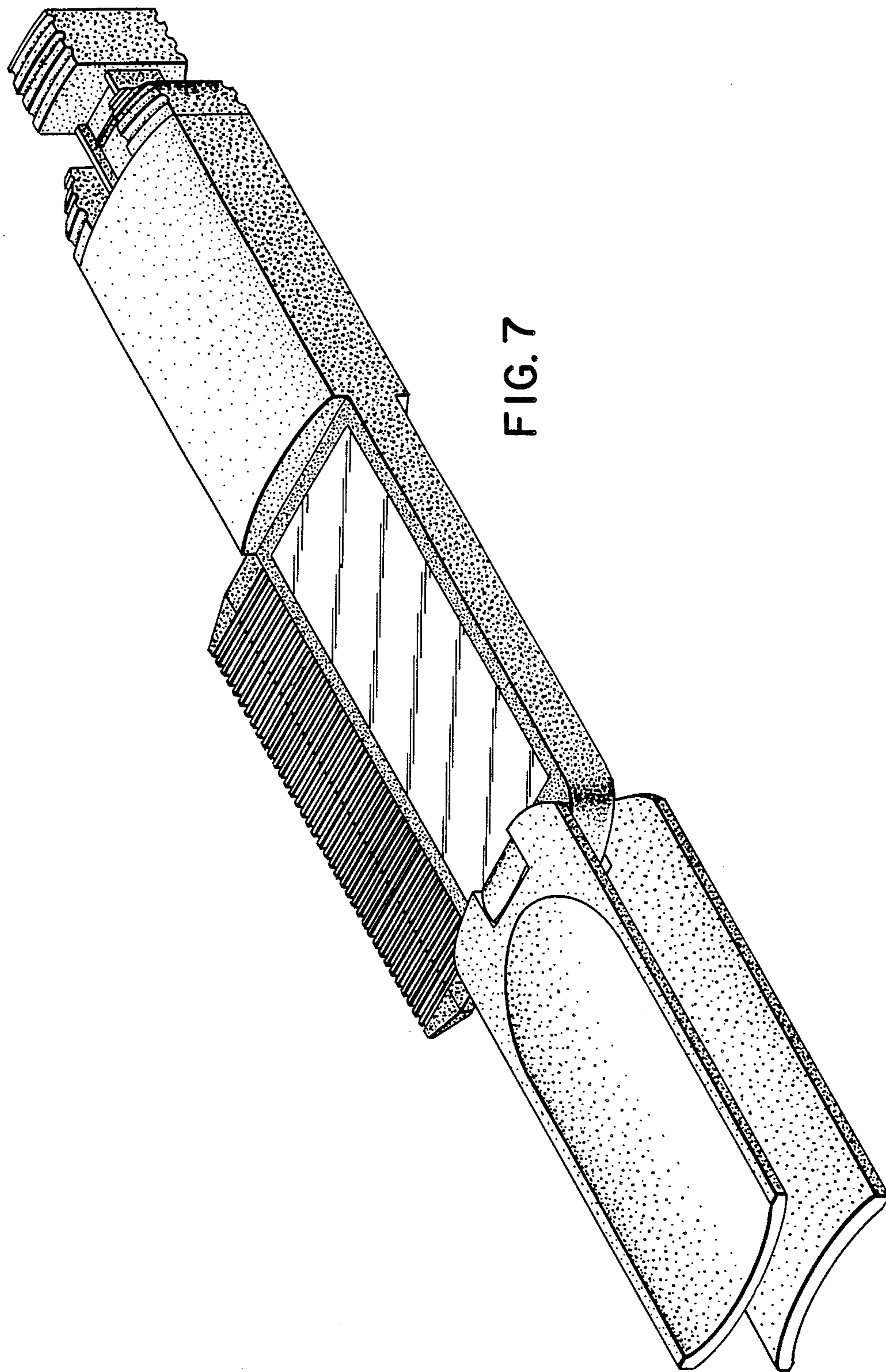
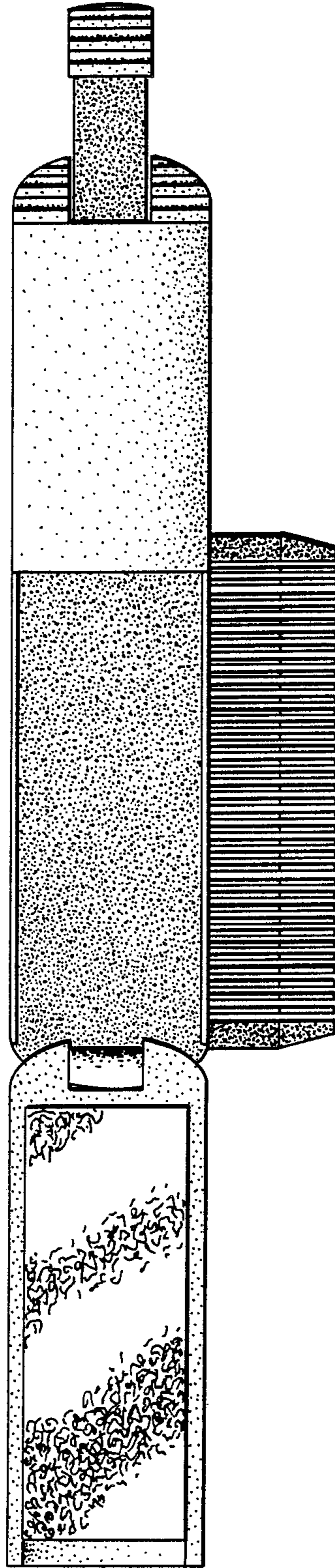
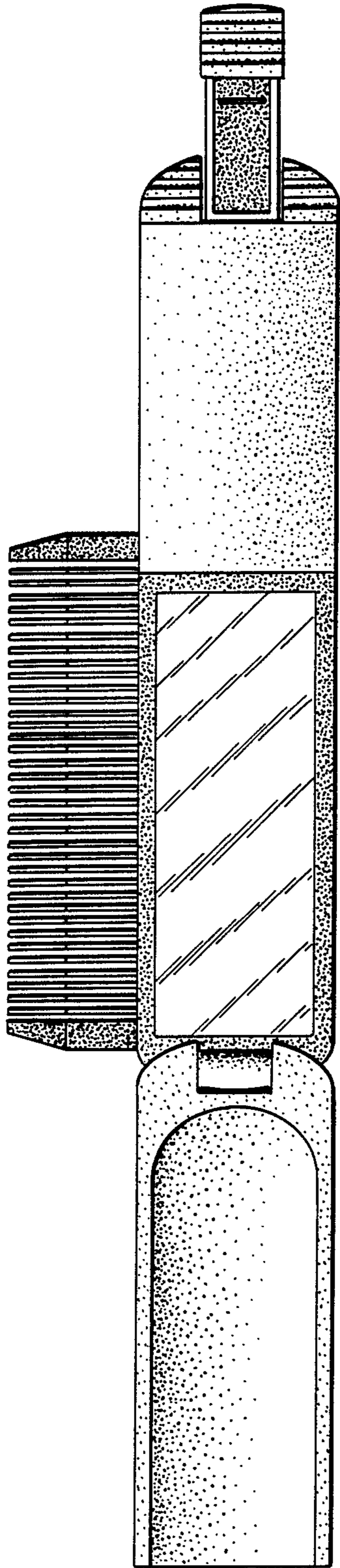


FIG. 7



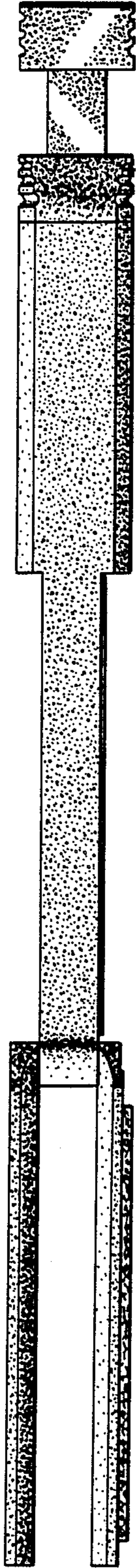


FIG. 10

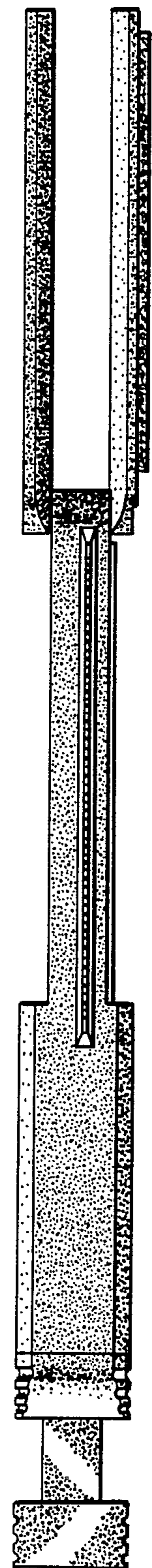


FIG. 11

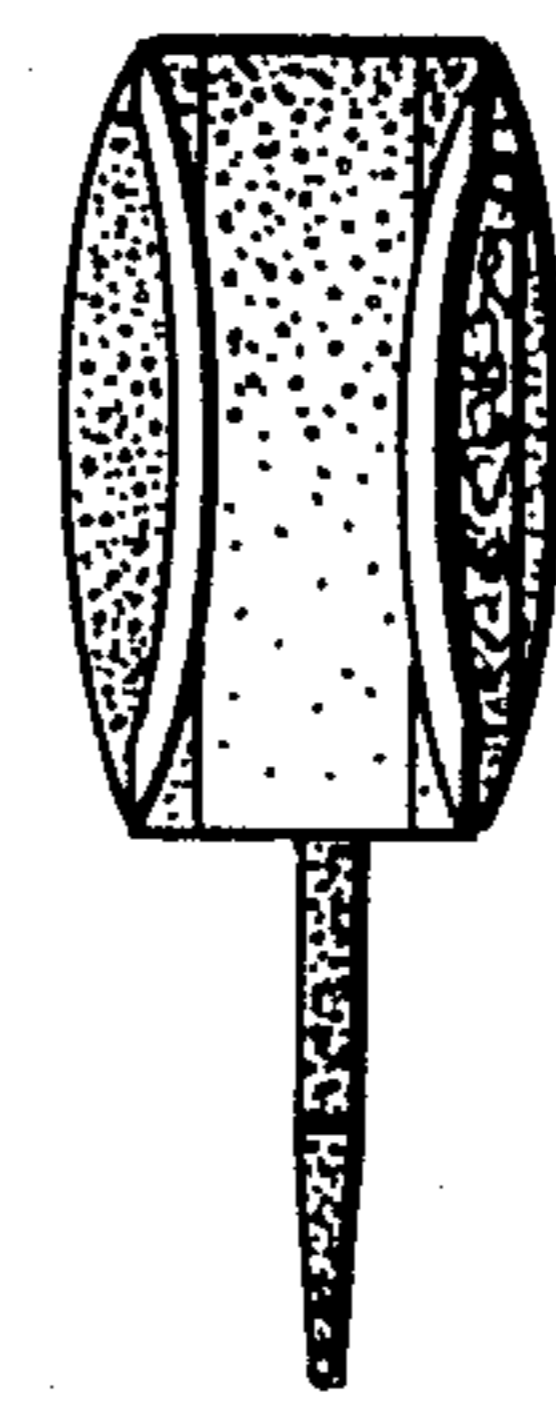


FIG. 12

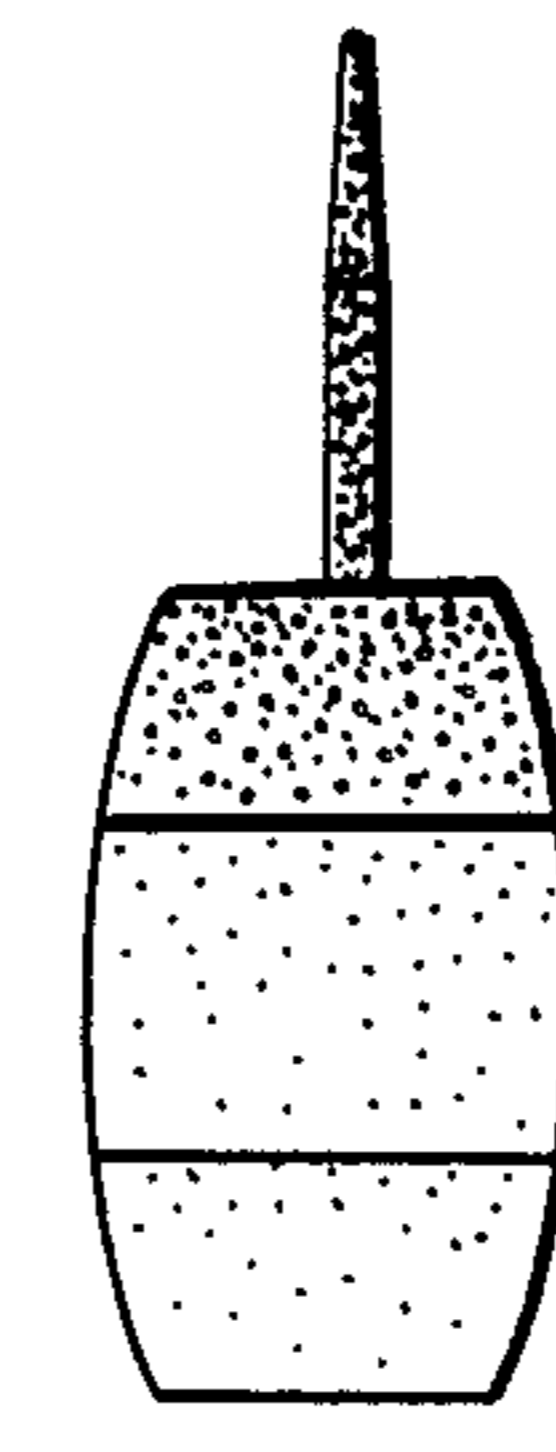


FIG. 13