

[54] **HAIR DRYER**

[75] **Inventor: Edward J. Doyle, Hatboro, Pa.**

[73] **Assignee: Conair Corporation, Stamford, Conn.**

[**] **Term: 14 Years**

[21] **Appl. No.: 215,882**

[22] **Filed: Jul. 5, 1988**

[52] **U.S. Cl. D28/13**

[58] **Field of Search D28/12-18;
132/212, 271-272; 219/222; 34/96-101**

[56] **References Cited**

U.S. PATENT DOCUMENTS

- D. 248,410 7/1978 Tomaro D28/18 X
- D. 254,565 3/1980 Brown D28/13 X
- D. 255,722 7/1980 Shin et al. D28/13

OTHER PUBLICATIONS

Merchandising Week 6/23/75, p. 13, "High-Style Pro Dryer 1200".

Retailing Home Furnishings 7/9/79 Sec. 2, p. 76: Welco 1200 Hair Dryer.

Merchandising Wk 1/83, p. 96: "Microturbo 1200 Hair Dryer".

Evans 1984-1985 Cat. p. 219: #6 at center of page.

Primary Examiner—Bernard Ansher

Assistant Examiner—C. Tuttle

Attorney, Agent, or Firm—Haynes N. Johnson

[57] **CLAIM**

The ornamental design for a hair dryer, as shown and described.

DESCRIPTION

FIG. 1 is a perspective view of a hair dryer showing my new design;

FIG. 2 is a left side elevational view thereof shown on an enlarged scale;

FIG. 3 is a bottom plan view thereof;

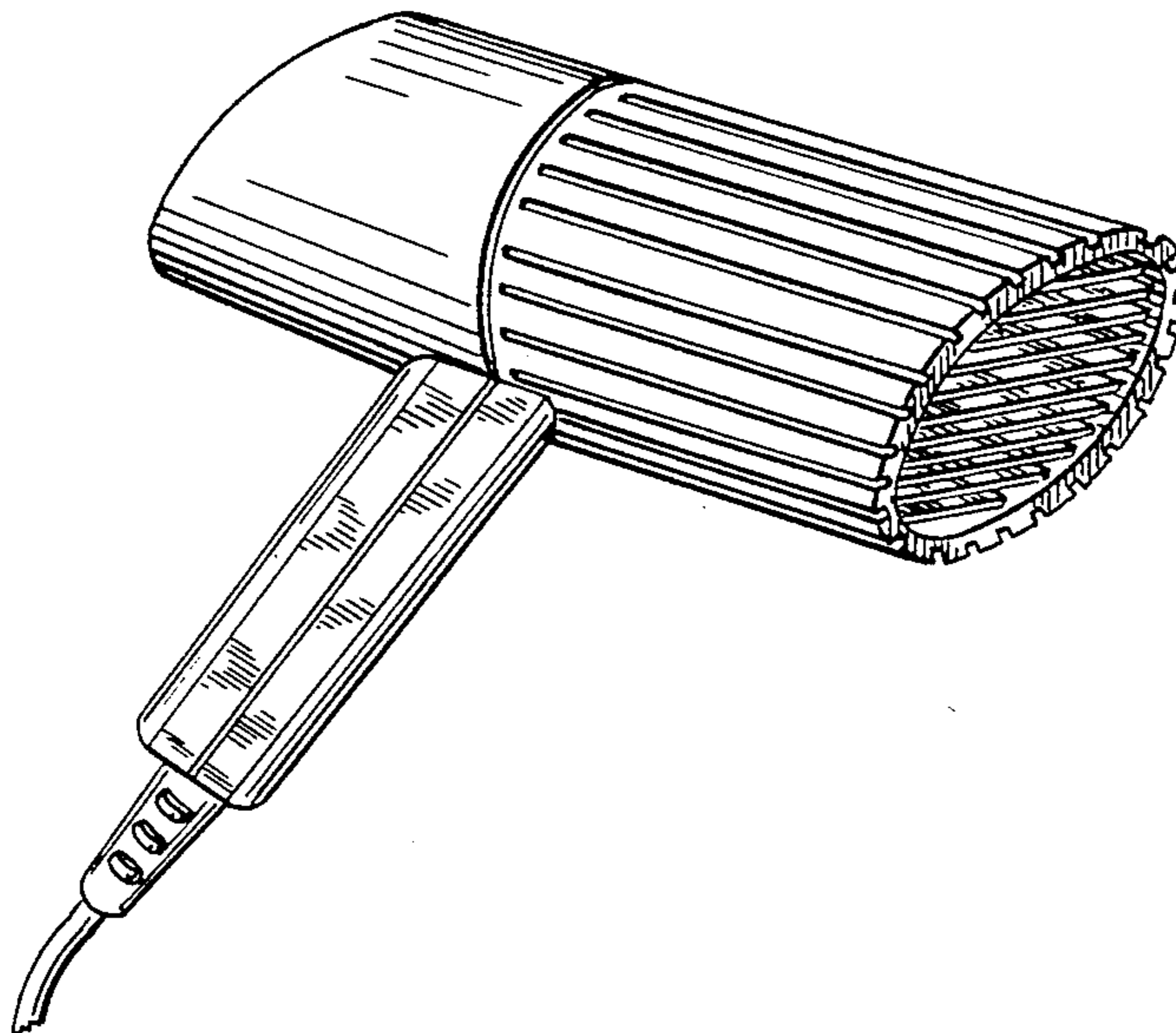
FIG. 4 is a top plan view thereof;

FIG. 5 is a rear elevational view thereof;

FIG. 6 is a right side elevational view thereof; and

FIG. 7 is a front elevational view thereof.

The cord portion of the design is shown broken away in FIGS. 1, 2, 3, 5, 6 and 7 for ease of illustration.



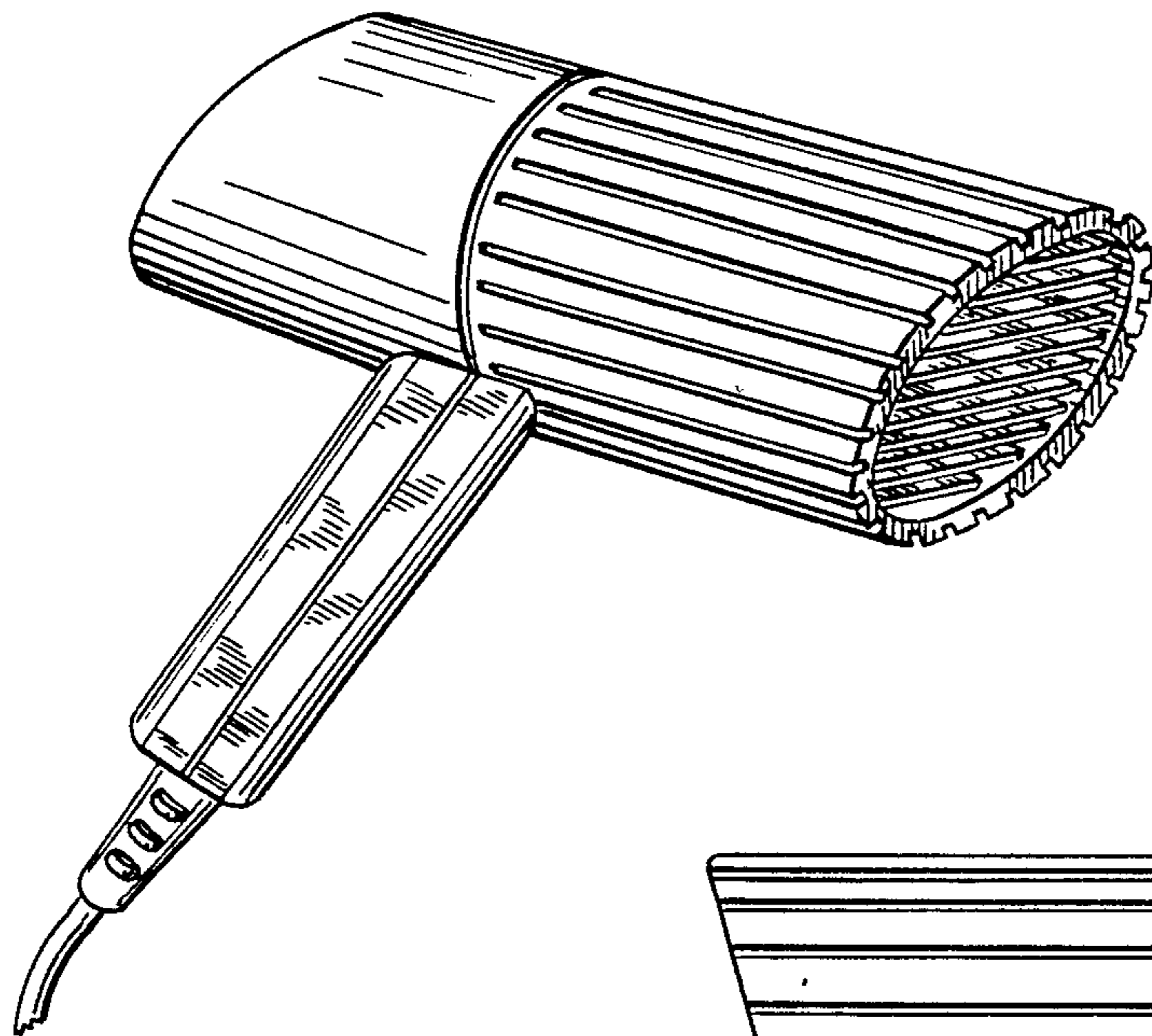


Fig. 1.

Fig. 2.

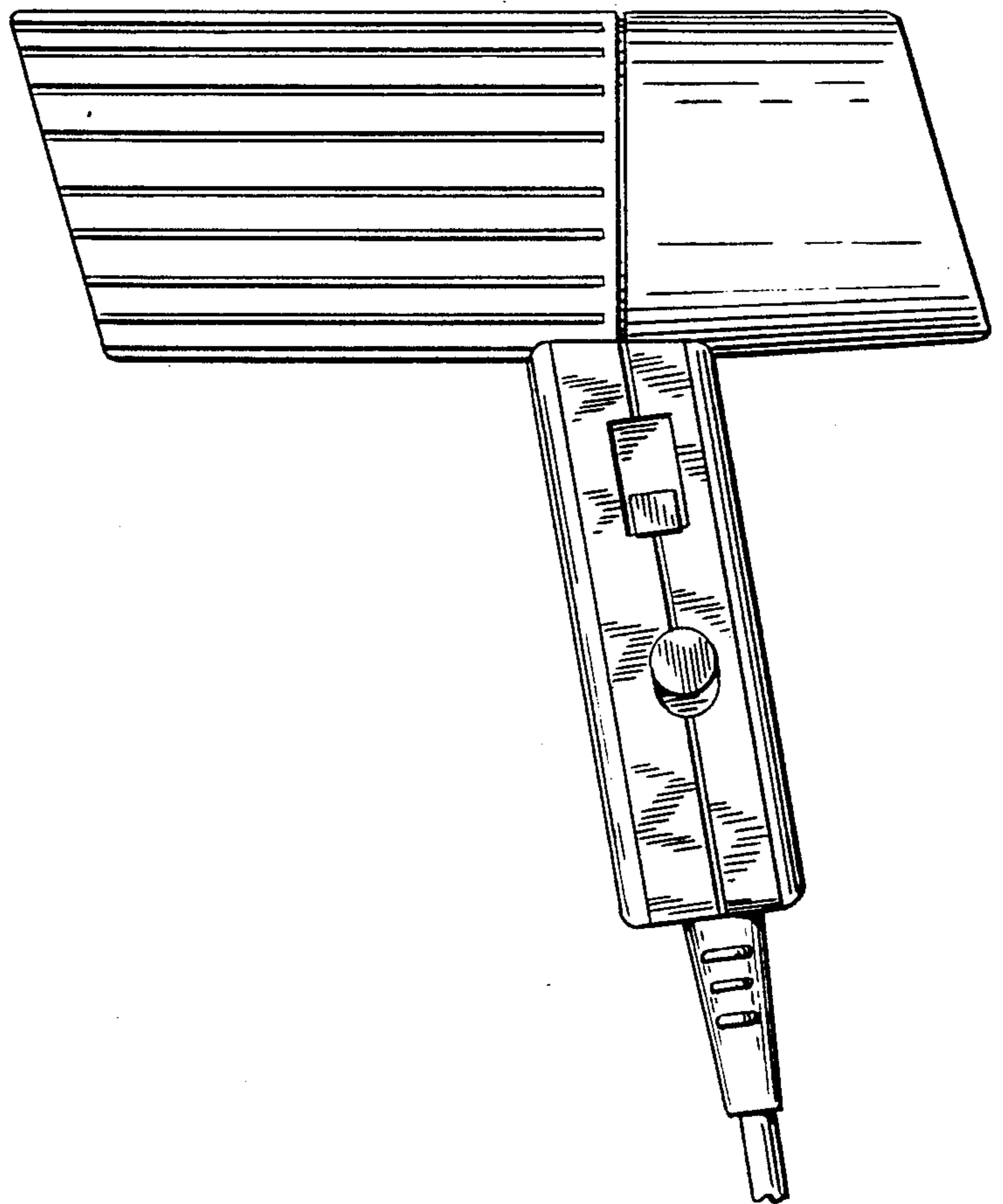


Fig. 3.

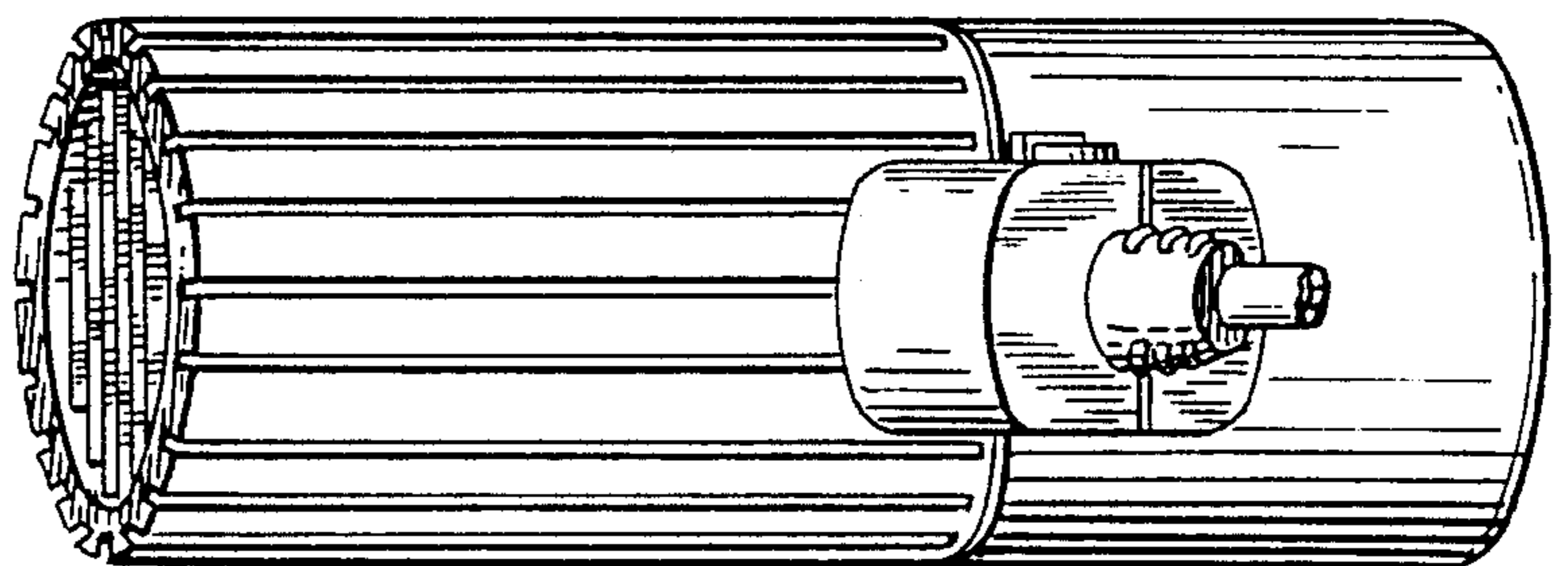


Fig. 7.

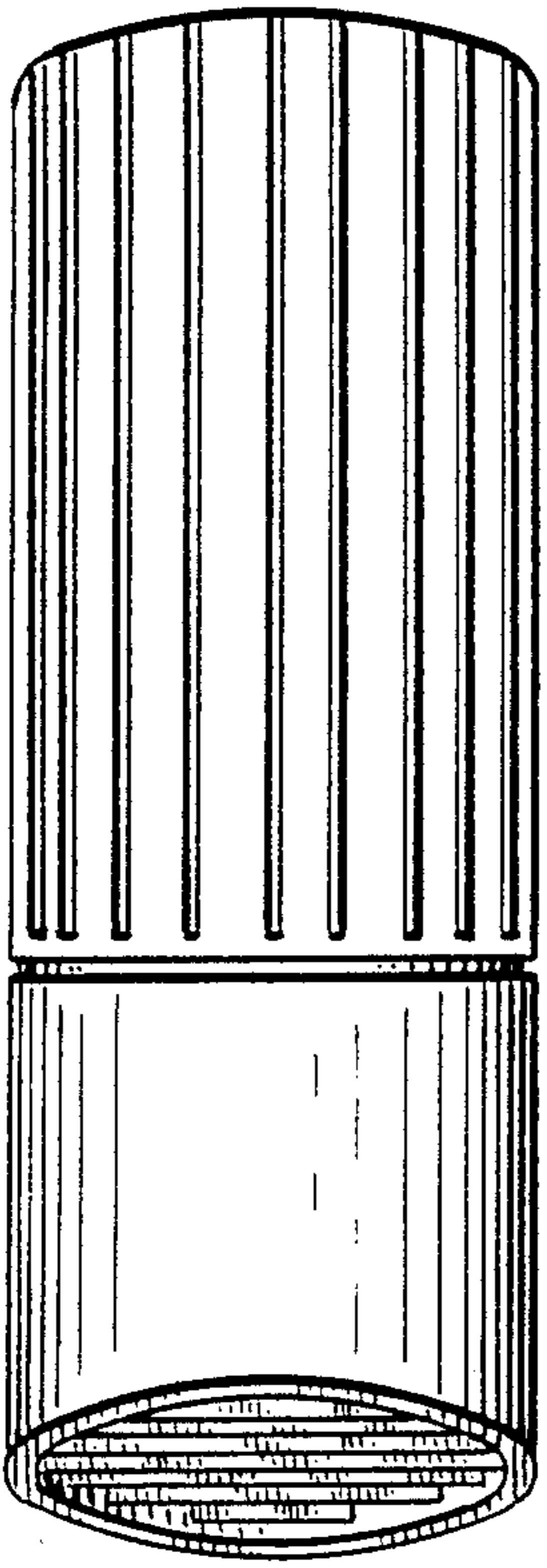
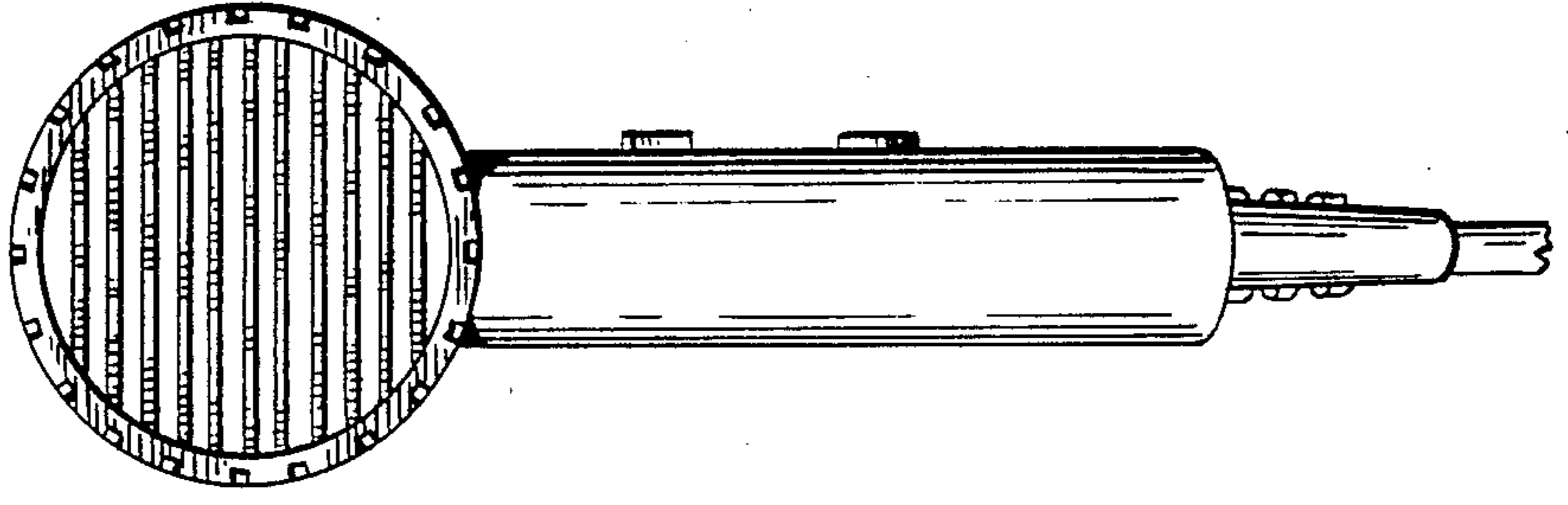


Fig. 4.

Fig. 5.

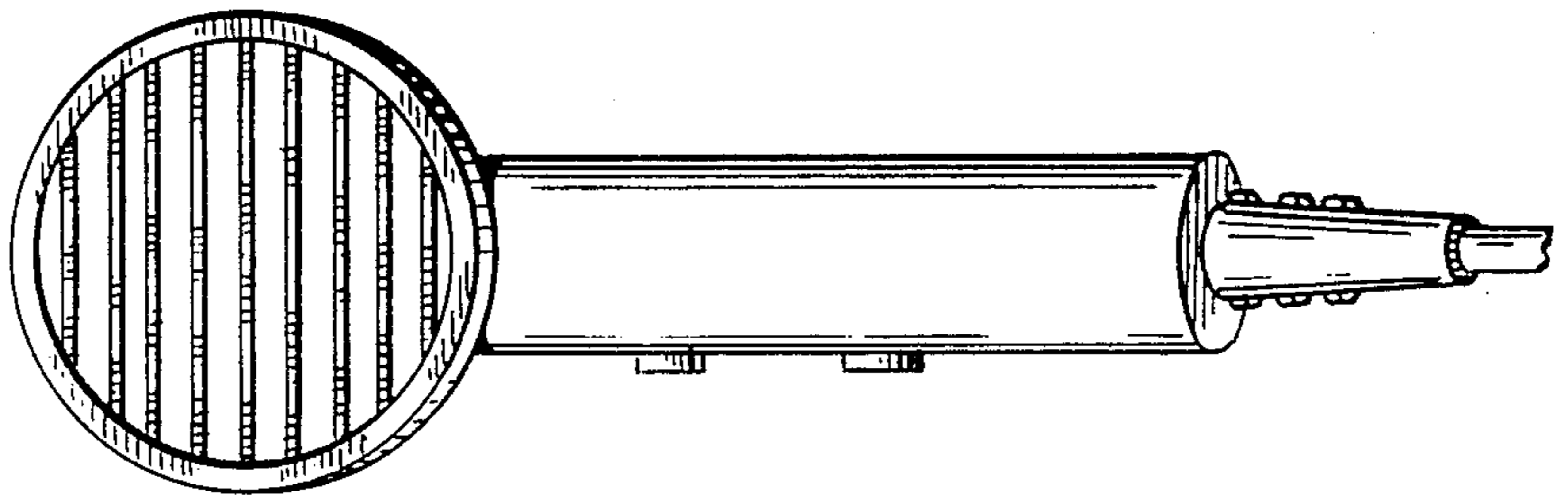


Fig. 6.

