

[54] LAMP SHADE

[75] Inventor: David Porter, Chargin Falls, Ohio

[73] Assignee: The L.D. Kichler Co., Cleveland, Ohio

[\*\*] Term: 14 Years

[21] Appl. No.: 505,547

[22] Filed: Apr. 6, 1990

[52] U.S. Cl. .... D26/136; D26/91

[58] Field of Search ..... D26/72, 80-92, D26/118, 128-137; 362/147, 432, 404-408, 360, 362, 363, 367; 806/351

[56] References Cited

U.S. PATENT DOCUMENTS

- D. 33,074 8/1900 Verbeek .
- D. 36,215 2/1903 Mygatt .
- D. 39,285 4/1908 Verdeck .
- D. 52,011 5/1918 Franklin .
- D. 75,631 6/1928 Kopp .
- D. 80,827 4/1930 Beyer .
- D. 80,912 4/1930 Rosenblatt ..... D26/91
- D. 83,683 3/1931 Kopp .
- D. 194,059 11/1962 Weber .
- D. 251,871 5/1979 Horn ..... D26/91
- 3,757,110-9/1973 Soboleski ..... 362/360
- 4,541,034 9/1985 Van Noord .

OTHER PUBLICATIONS

Kichler Lighting Catalog, 8/87, p. 13, Chandelier K-2043.

Progress Lighting Catalog, ©1980, p. 39, Hanging Lamp TC 5027.

The Thomas Industries catalog, p. 89, shows three multi-faceted lamp shade designs on the right-hand side of the page.

The Light Book brochure, p. 25, shows two lamp shade designs having multiple panels of glass.

Thomas Lighting Catalog pp. 50,52 and 53. (1987).

Dale Tiffany Catalog pp. 2 and 3. (Jul. 1985).

Maxim Catalog pp. 8, 23, 29, 30, 34, 37, 41 and M1. (1986).

Page 49 of Thomas Industries Stylebook M-176 (1979).

Primary Examiner—Susan J. Lucas

Attorney, Agent, or Firm—Watts, Hoffmann, Fisher & Heinke Co.

[57] CLAIM

The ornamental design for a lamp shade, as shown and described.

DESCRIPTION

FIG. 1 is a perspective view of a lamp shade showing my new design;

FIG. 2 is a side elevational view thereof on a reduced scale, all sides being identical;

FIG. 3 is a top plan view thereof on a reduced scale;

FIG. 4 is a bottom plan view thereof on a reduced scale.

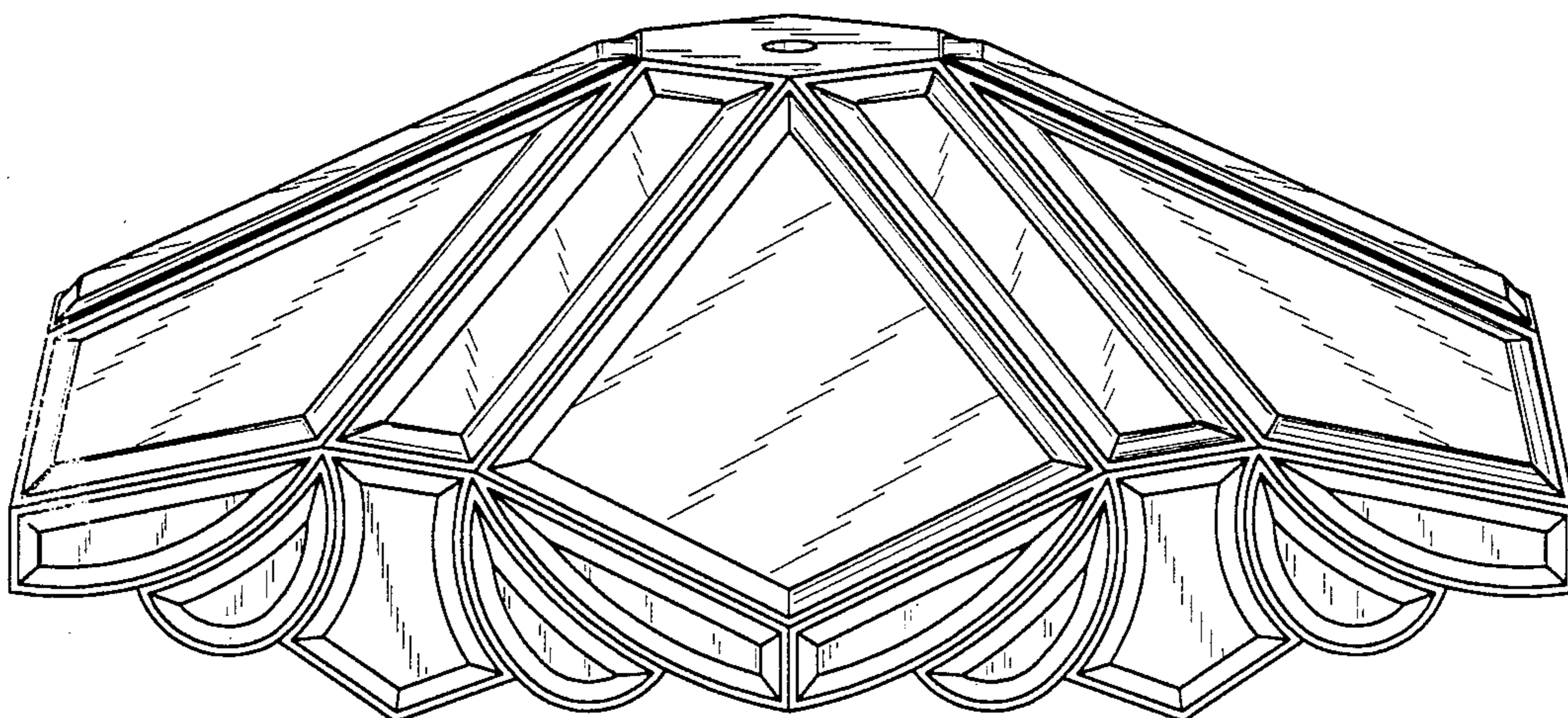
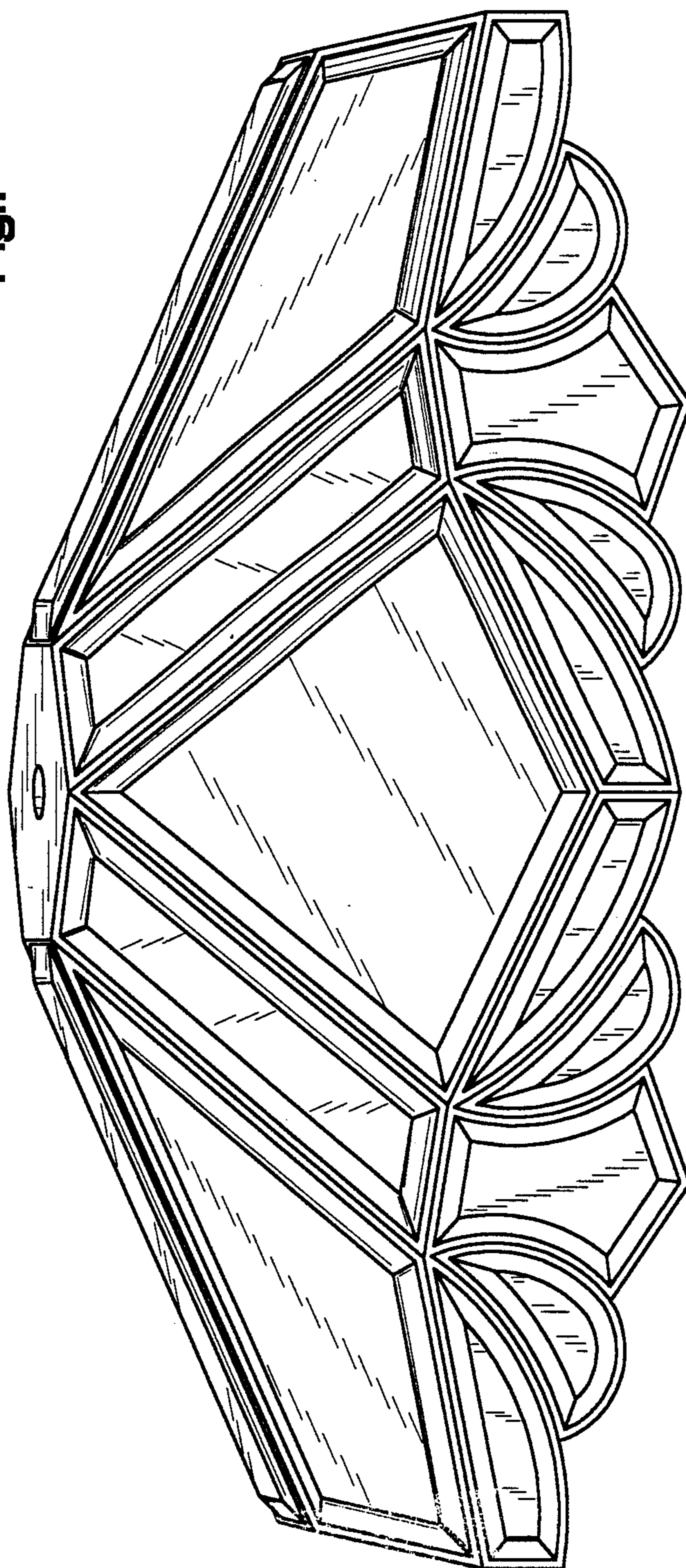


Fig.1



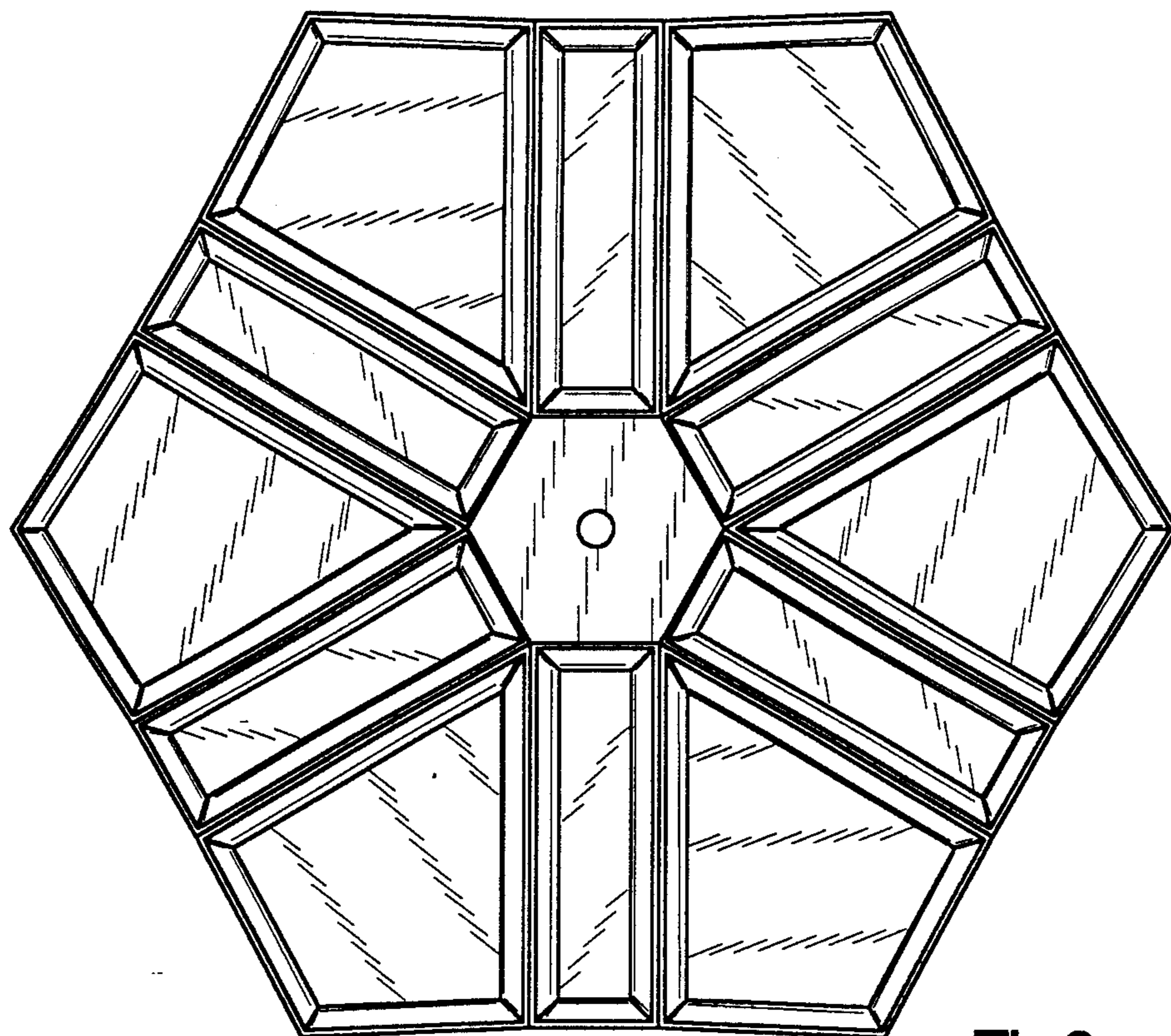


Fig.3

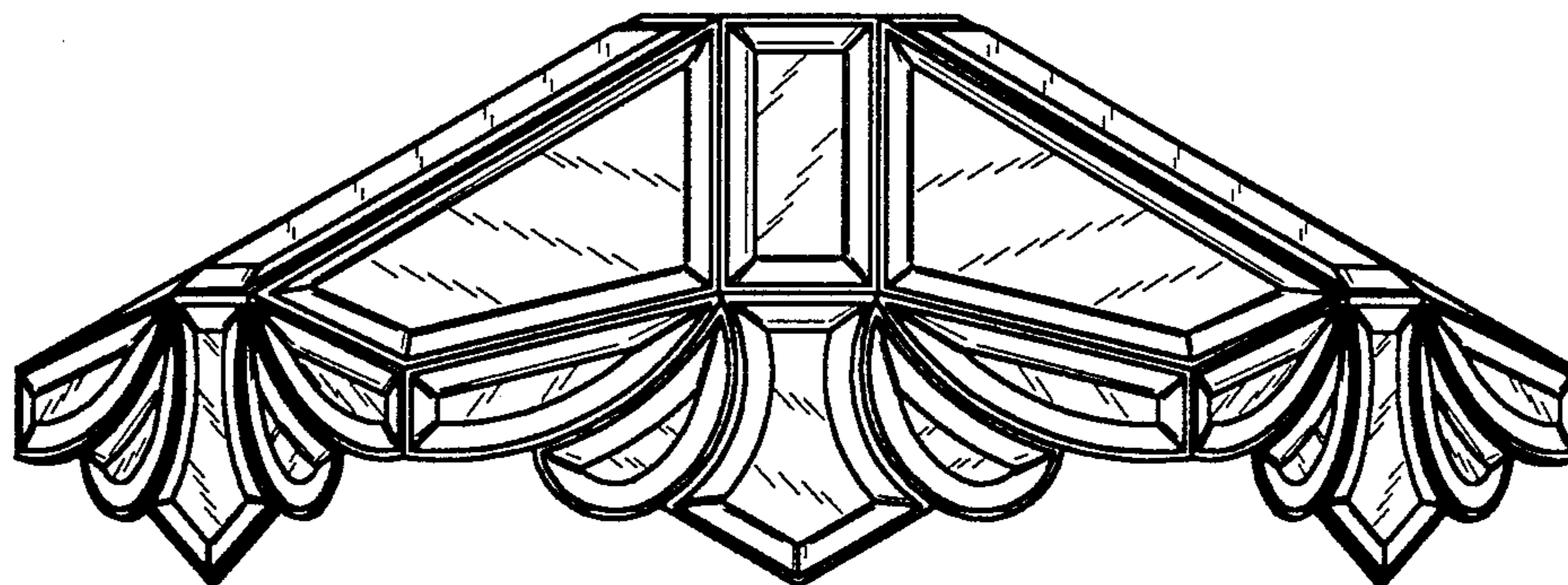


Fig.2

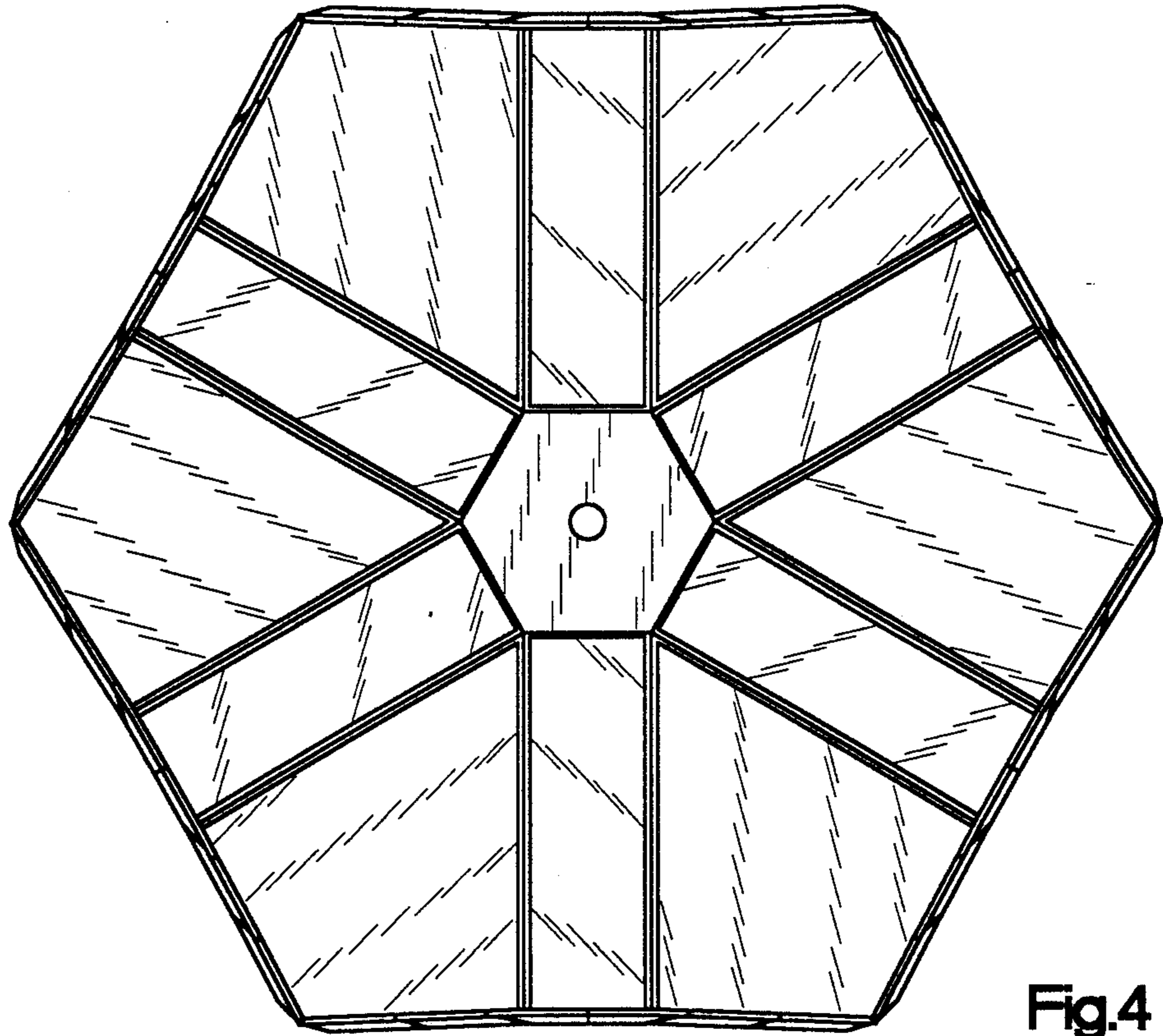


Fig.4