

[54] **LANTERN**

[76] **Inventor:** Chuen Tang, Cheung Hing Industrial Building, 6th & 7th Floors, 23 Tai Yip Street, Kwun Tong, Kowloon, Hong Kong, Hong Kong

[**] **Term:** 14 Years

[21] **Appl. No.:** 267,462

[22] **Filed:** Nov. 4, 1988

[30] **Foreign Application Priority Data**

May 24, 1988 [GB] United Kingdom 1050934
[52] **U.S. Cl.** D26/42
[58] **Field of Search** D26/37-50;
362/157-158, 183-208

[56] **References Cited**

U.S. PATENT DOCUMENTS

D. 257,889 1/1981 Chan D26/40
D. 282,211 1/1986 Tang D26/41 X
D. 286,204 10/1986 Poon D26/42

OTHER PUBLICATIONS

HongKong Enterprise Item 2220 Lantern, 11-1986, p. 241.

Hong Kong Enterprise Item H-185 Lanterns, 11-1986, p. 338.

Primary Examiner—Susan J. Lucas

Assistant Examiner—M. H. Tung

Attorney, Agent, or Firm—Pollock, Vande Sande & Priddy

[57] **CLAIM**

The ornamental design for a lantern, as shown and described.

DESCRIPTION

FIG. 1 is a front elevational view of a lantern showing my new design;

FIG. 2 is a left side elevational view thereof;

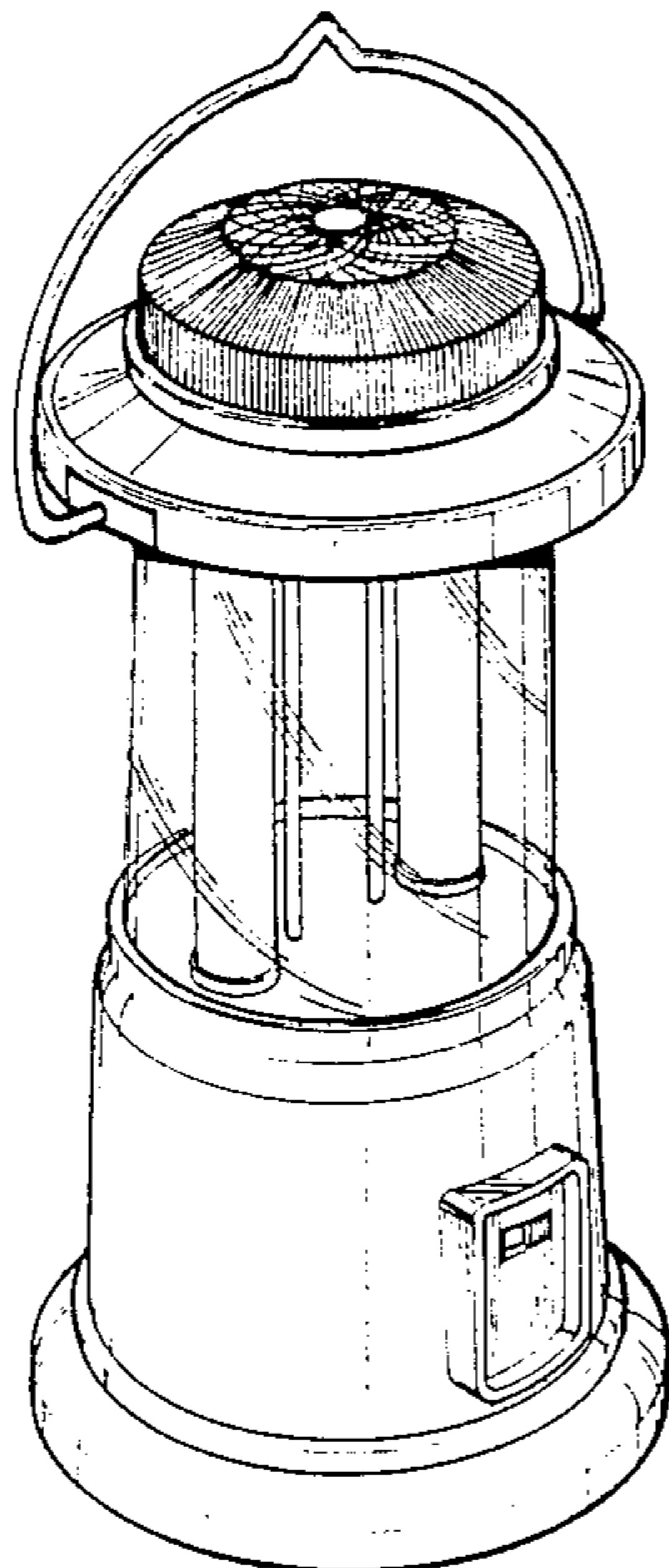
FIG. 3 is a right side elevational view thereof;

FIG. 4 is a rear elevational view thereof;

FIG. 5 is a top plan view thereof;

FIG. 6 is a bottom plan view thereof;

FIG. 7 is a top, front, right side perspective view thereof, on a reduced scale.



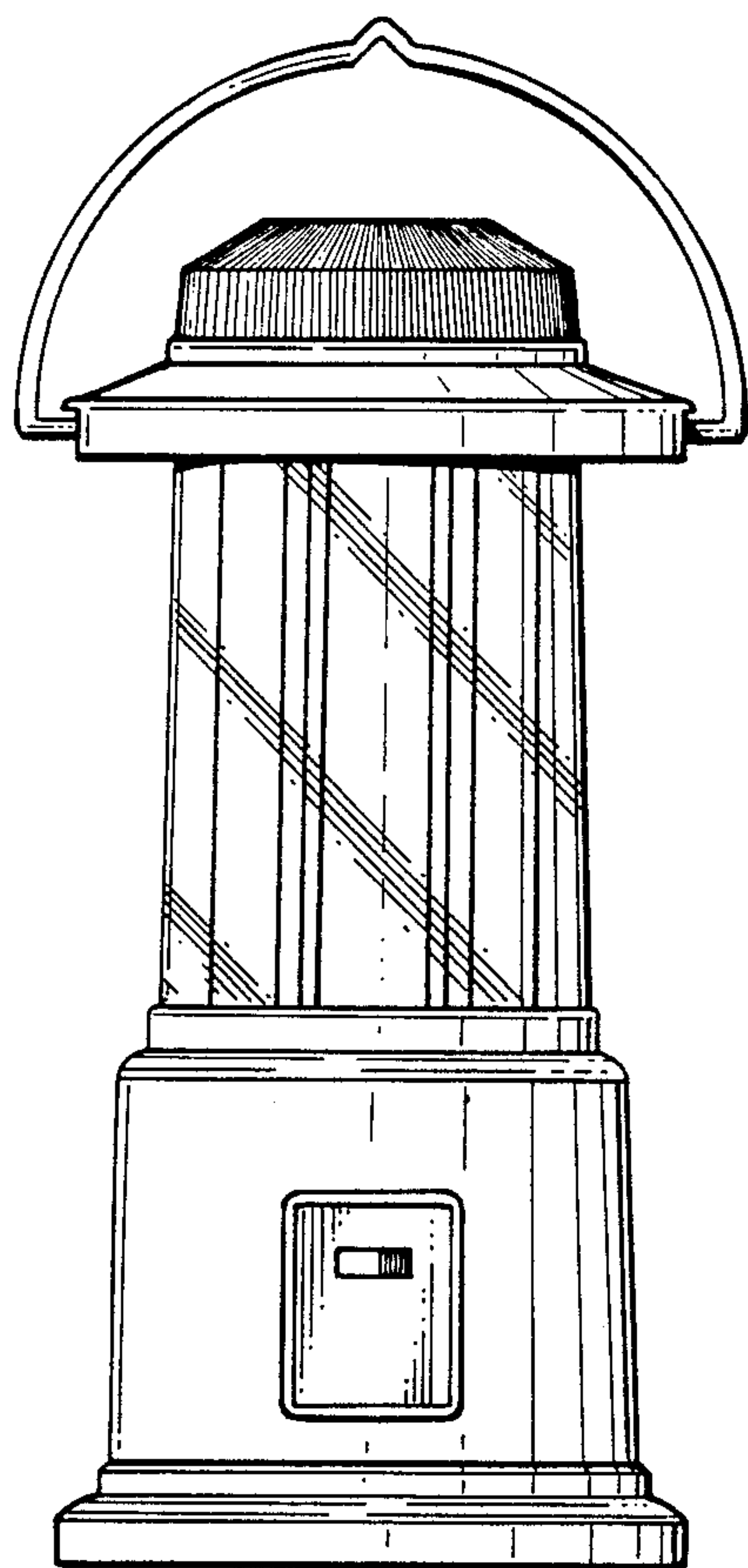


FIG. 1

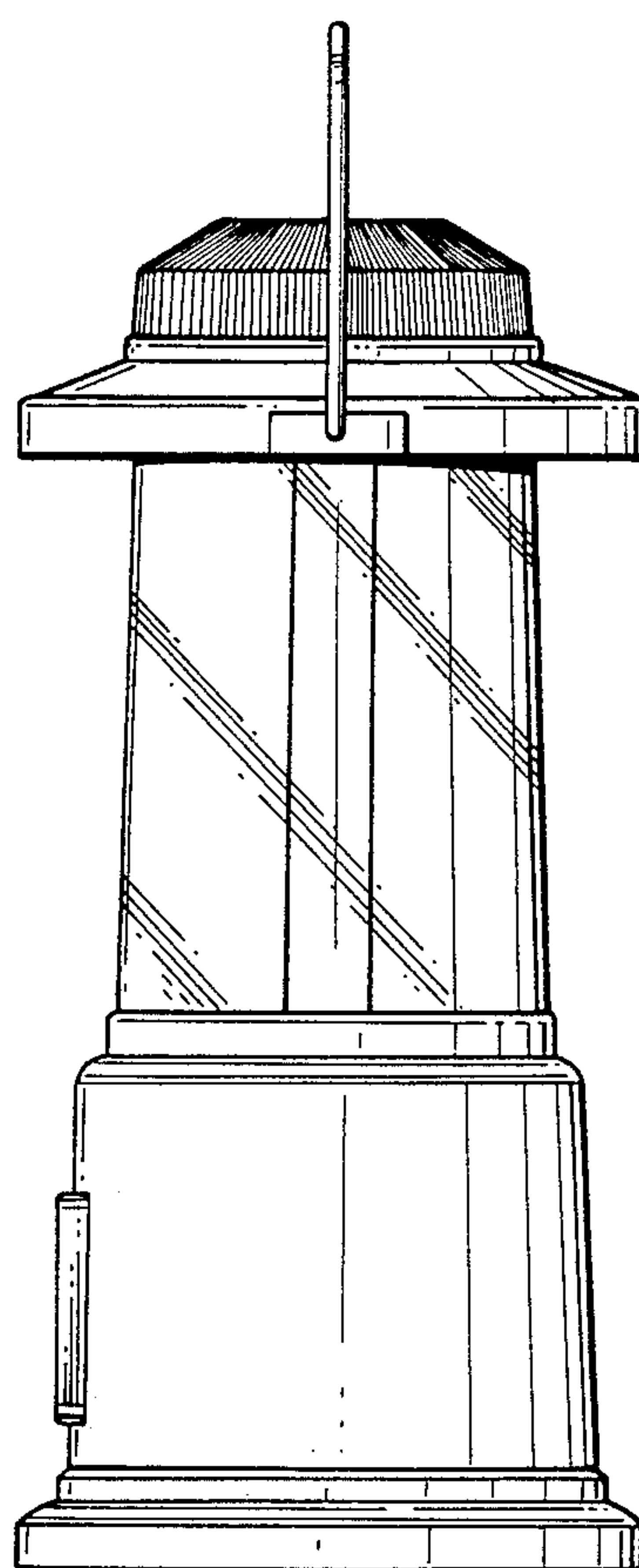


FIG. 2

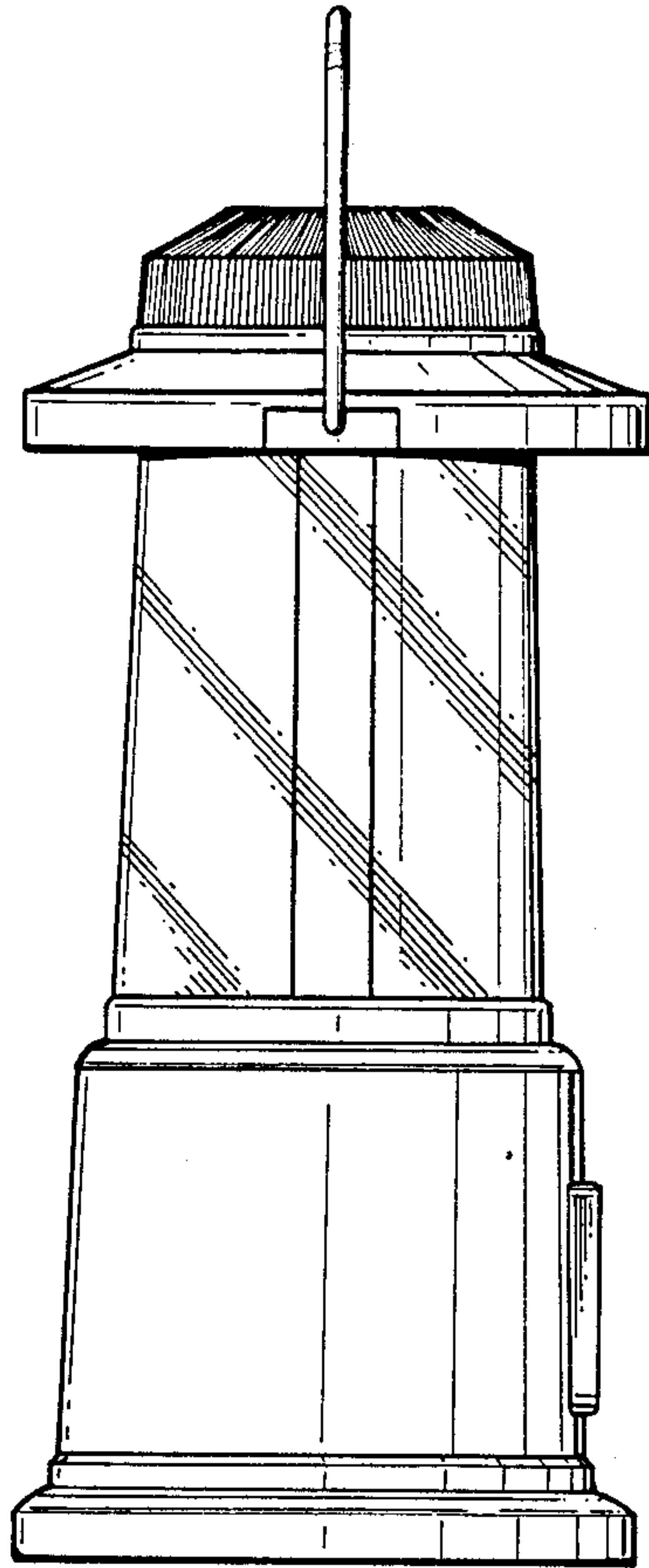


FIG. 3

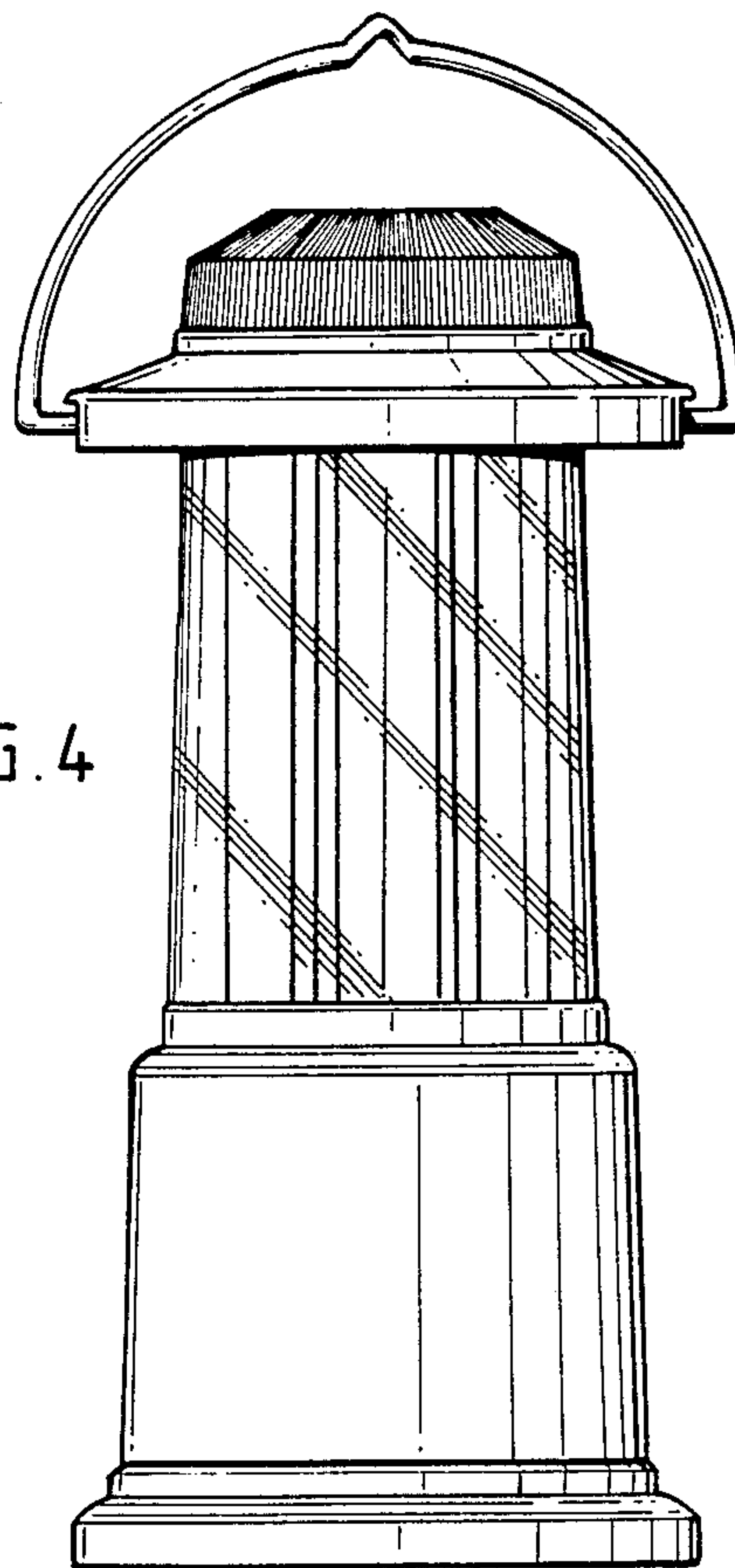


FIG. 4

FIG. 5

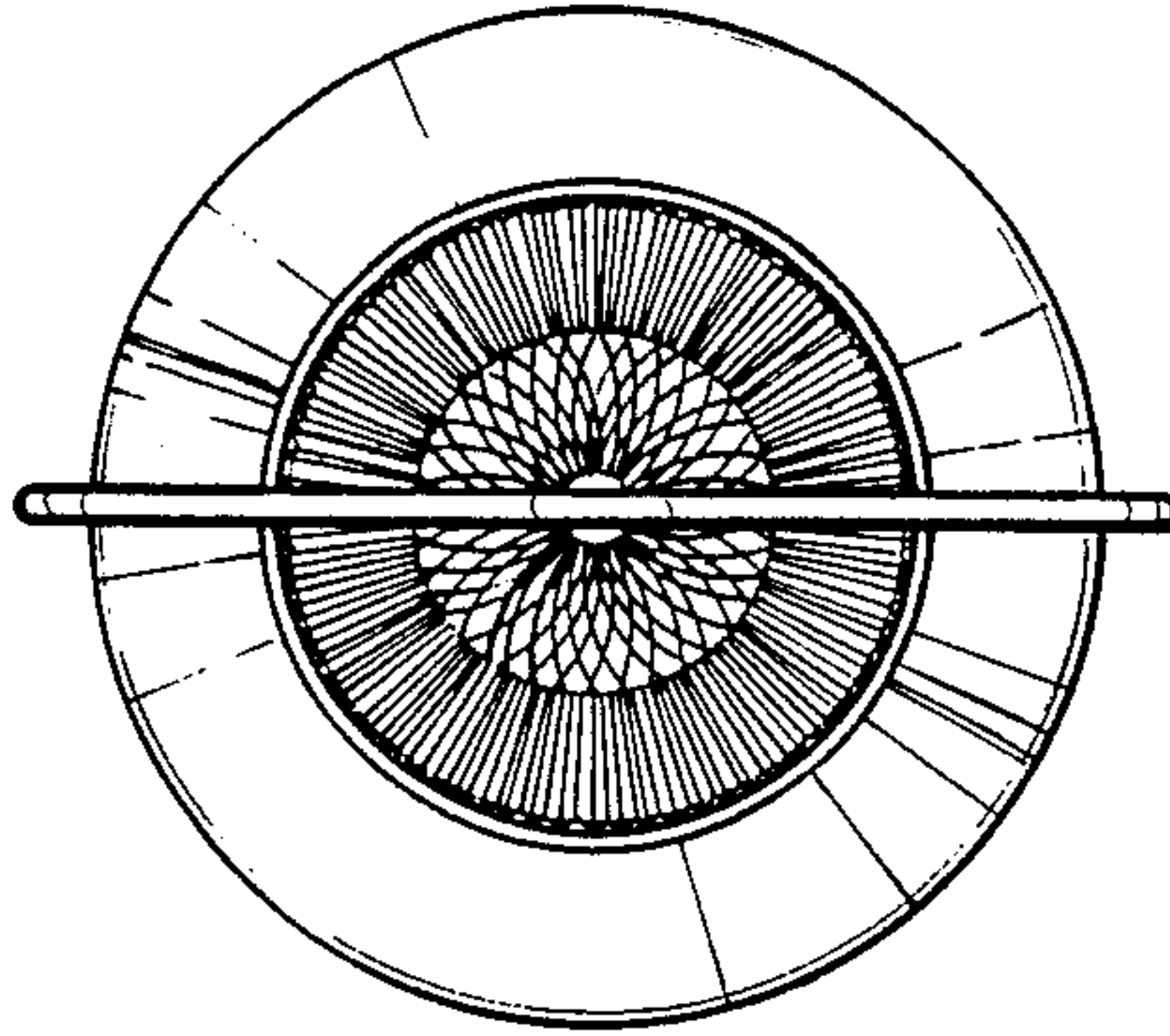


FIG. 6

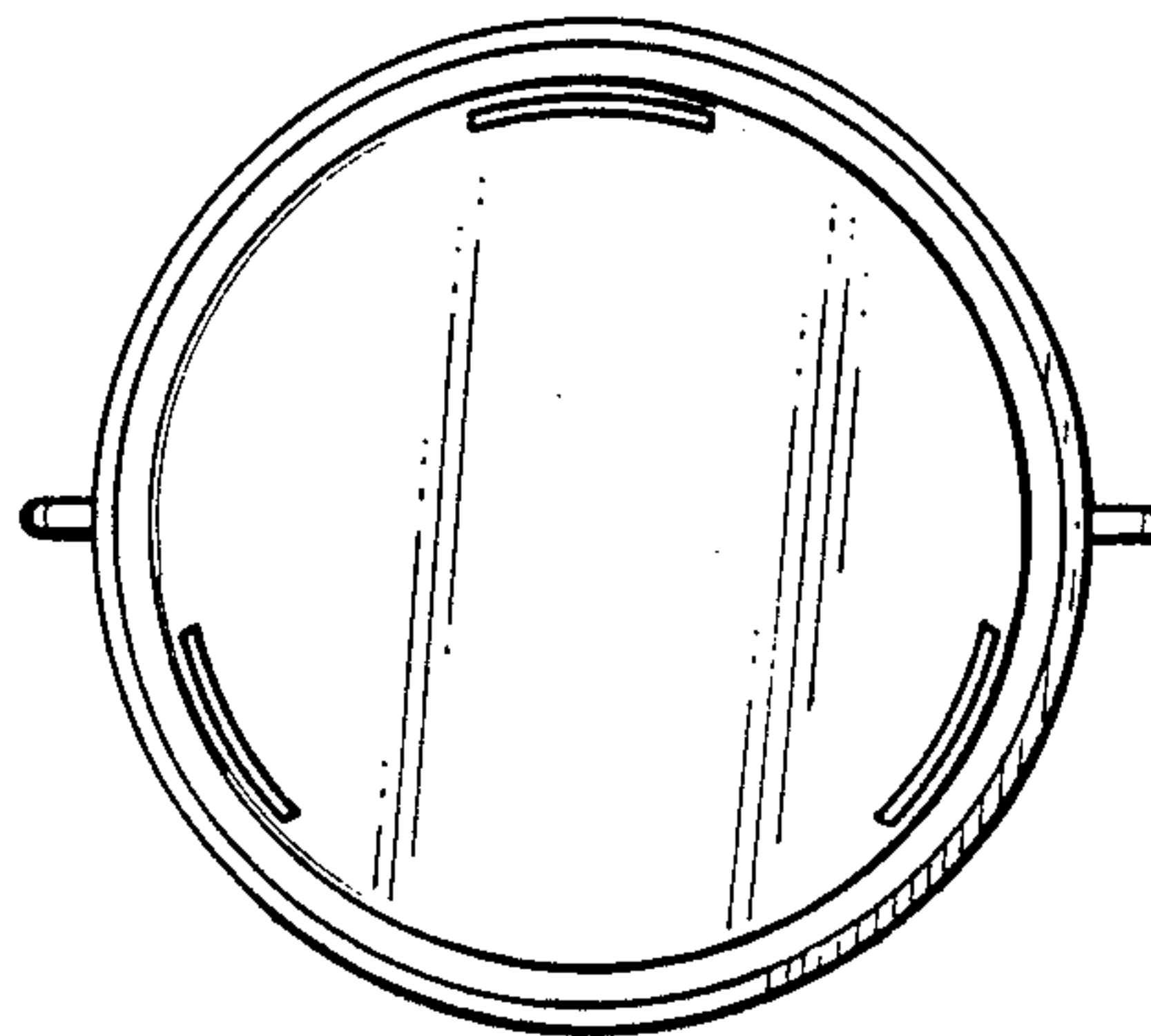


FIG. 7

