

[54] **CORDLESS, RECHARGEABLE,
BATTERY-OPERATED TROUBLE LIGHT**

[76] Inventors: **Dan J. Molony**, P.O. Box 27; **Milton H. Strong, Jr.**, P.O. Box 99, both of Rainier, Oreg. 97048

[**] Term: **14 Years**

[21] Appl. No.: **237,453**

[22] Filed: **Aug. 29, 1988**

[52] U.S. Cl. **D26/37**

[58] Field of Search **D26/37-50;**
D10/111-114; 362/157-158, 183-208, 404, 407

[56] **References Cited**

U.S. PATENT DOCUMENTS

- D. 133,969 9/1942 Warren D26/37 X
- D. 258,467 3/1981 Buchanan D26/45

OTHER PUBLICATIONS

DIY Retailing Item Magneflex™ Work Light, 8-1985, p. 313.,
Daniel Woodhead Catalog Items Portable Lights, 1984, p. 8.

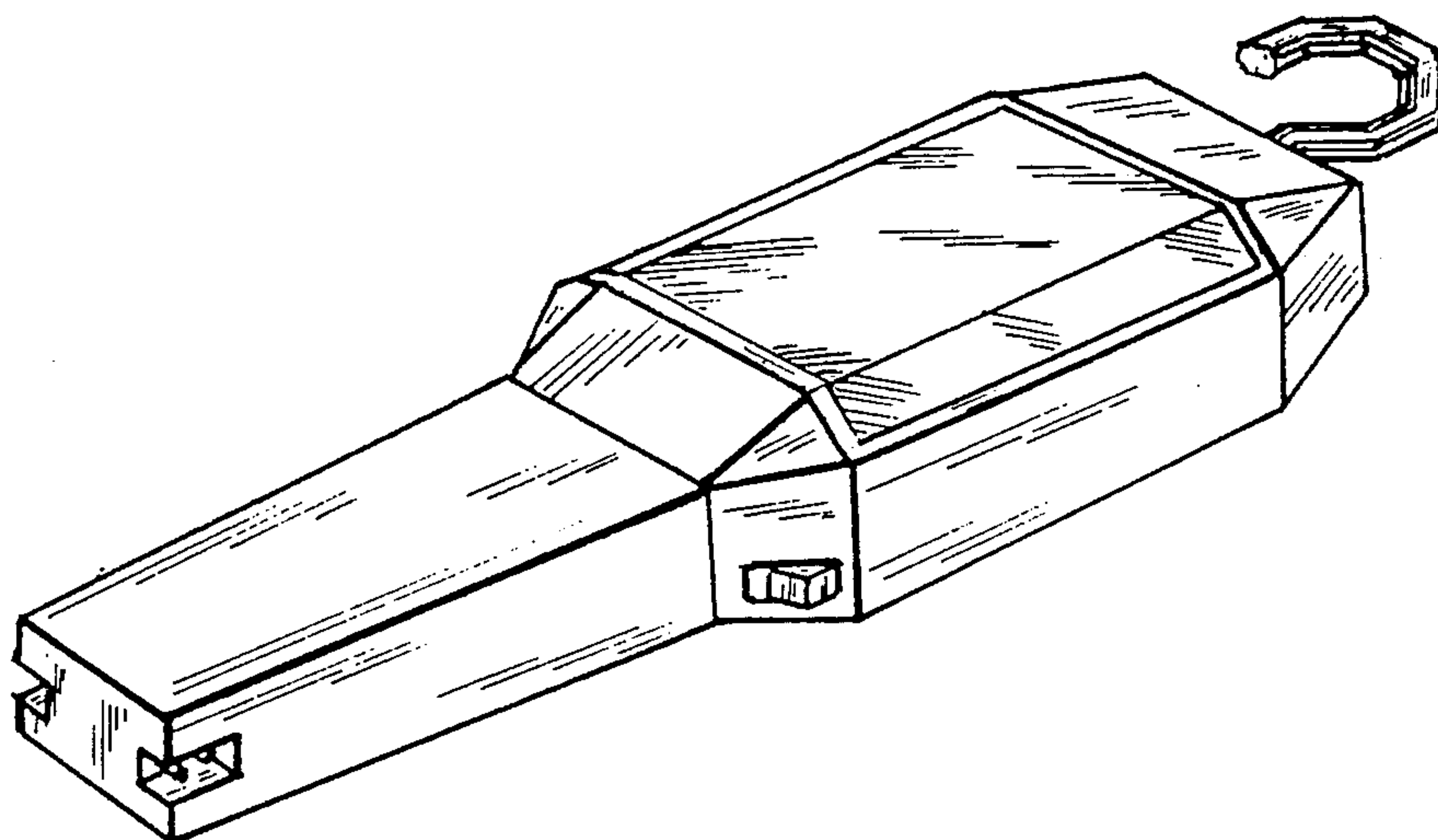
Primary Examiner—Susan J. Lucas
Assistant Examiner—M. H. Tung
Attorney, Agent, or Firm—Eugene D. Farley

[57] **CLAIM**

The ornamental design for a cordless, rechargeable, battery-operated trouble light, as shown and described.

DESCRIPTION

FIG. 1 is a top perspective view of the cordless, rechargeable, battery-operated trouble light showing our new design;
FIG. 2 is a top plan view thereof;
FIG. 3 is a side elevational view thereof;
FIG. 4 is a bottom plan view thereof;
FIG. 5 is the opposite side elevational view thereof;
FIG. 6 is a front elevational view thereof;
FIG. 7 is a rear elevational view thereof.



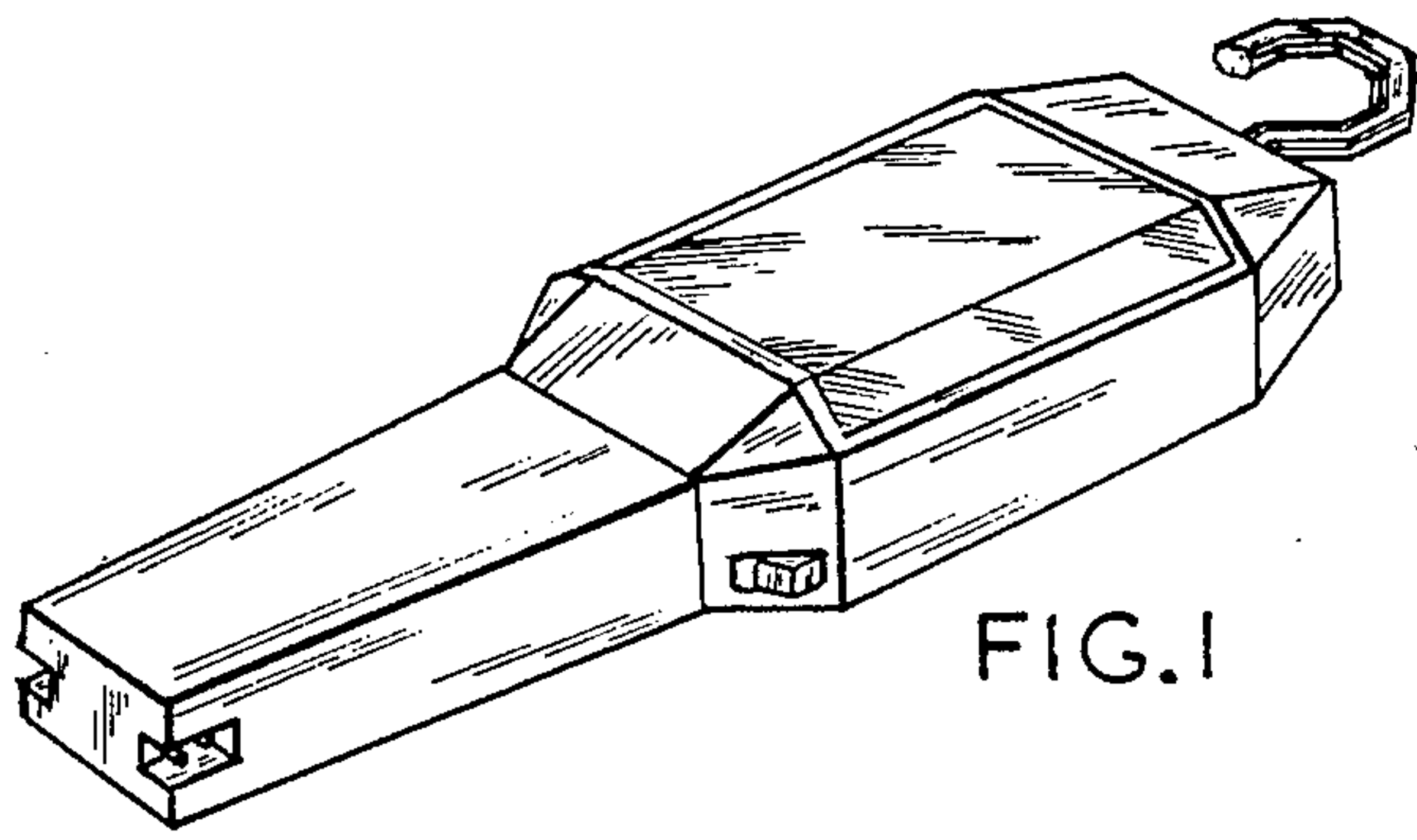


FIG. 1

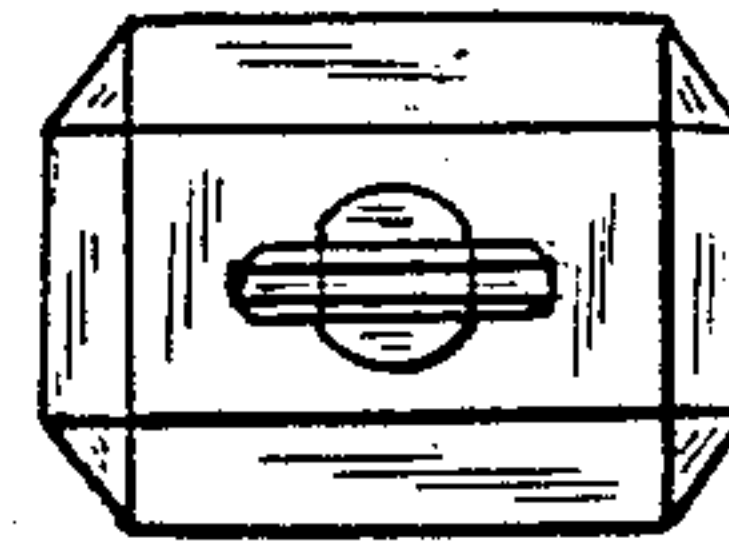


FIG. 6

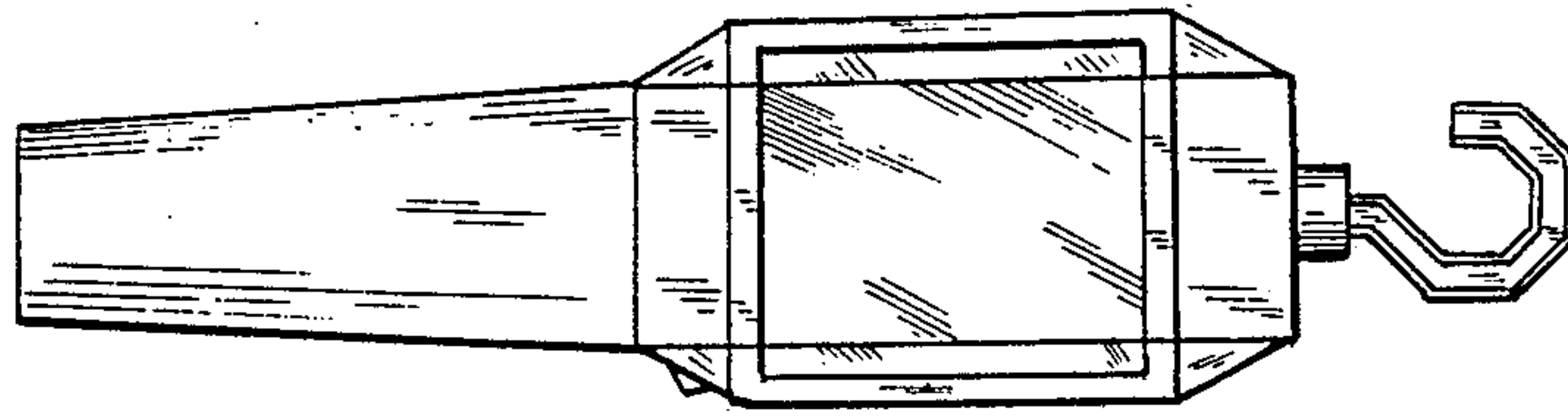


FIG. 2

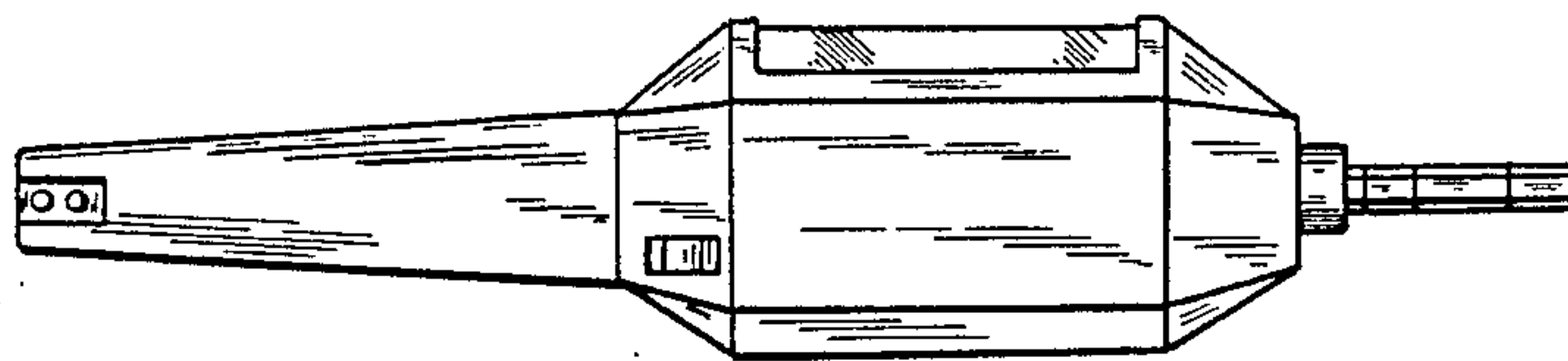


FIG. 3

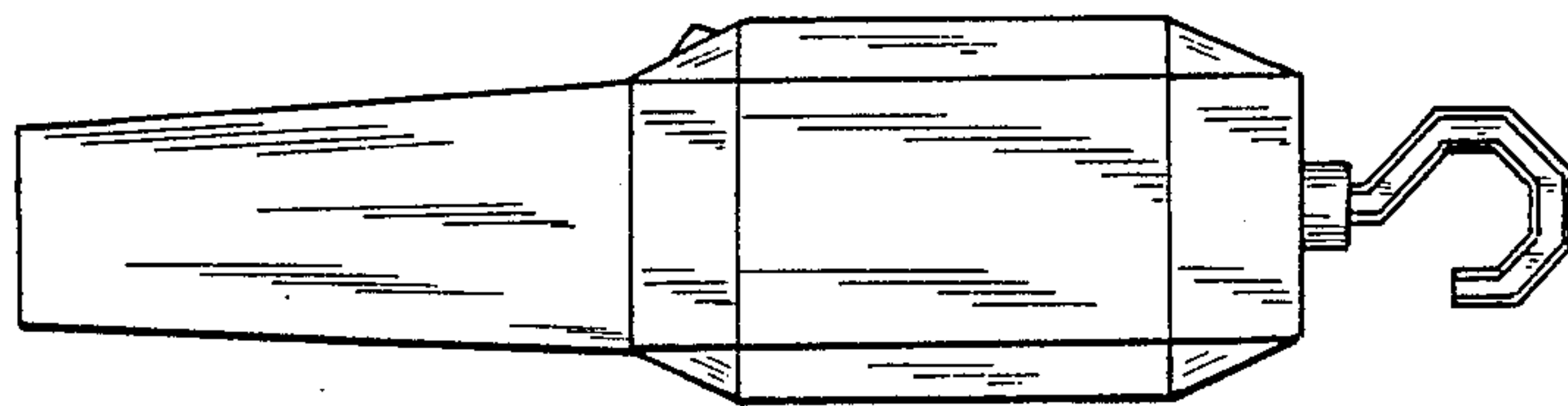


FIG. 4

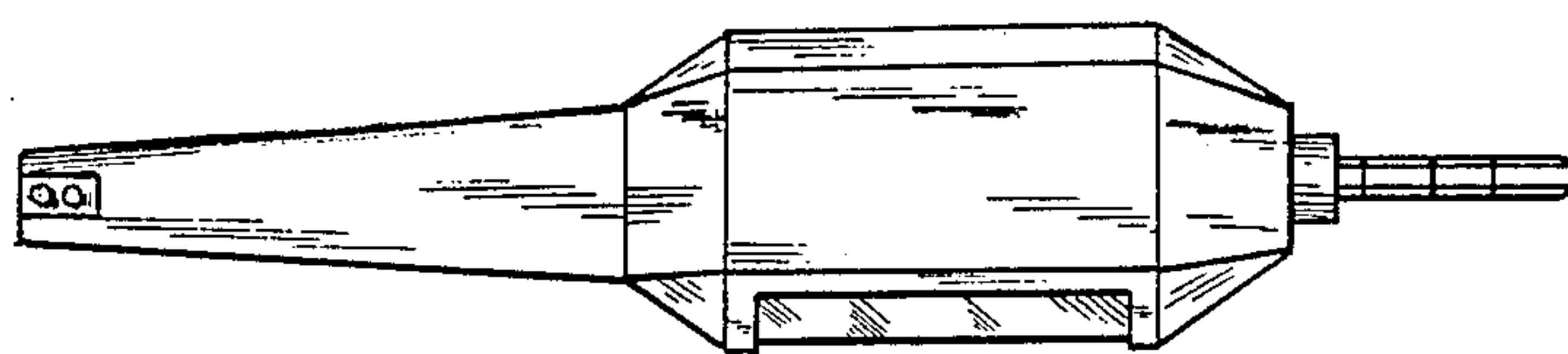


FIG. 5

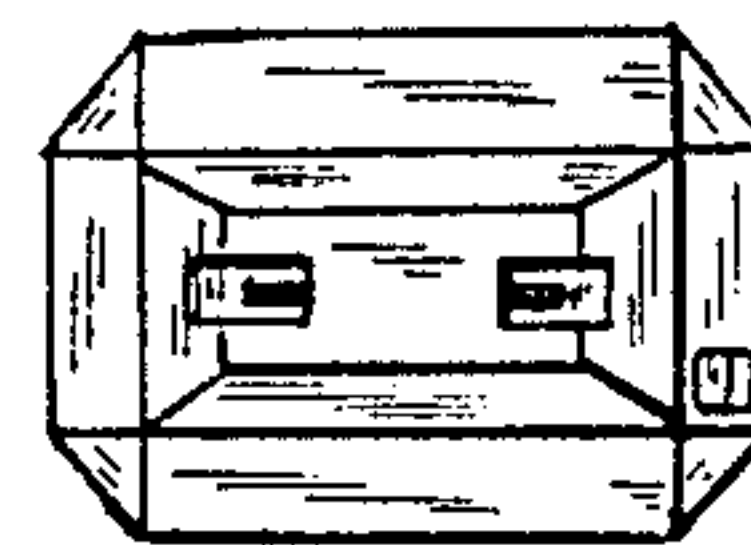


FIG. 7