

[54] **STAGING SUPPORT**

[75] **Inventor: Benjamin J. Harris, Wendlebury, England**
 [73] **Assignee: B. J. Harris (Oxford) Limited of the Laboratories, Osney, England**
 [**] **Term: 14 Years**
 [21] **Appl. No.: 248,478**
 [22] **Filed: Sep. 23, 1988**

[30] **Foreign Application Priority Data**

Mar. 26, 1988 [GB] United Kingdom 1 049 530
 Mar. 31, 1988 [GB] United Kingdom 1 049 650
 Mar. 31, 1988 [GB] United Kingdom 1 049 651
 Jul. 18, 1988 [GB] United Kingdom 1 052 394
 Jul. 18, 1988 [GB] United Kingdom 1 052 395
 [52] **U.S. Cl. D25/62**
 [58] **Field of Search D25/64; 52/6, 8, 9**

[56] **References Cited**

U.S. PATENT DOCUMENTS

D. 213,871 4/1969 Sorenson D25/62
 1,624,721 4/1927 Doke 52/8
 1,766,316 6/1930 Vance 52/8
 1,839,233 1/1932 Leffert et al. 52/8
 2,009,037 7/1935 Willerig 52/8
 2,466,982 4/1949 Easterwood 52/8
 2,584,066 1/1952 Torkelson 52/8

Primary Examiner—A. Hugo Word
Assistant Examiner—Doris Clark
Attorney, Agent, or Firm—Fleit, Jacobson, Cohn, Price, Holman & Stern

[57] **CLAIM**

The ornamental design for a staging support, as shown and described.

DESCRIPTION

FIG. 1 is a side elevational view of the first embodiment of a staging support embodying my design;
 FIG. 2 is a front elevational view of the staging support as shown in FIG. 1;
 FIG. 3 is a rear elevational view of the staging support as shown in FIG. 1;

FIG. 4 is a top plan view of the staging support as shown in FIG. 1;
 FIG. 5 is a bottom plan view of the staging support as shown in FIG. 1;
 FIG. 6 is a side elevational view of the second embodiment of a staging support embodying my design;
 FIG. 7 is a front elevational view of the staging support as shown in FIG. 6;
 FIG. 8 is a rear elevational view of the staging support as shown in FIG. 6;
 FIG. 9 is a top plan view of the staging support as shown in FIG. 6;
 FIG. 10 is a bottom plan view of the staging support as shown in FIG. 6;
 FIG. 11 is a side elevational view of the third embodiment of a staging support embodying my design;
 FIG. 12 is a front elevational view of the staging support as shown in FIG. 11;
 FIG. 13 is a rear elevational view of the staging support as shown in FIG. 11;
 FIG. 14 is a top plan view of the staging support as shown in FIG. 11;
 FIG. 15 is a bottom plan view of the staging support as shown in FIG. 11;
 FIG. 16 is a side elevational view of the fourth embodiment of a staging support embodying my design;
 FIG. 17 is a front elevational view of the staging support as shown in FIG. 16;
 FIG. 18 is a rear elevational view of the staging support as shown in FIG. 16;
 FIG. 19 is a top plan view of the staging support as shown in FIG. 16;
 FIG. 20 is a bottom plan view of the staging support as shown in FIG. 16;
 FIG. 21 is a perspective view of the staging support as shown in FIG. 16;
 FIG. 22 is a side elevational view of the fifth embodiment of a staging support embodying my design;
 FIG. 23 is a front elevational view of the staging support as shown in FIG. 22;
 FIG. 24 is a rear elevational view of the staging support as shown in FIG. 22;
 FIG. 25 is a top plan view of the staging support as shown in FIG. 22;
 FIG. 26 is a bottom plan view of the staging support as shown in FIG. 22;

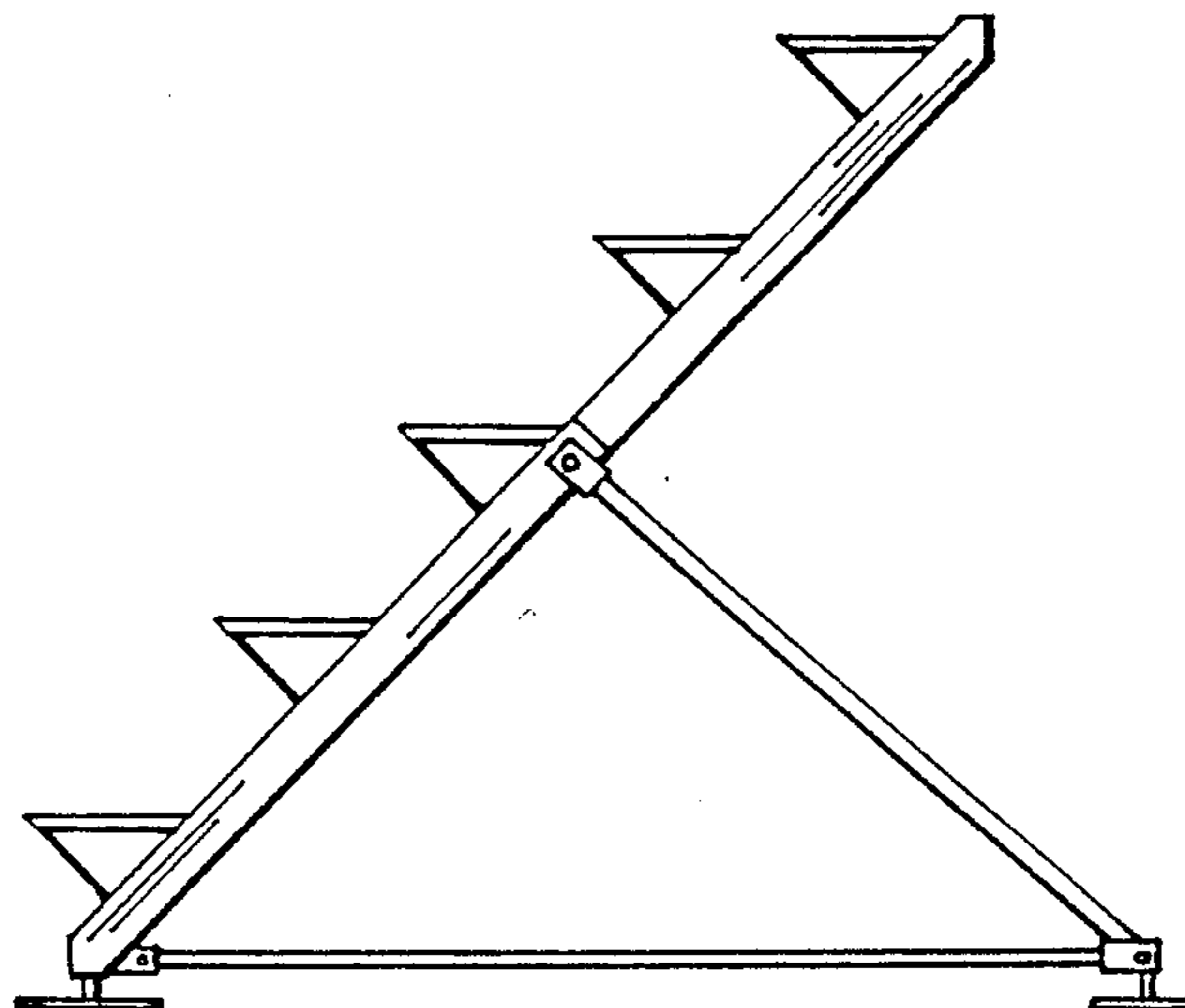


FIG. 27 is a perspective view of the staging support assembly as shown in FIG. 22;

FIG. 28 is a perspective view of the staging support as shown in FIG. 1;

FIG. 29 is a perspective view of the staging support as shown in FIG. 6; and

FIG. 30 is a perspective view of the staging support as shown in FIG. 11.

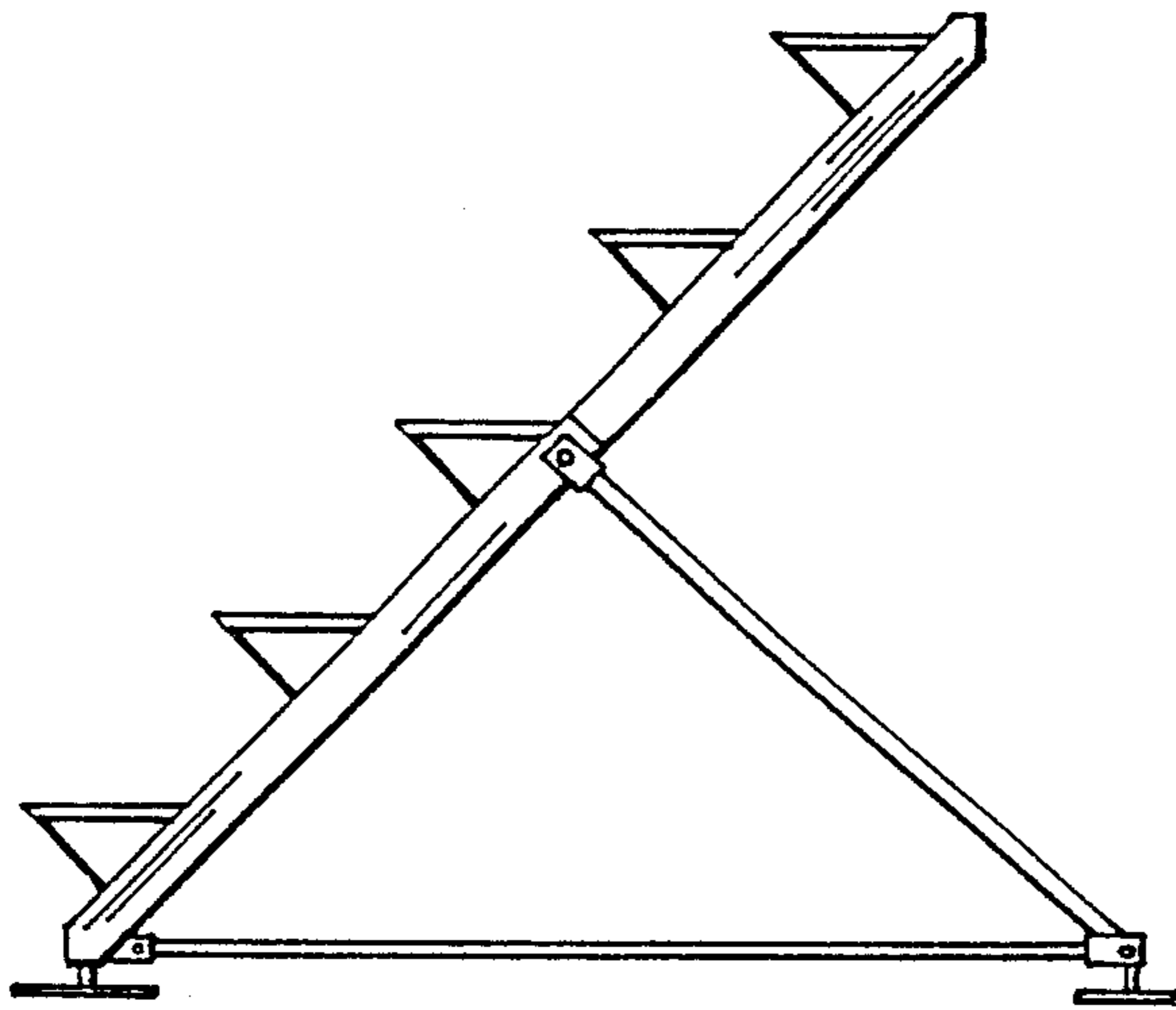


FIG. 1

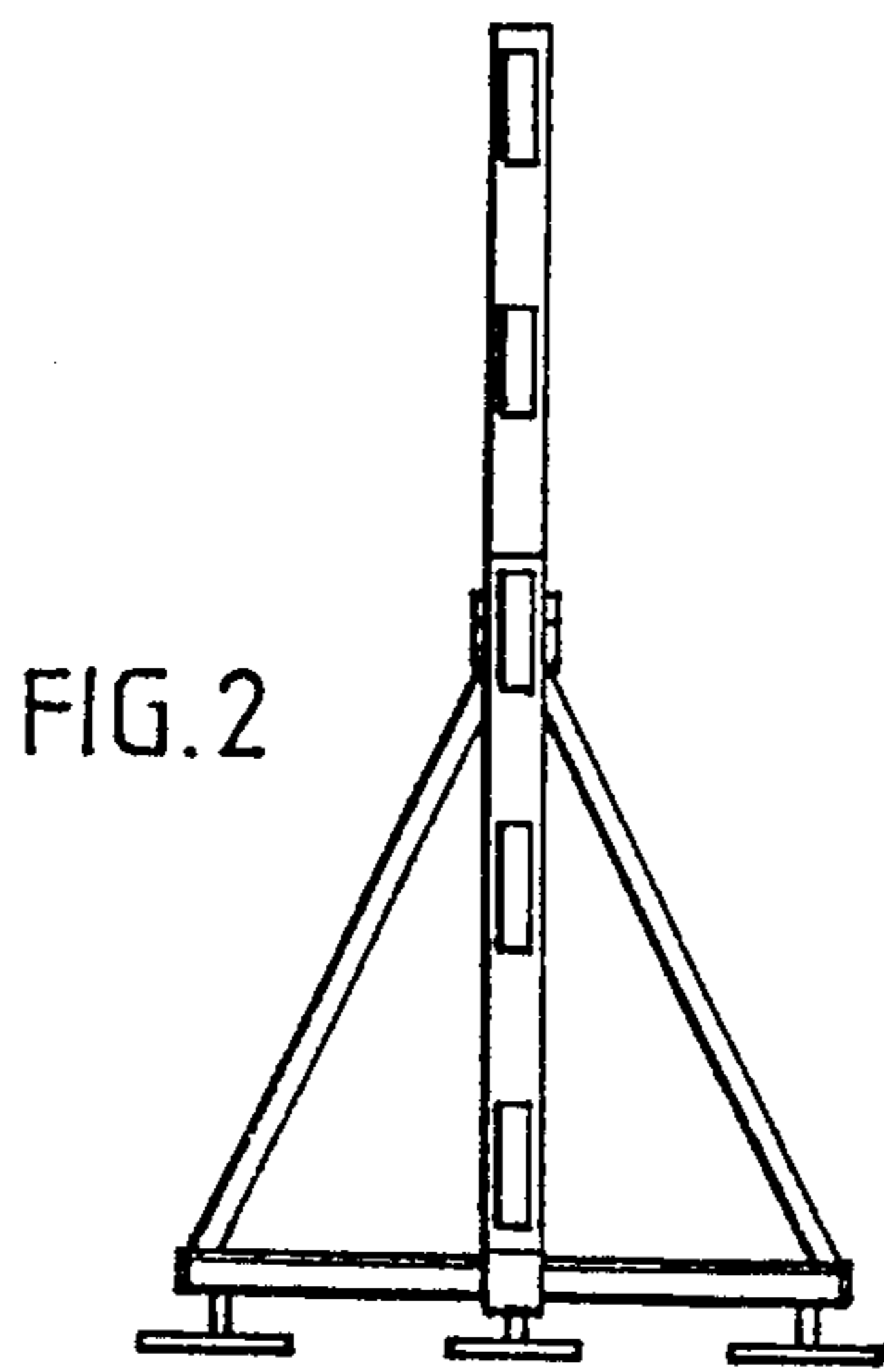


FIG. 2

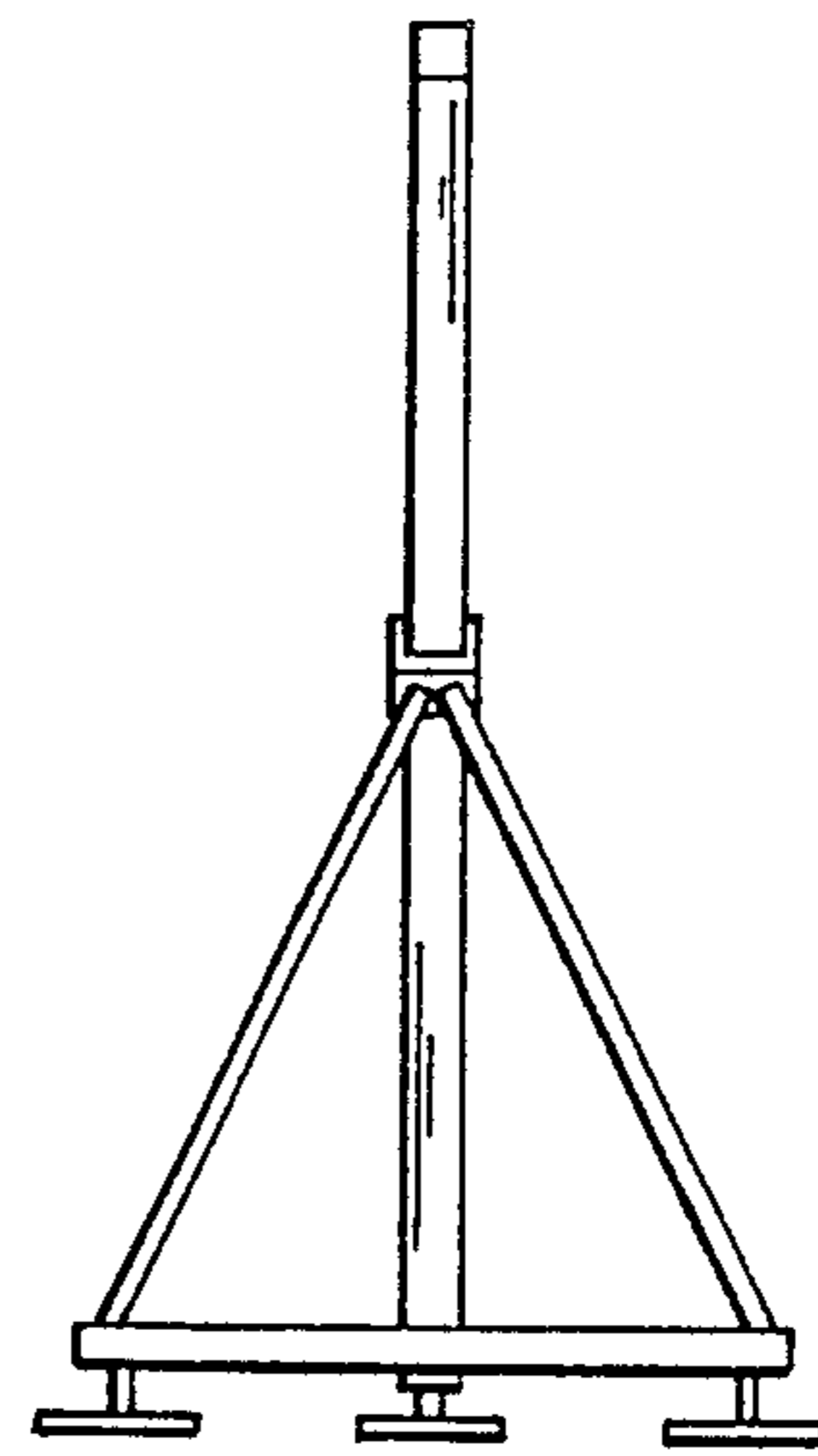


FIG. 3

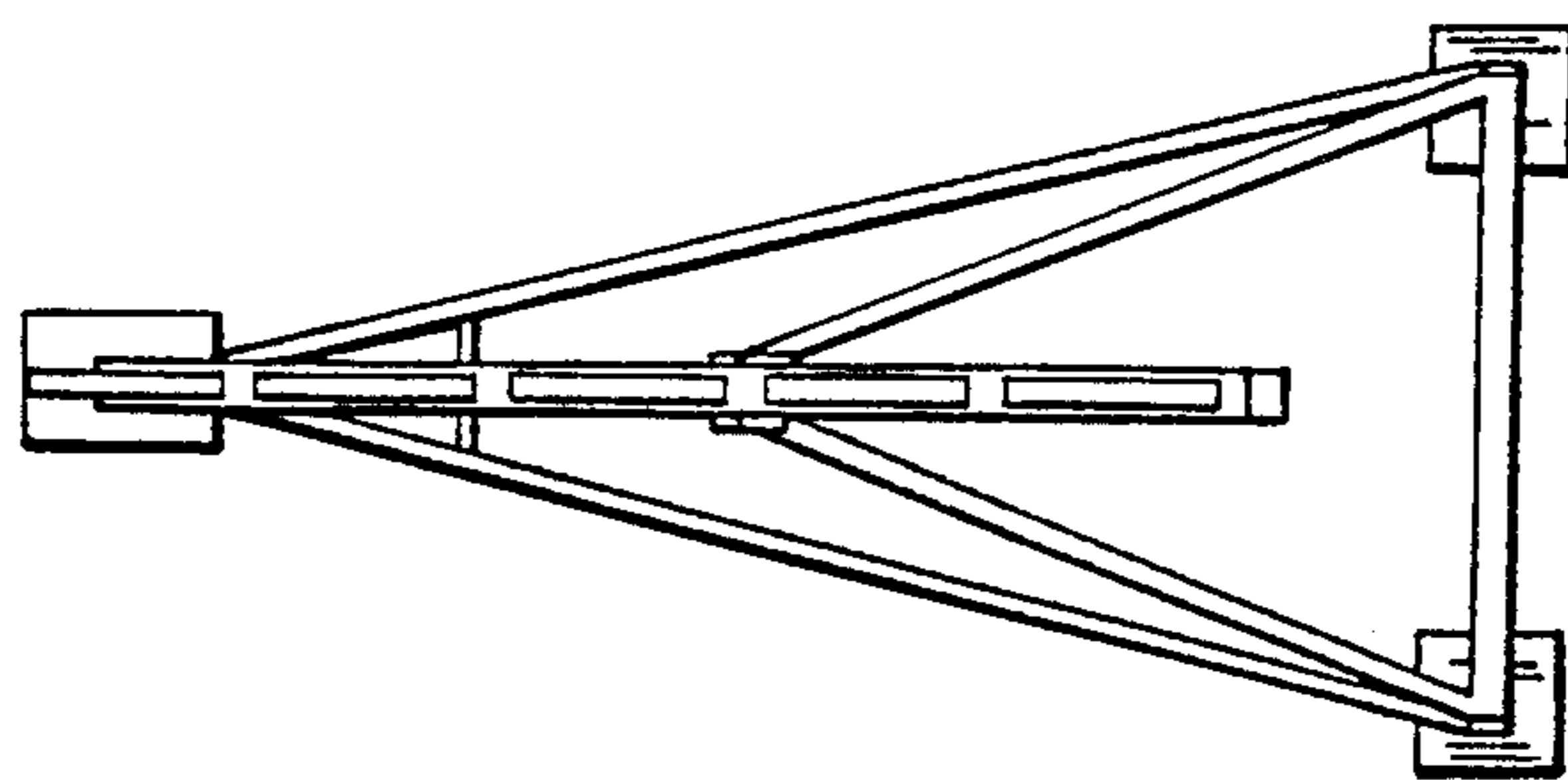


FIG. 4

FIG. 5

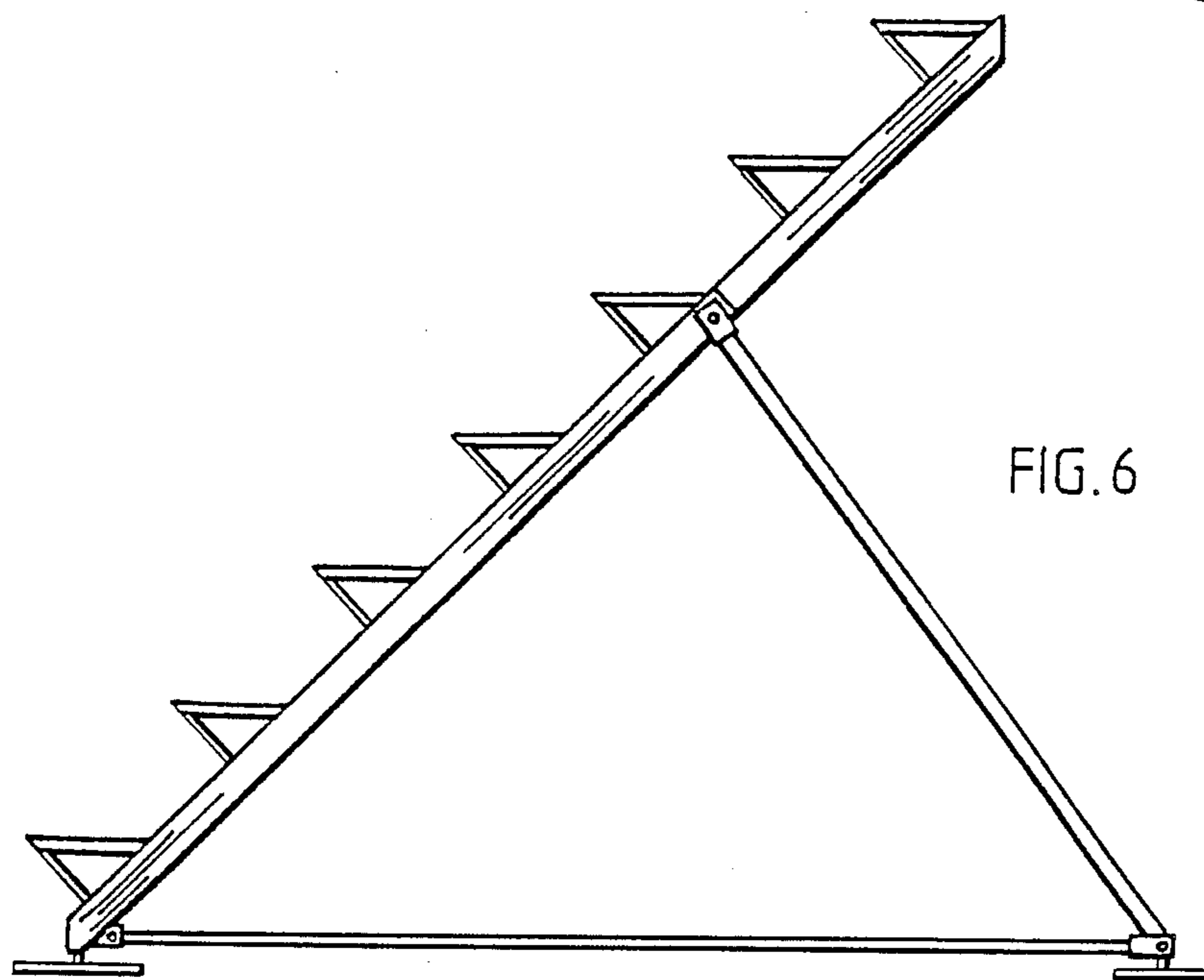
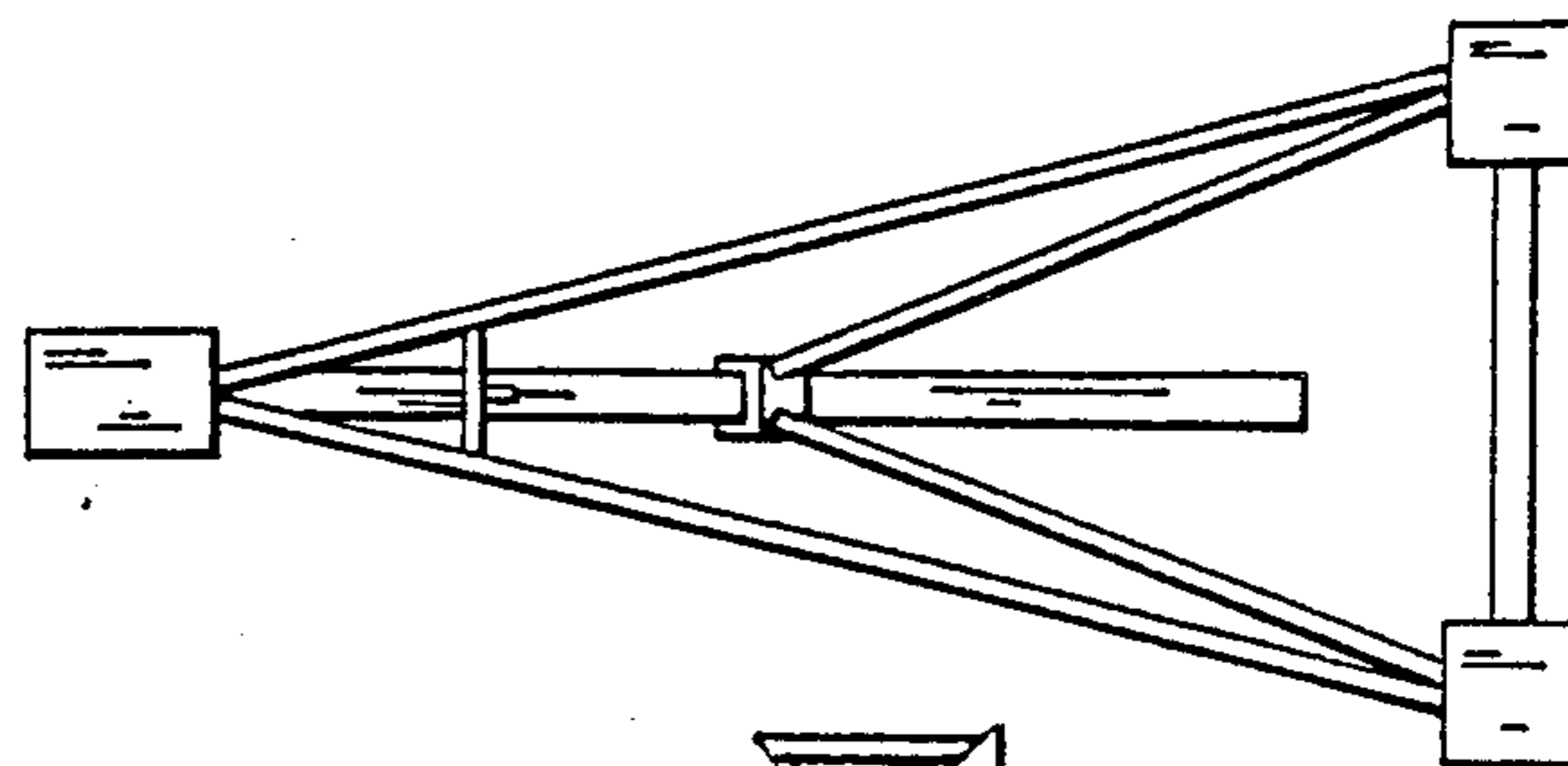


FIG. 6

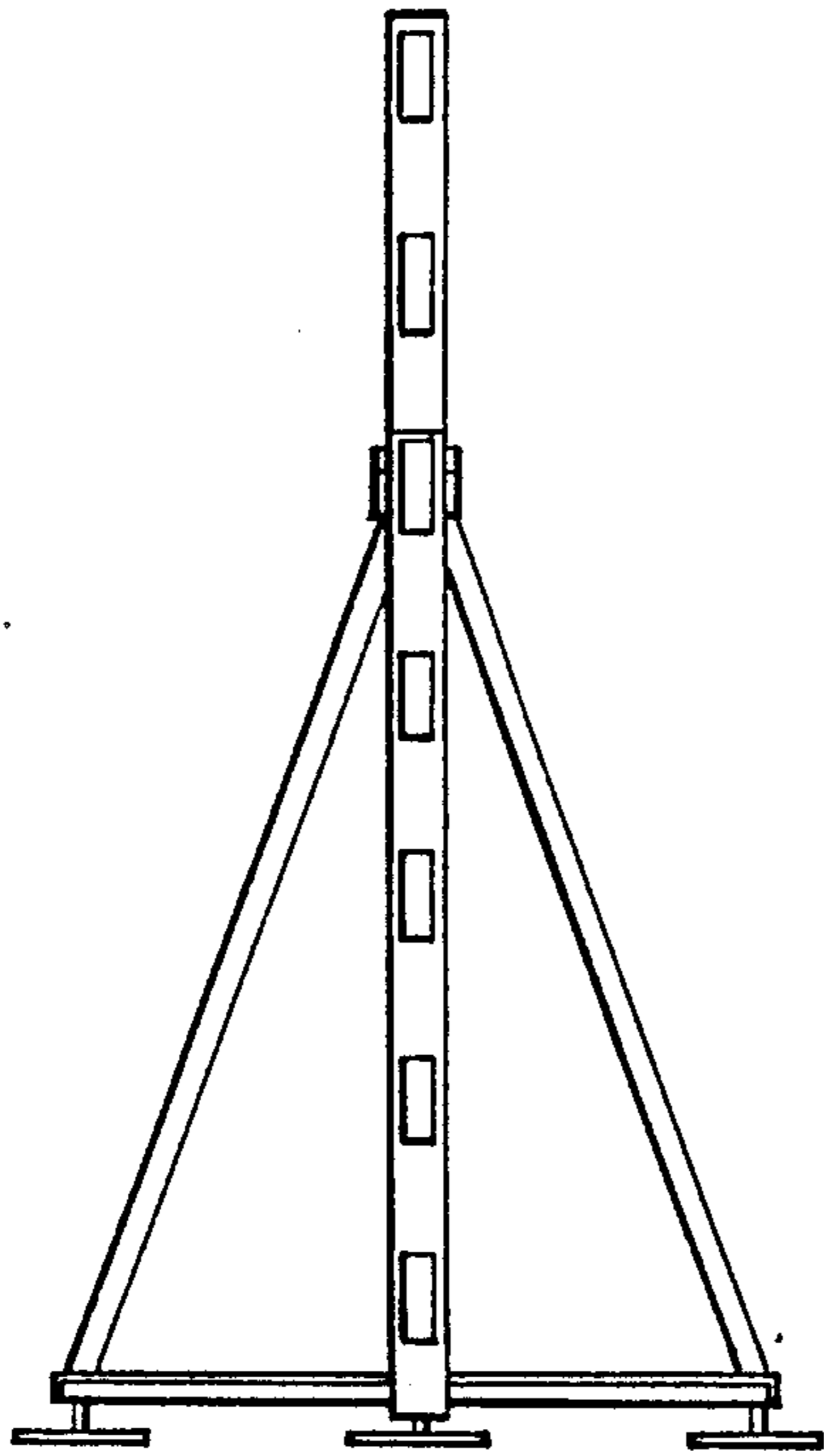


FIG. 7

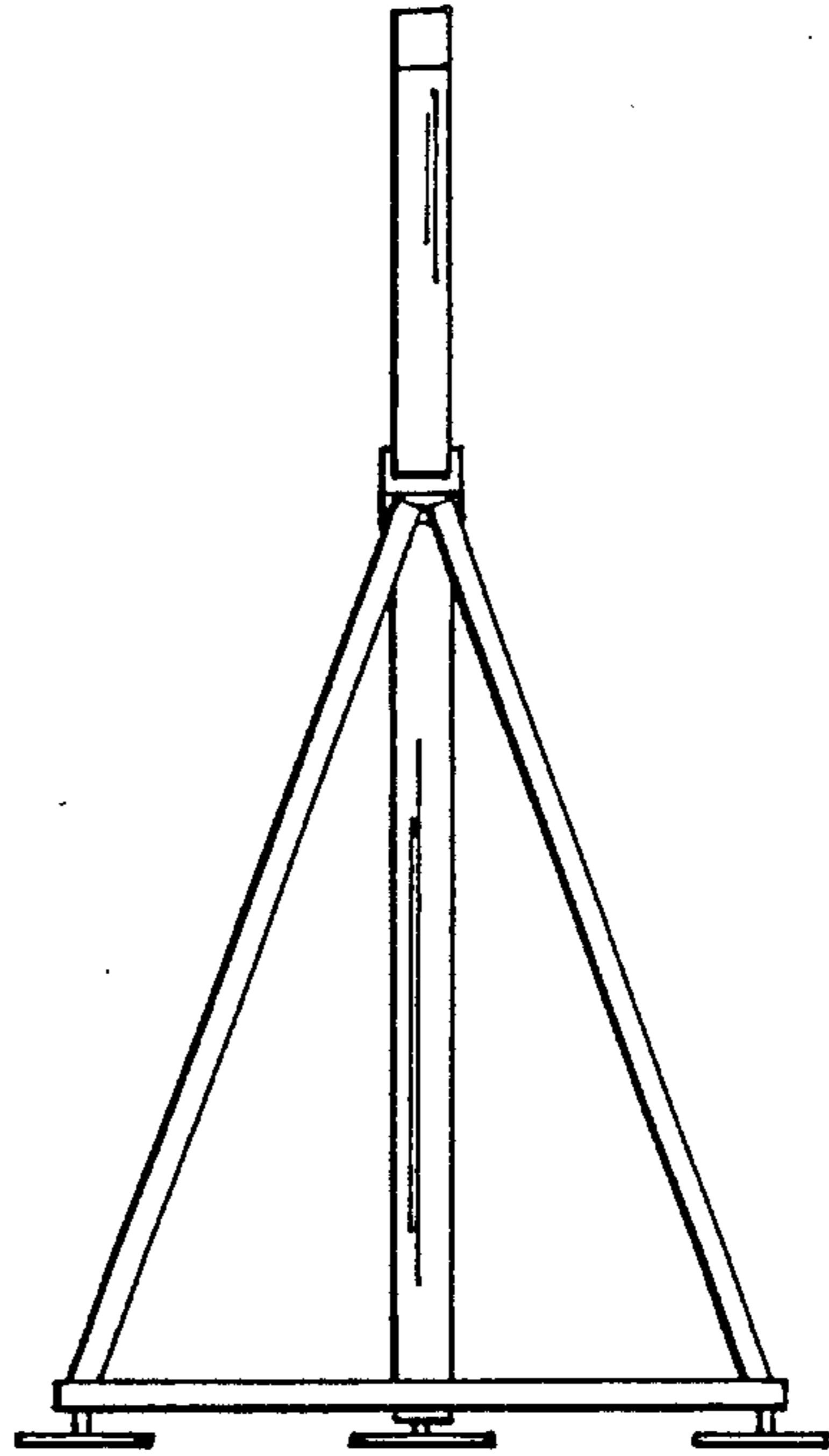


FIG. 8

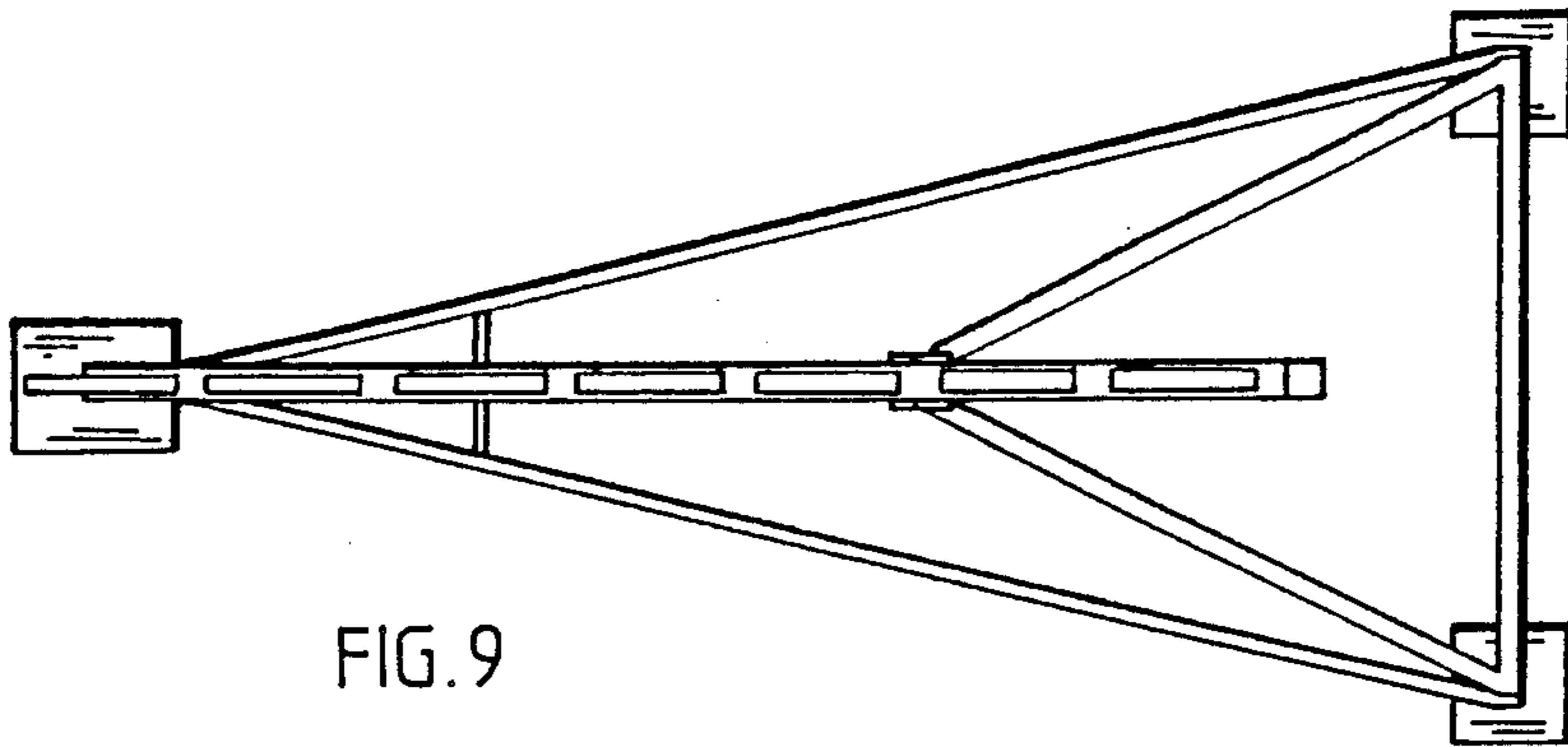


FIG. 9

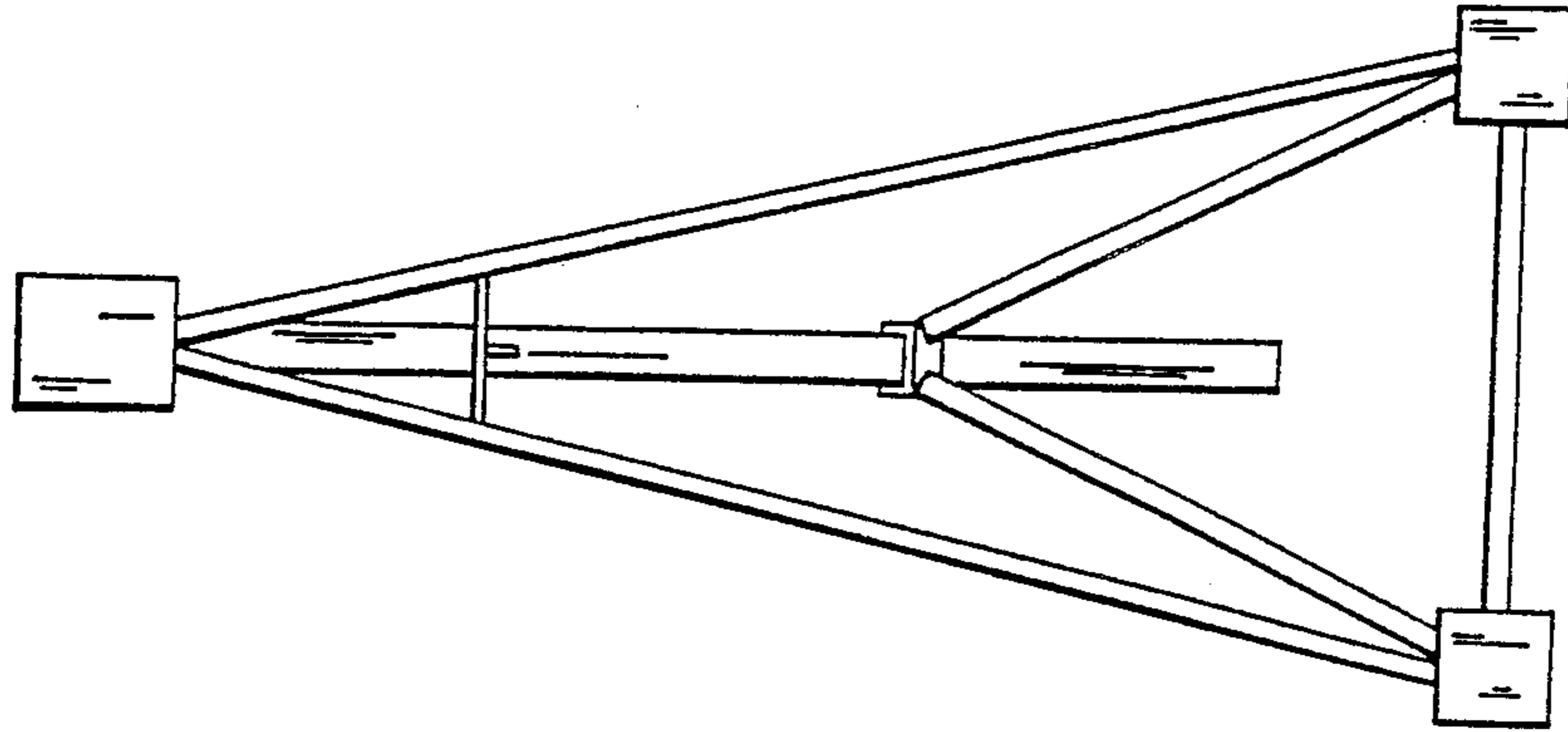


FIG. 10

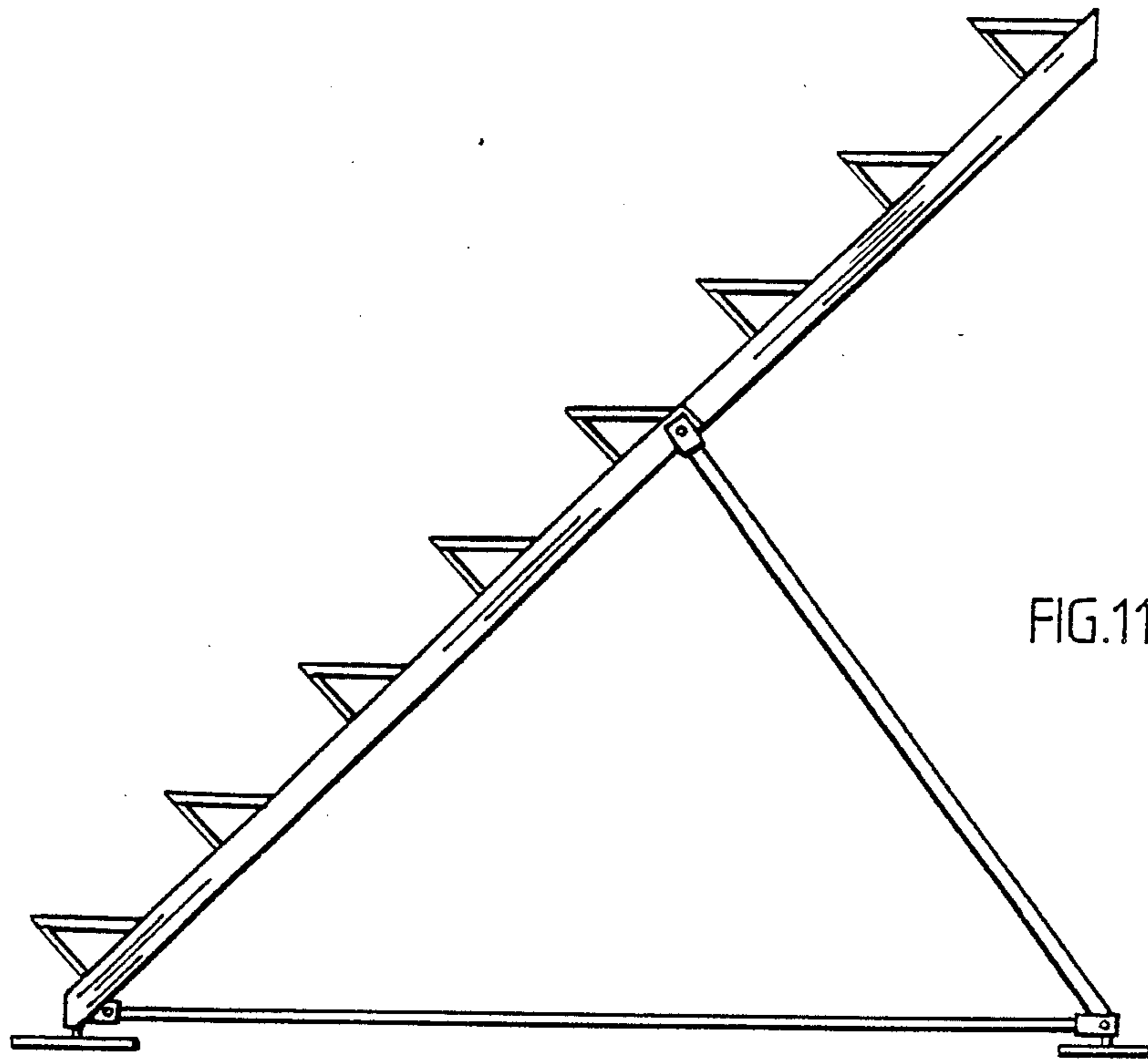
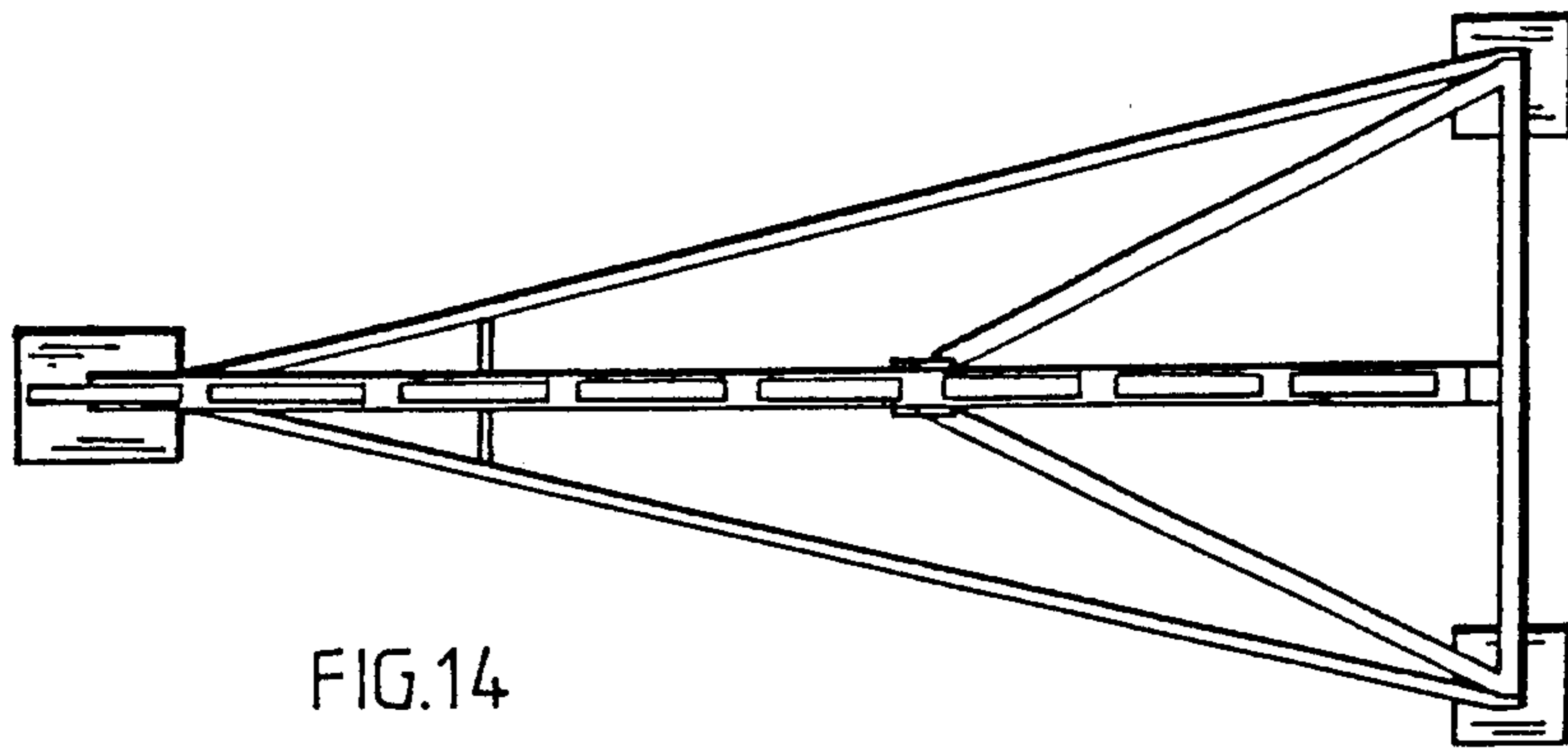
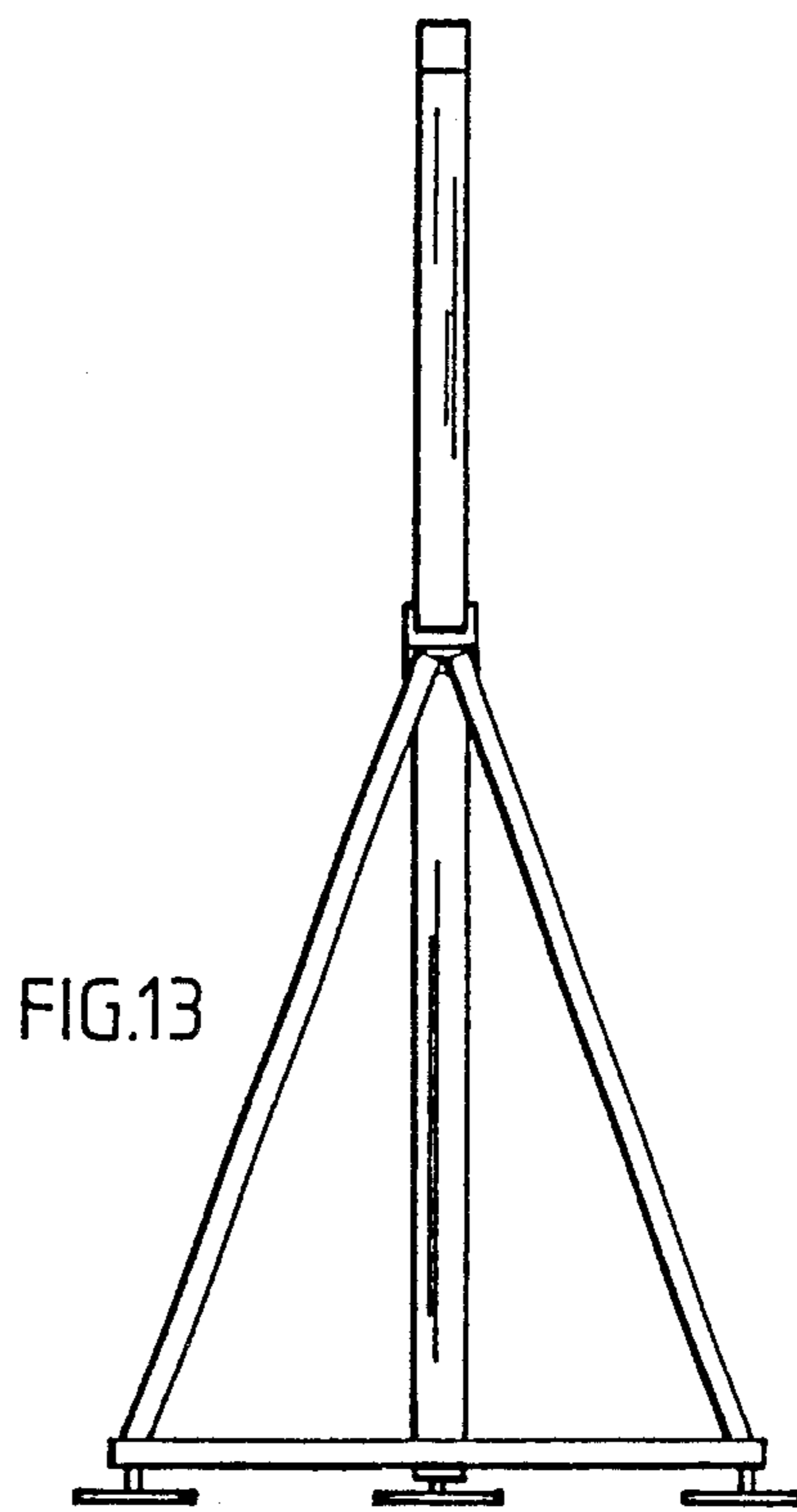
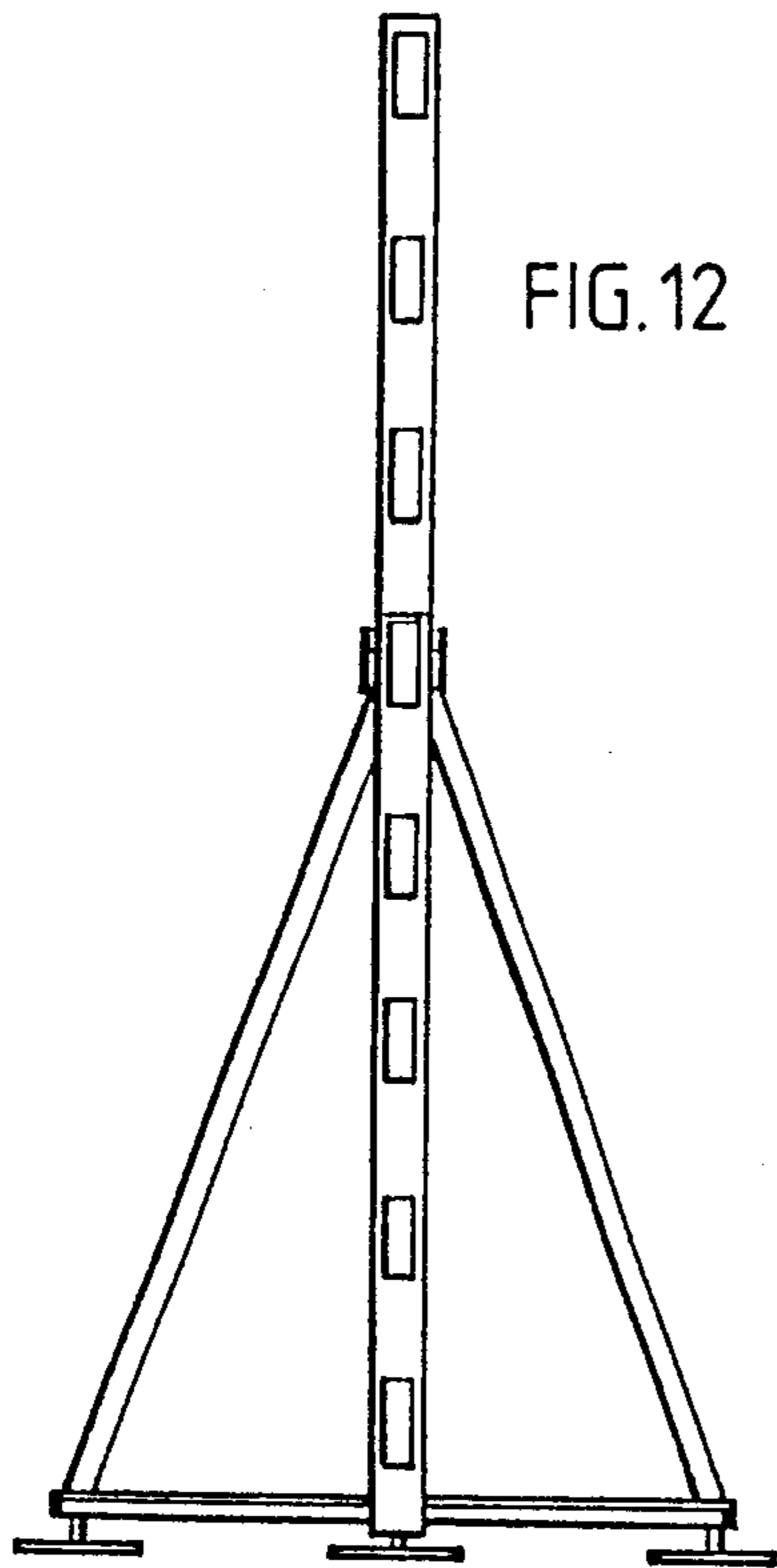


FIG. 11



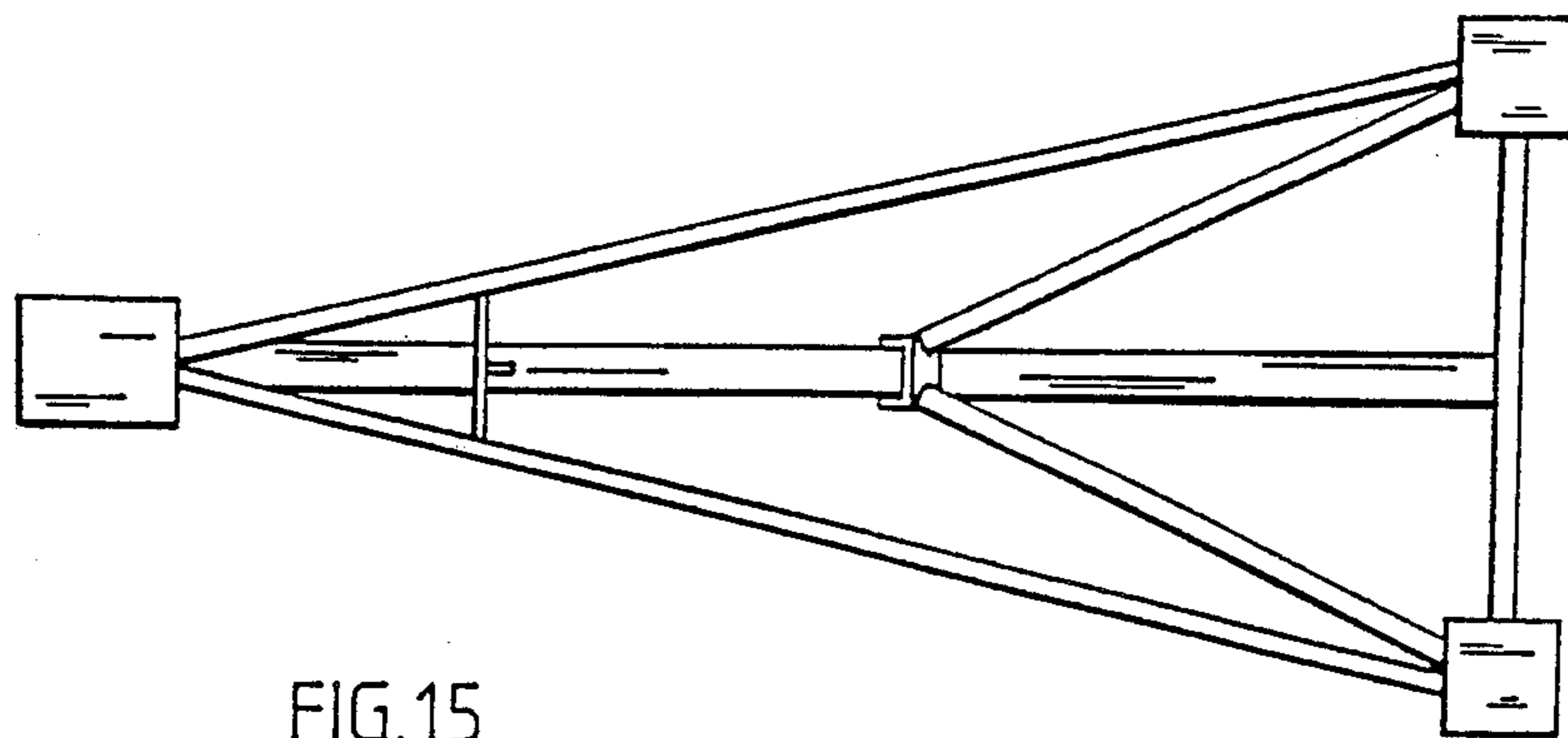


FIG. 15

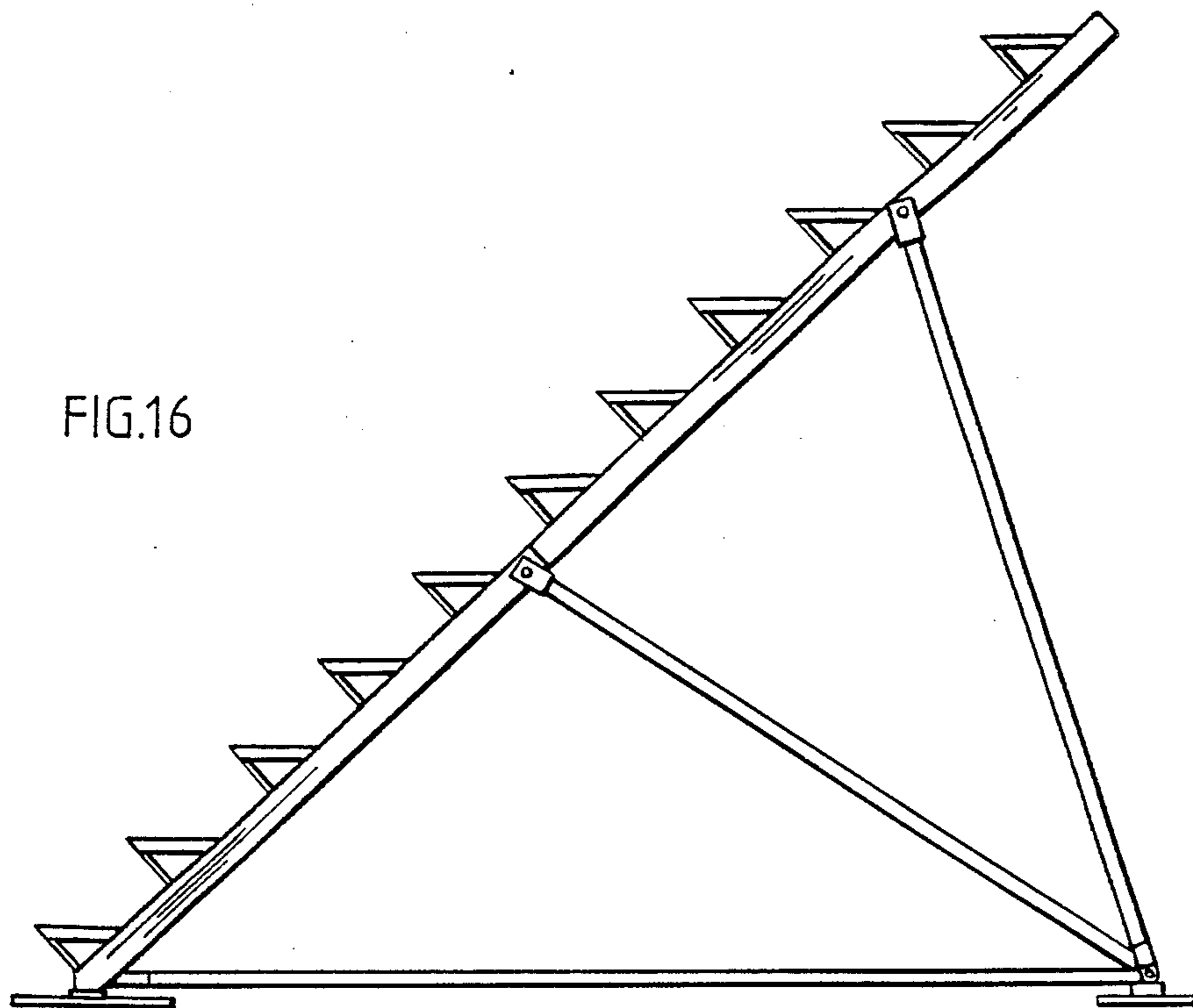
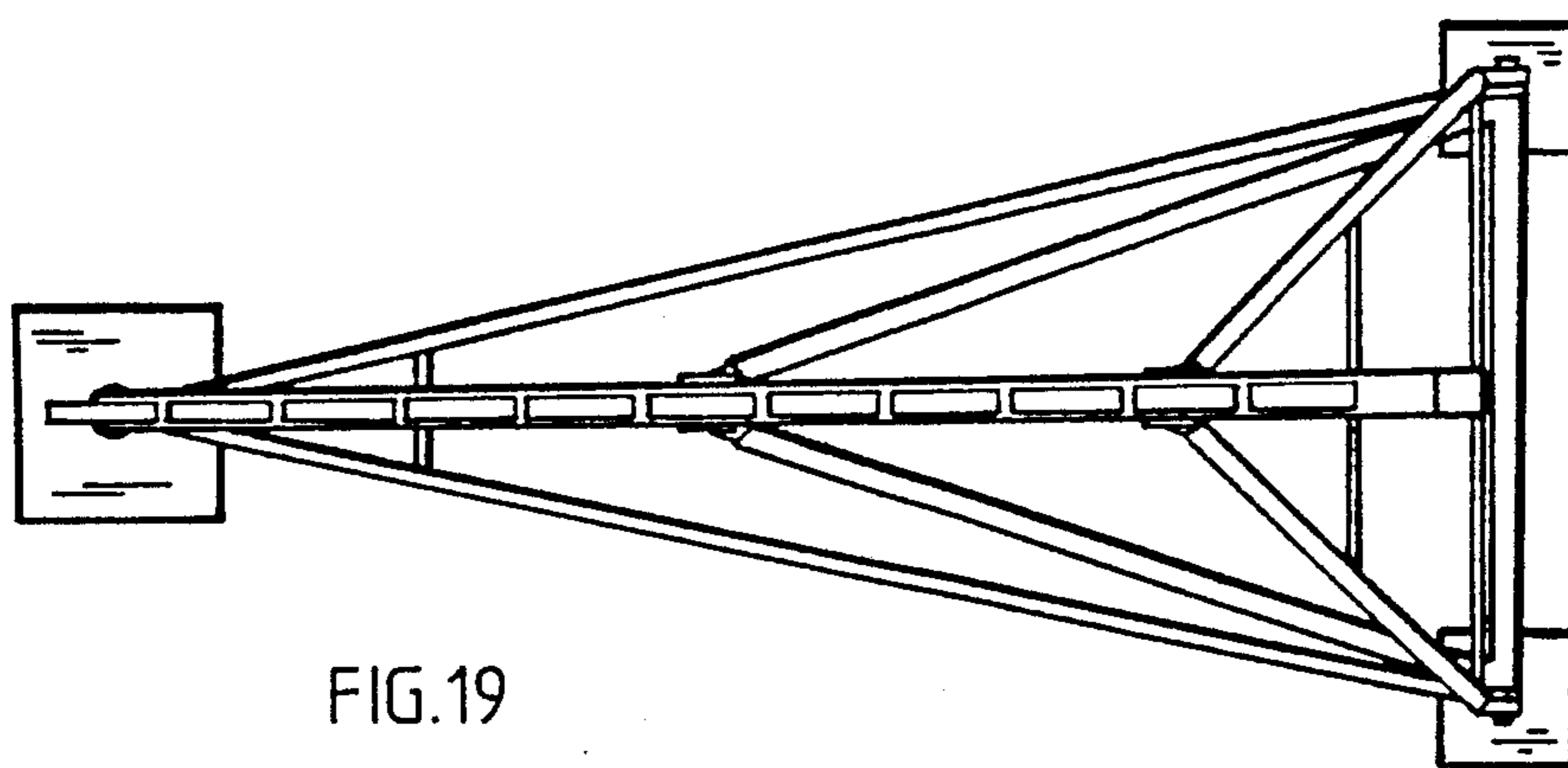
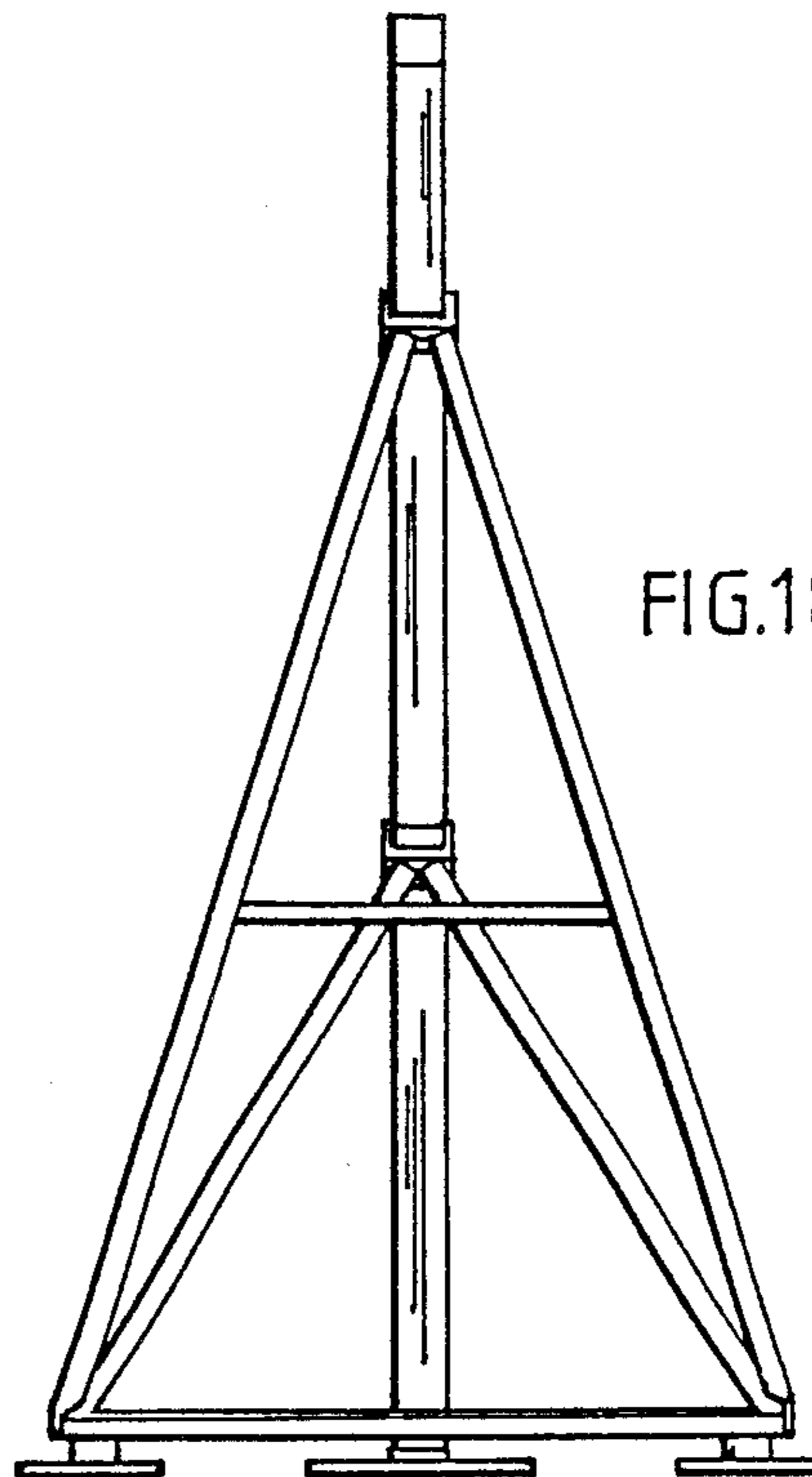
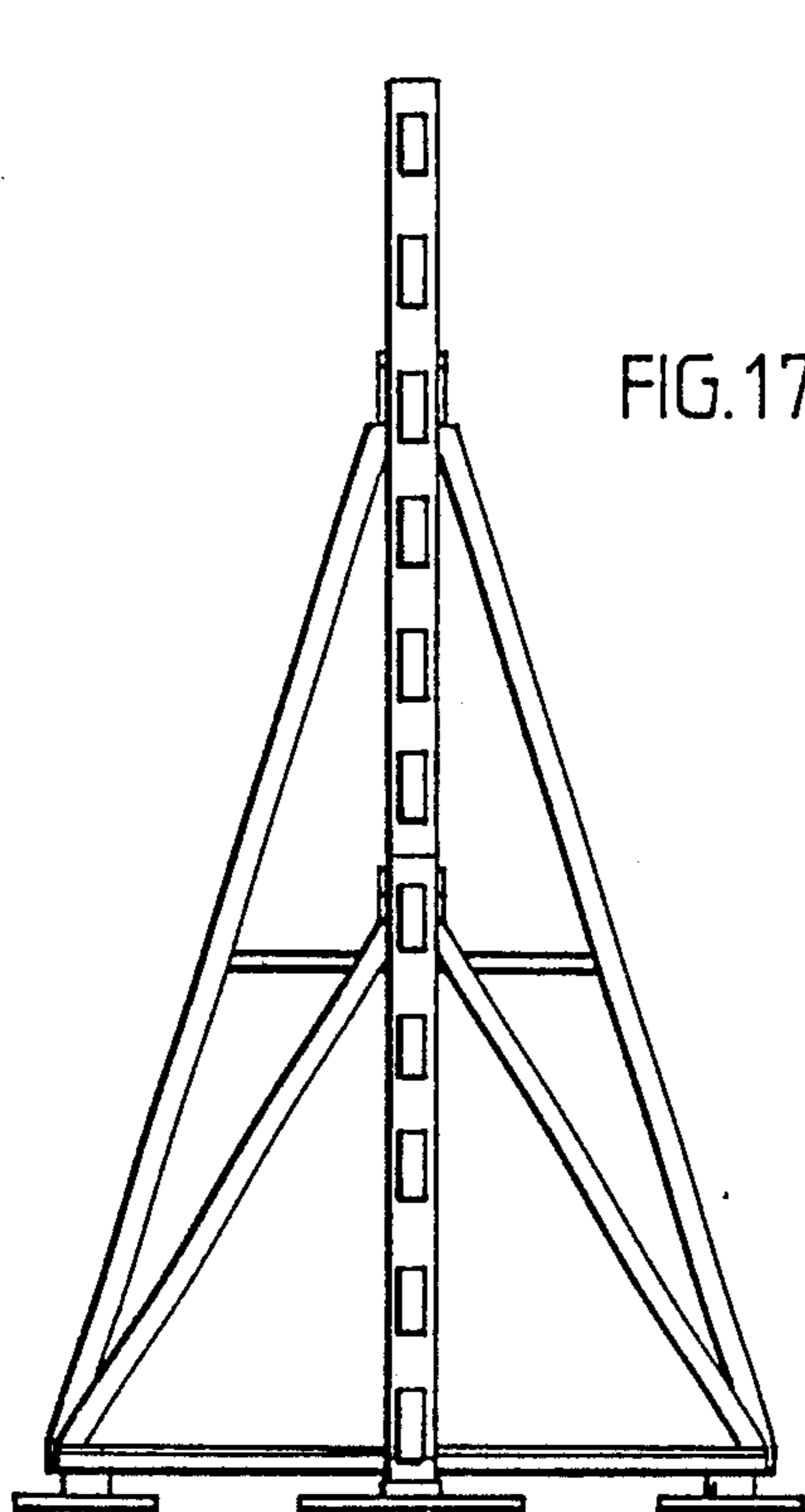


FIG. 16



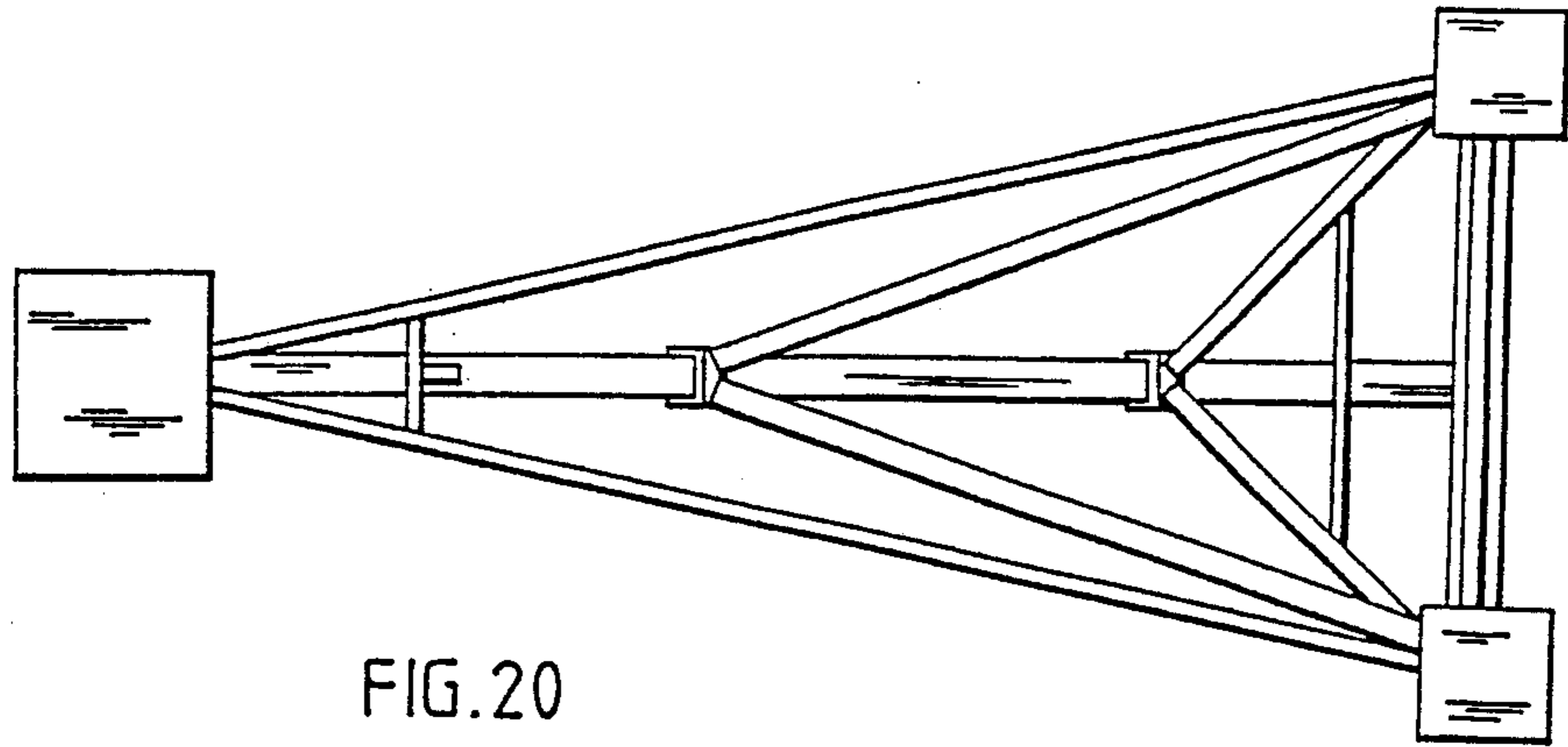


FIG. 20

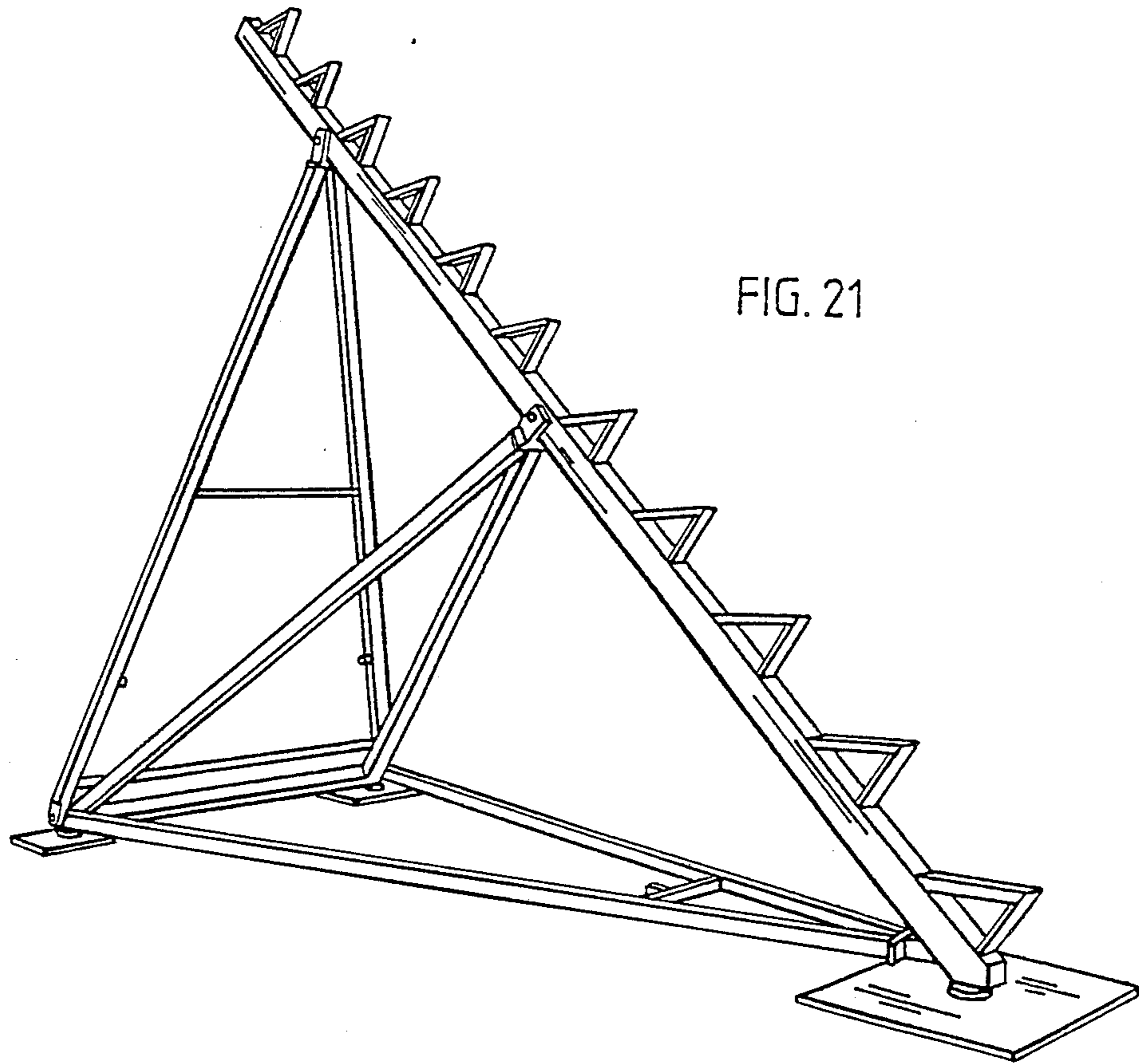


FIG. 21

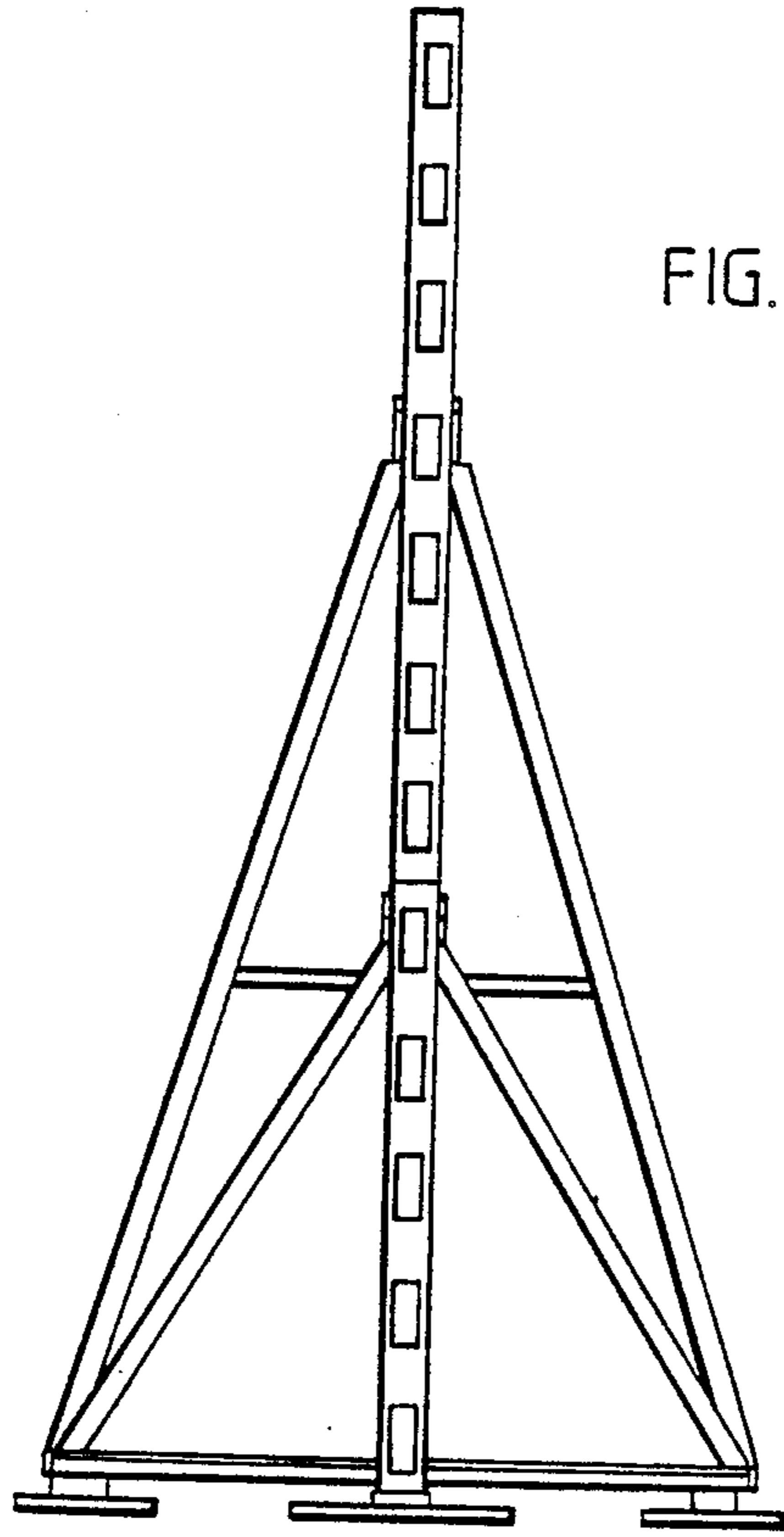


FIG. 23

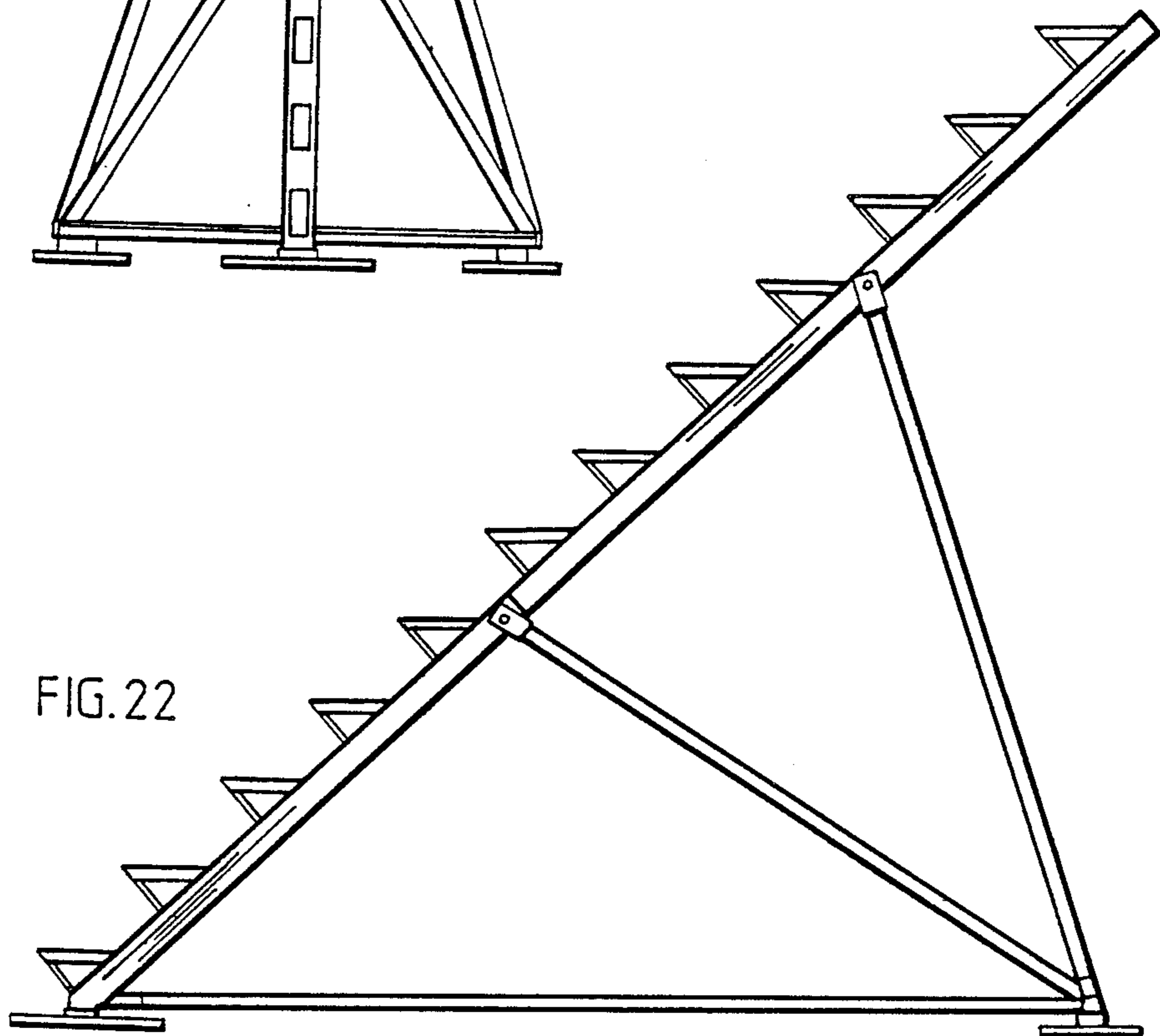


FIG. 22

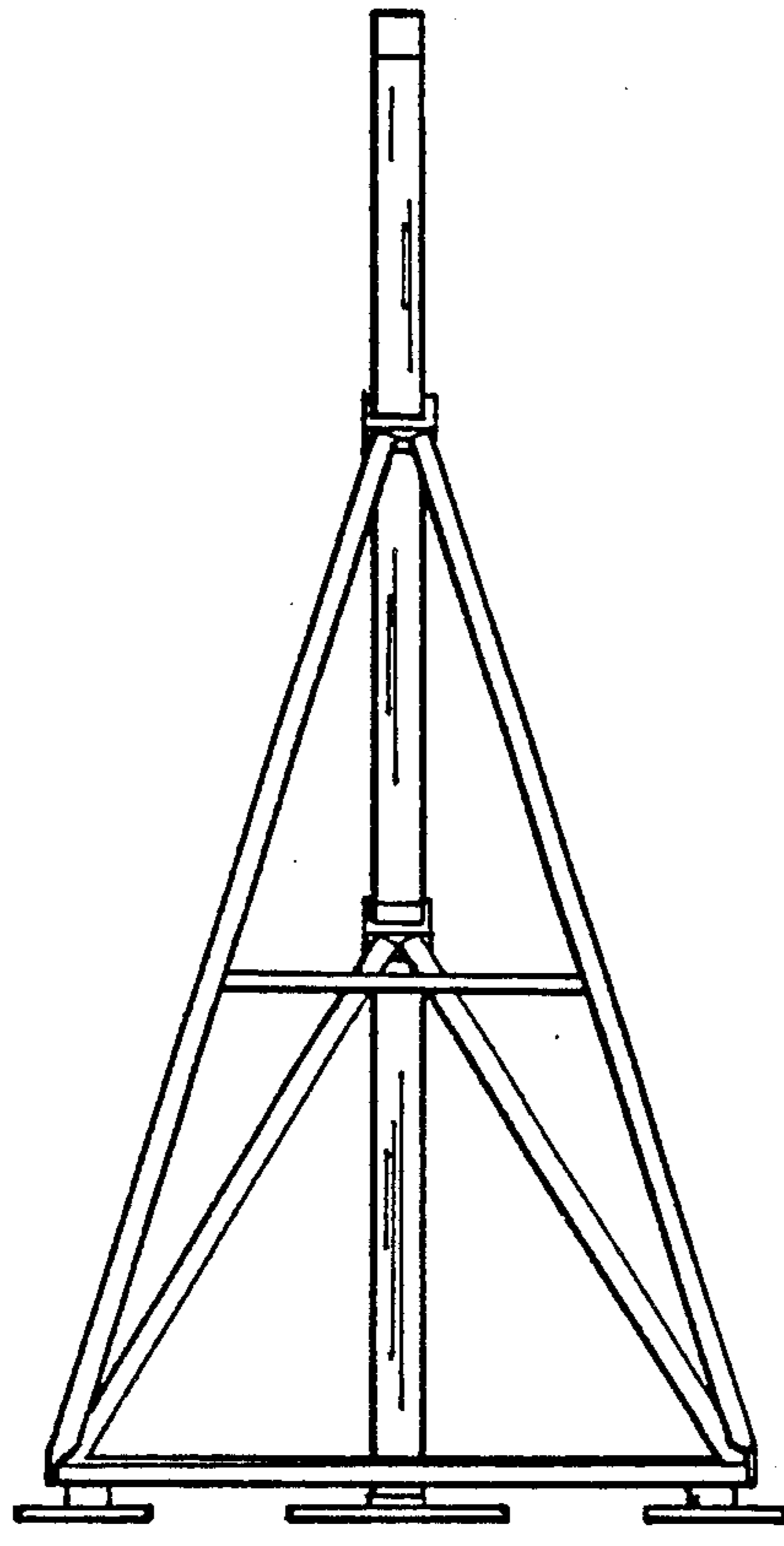


FIG. 24

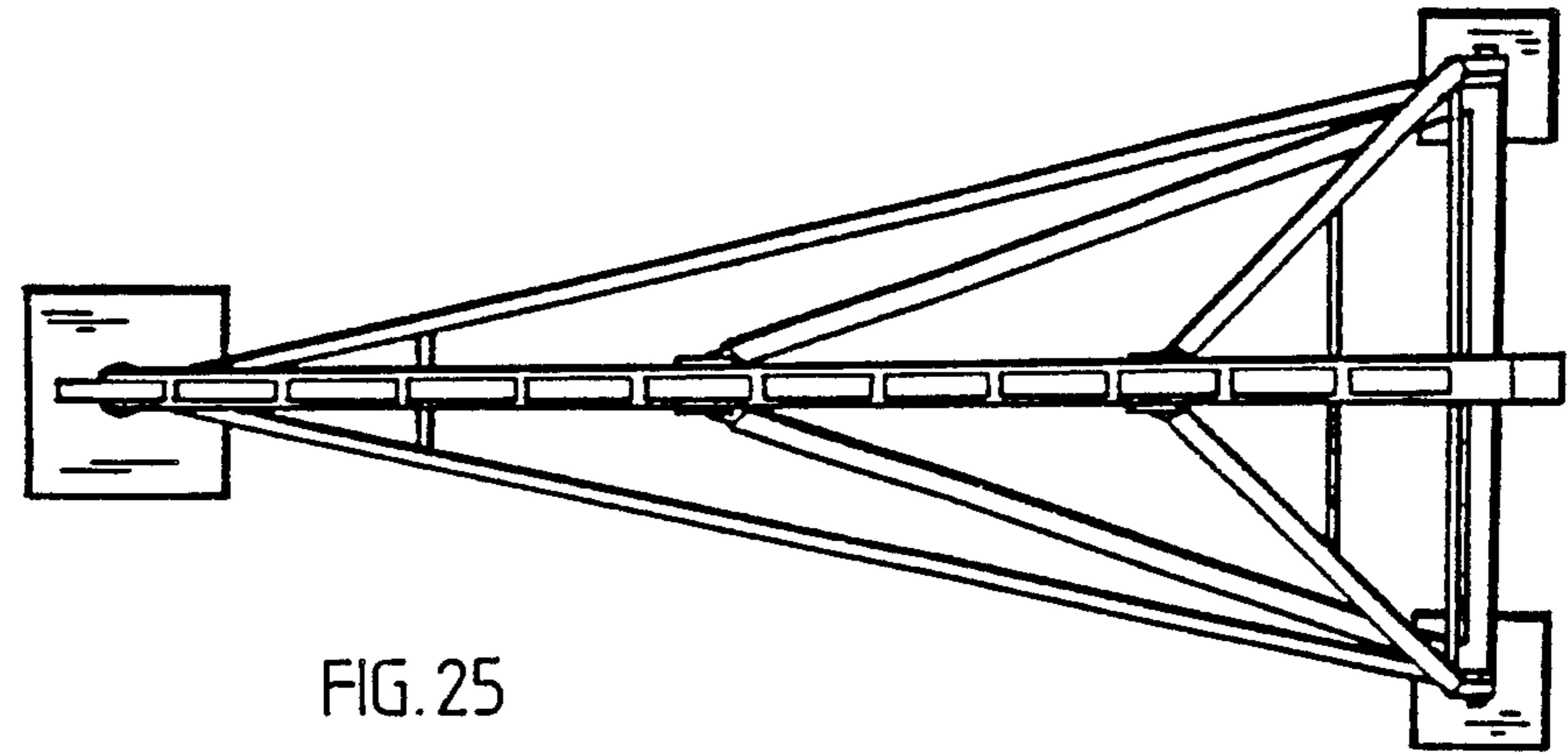


FIG. 25

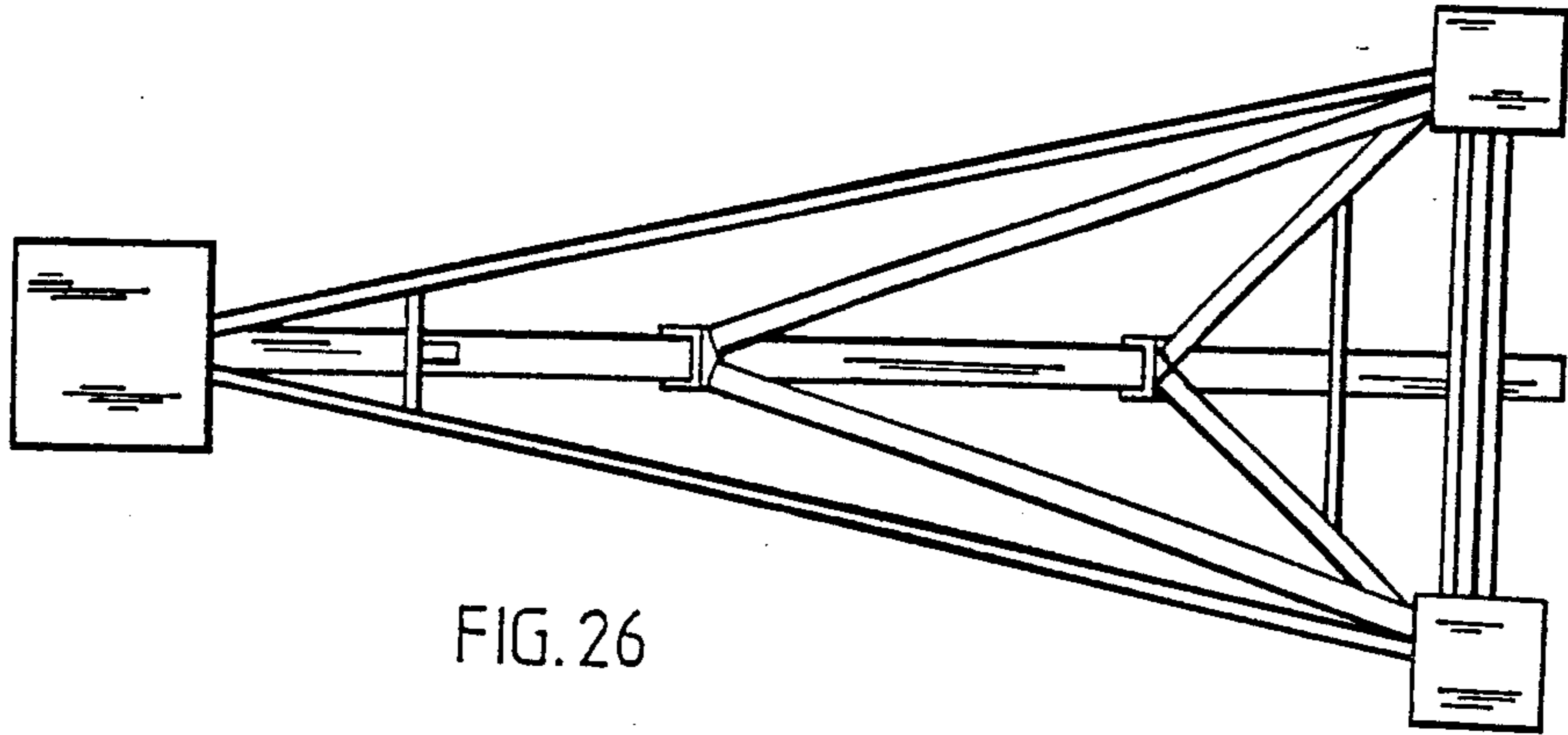


FIG. 26

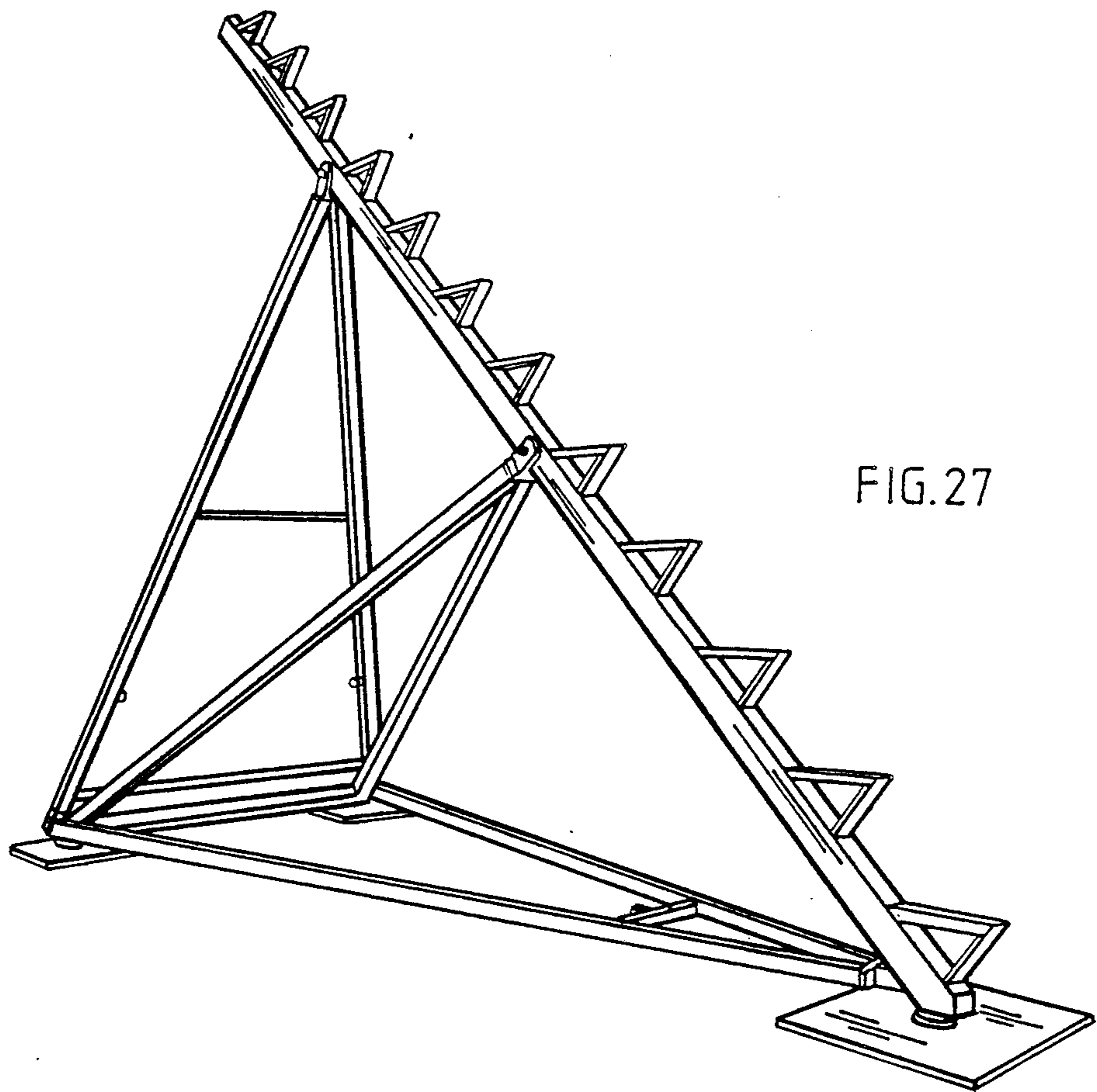


FIG. 27

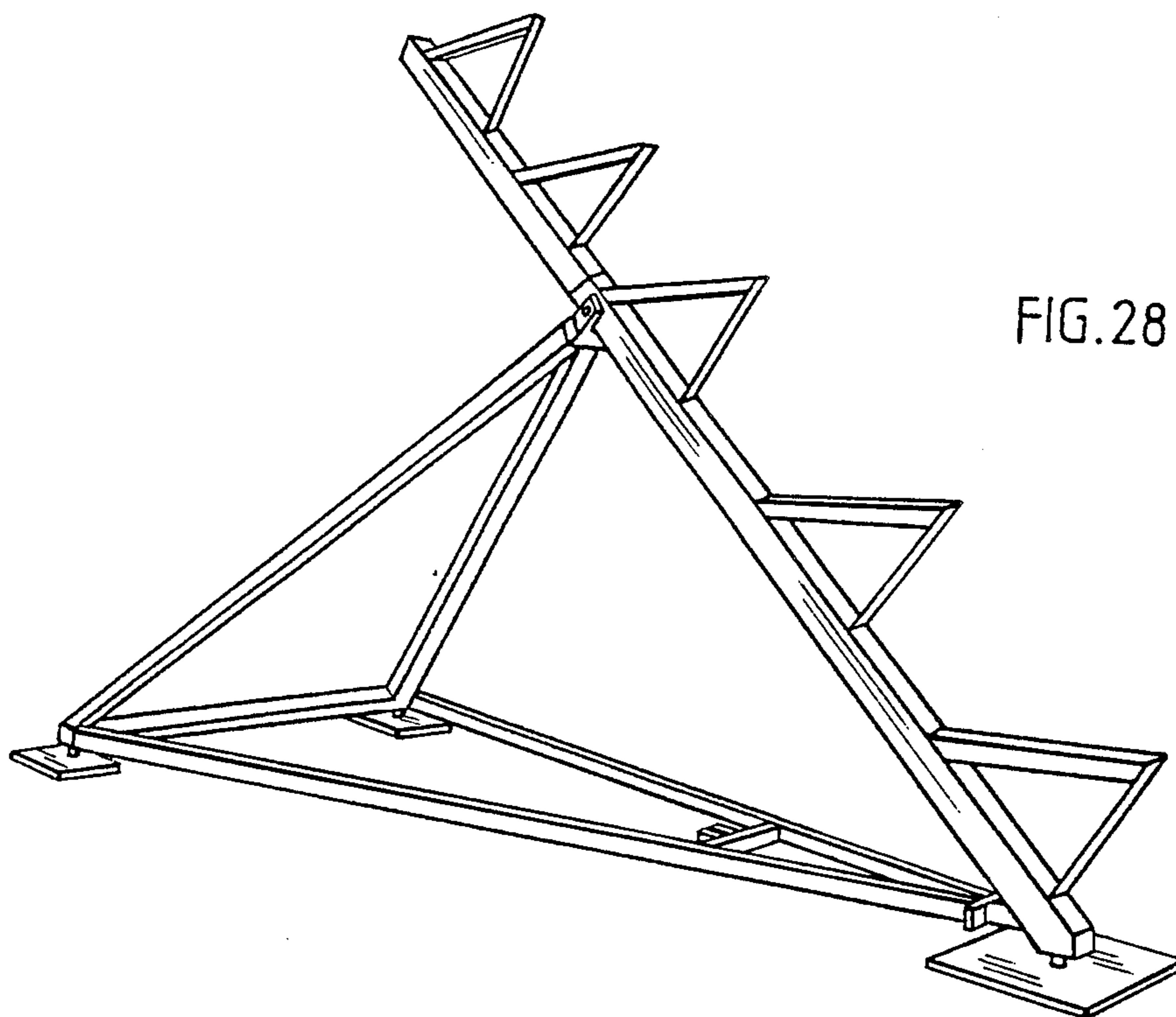


FIG. 28

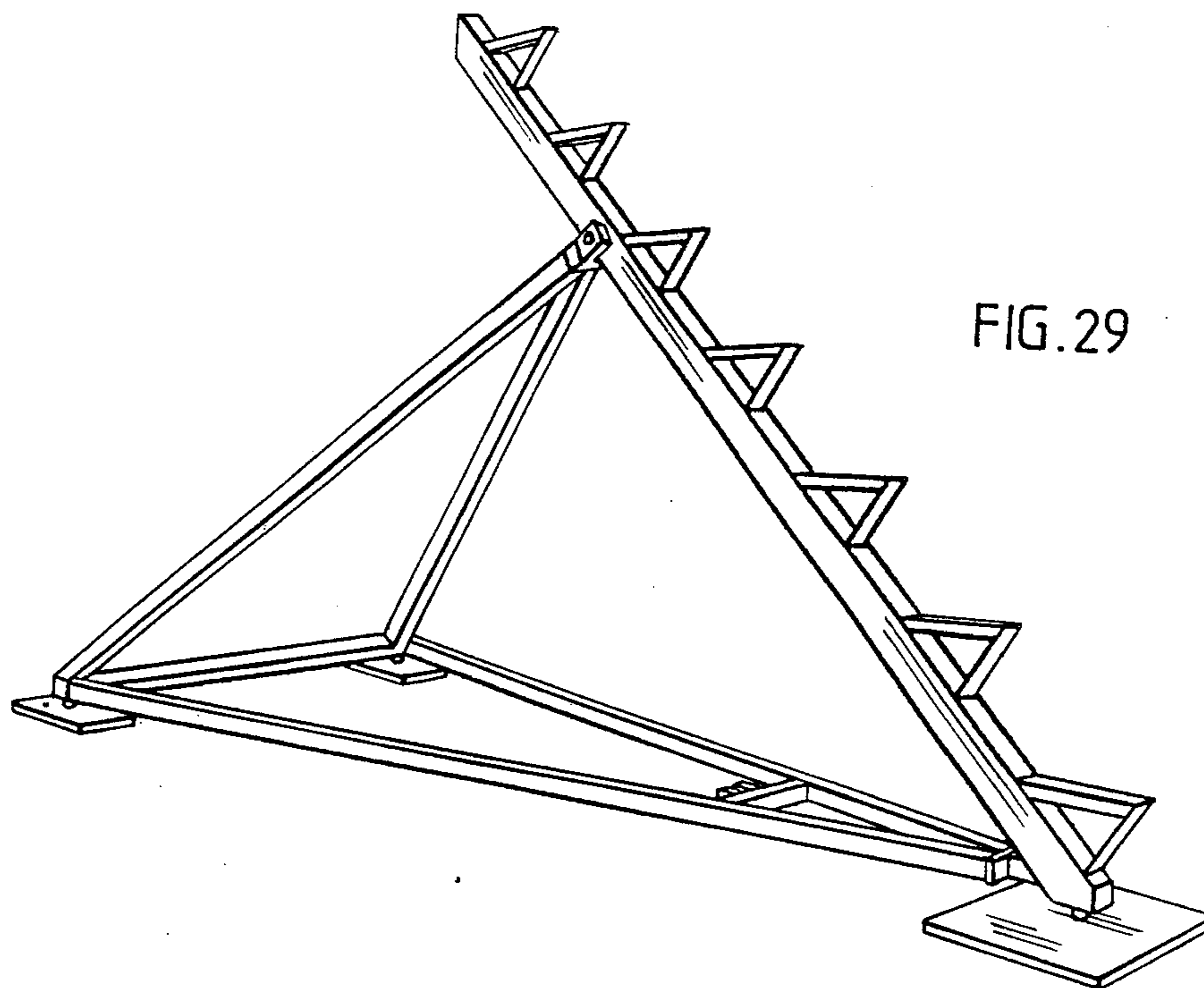


FIG. 29

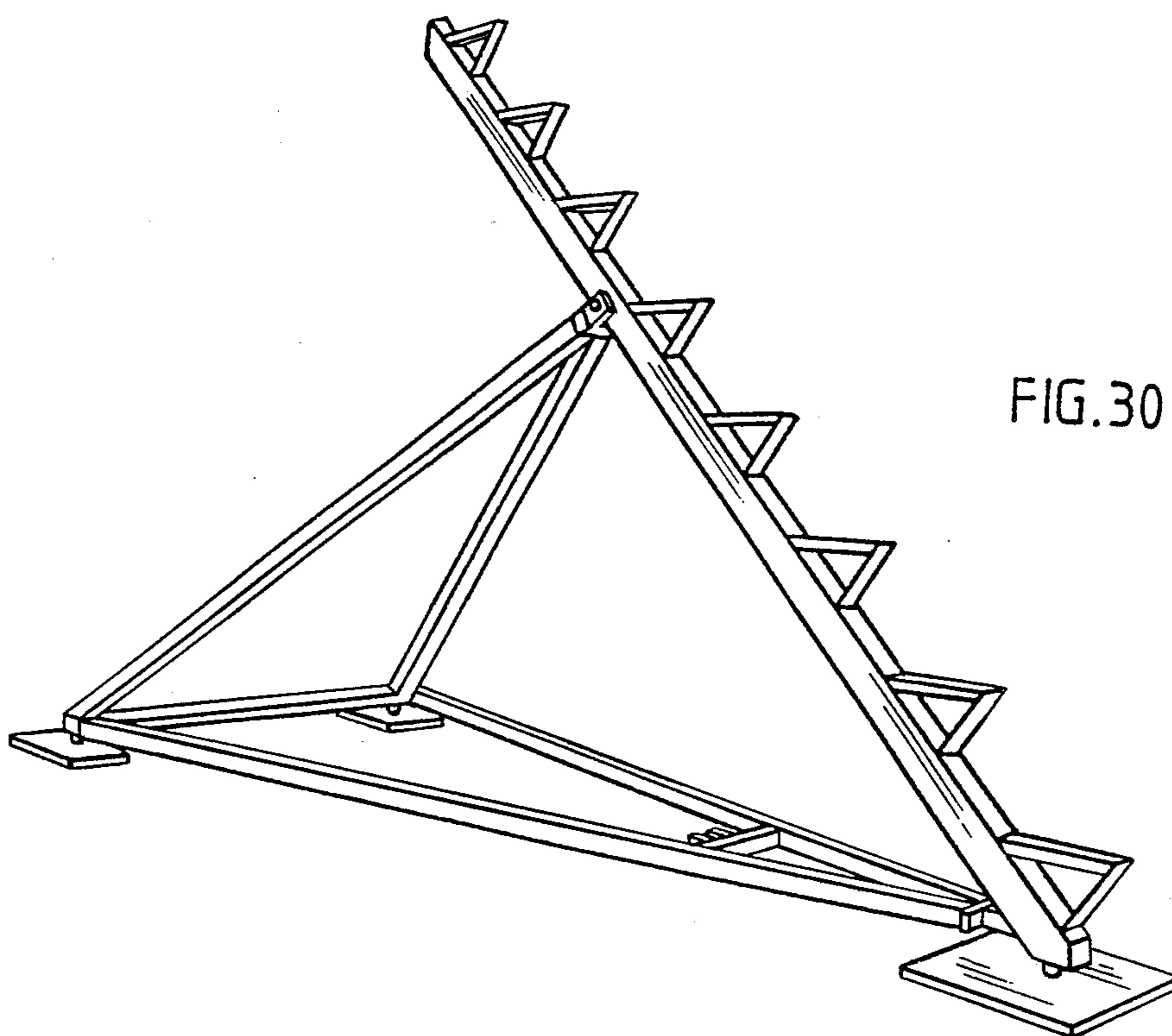


FIG. 30