

[54] **REHABILITATION THERAPY BOARD**

4,337,050 6/1982 Engalitcheff, Jr. .... 434/260

[76] **Inventor: George O. Cotton, 7021 E. Gross Rd.,  
Bloomington, Ind. 47401**

*Primary Examiner*—A. Hugo Word  
*Assistant Examiner*—Stella M. Reid

[\*\*] **Term: 14 Years**

[57] **CLAIM**

[21] **Appl. No.: 121,588**

The ornamental design for a rehabilitation therapy board, as shown and described.

[22] **Filed: Nov. 16, 1987**

**DESCRIPTION**

[52] **U.S. Cl. .... D24/36; D21/52**

[58] **Field of Search .... D24/36, 34, 99;  
434/407, 62, 260; 272/132; D19/62, 59;  
D21/104, 52**

FIG. 1 is a perspective view of a rehabilitation therapy board, showing my new design.

FIG. 2 is a top plan view thereof;

FIG. 3 is a side elevational view thereof as viewed from the right side in FIG. 2;

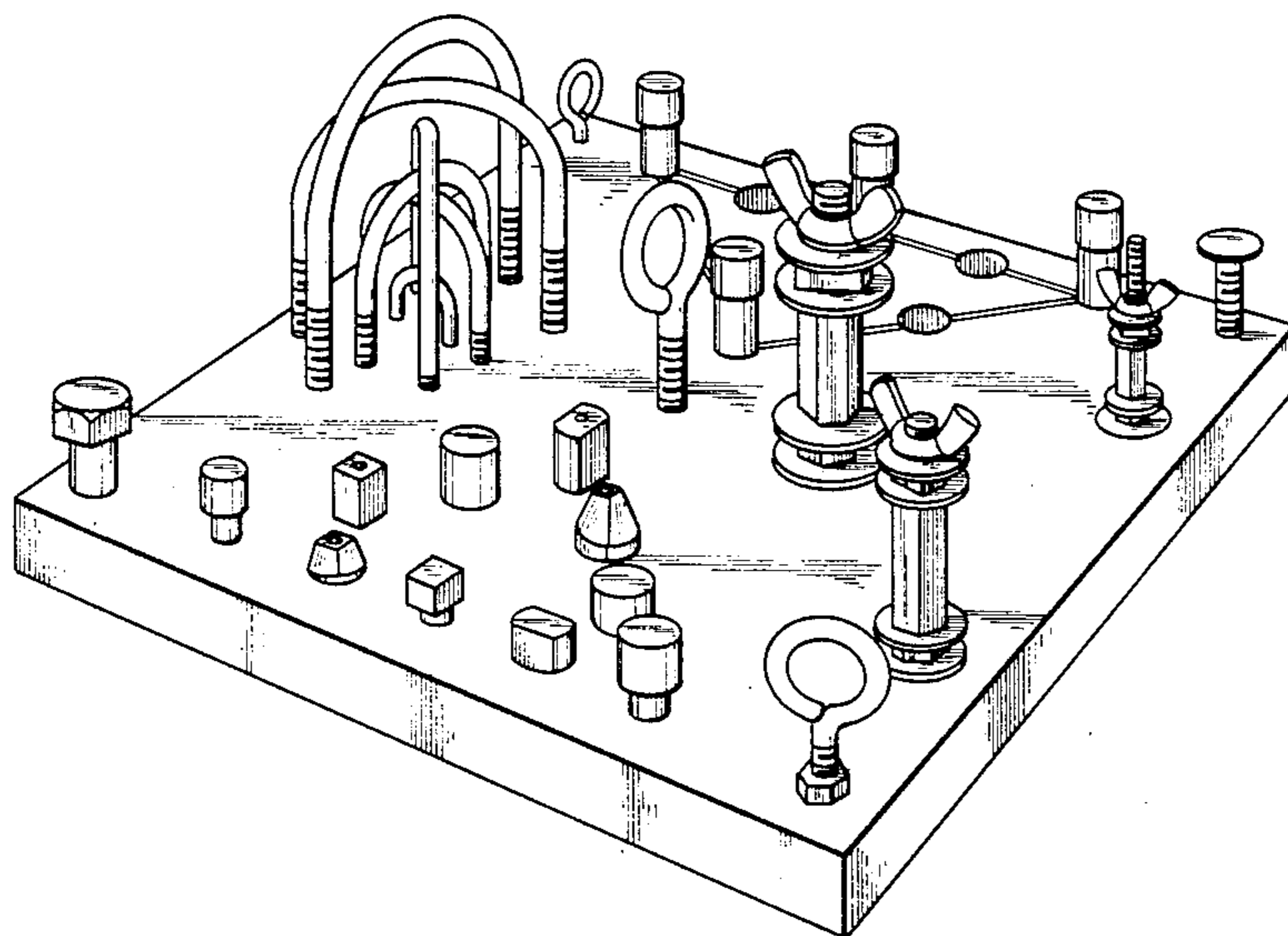
FIG. 4 is a front elevational view as viewed from the bottom of FIG. 2.

[56] **References Cited**

**U.S. PATENT DOCUMENTS**

D. 281,083 10/1985 Gabriel ..... D19/62

The bottom is flat and unornamented.



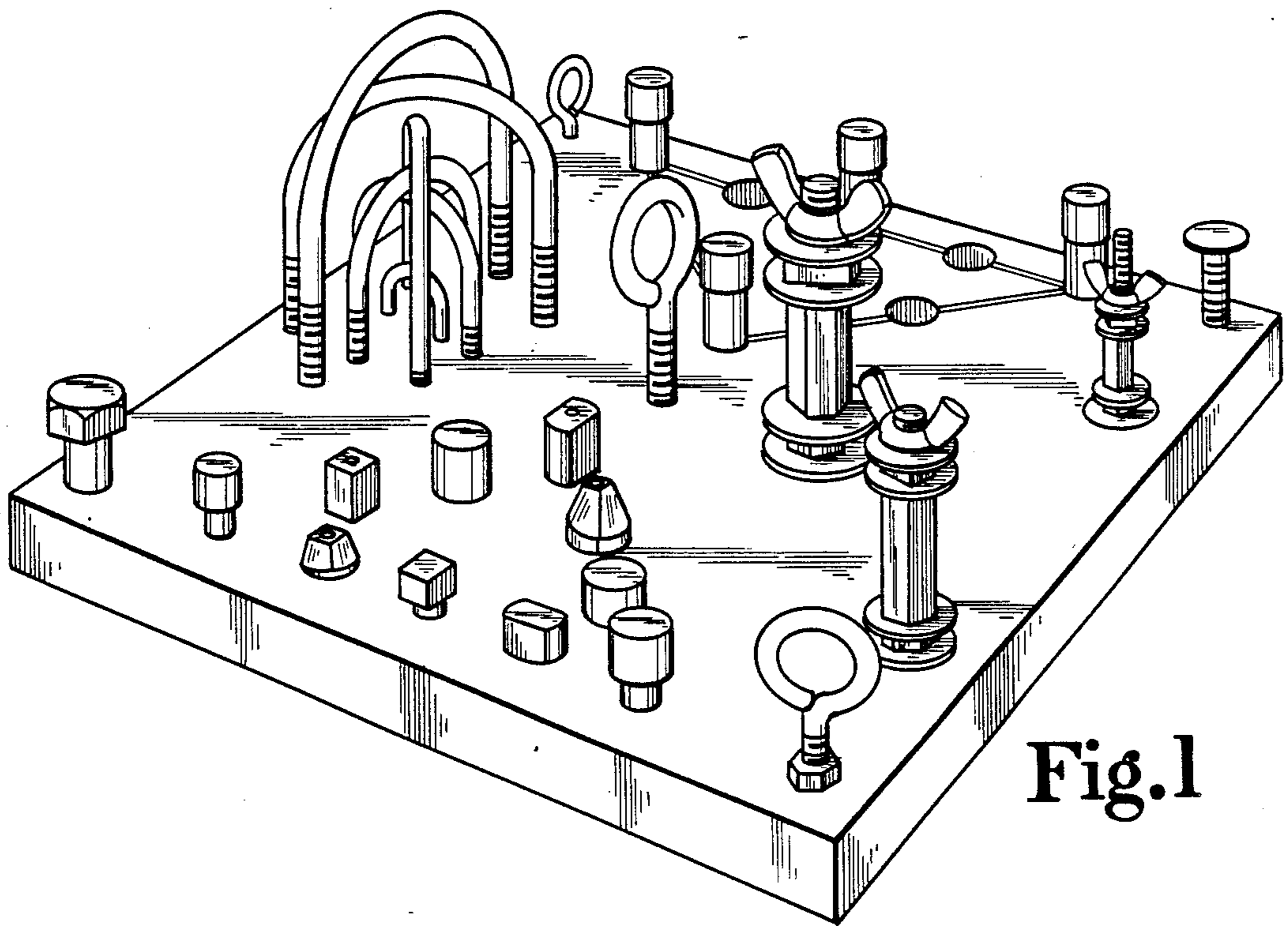


Fig. 1

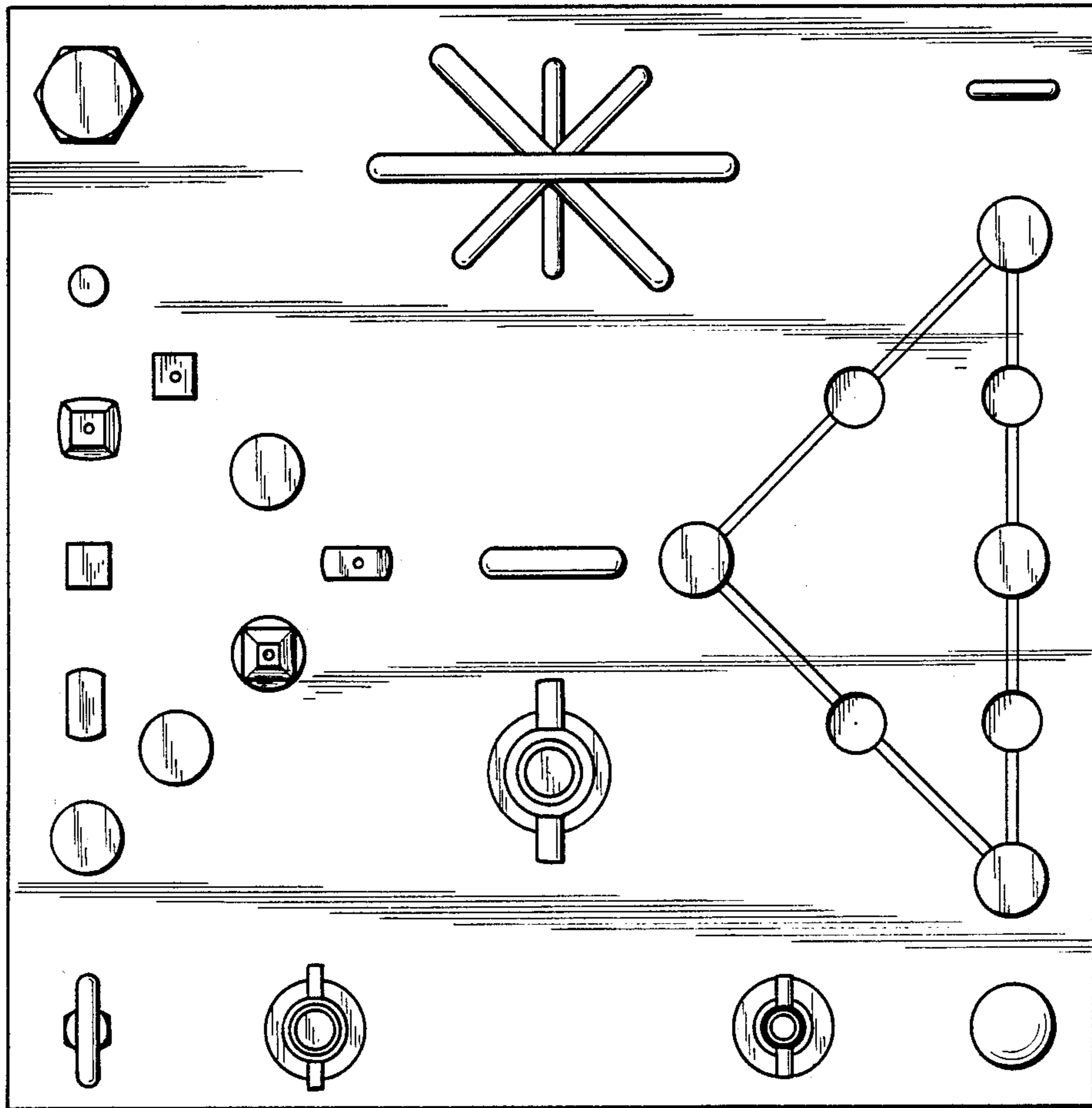


Fig. 2

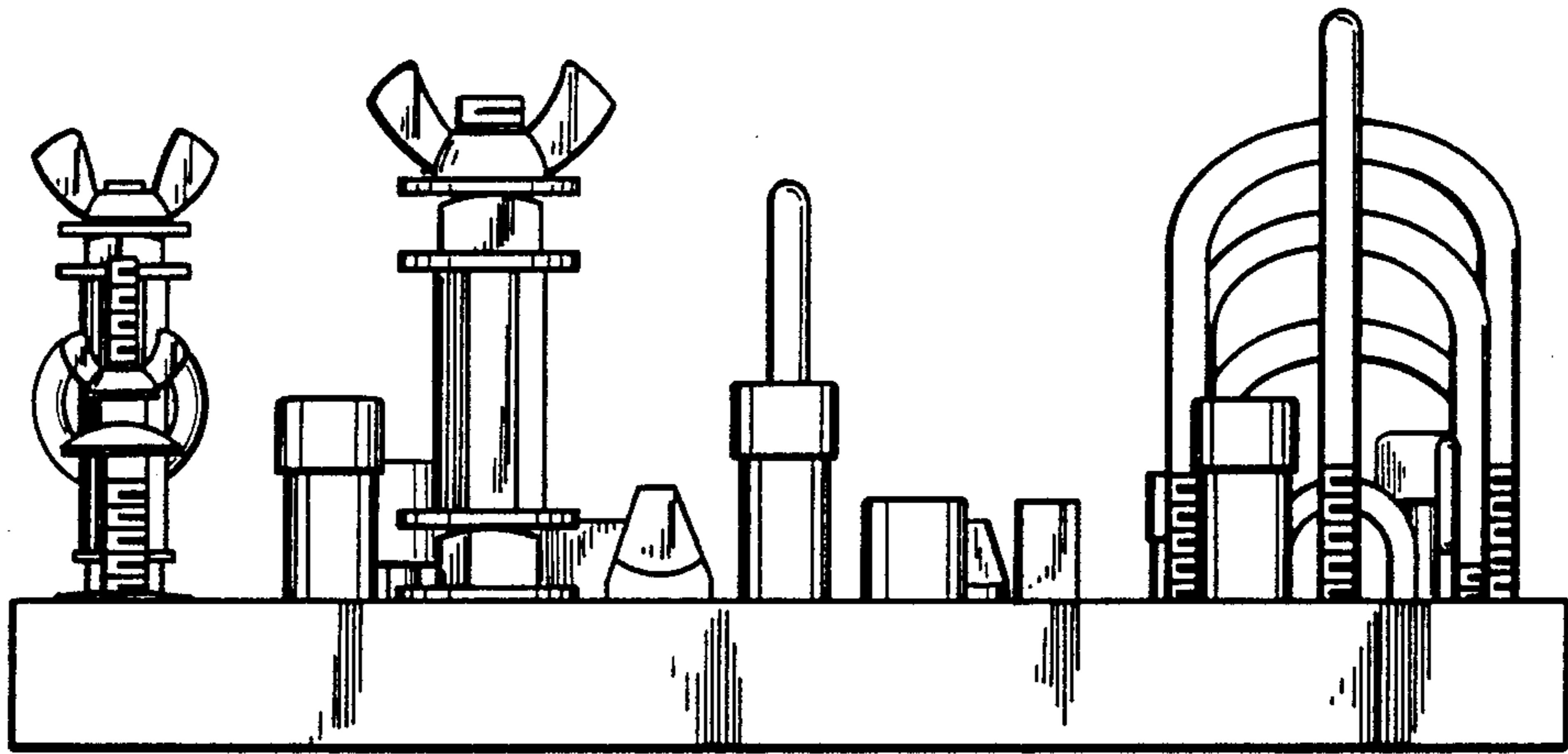


Fig. 3

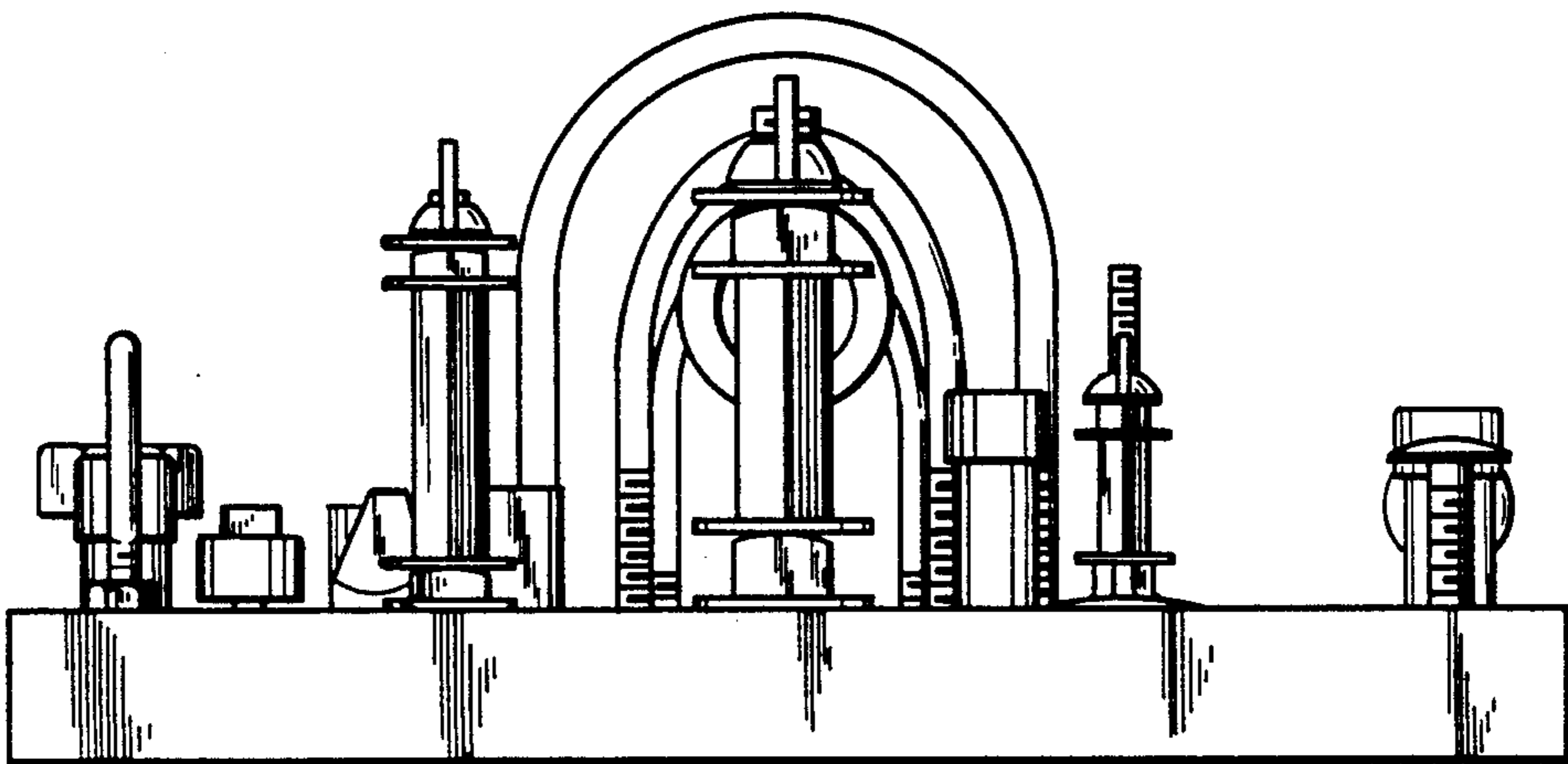


Fig. 4