

[54] LUMBAR INTERBODY GRAFT DRIVER

DESCRIPTION

[76] Inventor: Gary K. Michelson, 438 Sherman Canal, Venice, Calif. 90291

[**] Term: 14 Years

[21] Appl. No.: 121,594

[22] Filed: Nov. 16, 1987

[52] U.S. Cl. D24/26

[58] Field of Search D24/26, 27, 28; 606/102, 104, 84, 87, 80, 56, 96, 90, 61; 623/17; D8/14, 47, 83, 94, 107

[56] References Cited

U.S. PATENT DOCUMENTS

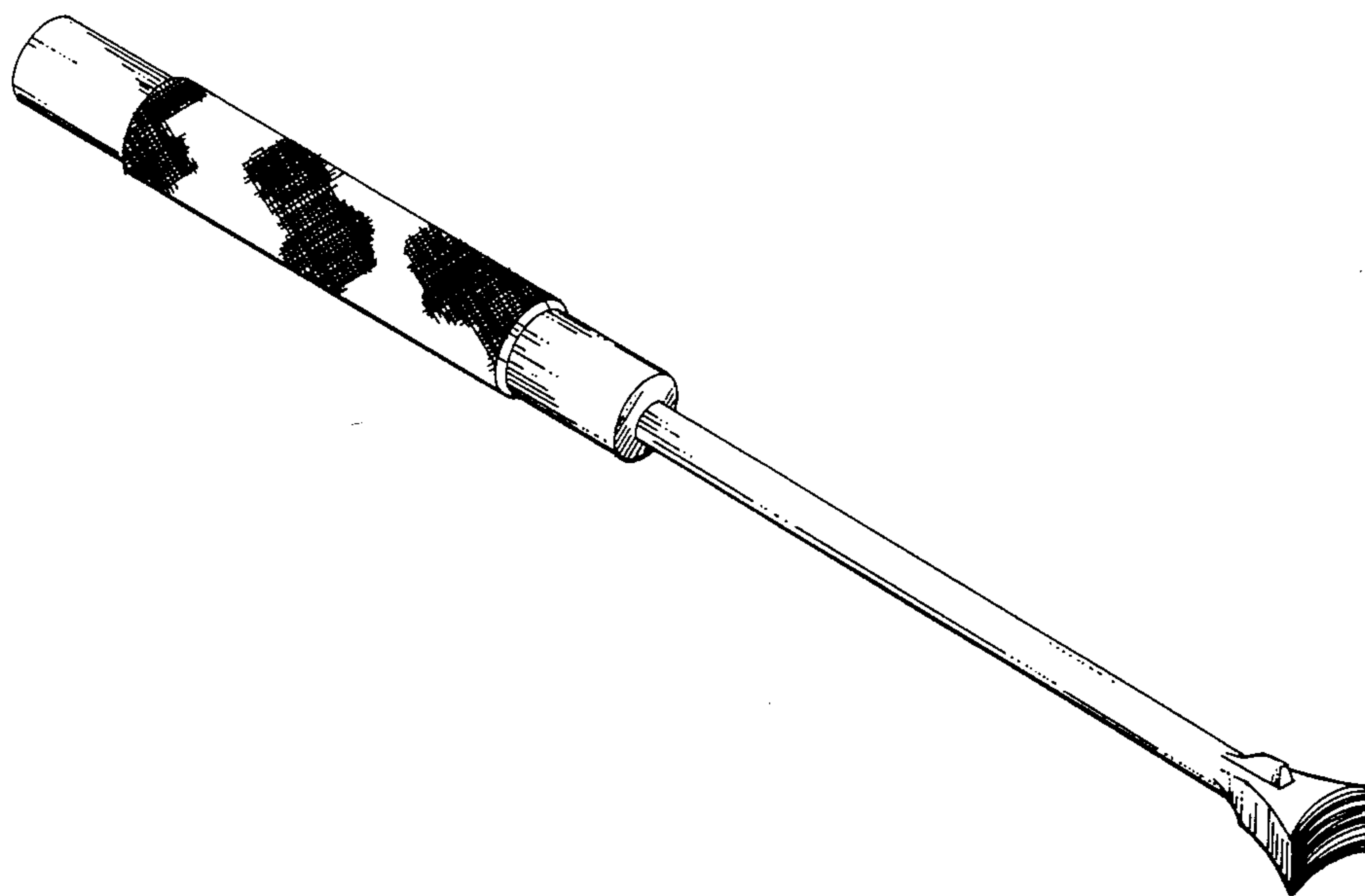
D. 245,919	9/1977	Shen	D24/26
D. 249,705	9/1978	London	D24/26
3,486,505	12/1969	Morrison	606/90
4,566,466	1/1986	Ripple et al.	623/17 X

Primary Examiner—A. Hugo Word
Assistant Examiner—Stella M. Reid
Attorney, Agent, or Firm—Lewis Anten

[57] CLAIM

The ornamental design for a lumbar interbody graft driver, as shown and described.

FIG. 1 is a right perspective view of a lumbar interbody graft driver, showing my new design;
 FIG. 2 is a right side elevational view thereof, the left side elevational view being identical thereto;
 FIG. 3 is a top plan view thereof, the bottom plan view being identical thereto;
 FIG. 4 is a left end elevational view thereof;
 FIG. 5 is a right end elevational view thereof;
 FIG. 6 is a right perspective view of a second embodiment of FIG. 1;
 FIG. 7 is a right side elevational view thereof, the left side elevational view being identical thereto;
 FIG. 8 is a top plan view thereof, the bottom plan view being identical thereto;
 FIG. 9 is a left end elevational view thereof;
 FIG. 10 is a right end elevational view thereof;
 FIG. 11 is a right perspective view of a third embodiment of FIG. 1;
 FIG. 12 is a right side elevational view thereof, the left side elevational view being identical thereto;
 FIG. 13 is a top plan view thereof, the bottom plan view being identical thereto;
 FIG. 14 is a left end elevational view thereof;
 FIG. 15 is a right end elevational view thereof;
 FIG. 16 is a right perspective view of a fourth embodiment of FIG. 1;
 FIG. 17 is a right side elevational view thereof, the left side elevational view being identical thereto;
 FIG. 18 is a top plan view thereof, the bottom plan view being identical thereto;
 FIG. 19 is a left end elevational view thereof; and
 FIG. 20 is a right end elevational view thereof.



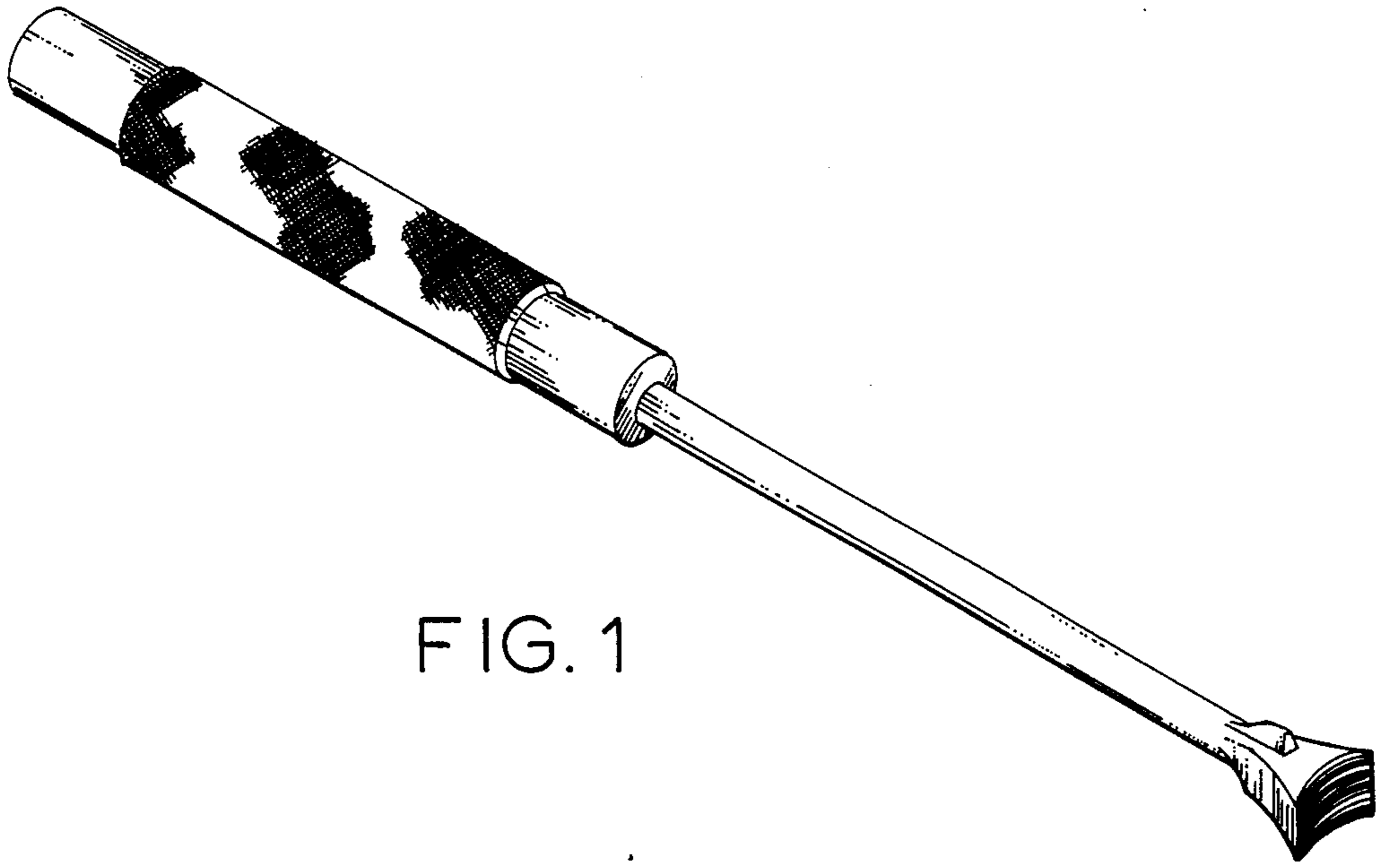


FIG. 1

FIG. 2

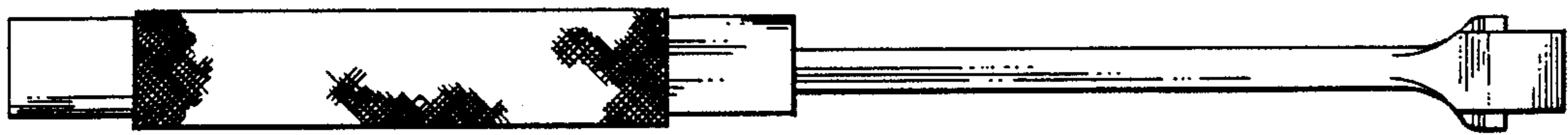


FIG. 3

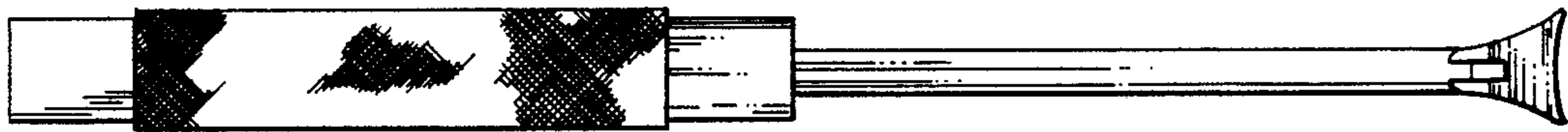


FIG. 4



FIG. 5

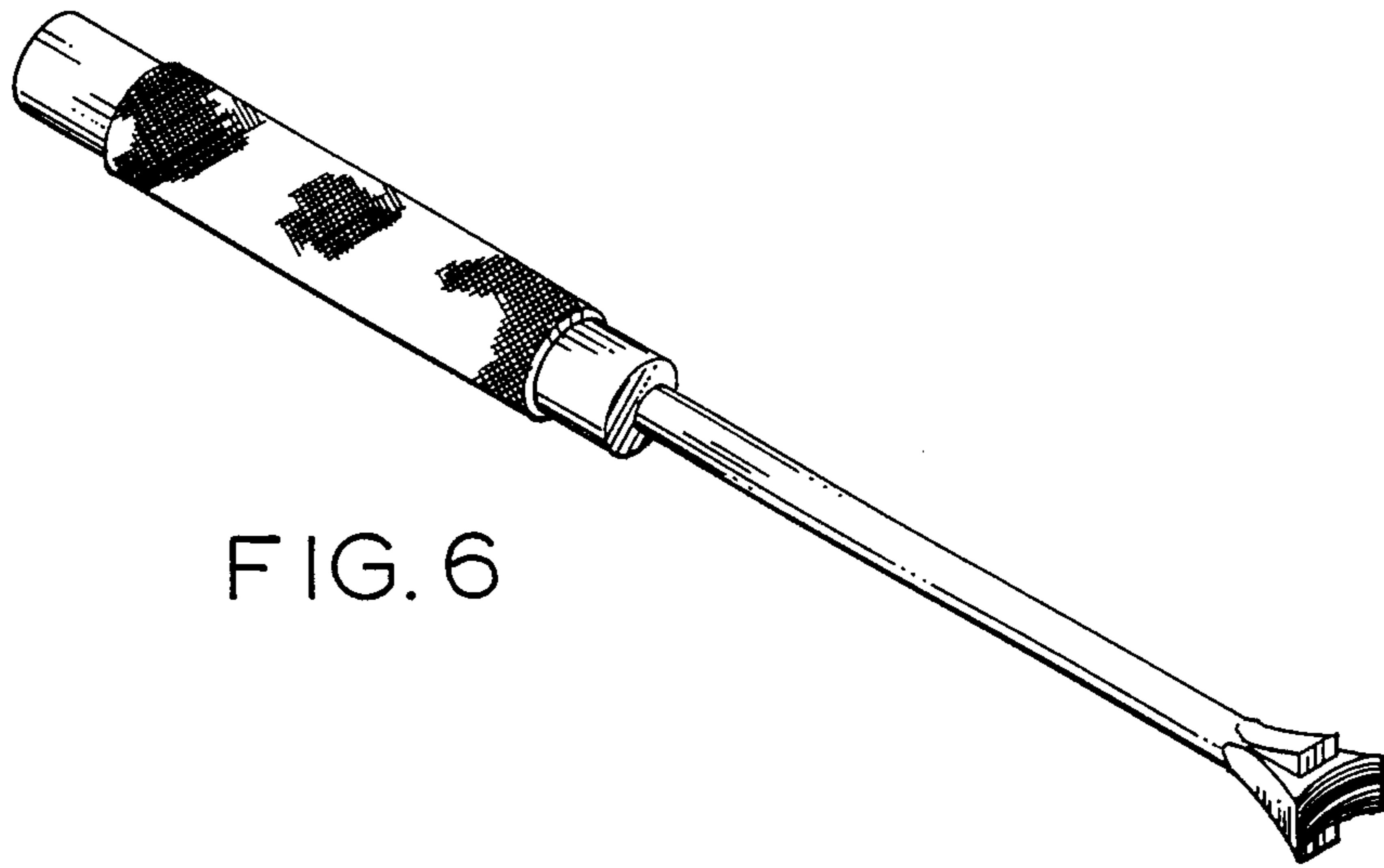


FIG. 6

FIG. 7

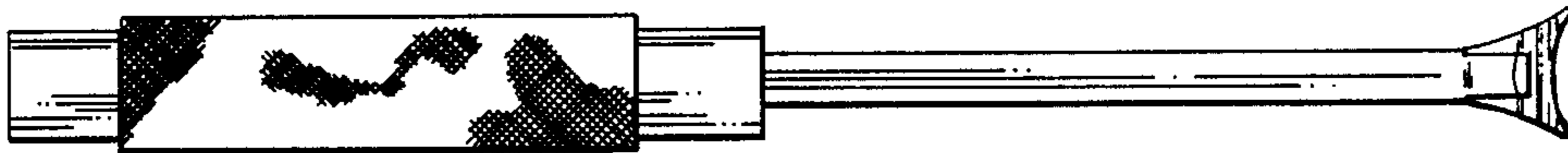


FIG. 8



FIG. 9



FIG. 10

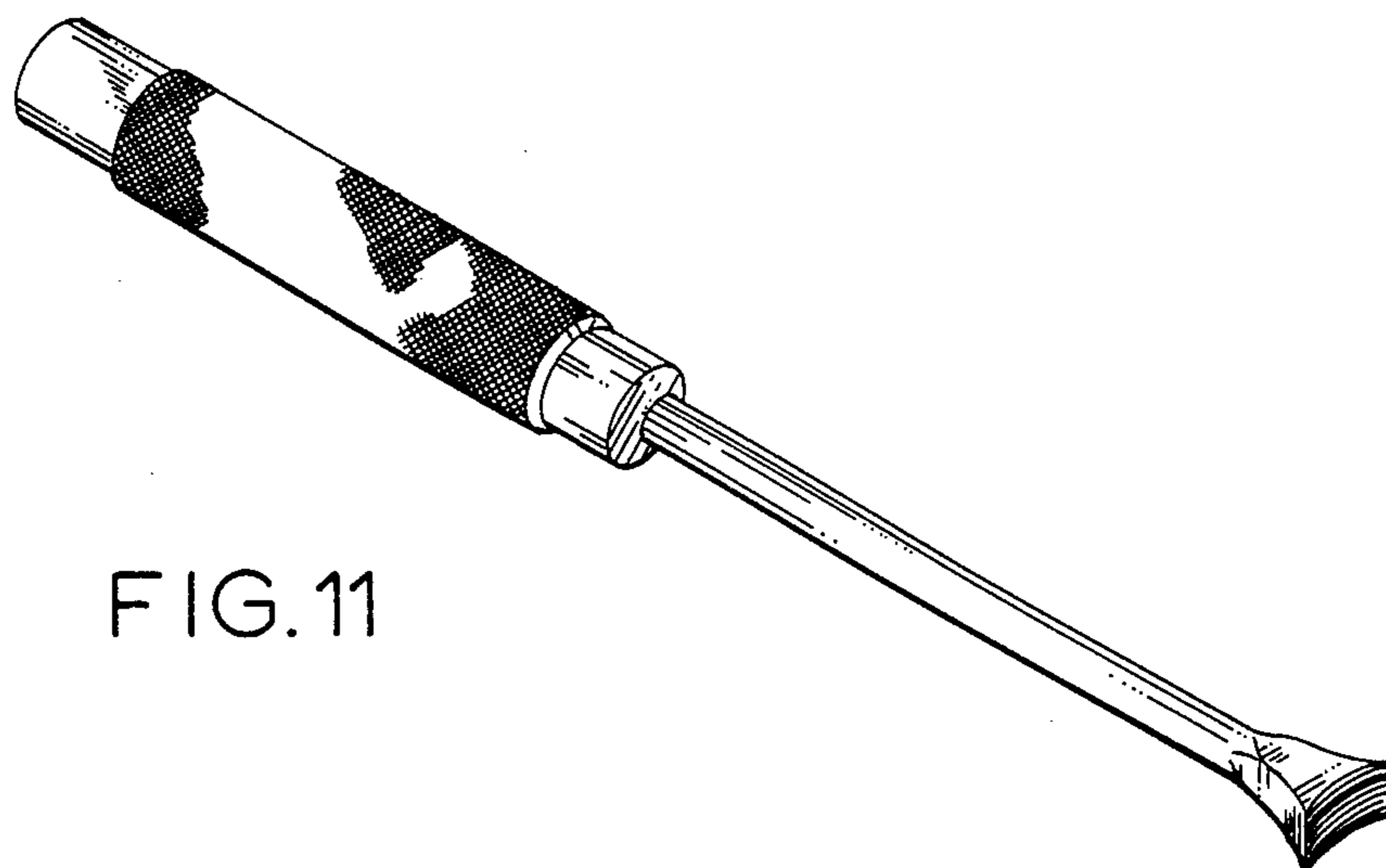


FIG. 11

FIG. 12

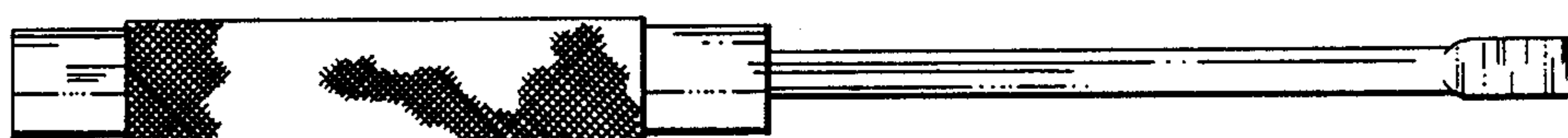


FIG. 13



FIG. 14



FIG. 15

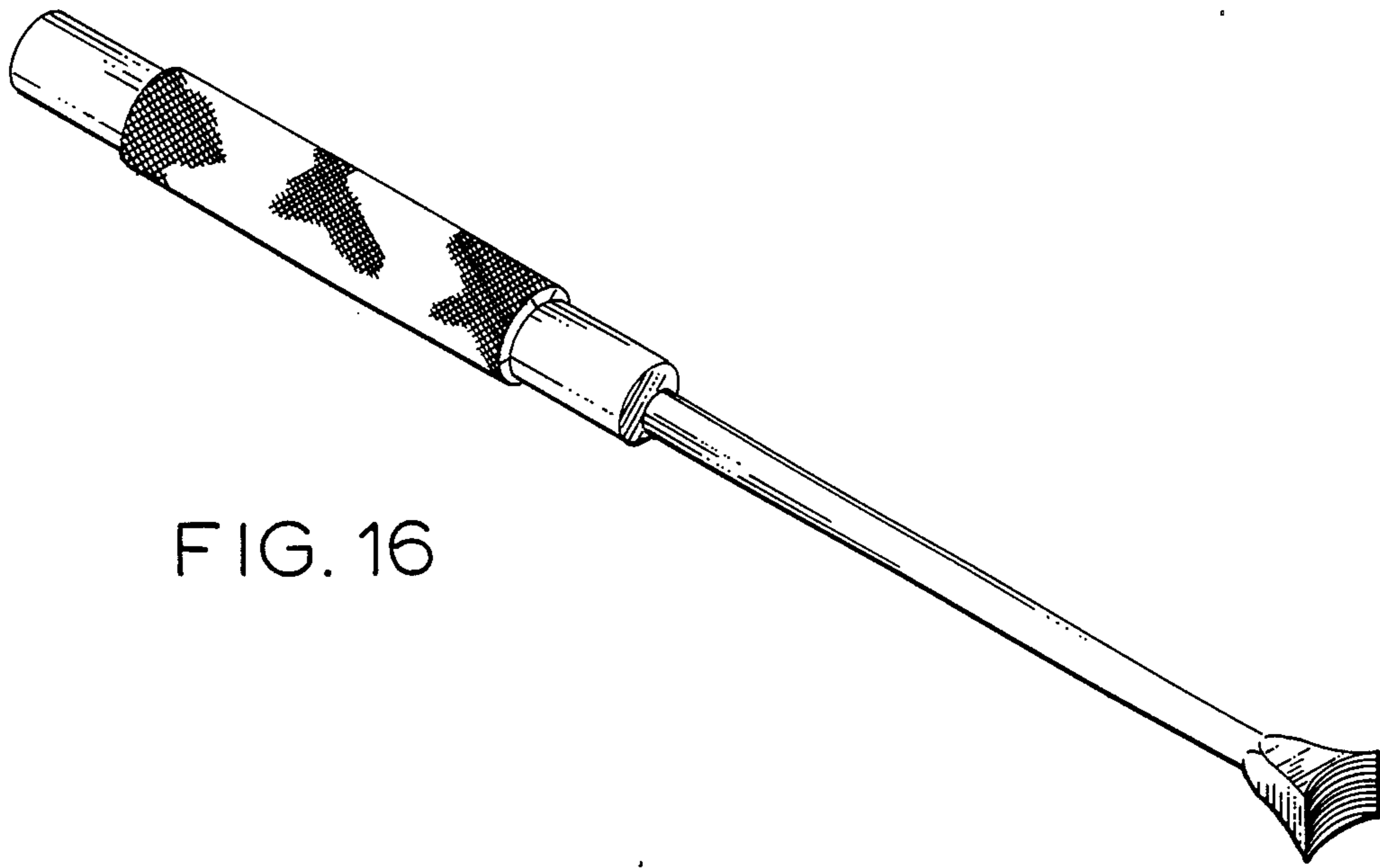


FIG. 16

FIG. 17

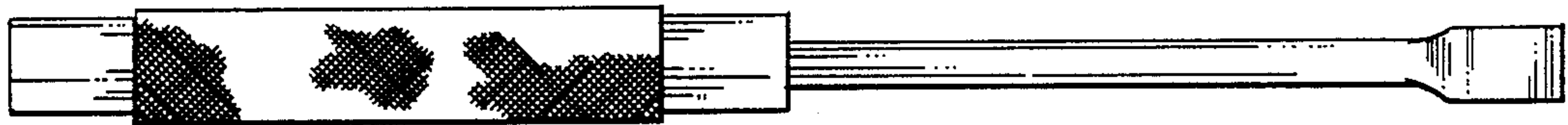


FIG. 18



FIG. 19



FIG. 20