

[54] **COMPRESSED AIR PURIFIER CABINET**

4,778,496 10/1988 Conrad 55/473
4,786,295 11/1988 Newman et al. 55/472

[75] **Inventor: John M. Sexton, Pleasant Garden, N.C.**

[73] **Assignee: Ingersoll-Rand Company, Woodcliff Lake, N.J.**

[**] **Term: 14 Years**

[21] **Appl. No.: 280,204**

[22] **Filed: Dec. 5, 1988**

[52] **U.S. Cl. D23/364**

[58] **Field of Search D23/364, 365, 355;
55/472, 33, 163**

[56] **References Cited**

U.S. PATENT DOCUMENTS

2,976,954 3/1961 Irwin D23/364
2,994,405 8/1961 Barach et al. D23/364

OTHER PUBLICATIONS

Deltech Engineering, Inc., Advertising Brochure, front cover, Deltech Air Dryer.

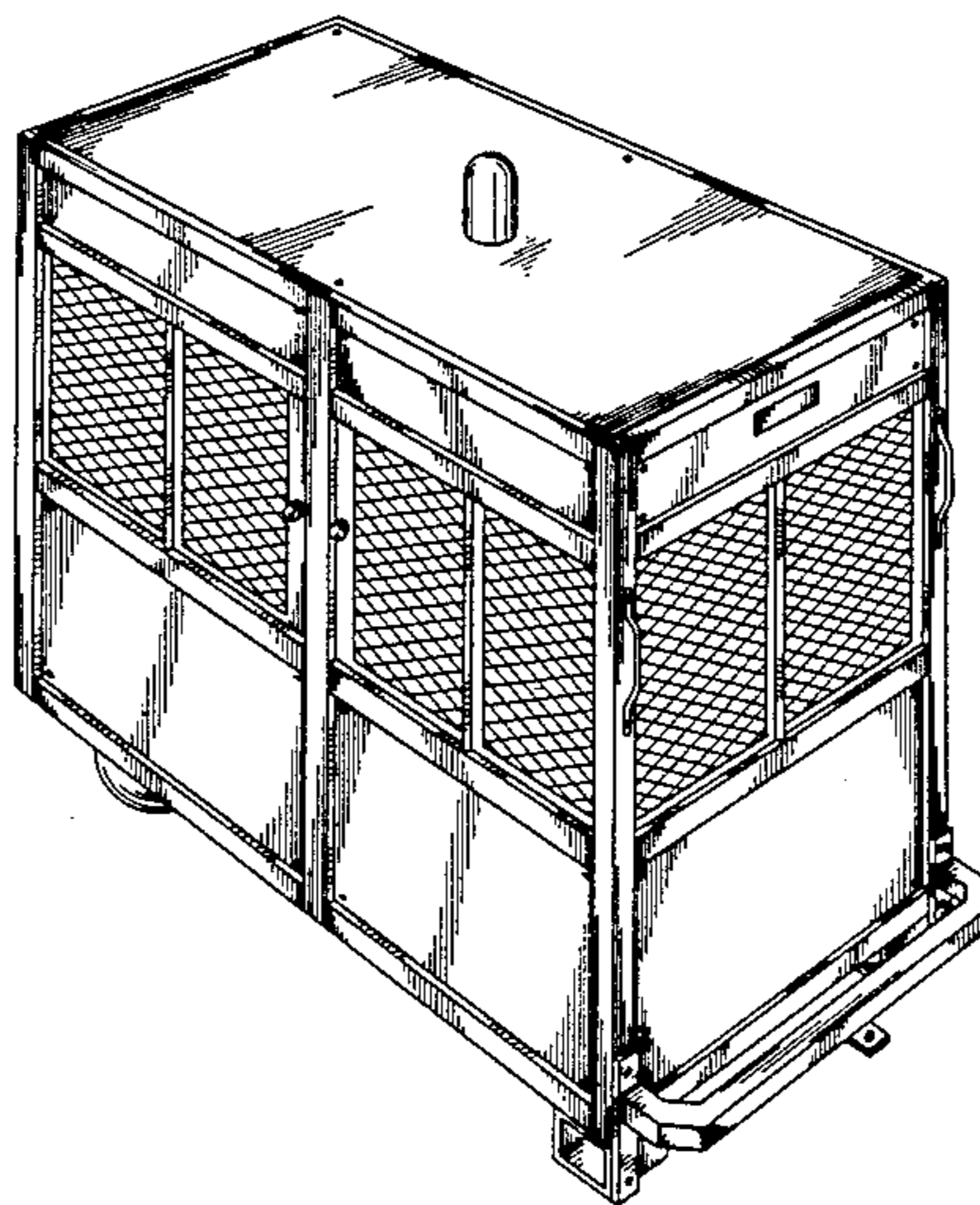
Primary Examiner—James M. Gandy
Assistant Examiner—Lisa Lichtenstein

[57] **CLAIM**

The ornamental design for a compressed air purifier cabinet, as shown.

DESCRIPTION

FIG. 1 is a front, left side top perspective view of a compressed air purifier cabinet embodying my design; FIG. 2 is an enlarged rear elevational view thereof; FIG. 3 is an enlarged right side elevational view thereof; and FIG. 4 is an enlarged bottom plan view thereof.



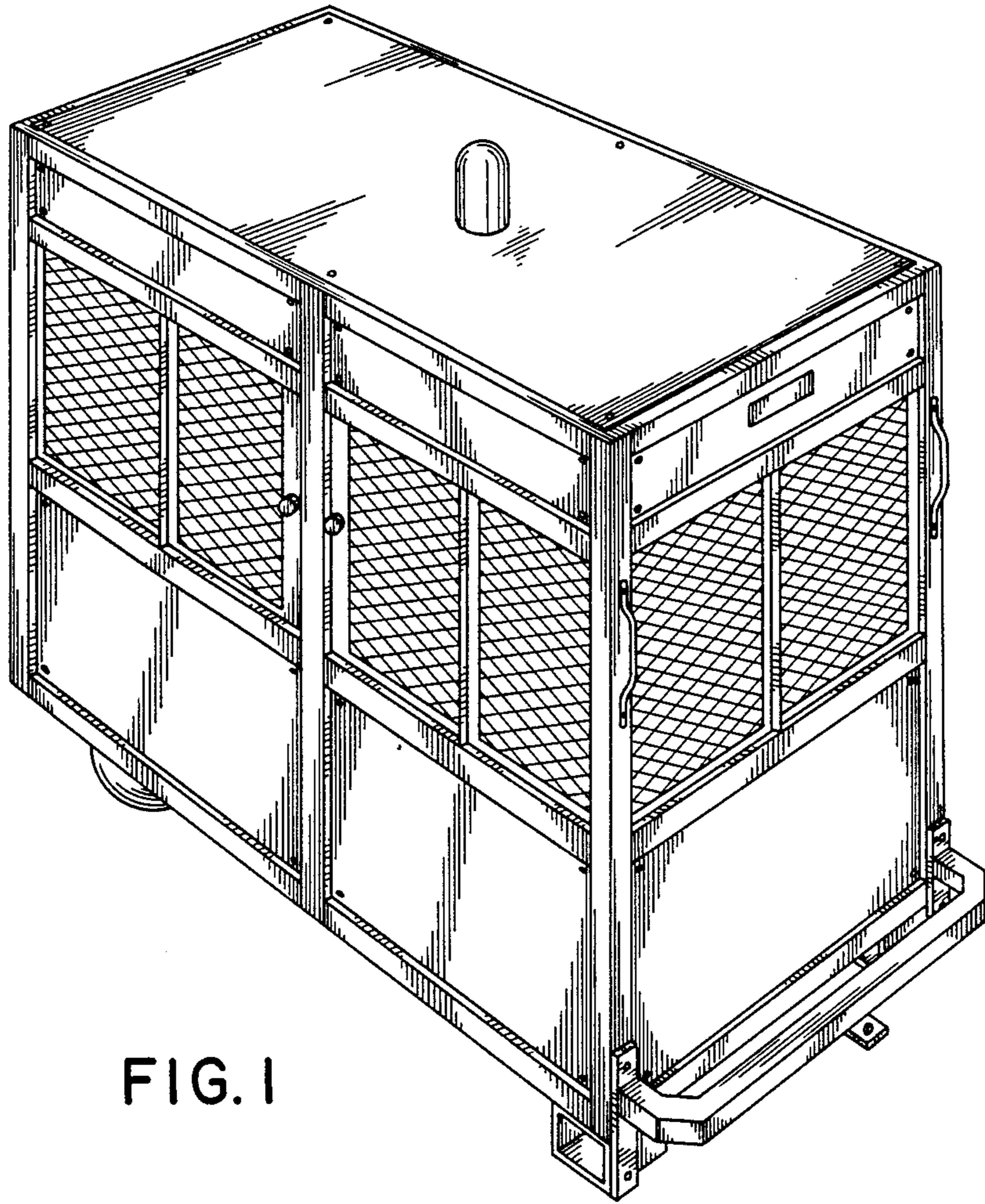


FIG. 1

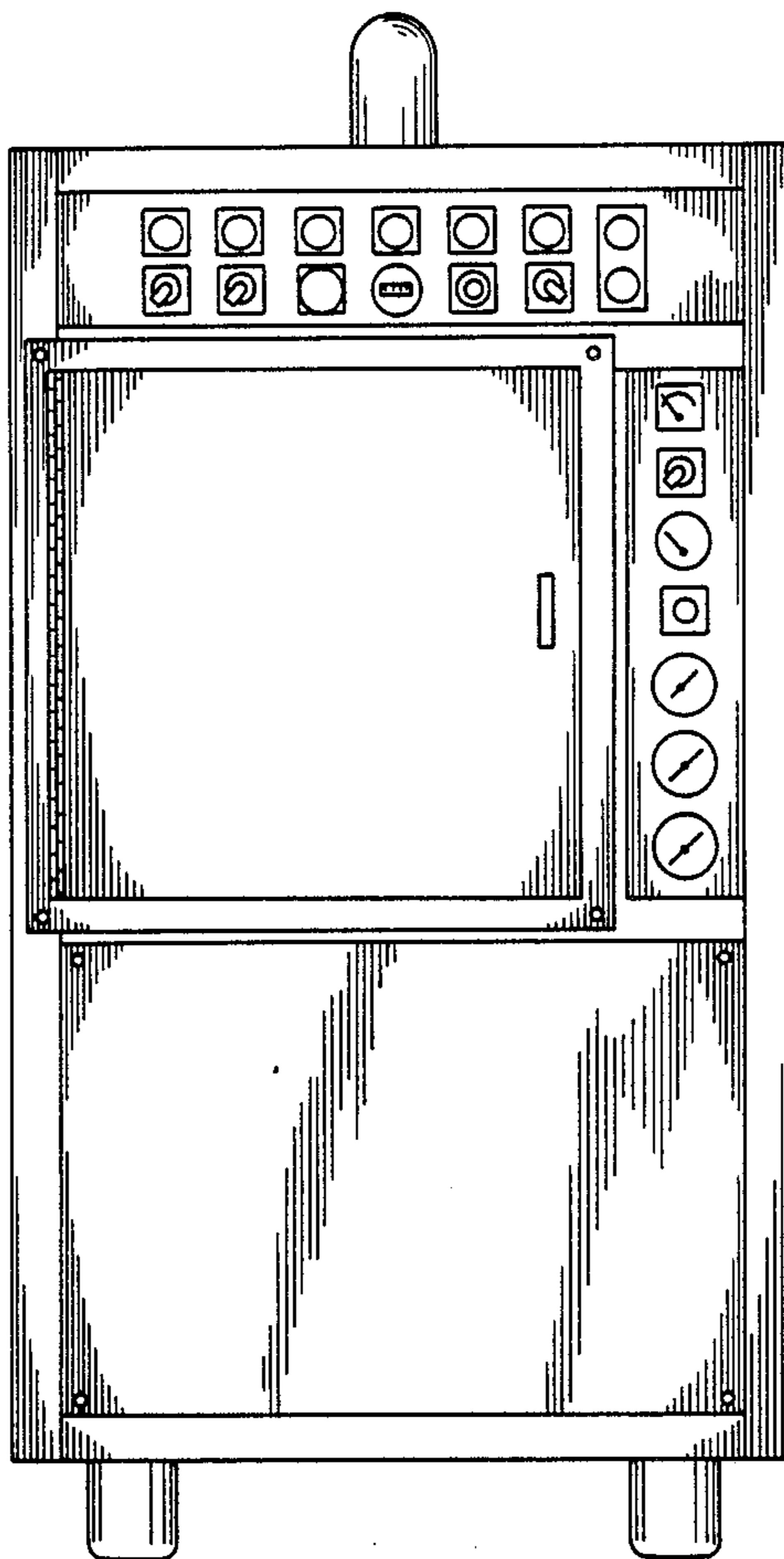


FIG. 2

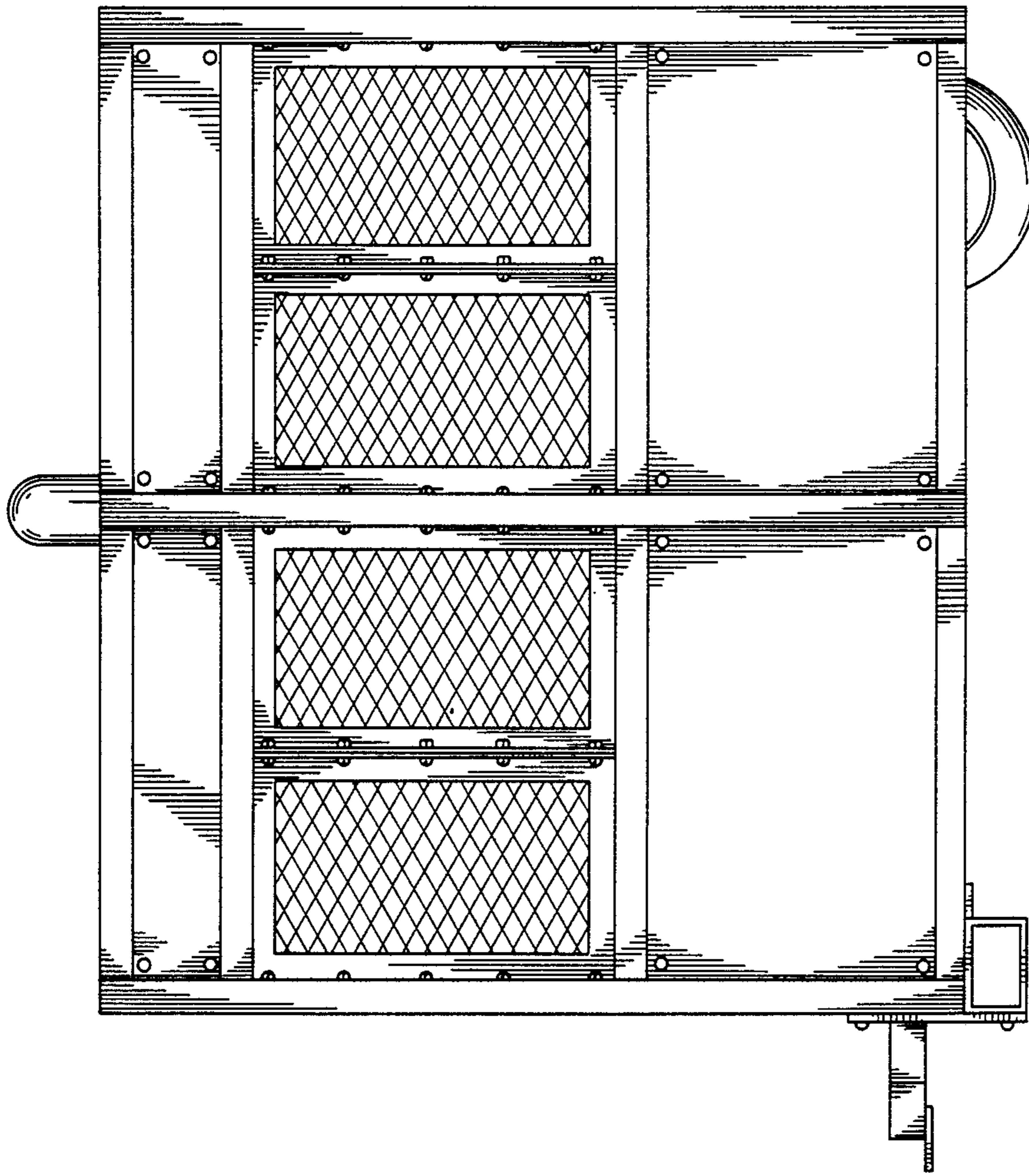


FIG. 3

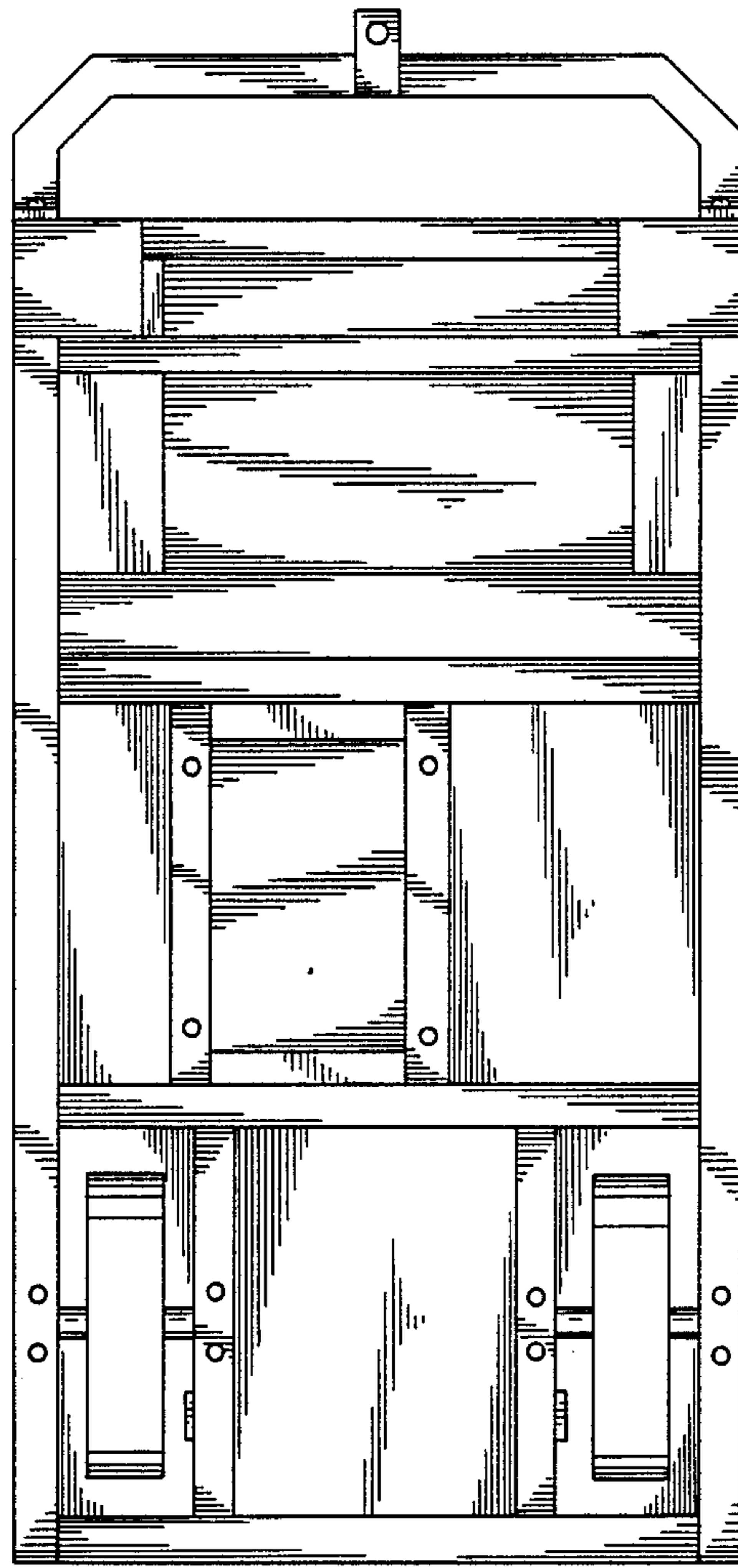


FIG. 4