

[54] DEHUMIDIFIER

[75] Inventor: Bo Gustavsson, Halmstad, Sweden

[73] Assignee: Sedaplast AB, Gislaved, Sweden

[\*\*] Term: 14 Years

[21] Appl. No.: 80,383

[22] Filed: Jul. 29, 1987

[30] Foreign Application Priority Data

Feb. 6, 1987 [SE] Sweden ..... 87-0267

[52] U.S. Cl. .... D23/359

[58] Field of Search ..... D23/363, 359, 358, 356, D23/360, 362; D7/16; D9/426, 423, 431; 55/387, 389, 316; 261/91

[56] References Cited

U.S. PATENT DOCUMENTS

- D. 165,610 1/1952 Sandberg ..... D9/426
- D. 267,395 12/1982 Groenewold et al. .... D9/431
- 4,294,371 10/1981 Davis ..... D7/16
- 4,399,080 8/1983 Swank ..... 261/91

OTHER PUBLICATIONS

Rival Manufacturing Co., Catalogue, Section II, Jan.

16, 1978, Supplement of HFD Retailing Home Furnishing, Naturelles Clay Cookers, left bottom side of p. 1. Electrical Merchandising Week, Oct. 21, 1963, p. 42, Humidifier and Air Purifier, middle right side of page. Washington Post 11/3/85 Advertising Supplement, Heckinger's p. 10, West Bend Humidifier, top right side of page.

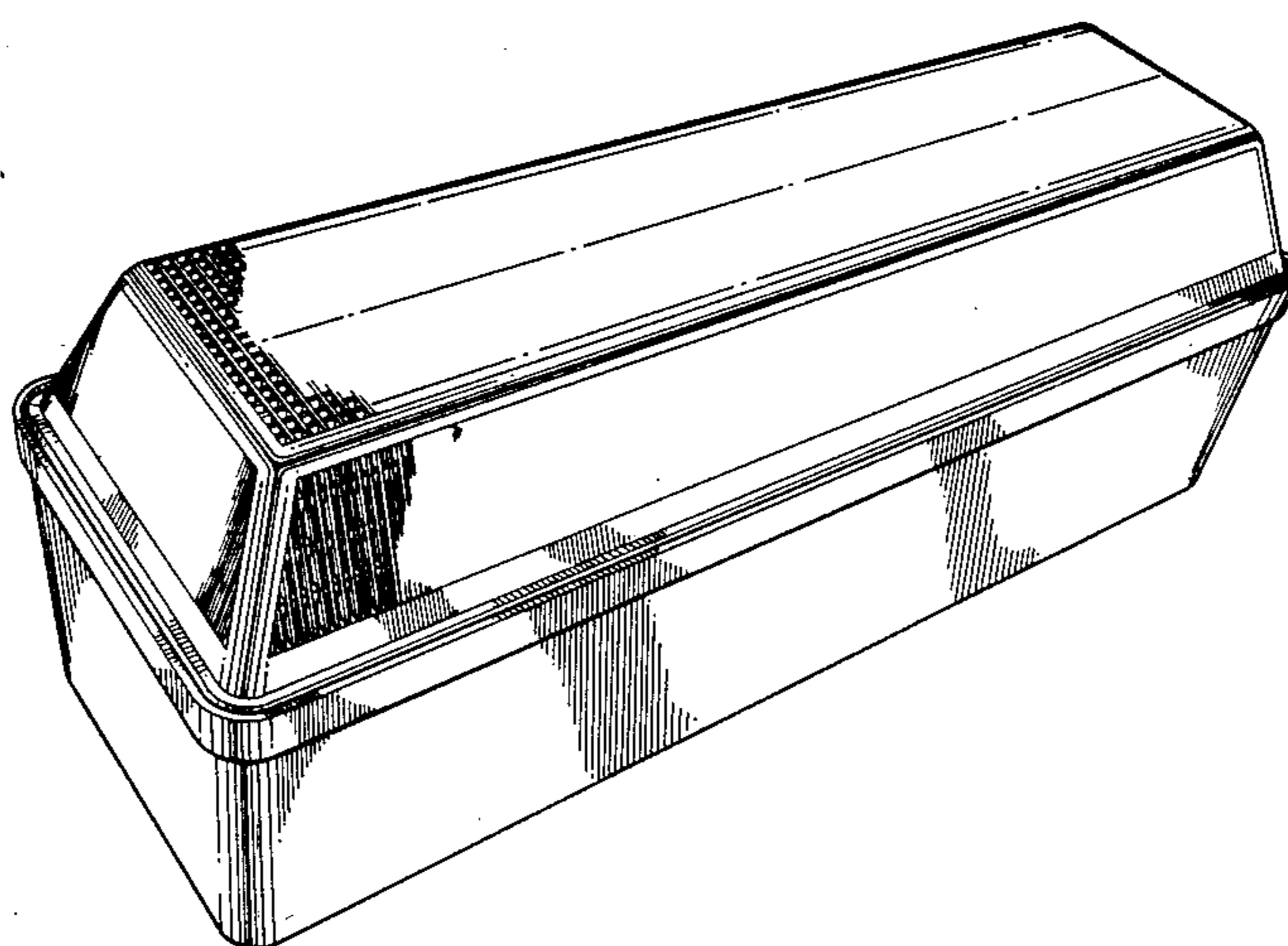
Primary Examiner—James M. Gandy  
Assistant Examiner—Lisa Lichtenstein  
Attorney, Agent, or Firm—Burns, Doane, Swecker & Mathis

[57] CLAIM

The ornamental design for a dehumidifier, as shown and described.

DESCRIPTION

FIG. 1 is a top perspective view of a dehumidifier showing my new design;  
FIG. 2 is an end elevation view thereof, the opposite end being a mirror image of that shown;  
FIG. 3 is a side elevation view thereof, the opposite side being a mirror image of that shown; and  
FIG. 4 is a top plan view thereof.  
The bottom of the dehumidifier is substantially flat and unornamented.



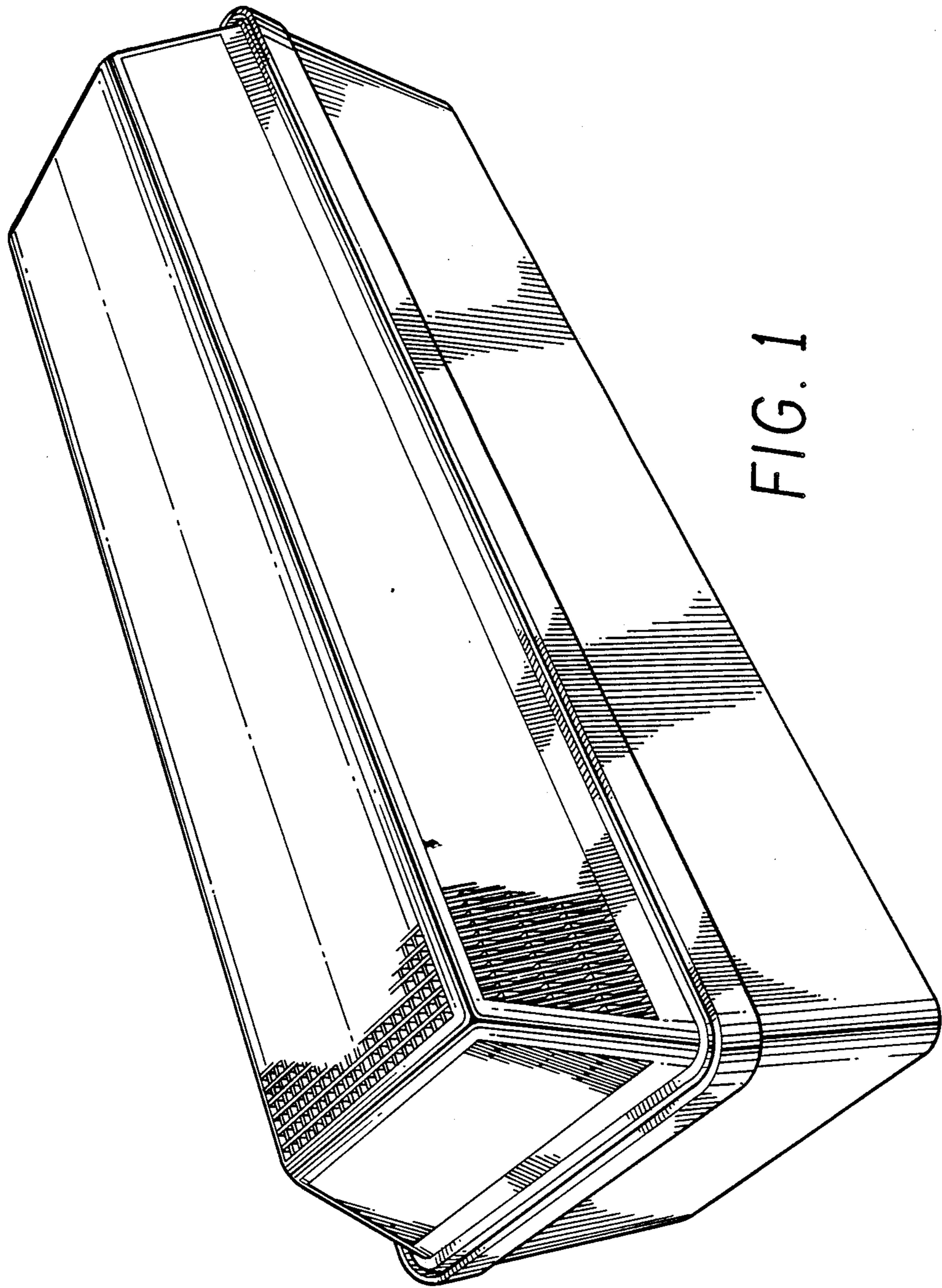


FIG. 1

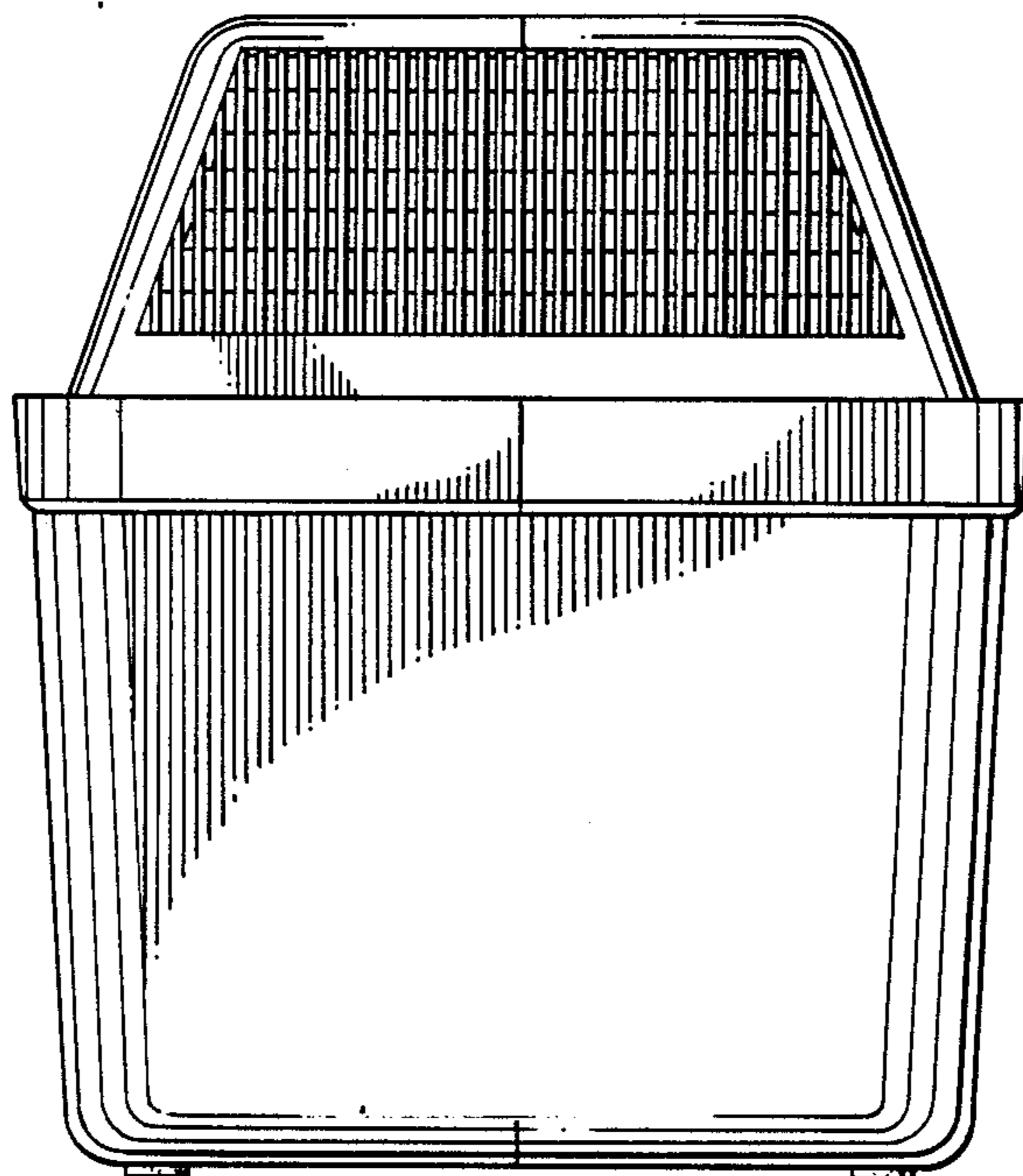


FIG. 2

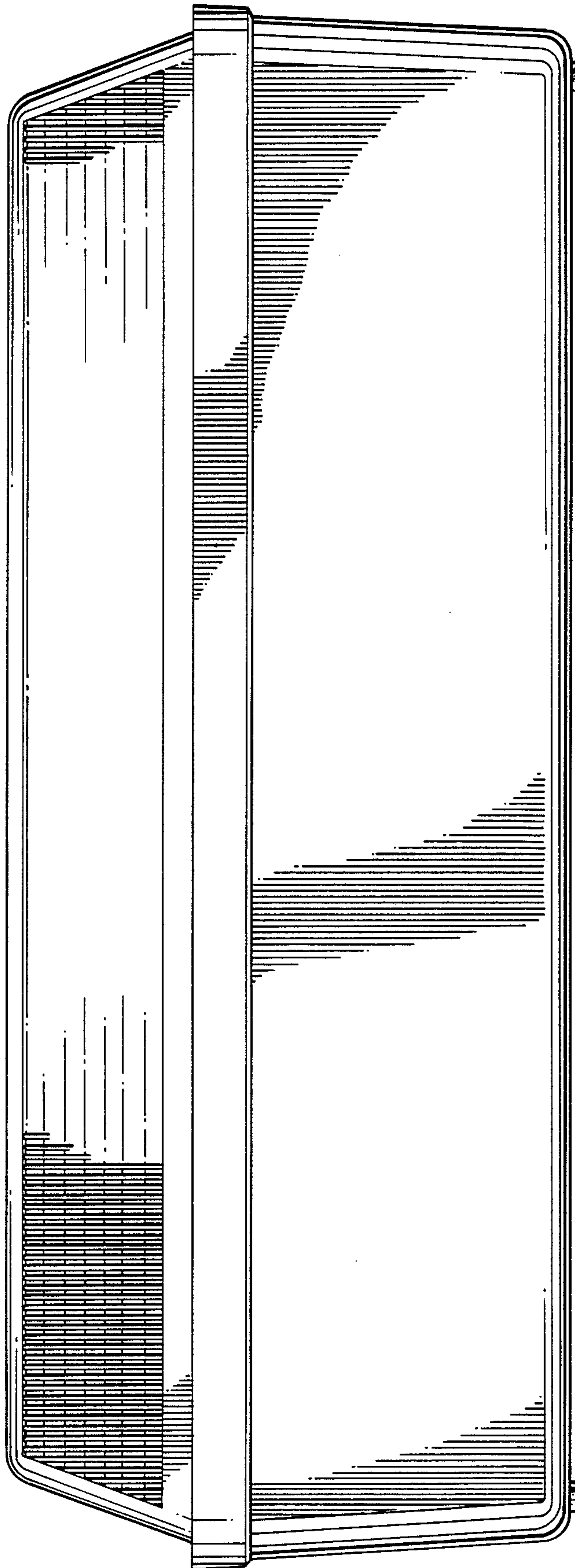


FIG. 3

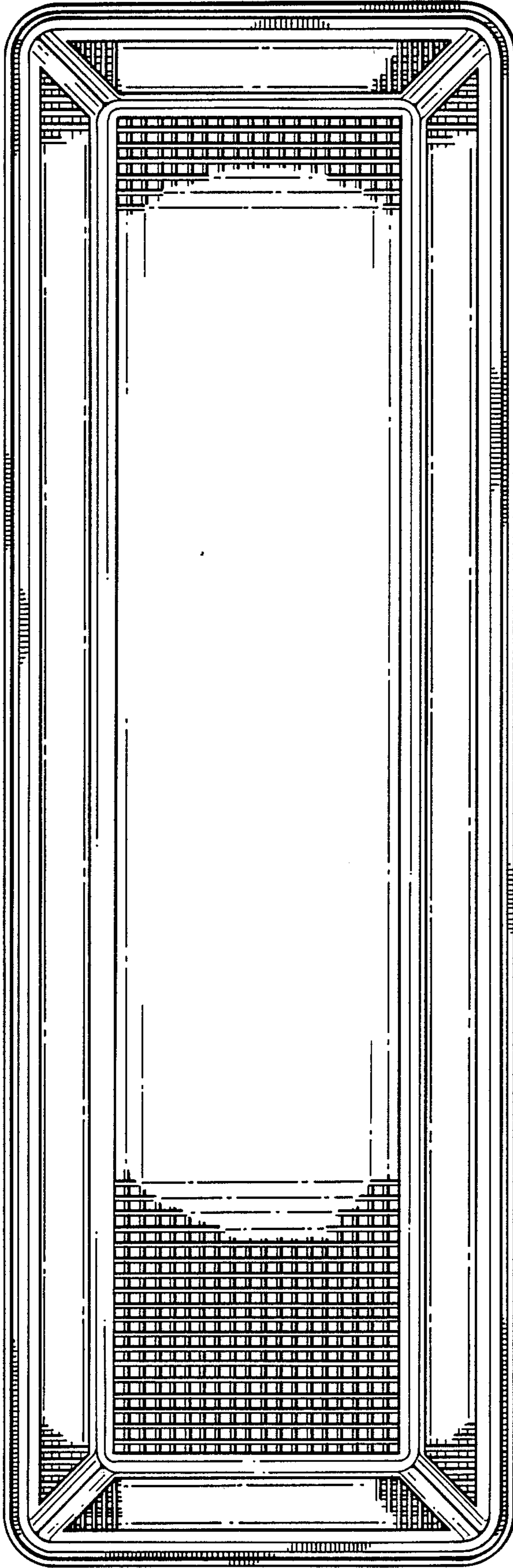


FIG. 4