

[54] COMBINED SPLASH GUARD AND GRAB BAR FOR BATHTUBS OR THE LIKE

[76] Inventor: Harold H. Brown, Rte. 1, Box 46, Leoti, Kans. 67861

[\*\*] Term: 14 Years

[21] Appl. No.: 275,795

[22] Filed: Nov. 25, 1988

[52] U.S. Cl. .... D23/307

[58] Field of Search ..... D23/303-307; D8/319; 4/576, 577, 608-611

[56] References Cited

U.S. PATENT DOCUMENTS

D. 189,906	3/1961	Best et al. ....	D8/319
D. 238,490	1/1976	Blitch .....	D23/307
D. 244,774	6/1977	Dose .....	D23/307
D. 271,516	11/1983	Dose .....	D23/307
D. 273,609	4/1984	Huffington .....	D23/307
1,807,107	5/1931	Sternbergh .....	4/608
3,724,000	4/1973	Eakman .....	4/609
3,737,921	6/1973	Baumrind .....	4/609
3,855,642	12/1974	Blitch .....	4/609

3,952,337	4/1976	Hansow .....	4/609 X
4,189,790	2/1980	Masters, III .....	4/609 X

Primary Examiner—James R. Largen  
Attorney, Agent, or Firm—Litman, McMahon & Brown

[57] CLAIM

The ornamental design for a combined splash guard grab bar for bathtubs or the like, as shown and described.

DESCRIPTION

FIG. 1 is a perspective view taken from the top, front and right side of a combined splash guard and grab bar for bathtubs or the like showing my new design.

FIG. 2 is a right side elevational view thereof, the left side being a mirror image of the right side shown.

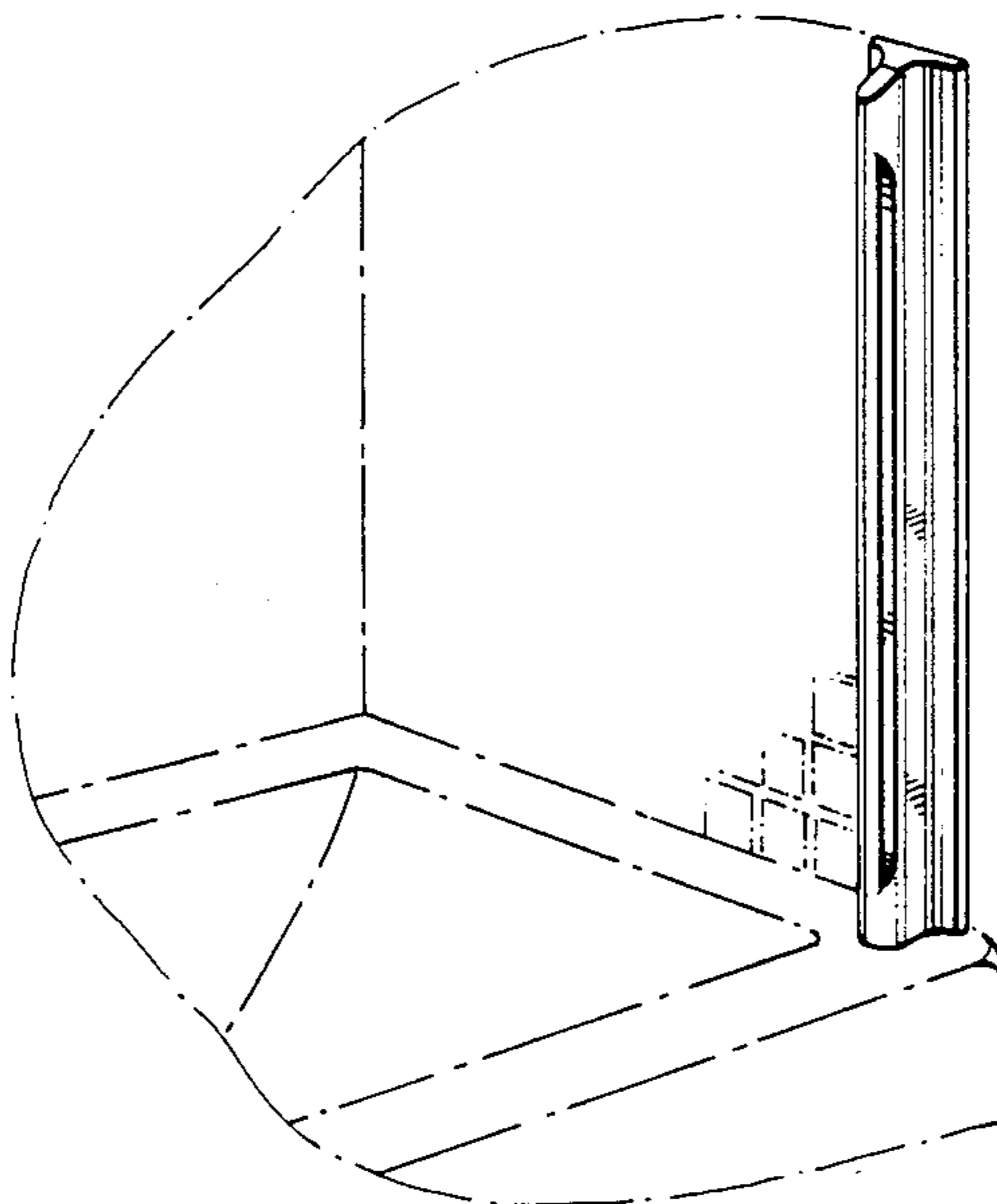
FIG. 3 is a front elevational view thereof.

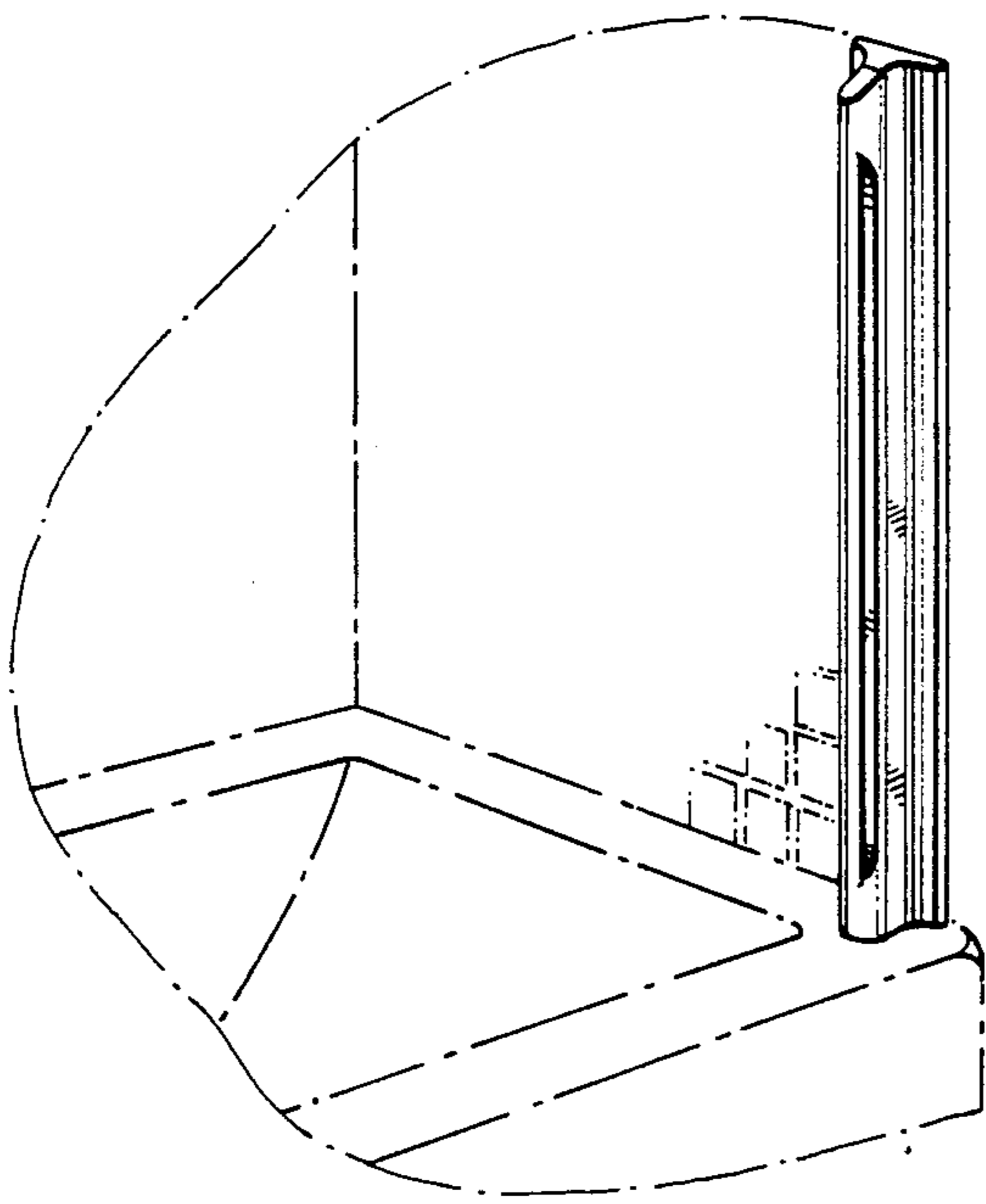
FIG. 4 is a rear elevational view thereof.

FIG. 5 is a bottom plan view thereof.

FIG. 6 is a top plan view thereof.

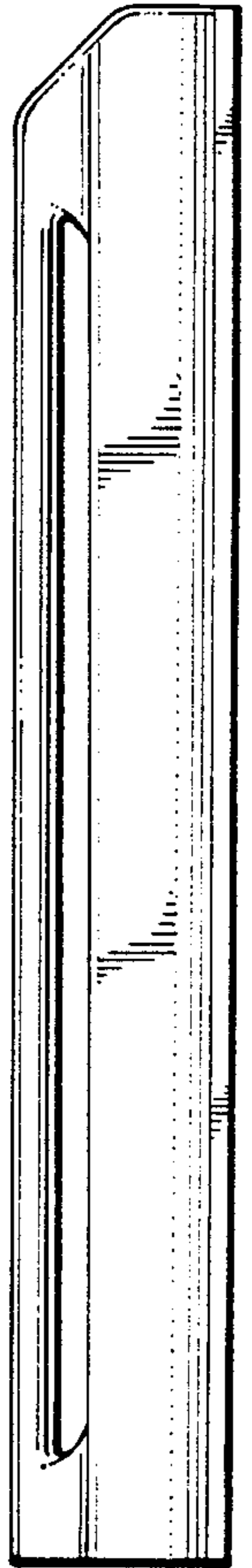
The fragmentary broken line representation of bathroom walls and bathtub in FIG. 1 is for purposes of illustration only and form no part of the claimed invention.





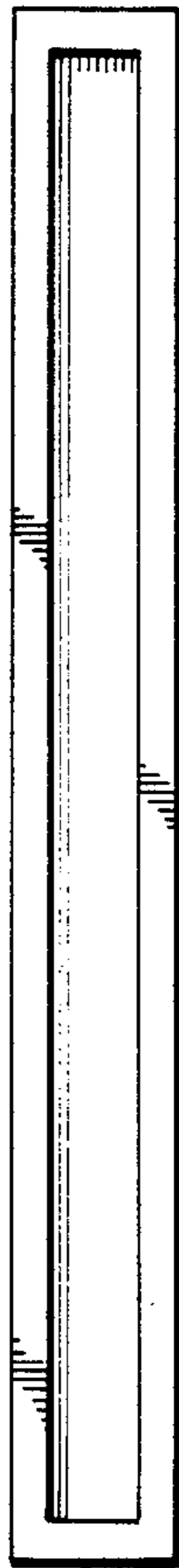
**Fig. 1.**

**Fig. 2.**

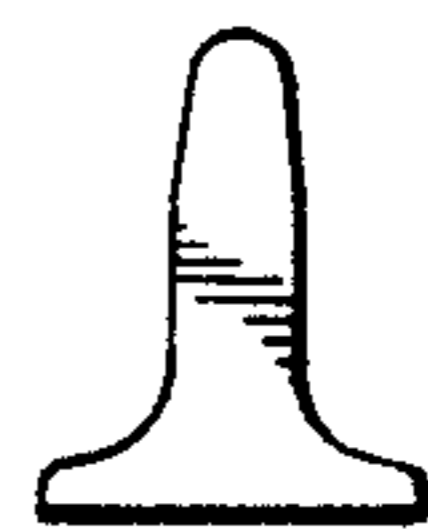


**Fig. 3.**

**Fig. 4.**



**Fig. 5.**



**Fig. 6.**

