

# United States Patent [19]

Travis et al.

[11] Patent Number: Des. 312,295

[45] Date of Patent: \*\* Nov. 20, 1990

[54] LURE RETRIEVER TIP

[76] Inventors: Tony L. Travis; Sandra K. Travis,  
both of HC 68 Box 980, David, Ky.  
41616

[\*\*] Term: 14 Years

[21] Appl. No.: 89,242

[22] Filed: Aug. 24, 1987

[52] U.S. Cl. .... D22/149; D22/134

[58] Field of Search ..... D22/149; 43/17.2, 53.5,  
43/4, 137, 18.1, 11; 7/106

[56] References Cited

U.S. PATENT DOCUMENTS

918,579	1/1909	Murch	.....	43/18.1	X
1,031,495	7/1912	Walker	.....	43/137	
2,276,524	3/1942	Taylor	.....	43/18.1	

2,611,181	9/1952	Coulter	.....	7/106	X
2,841,847	7/1958	Wallace	.....	43/11	X
3,004,362	10/1961	Day	.....	7/106	X
3,064,244	11/1962	McCreary et al.	.....	43/4	X
3,150,460	9/1964	Dees	.....	43/4	

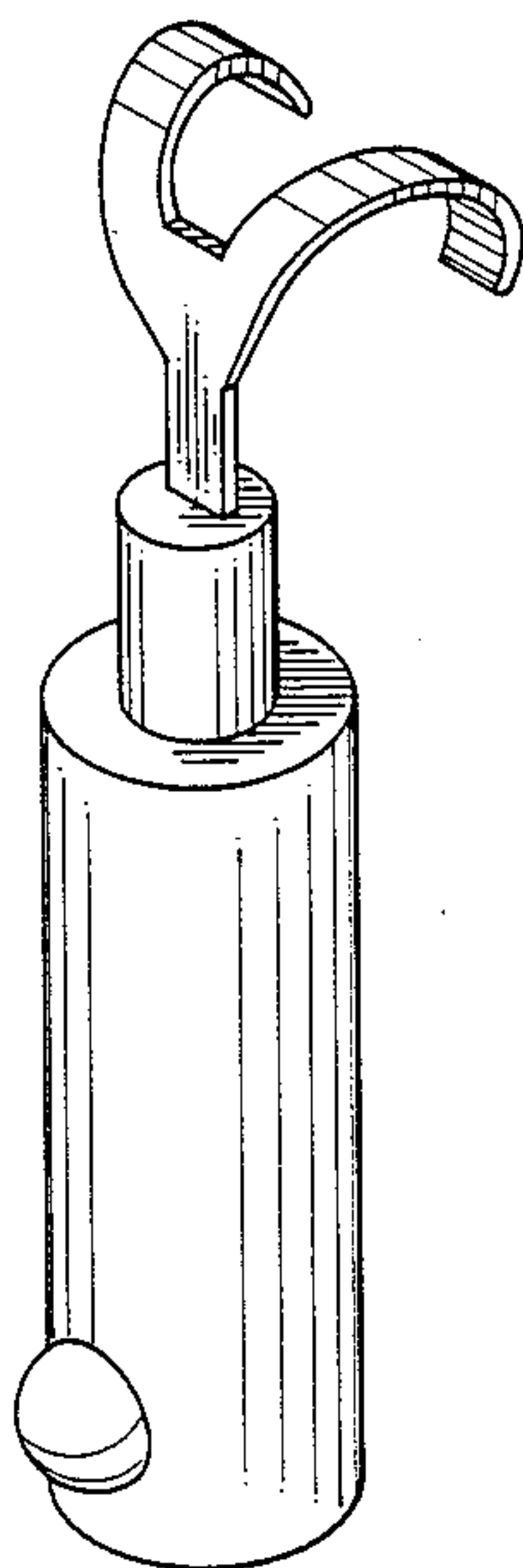
Primary Examiner—A. Hugo Word  
Assistant Examiner—Doris V. Coles  
Attorney, Agent, or Firm—Jerry T. Kearns

[57] CLAIM

The ornamental design for a lure retriever tip, as shown and described.

DESCRIPTION

FIG. 1 is a front elevational view of a lure retriever tip showing my new design;  
FIG. 2 is a rear elevational view thereof;  
FIG. 3 is a left side elevational view thereof;  
FIG. 4 is a right side elevational view thereof; and,  
FIG. 5 is a perspective view thereof.



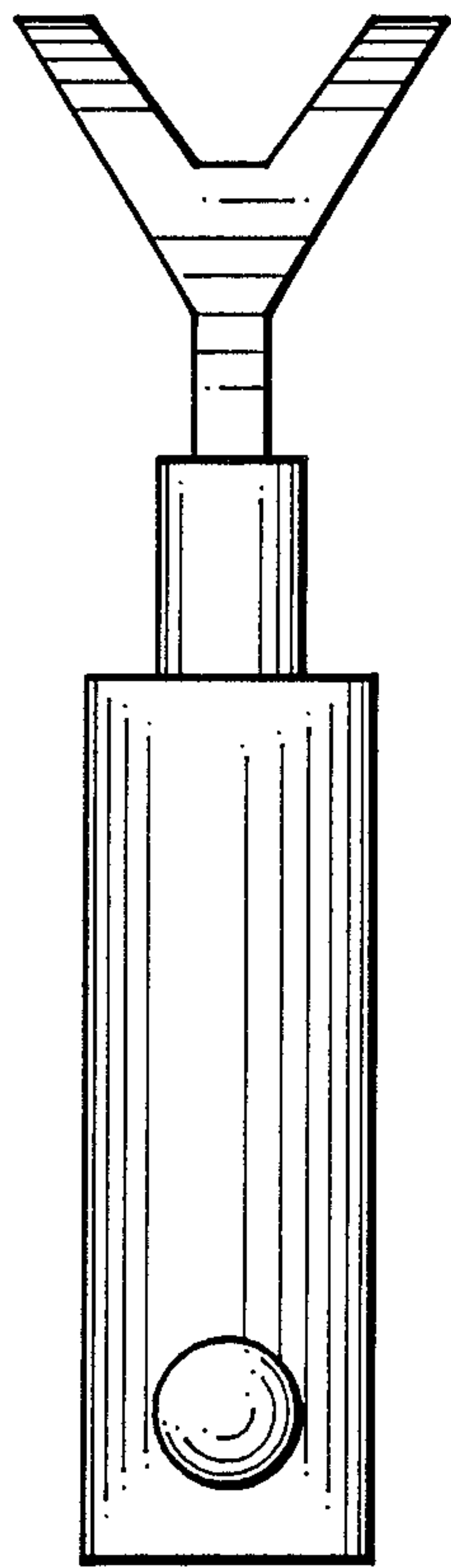


Fig. 1

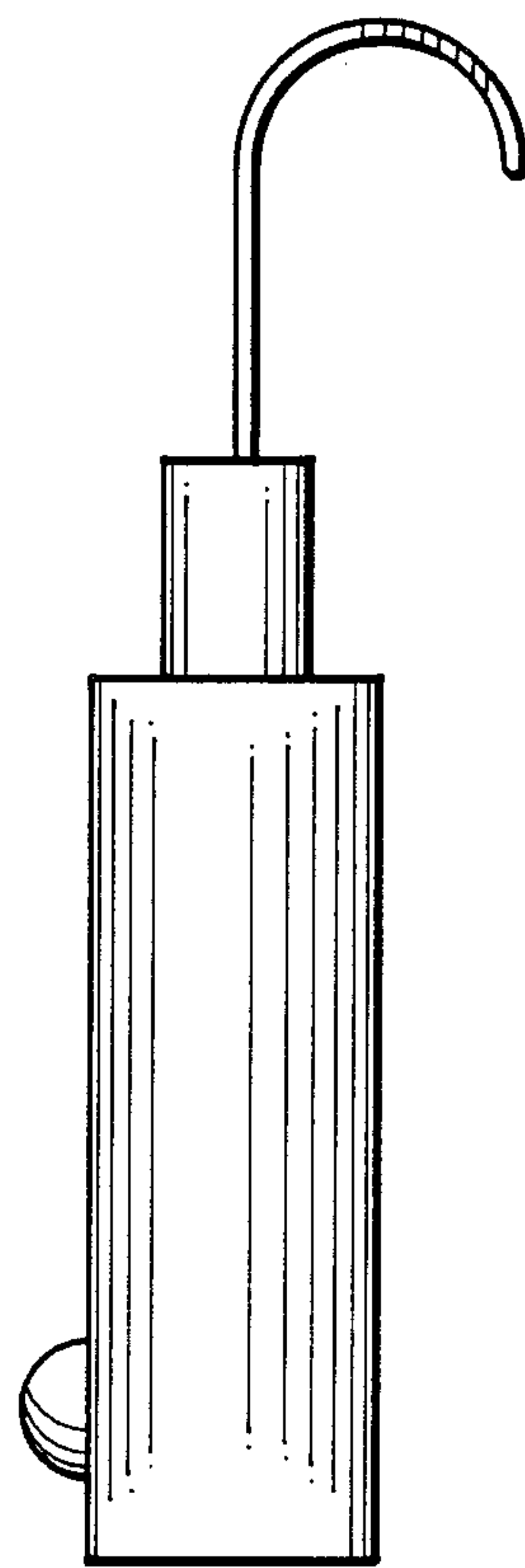


Fig. 2

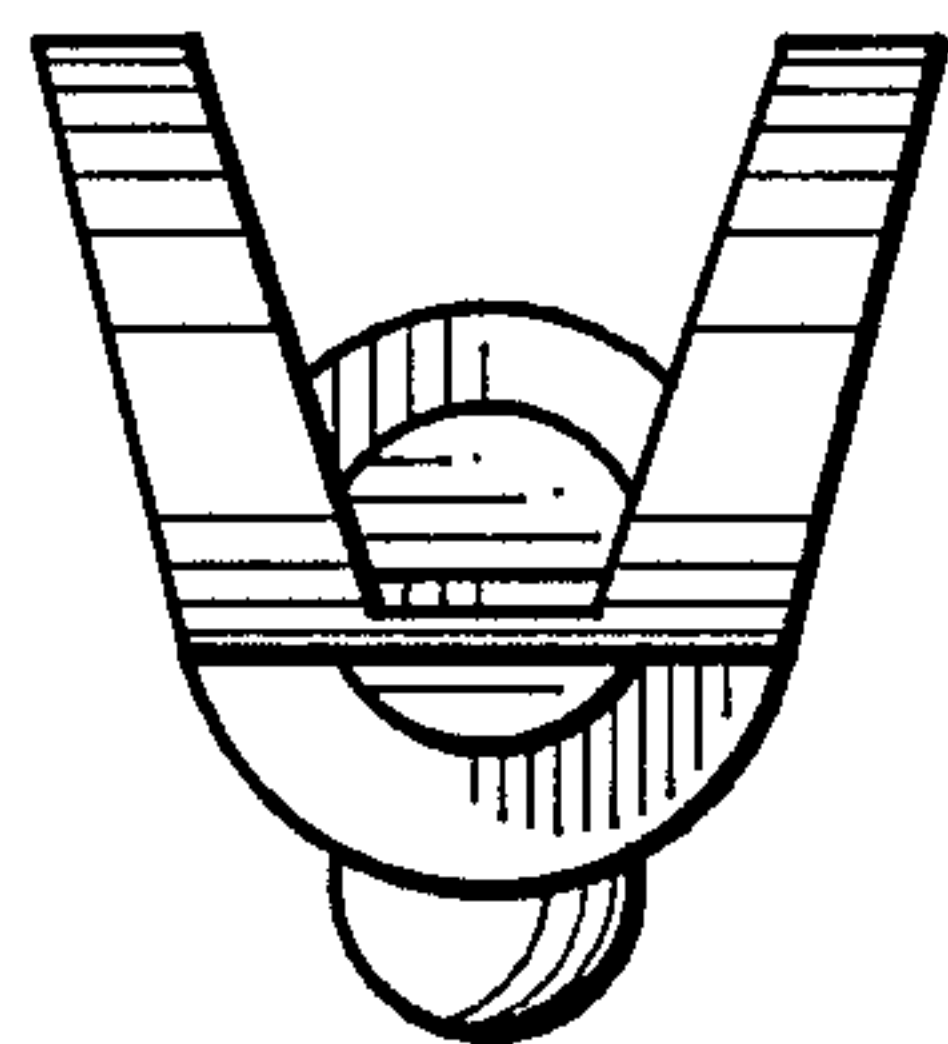


Fig. 3

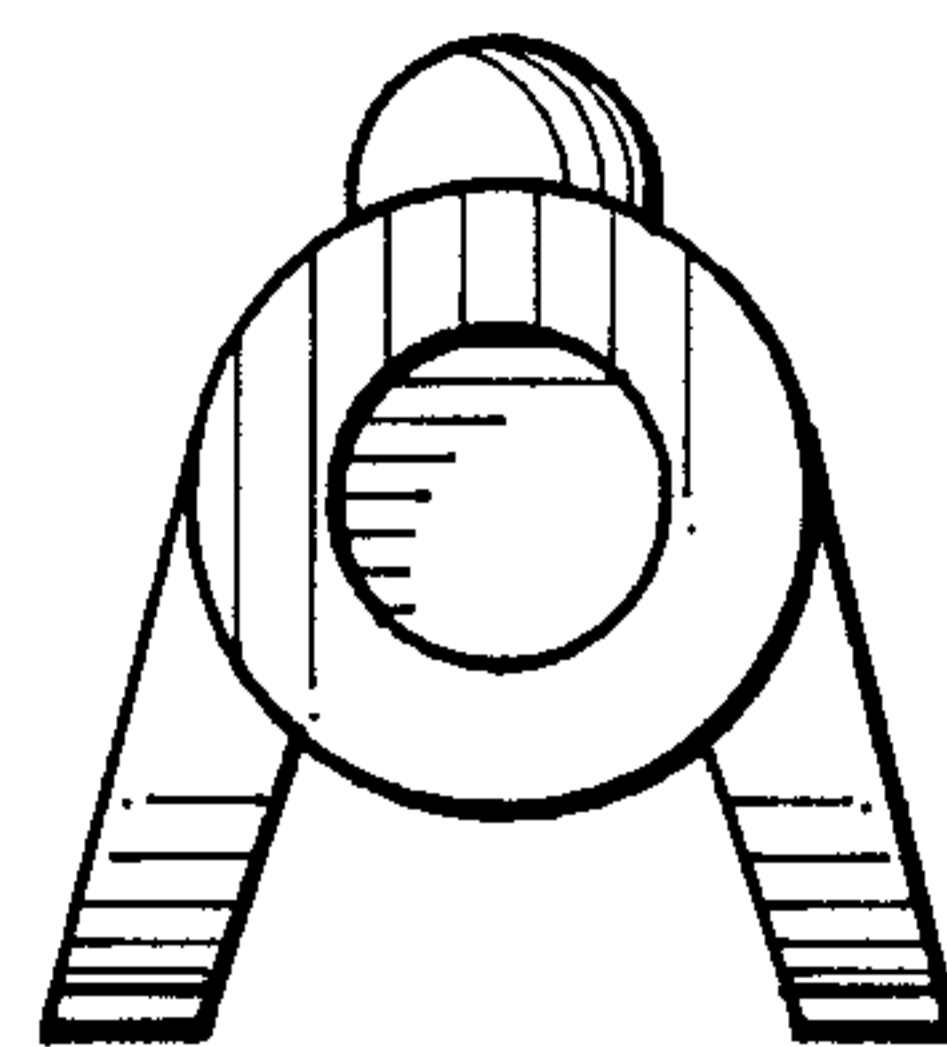


Fig. 4

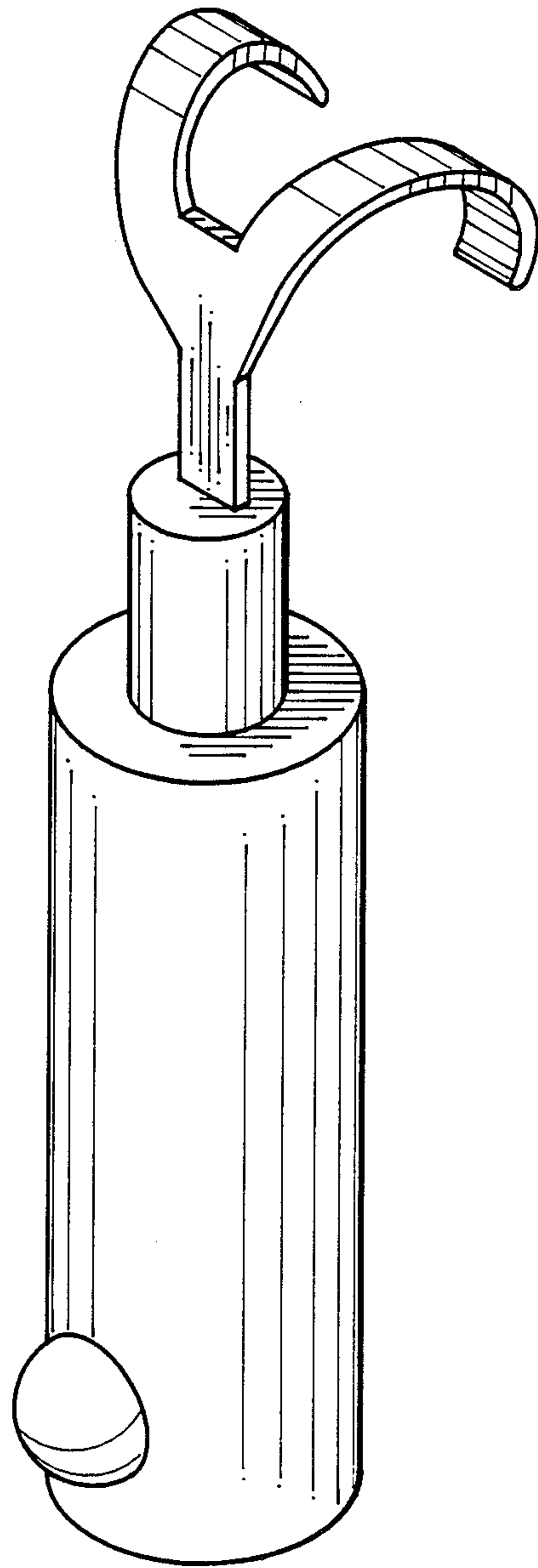


Fig. 5