

[54] HAND-HELD TROTLINE HOLDER

4,522,349 6/1985 Clerk 242/96
4,525,949 7/1985 Pike et al. 43/57.3

[75] Inventors: Benjamin L. Doskocil; Douglas J. Sharp, both of Arlington, Tex.

Primary Examiner—A. Hugo Word
Assistant Examiner—Doris V. Coles
Attorney, Agent, or Firm—Charles W. McHugh

[73] Assignee: Doskocil Manufacturing Co., Inc., Arlington, Tex.

[57] CLAIM

[**] Term: 14 Years

The ornamental design for a hand-held trotline holder, as shown and described.

[21] Appl. No.: 162,376

DESCRIPTION

[22] Filed: Feb. 29, 1988

[52] U.S. Cl. D22/137; D22/134

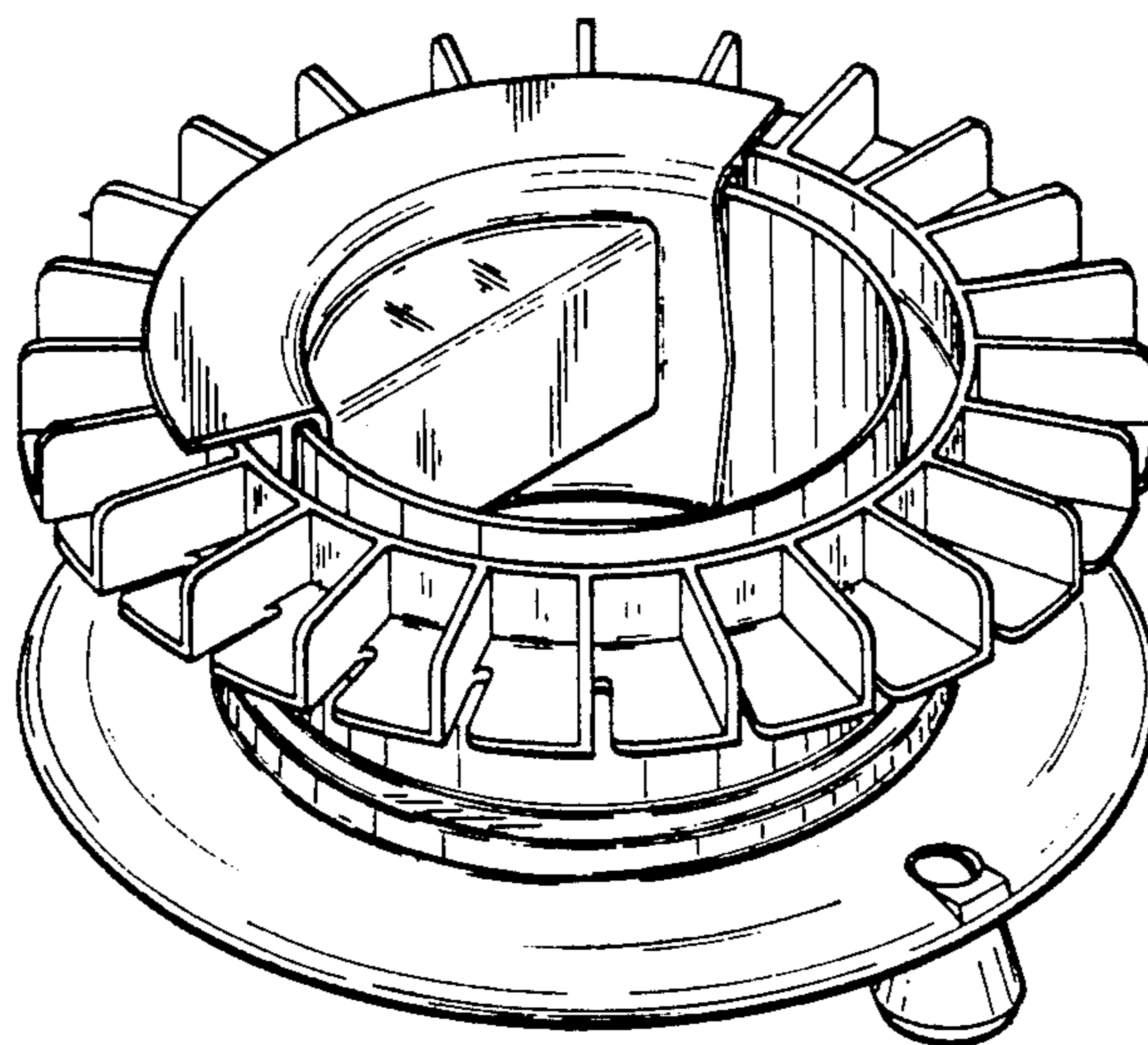
[58] Field of Search D22/140, 137, 134; 43/57.3; 242/96, 106, 224-251

FIG. 1 is a perspective view of a hand-held trotline holder, showing my new design;
FIG. 2 is a top plan view thereof;
FIG. 3 is a bottom plan view thereof;
FIG. 4 is a front elevational view thereof;
FIG. 5 is a rear elevational view thereof;
FIG. 6 is a right side elevational view thereof; and
FIG. 7 is a cross sectional view taken through the diametral plan represented by lines 7—7 in FIG. 2.

[56] References Cited

U.S. PATENT DOCUMENTS

- 3,660,924 5/1972 McGee, Jr. 43/57.3
- 3,775,893 12/1973 McGee, Jr. 43/57.3
- 4,143,746 3/1979 Lowery 242/96 X



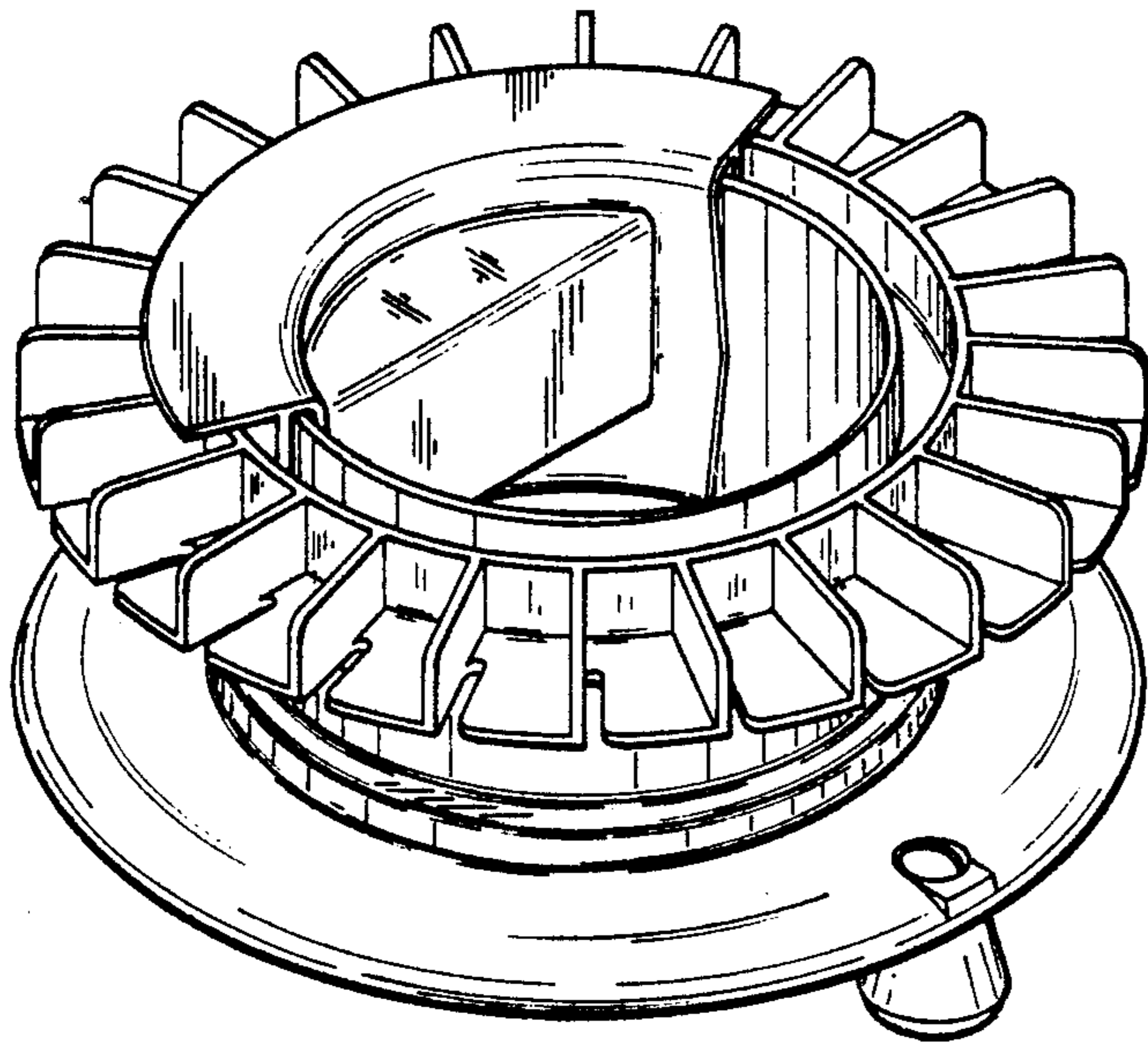


FIG. 1

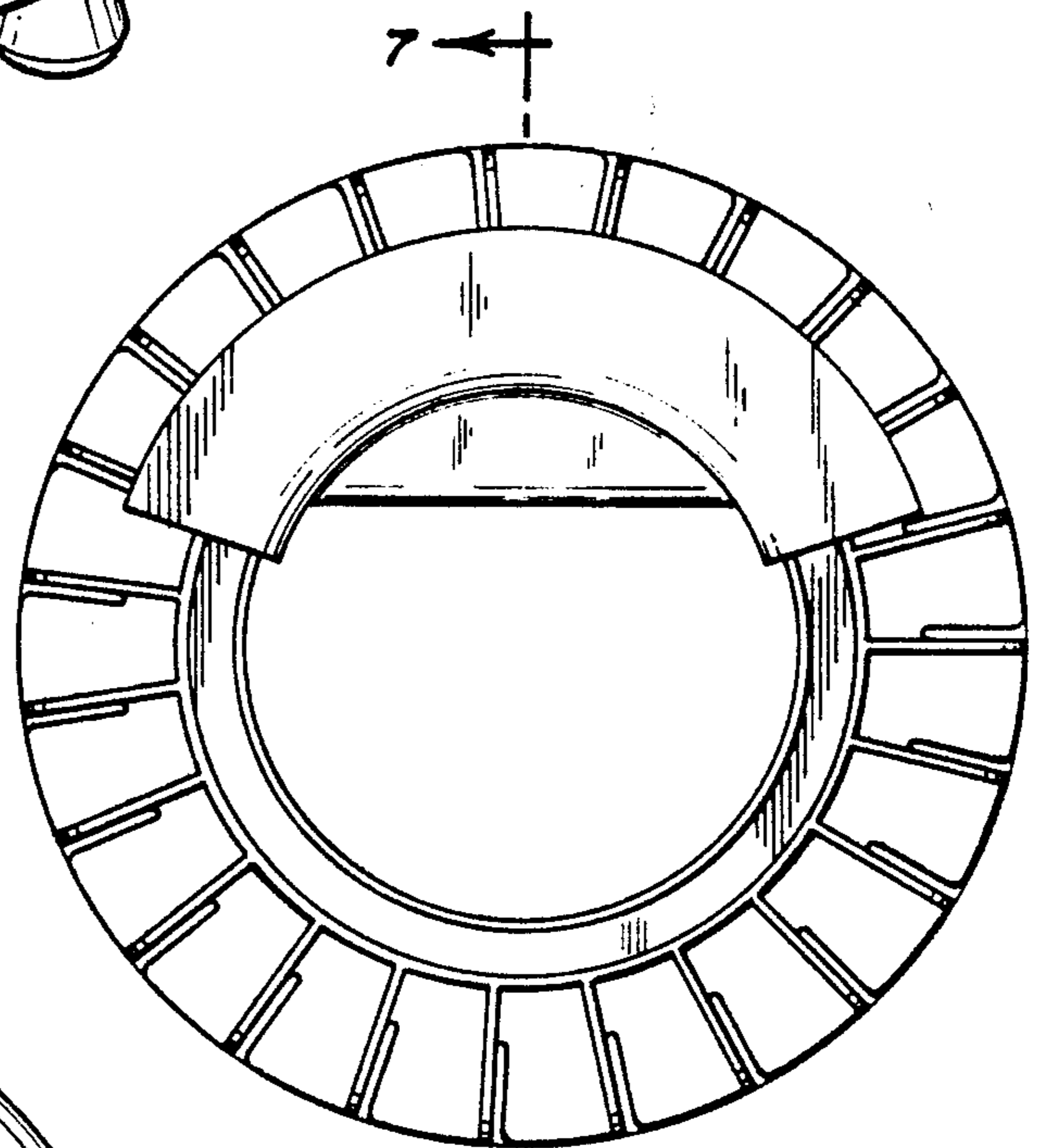


FIG. 2

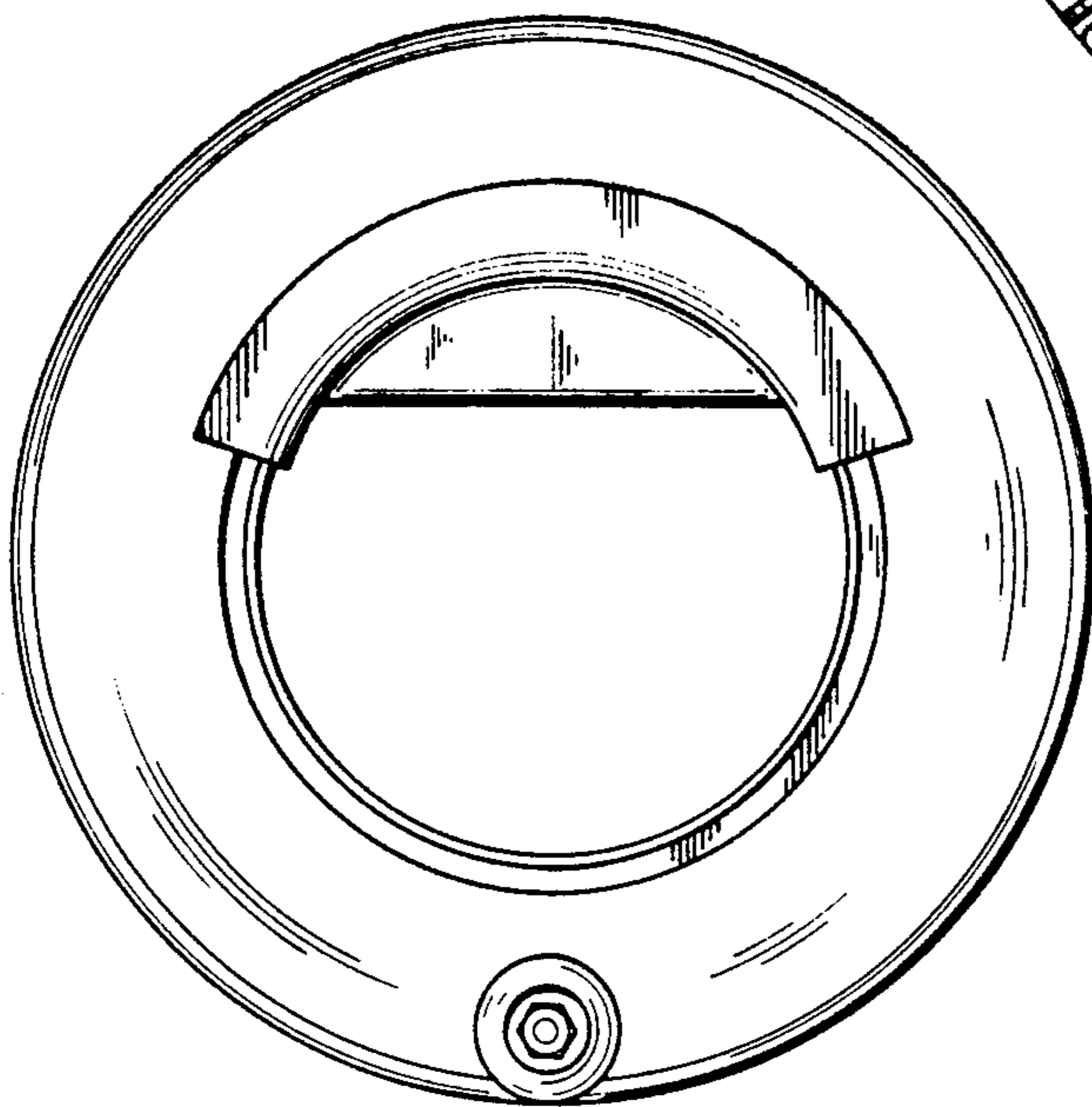


FIG. 3

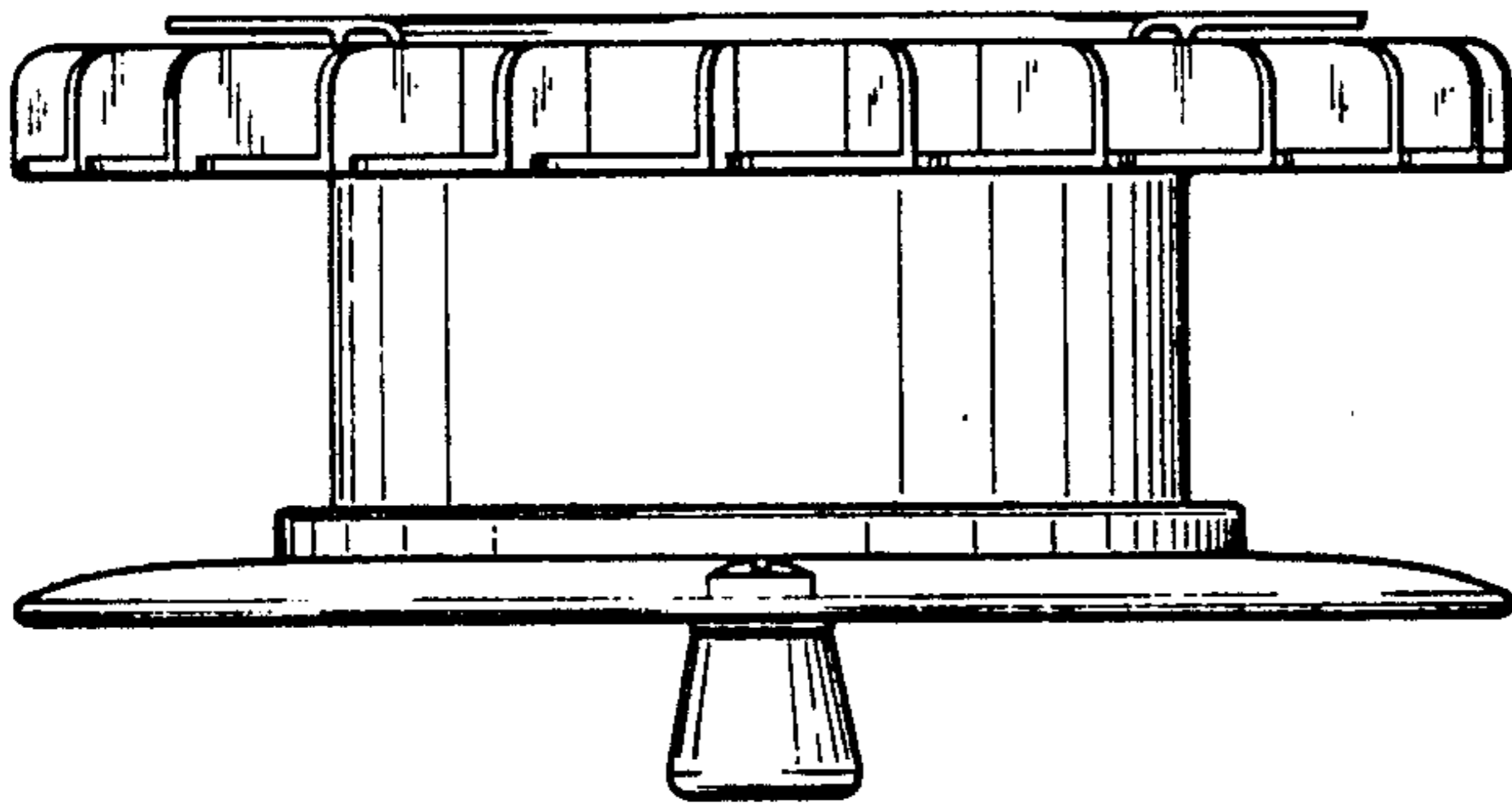


FIG. 4

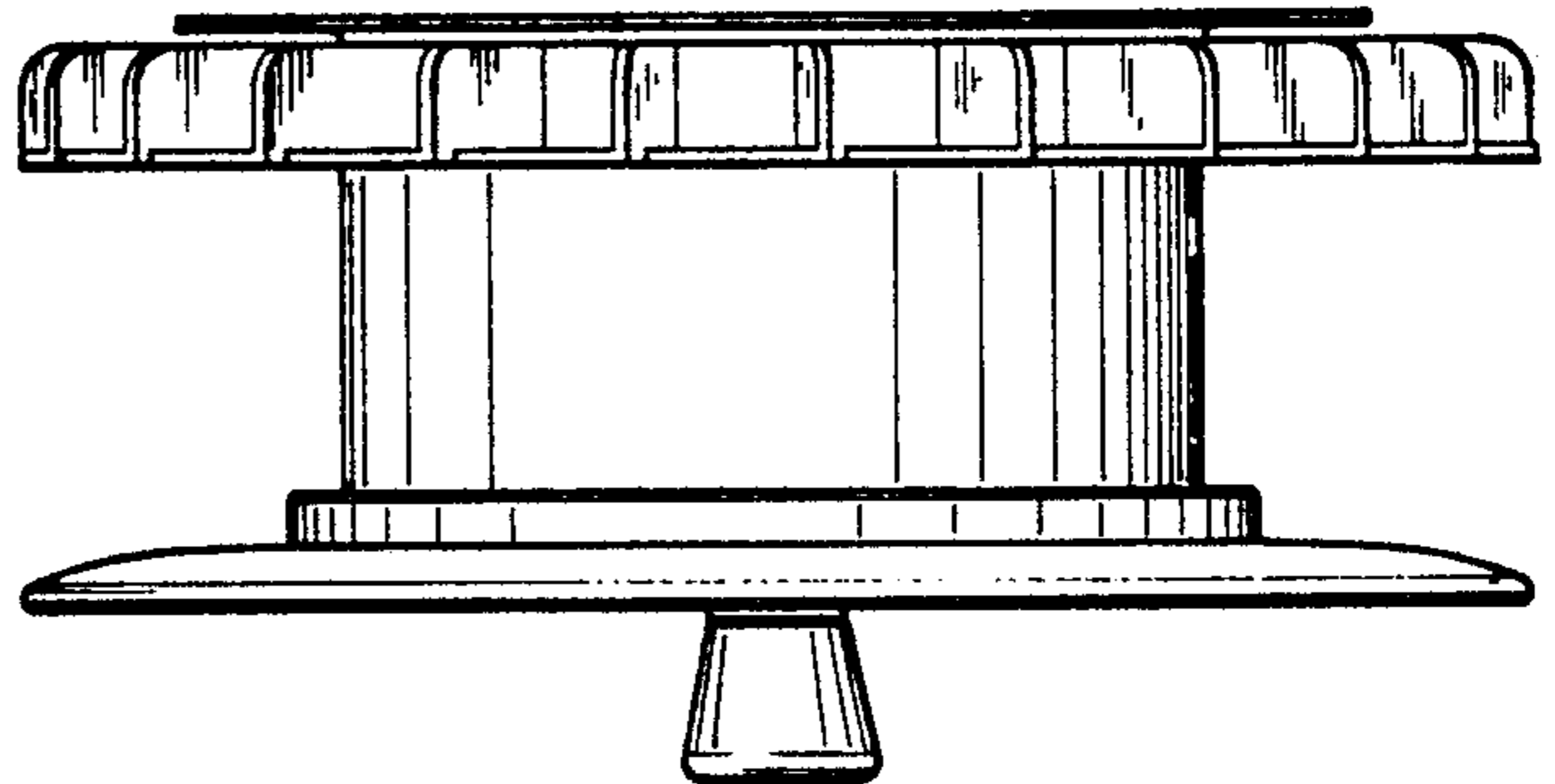


FIG. 5

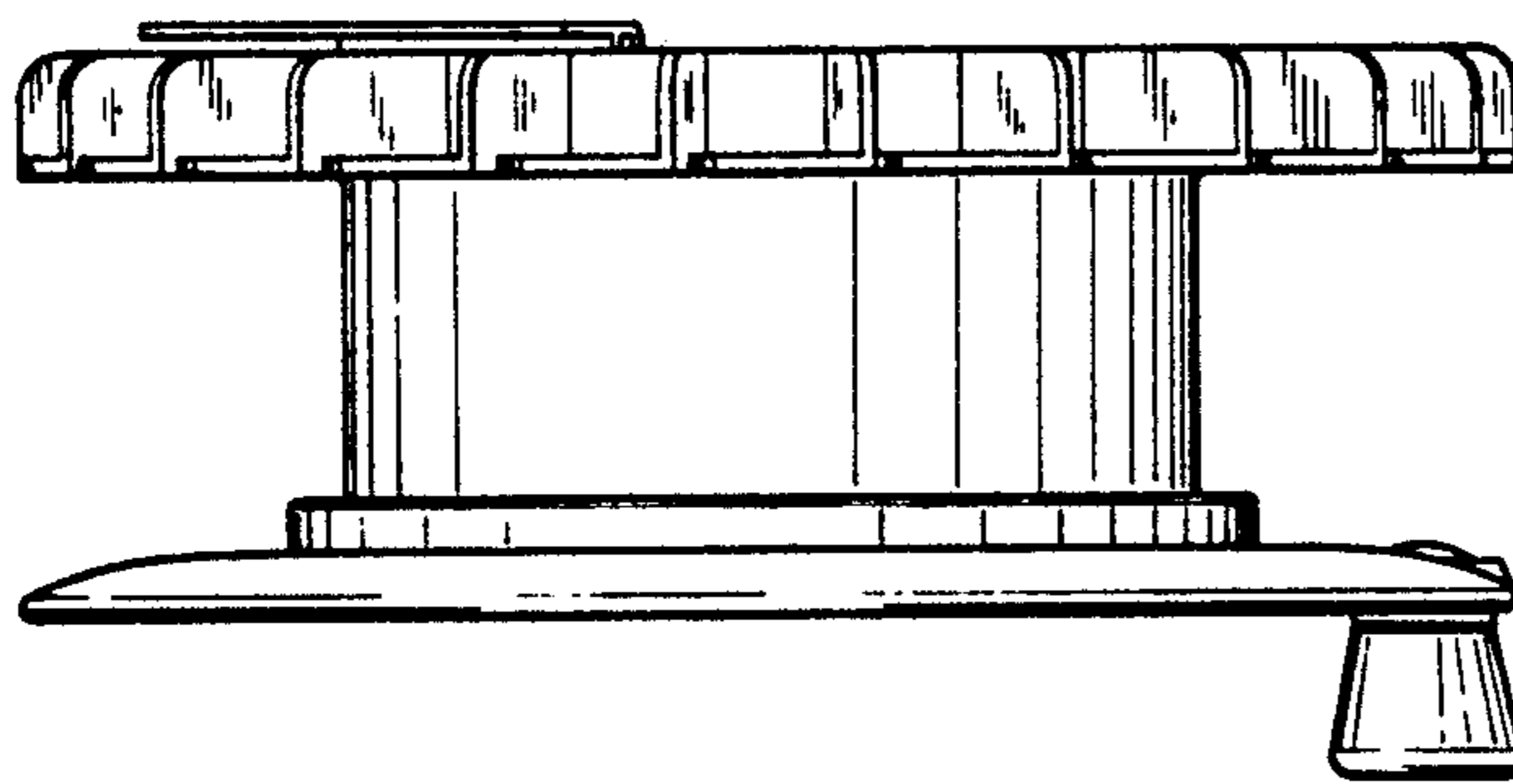


FIG. 6

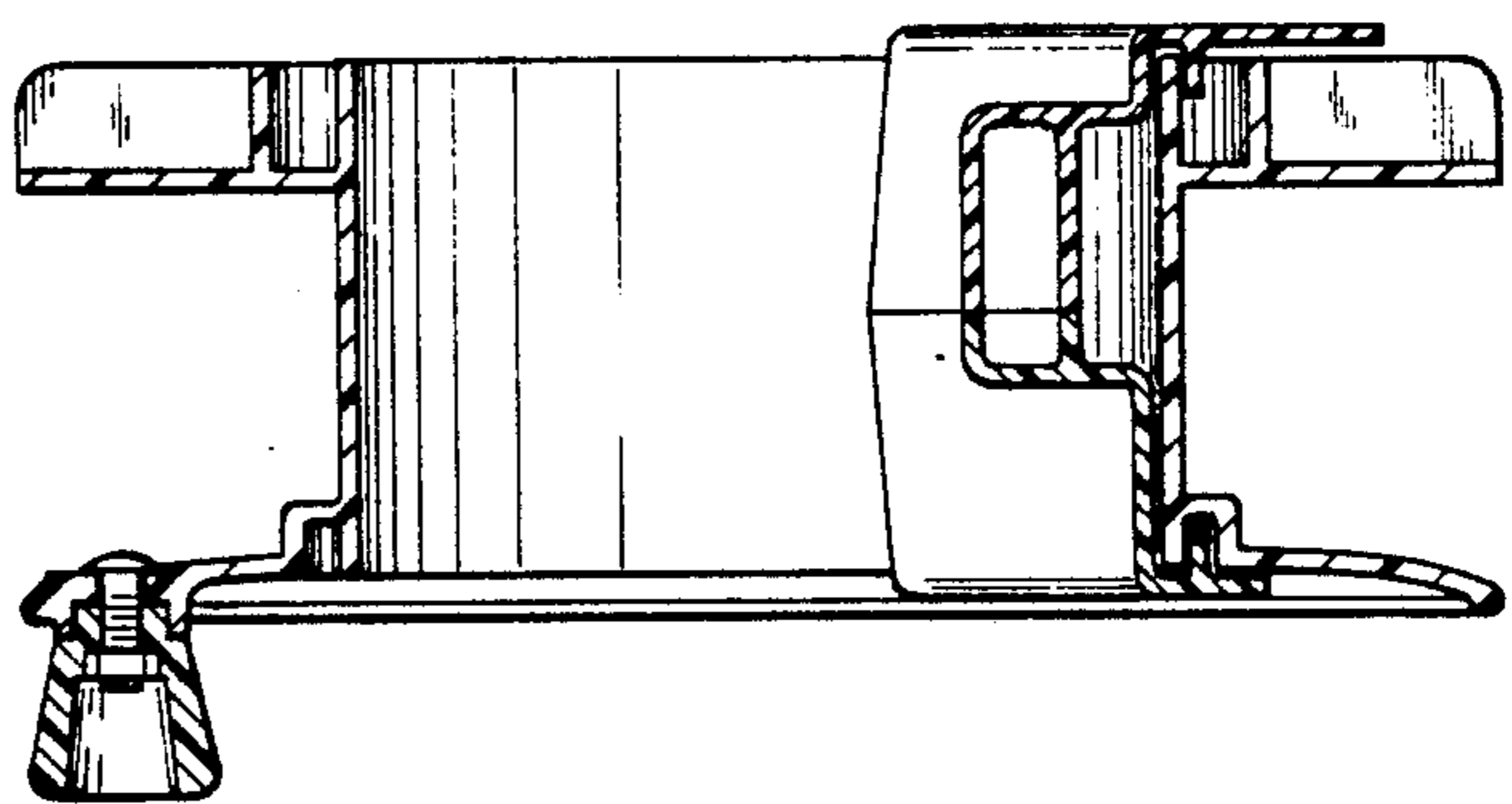


FIG. 7