

United States Patent [19]

Wehmeyer

[11] Patent Number: Des. 312,293

[45] Date of Patent: ** Nov. 20, 1990

[54] **TEETER TOTTER**

[75] Inventor: Stephen D. Wehmeyer, West Falls, N.Y.

[73] Assignee: The Quaker Oats Company, Chicago, Ill.

[**] Term: 14 Years

[21] Appl. No.: 232,577

[22] Filed: Aug. 15, 1988

[52] U.S. Cl. D21/251

[58] Field of Search D21/251; 272/30, 54, 272/55, 56

[56] **References Cited**

U.S. PATENT DOCUMENTS

D. 257,685 12/1980 Poulin D21/251
3,451,672 6/1969 Kazdan 272/56
3,997,979 12/1976 Turner 272/30

OTHER PUBLICATIONS

Miracle Recreation Equipment Co., Feb. 1973, 47, Twin Rider See-Saw.

Primary Examiner—Melvin B. Feifer
Assistant Examiner—Philip Hyder
Attorney, Agent, or Firm—Cumpston & Shaw

[57] **CLAIM**

The ornamental design for a teeter totter, as shown and described.

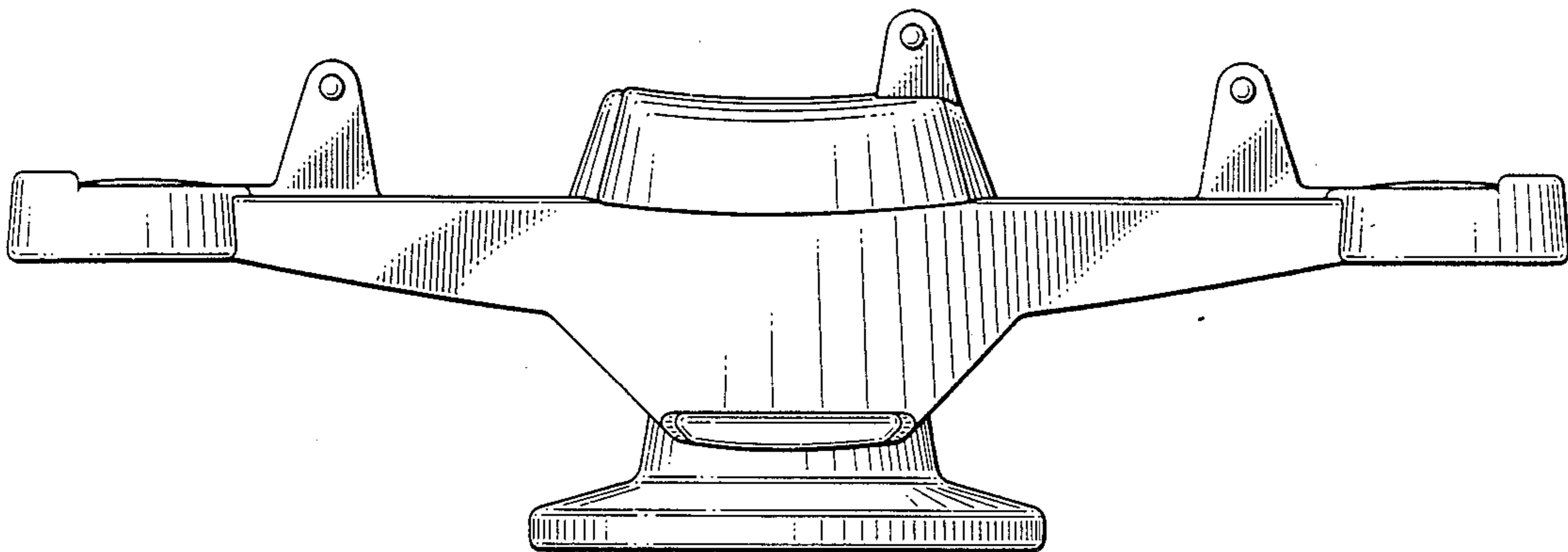
DESCRIPTION

FIG. 1 is a front elevational view of a teeter totter showing my new design, the rear view being a mirror image;

FIG. 2 is a right side elevational view thereof, the left side view appearing the same;

FIG. 3 is a top plan view thereof; and

FIG. 4 is a bottom plan view thereof.



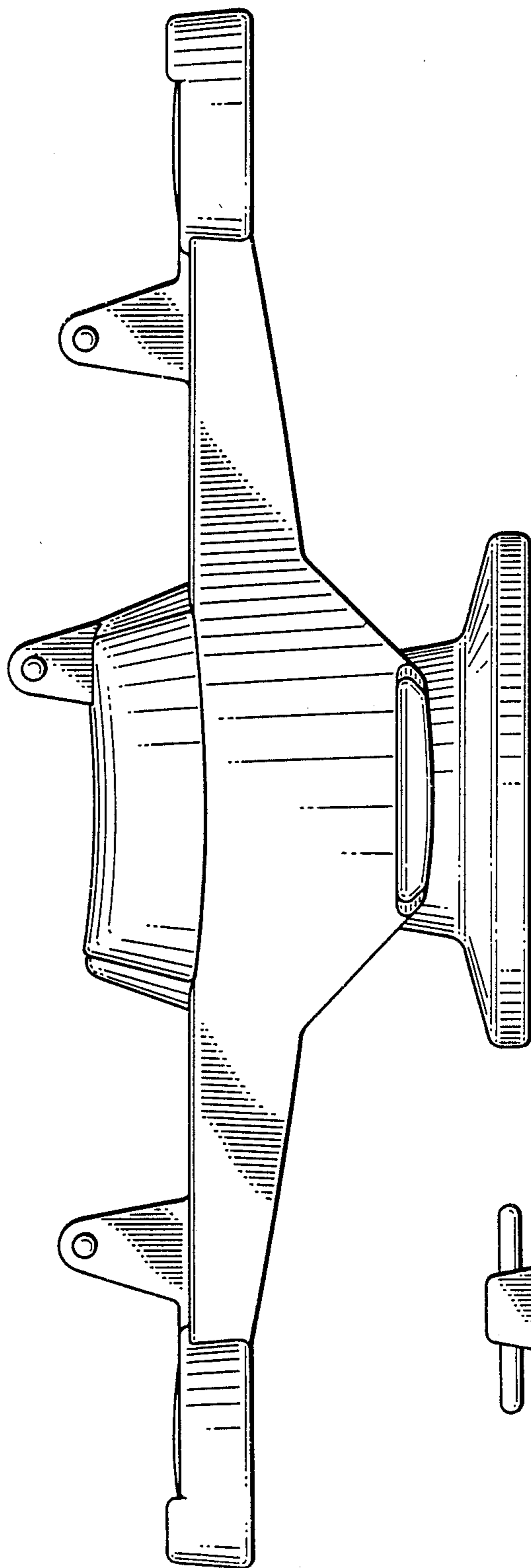


FIG. 1

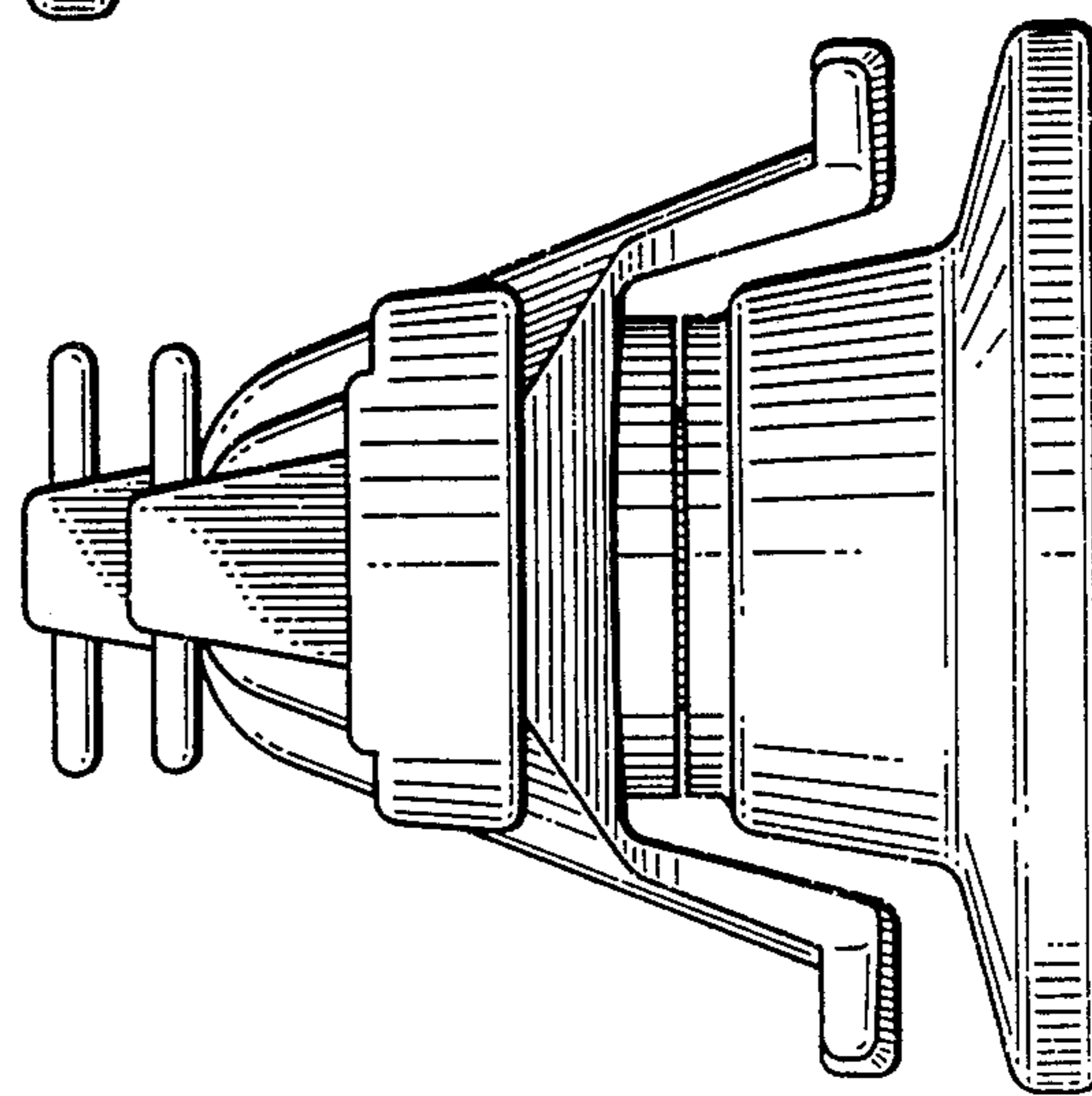


FIG. 2

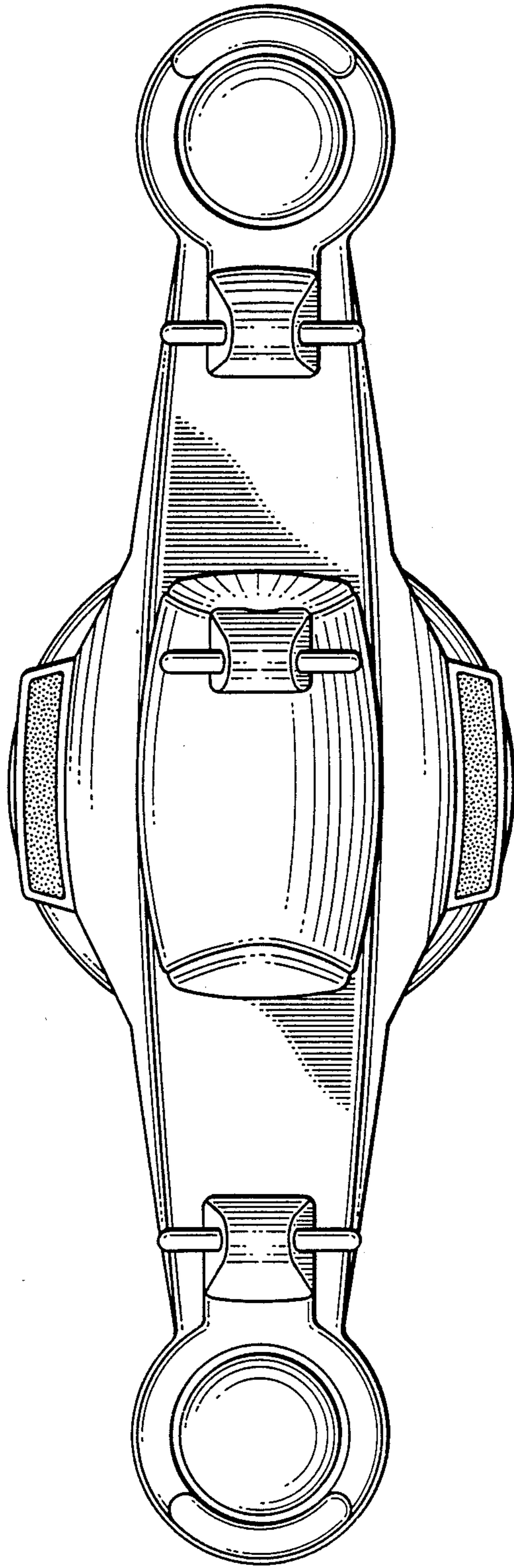


FIG. 3

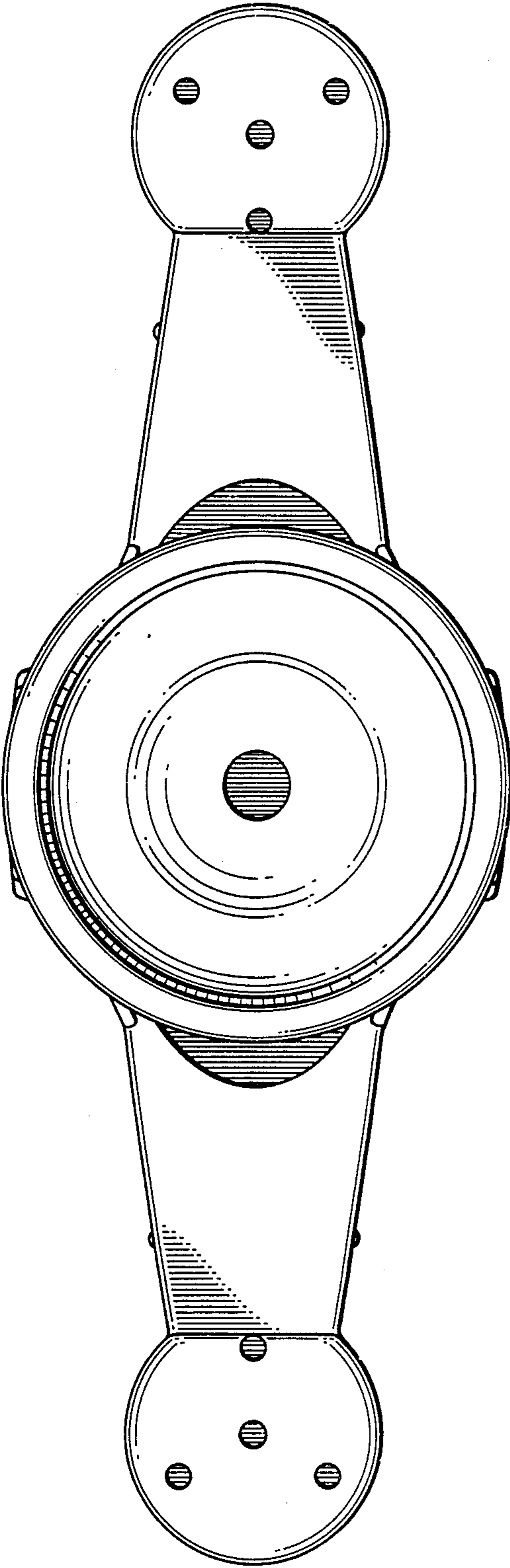


FIG. 4