

**United States Patent** [19]  
**Kelly**

[11] **Patent Number: Des. 312,282**  
[45] **Date of Patent: \*\* Nov. 20, 1990**

[54] **TOY BUILDING FACADE**  
[75] **Inventor: Ray G. Kelly, Kirkwood, Mo.**  
[73] **Assignee: Angeles Nursery Toy, Inc., Pacific, Mo.**  
[\*\*] **Term: 14 Years**  
[21] **Appl. No.: 129,673**  
[22] **Filed: Dec. 7, 1987**  
[52] **U.S. Cl. .... D21/114**  
[58] **Field of Search .... D21/59, 109, 121; D6/384, 396; D25/58, 60; 272/21, 9**

1,419,976 6/1922 Mathews ..... 446/82  
2,086,728 7/1937 Morrow ..... 446/82

*Primary Examiner*—Charles A. Rademaker  
*Attorney, Agent, or Firm*—Paul M. Denk

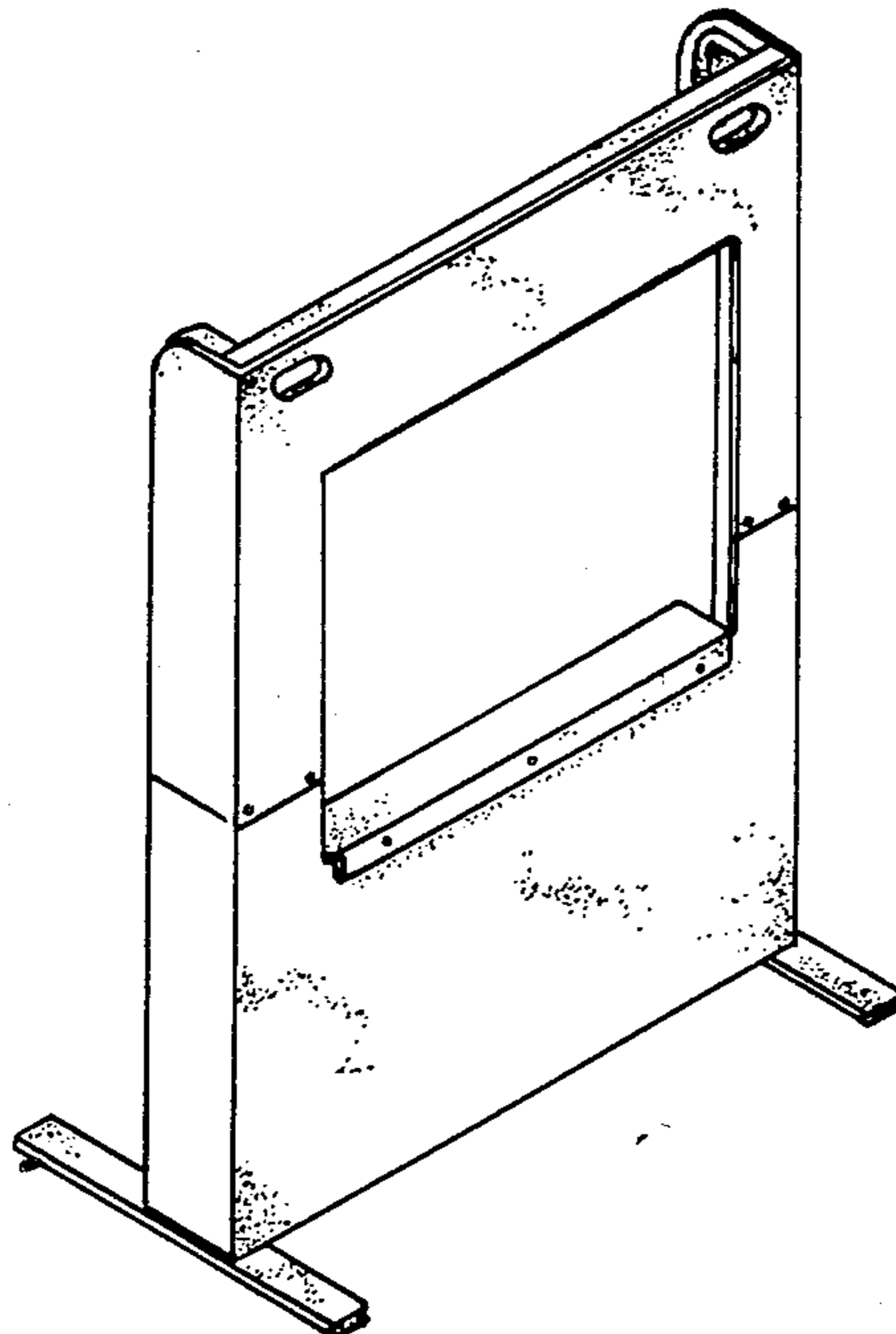
[57] **CLAIM**

The ornamental design for a toy building facade, as shown and described.

**DESCRIPTION**

FIG. 1 is a front perspective view of a toy building facade showing my new design;  
FIG. 2 is a front elevational view thereof;  
FIG. 3 is a rear perspective view thereof;  
FIG. 4 is a rear elevational view thereof;  
FIG. 5 is a top plan view thereof;  
FIG. 6 is a bottom plan view thereof; and,  
FIG. 7 is a left side elevational view thereof, the side opposite being a mirror image.

[56] **References Cited**  
**U.S. PATENT DOCUMENTS**  
D. 223,331 4/1972 Neerinx ..... D6/384  
D. 247,721 4/1978 Wax ..... D21/121



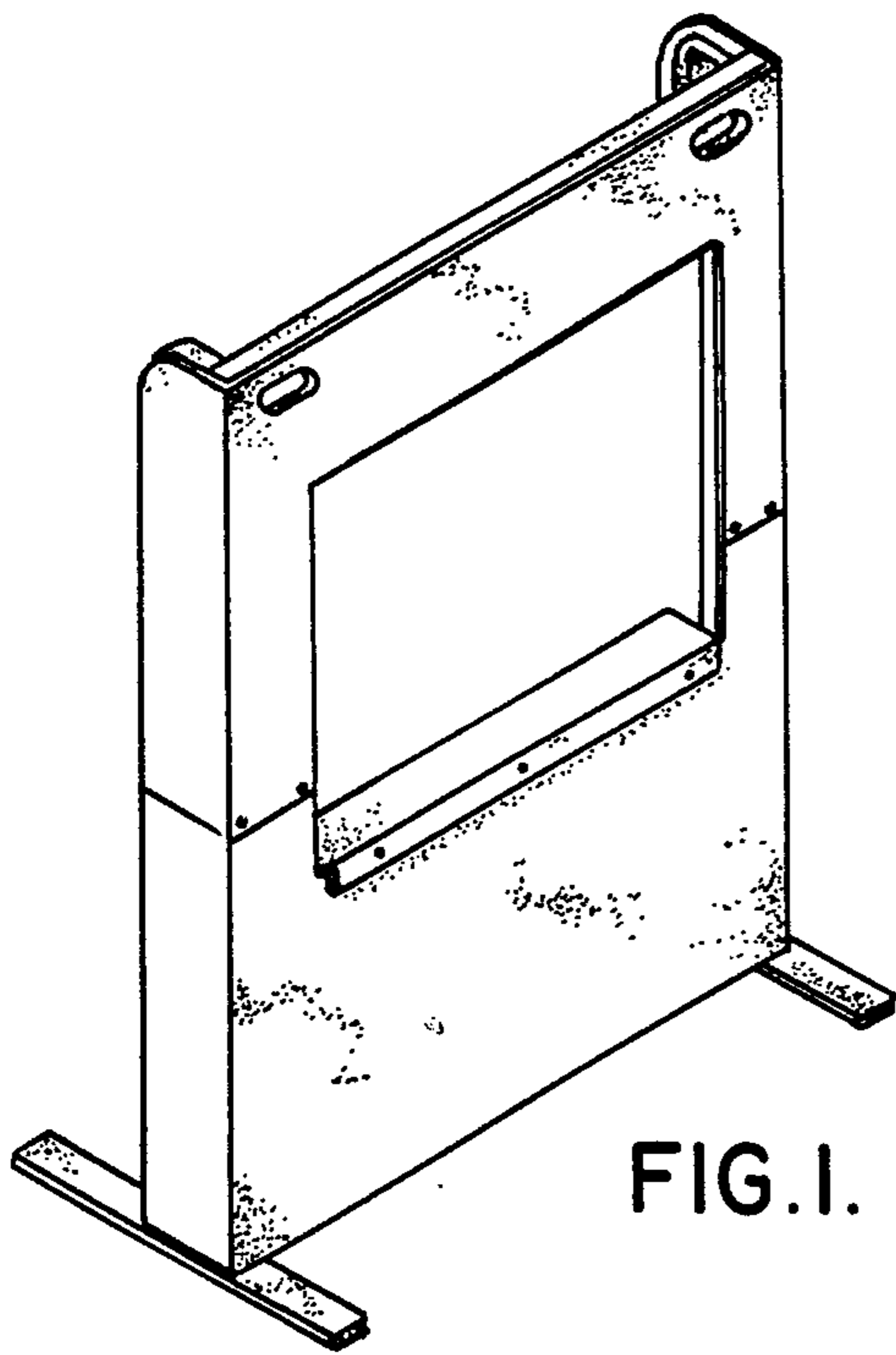


FIG. 1.

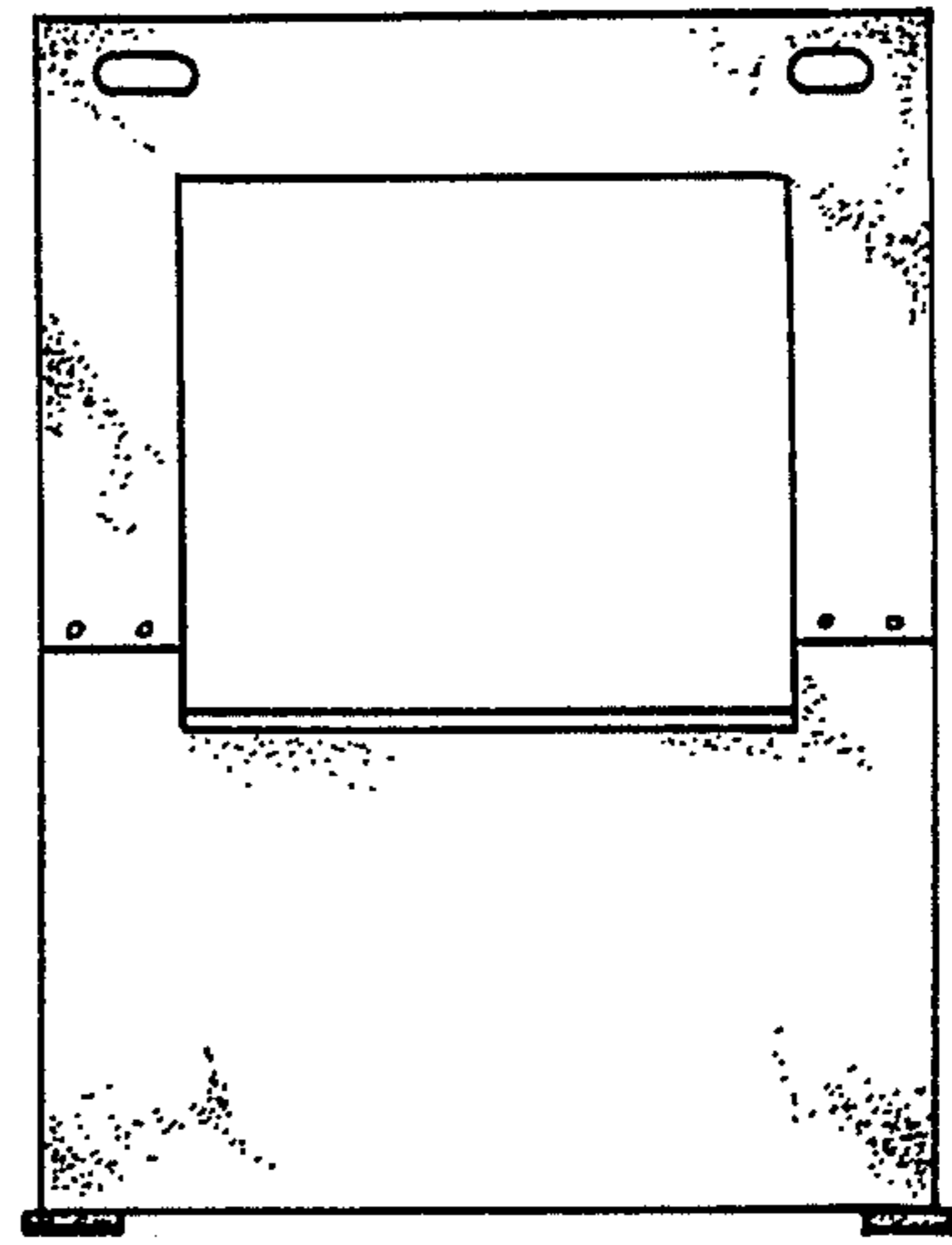


FIG. 2.

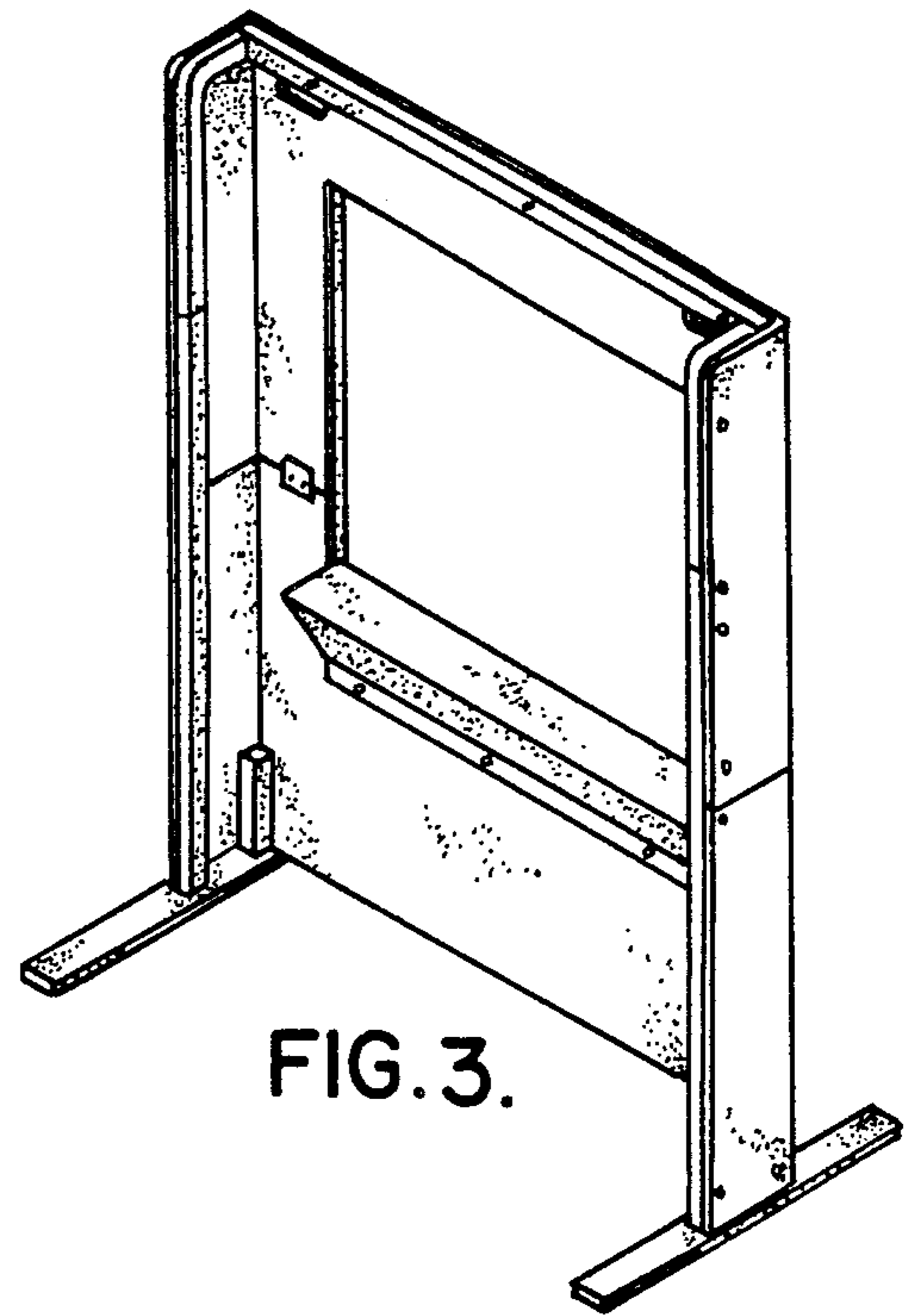


FIG. 3.

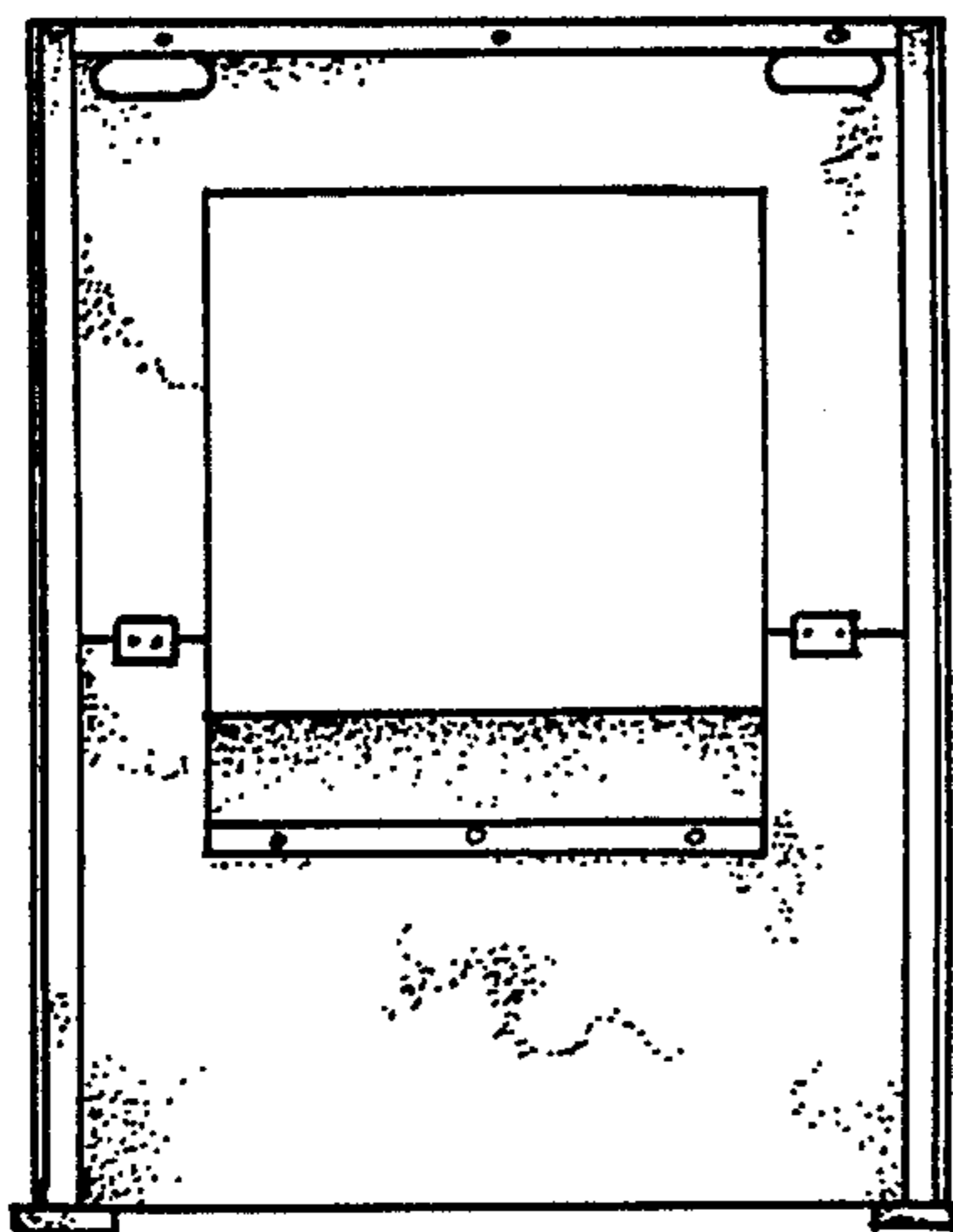


FIG. 4.

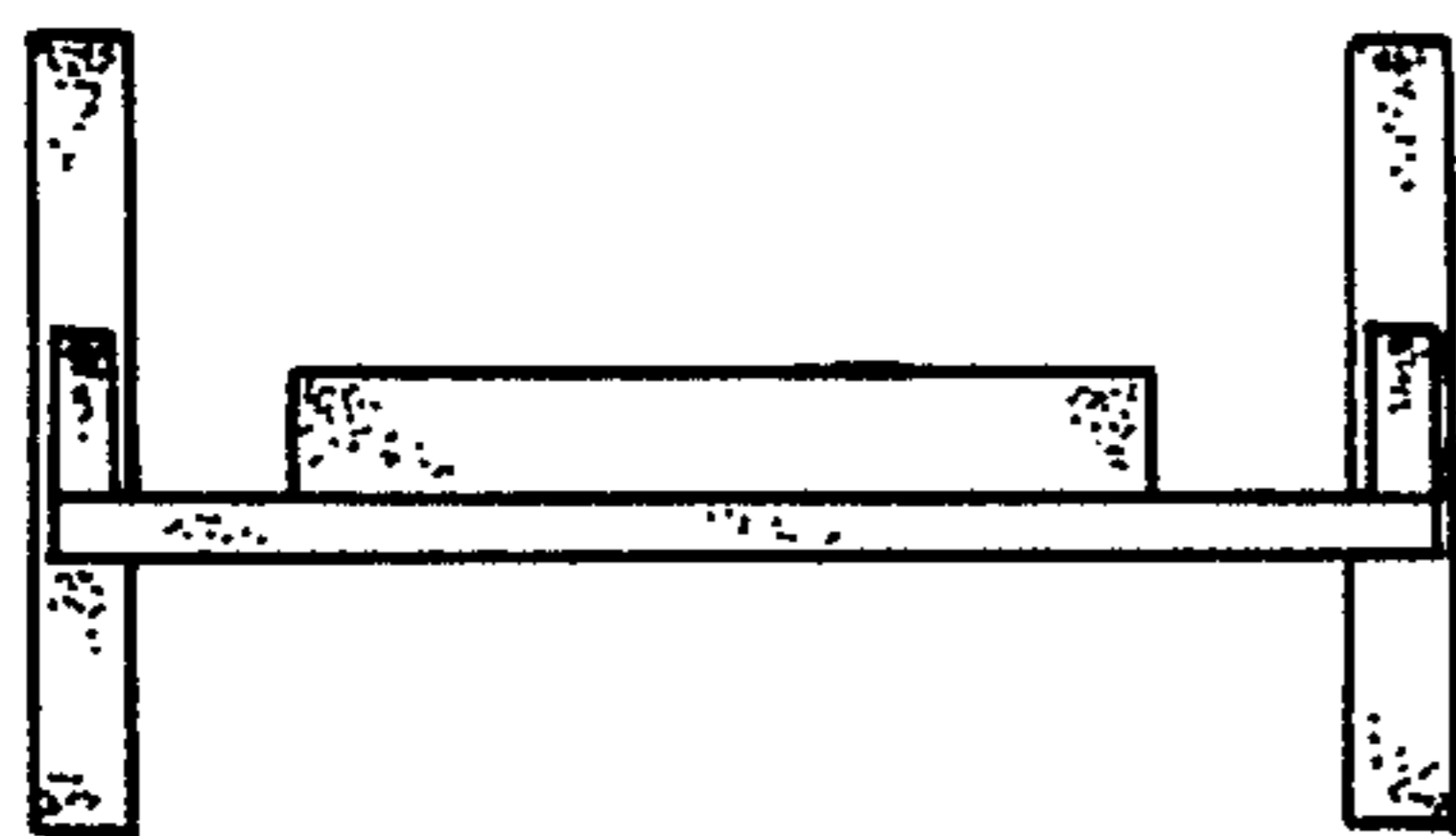


FIG. 5.

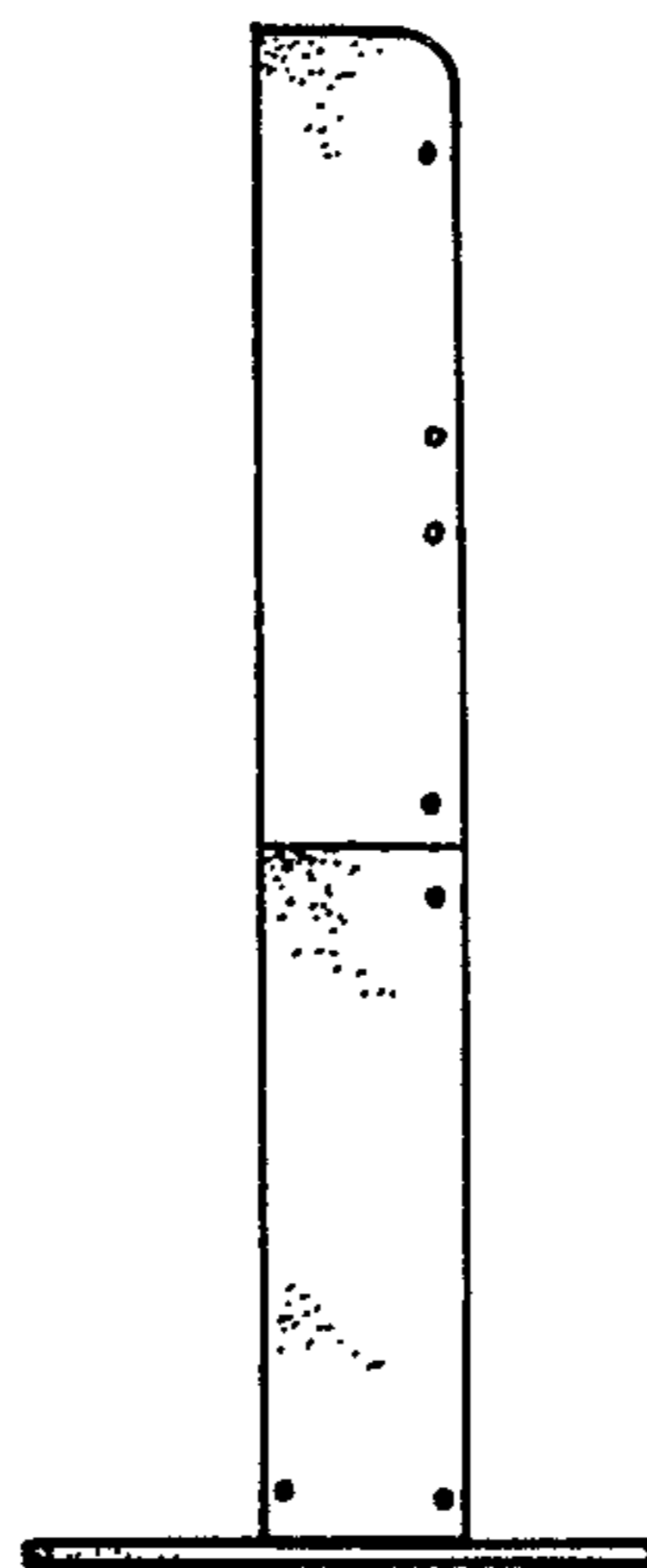


FIG. 7.

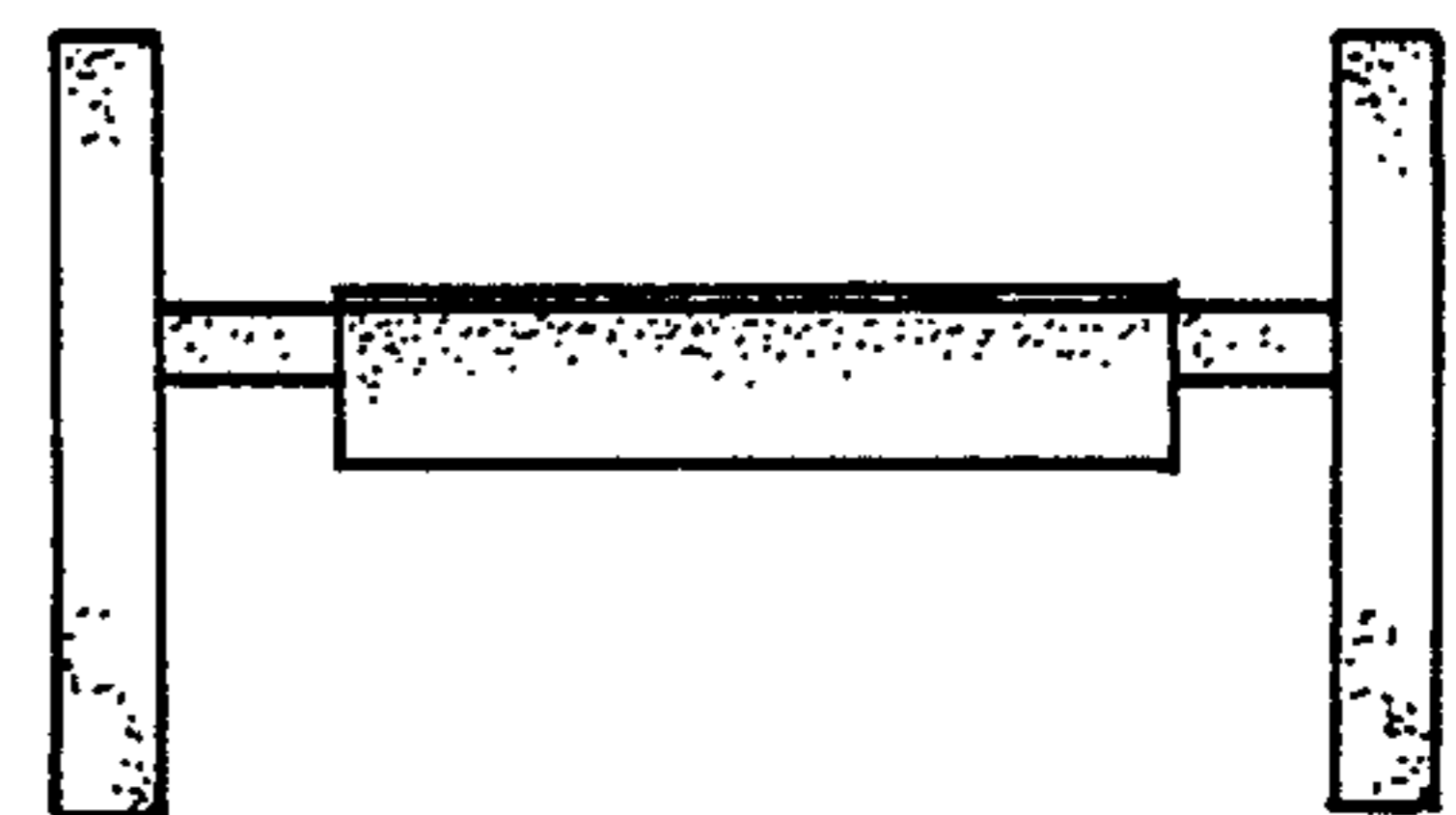


FIG. 6.