

[54] **CALENDAR HOLDER**

[76] **Inventor: Beverly C. Rich, 1310 Maywood Ave., Ruxton, Md. 21204**

[**] **Term: 14 Years**

[21] **Appl. No.: 172,341**

[22] **Filed: Mar. 24, 1988**

[52] **U.S. Cl. D19/20**

[58] **Field of Search D19/20, 21, 22, 25; 40/120, 107, 118; 283/1 A, 98, 1 B, 48.1, 36, 92, 94, 72; 281/15.1**

[56] **References Cited**

U.S. PATENT DOCUMENTS

14,442 3/1918 Hale 40/120
D. 233,567 11/1974 Perry D19/20

FOREIGN PATENT DOCUMENTS

227151 8/1943 Switzerland 281/15.1

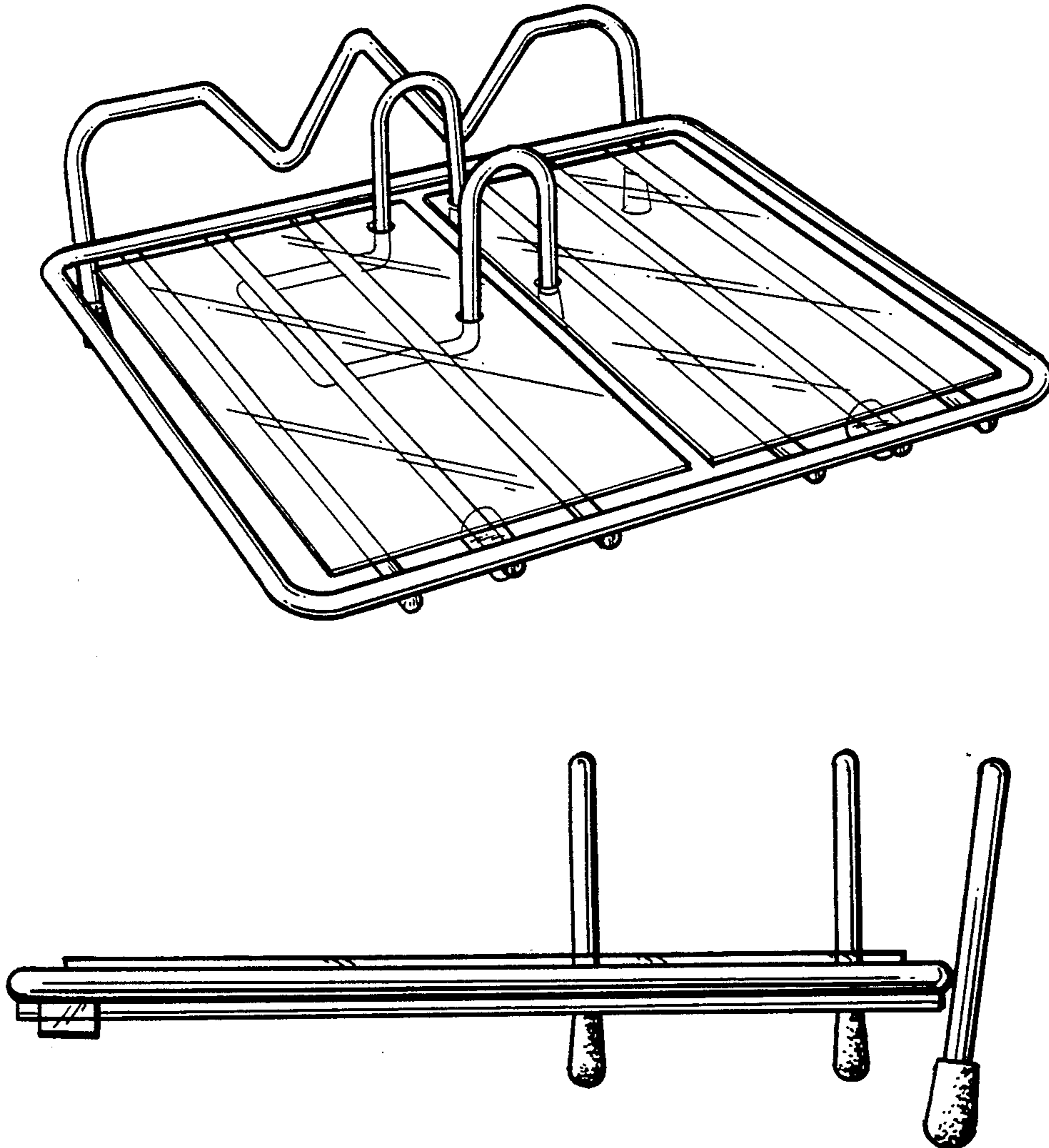
Primary Examiner—Wallace R. Burke
Assistant Examiner—Pamela J. Schmidt
Attorney, Agent, or Firm—Walter G. Finch

[57] **CLAIM**

The ornamental design for a calendar holder, as shown and described.

DESCRIPTION

FIG. 1 is a perspective view of a calendar holder showing my new design;
FIG. 2 is a front elevational view thereof;
FIG. 3 is a top plan view thereof;
FIG. 4 is a side elevational view thereof, the undisclosed side being the same;
FIG. 5 is a rear elevational view thereof; and
FIG. 6 is a bottom plan view thereof.



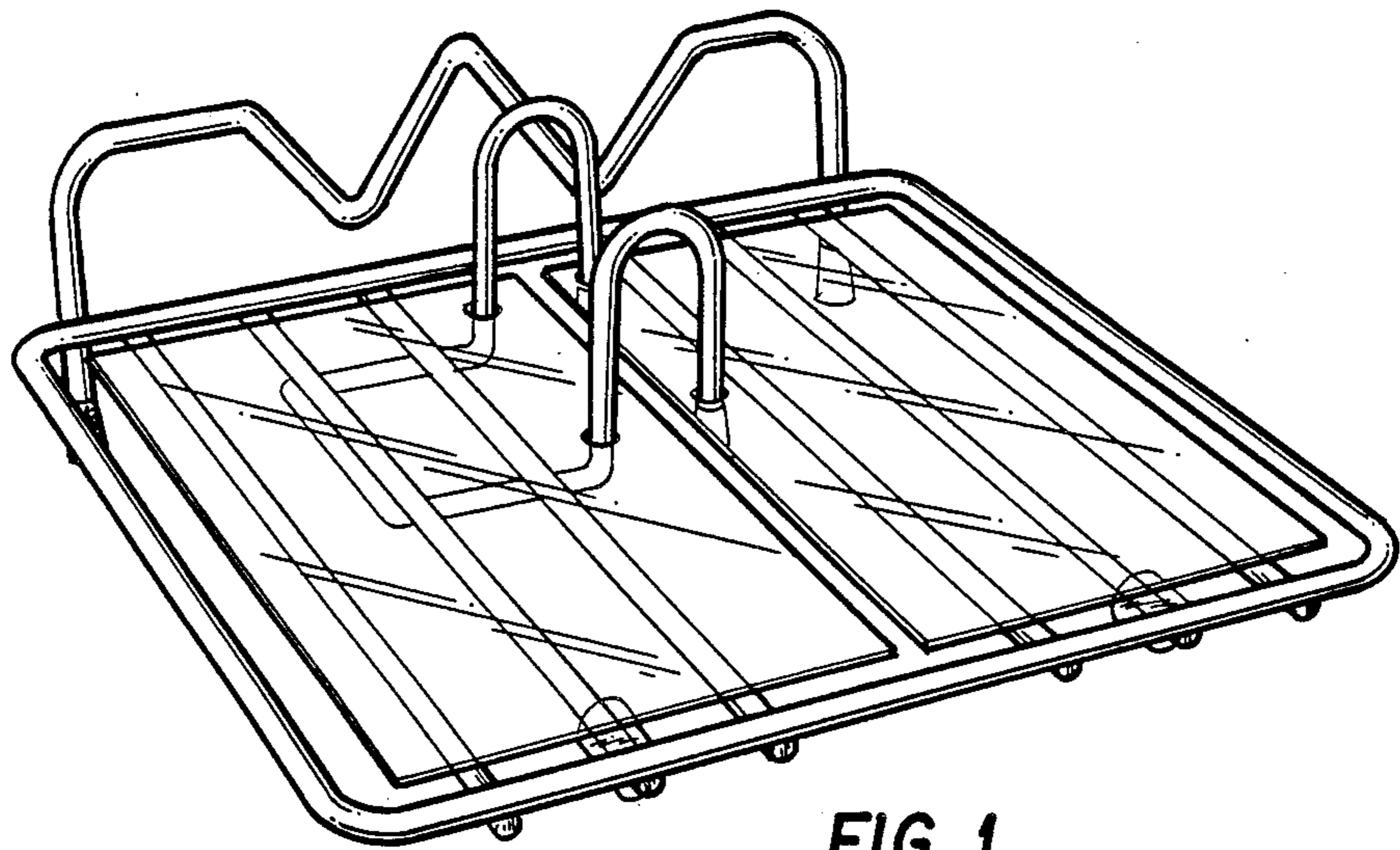


FIG. 1

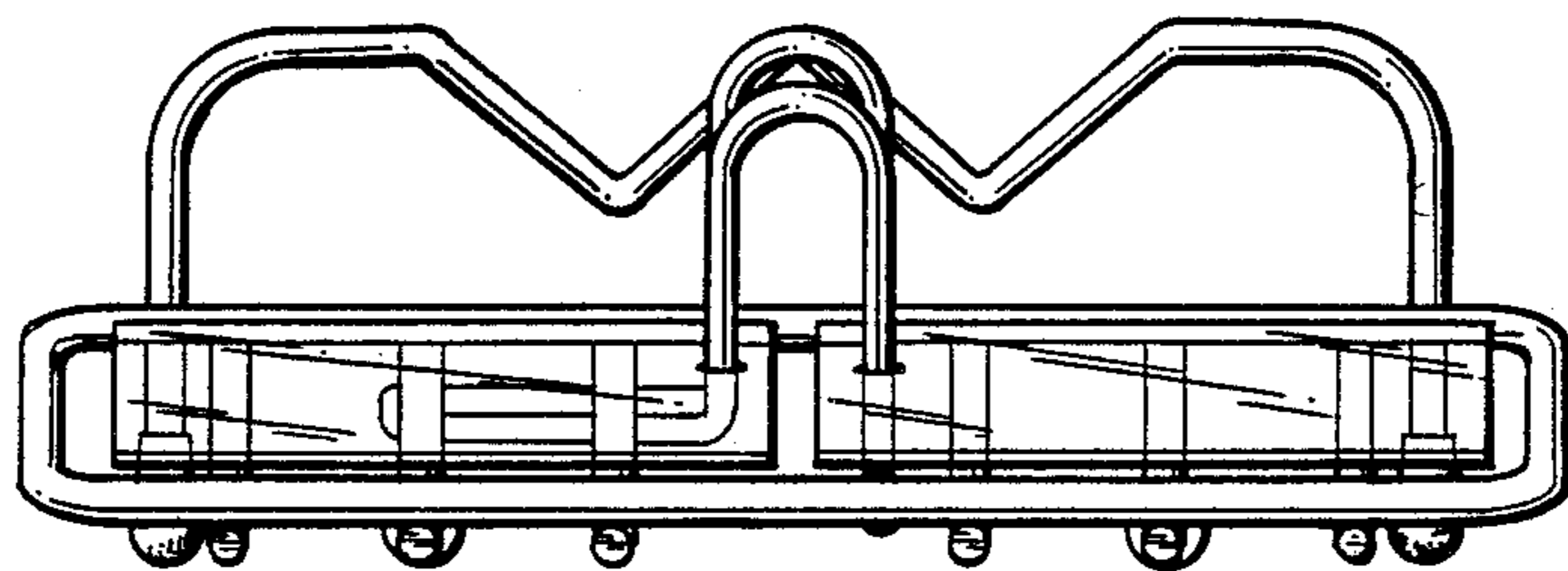


FIG. 2

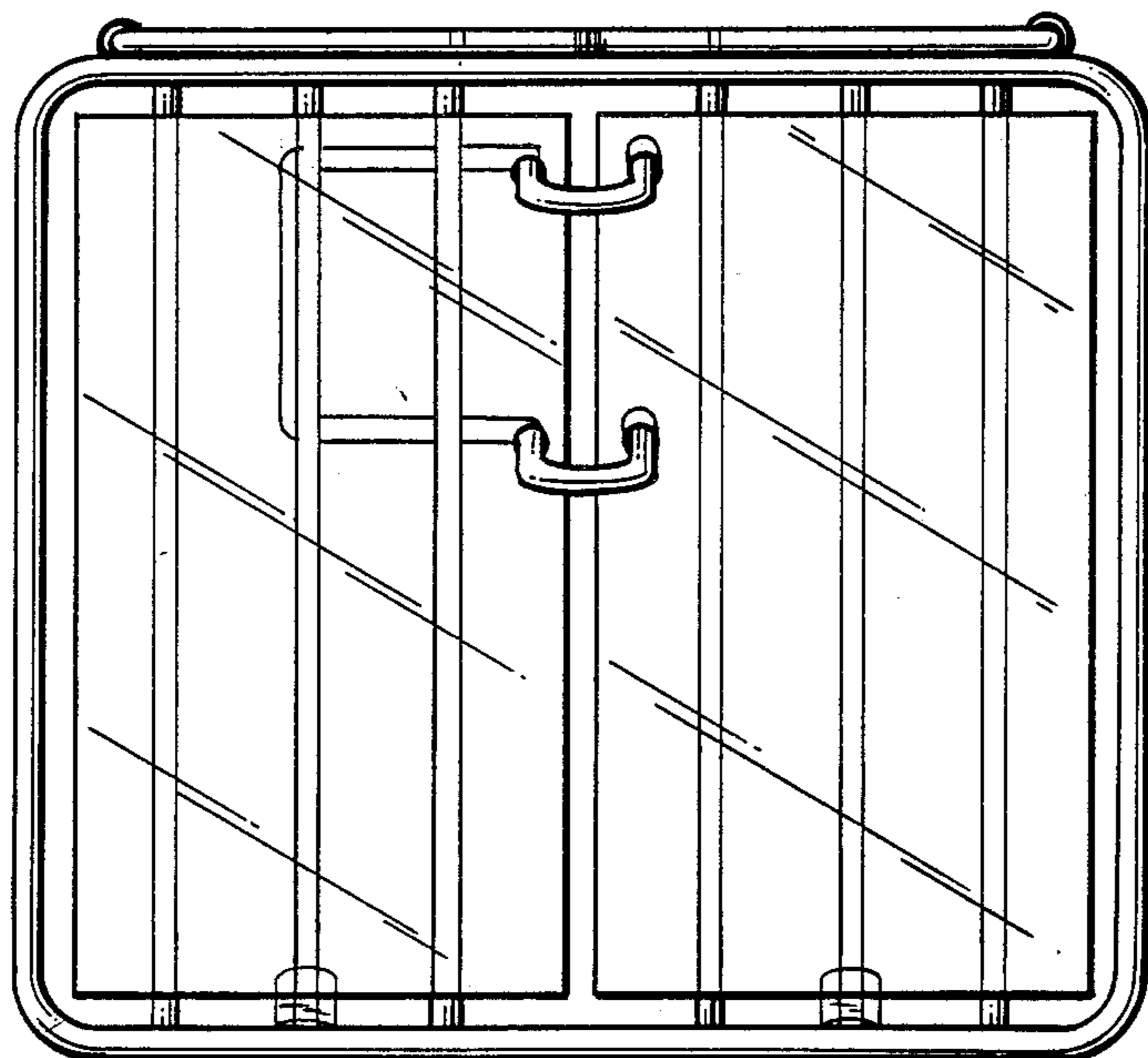


FIG. 3

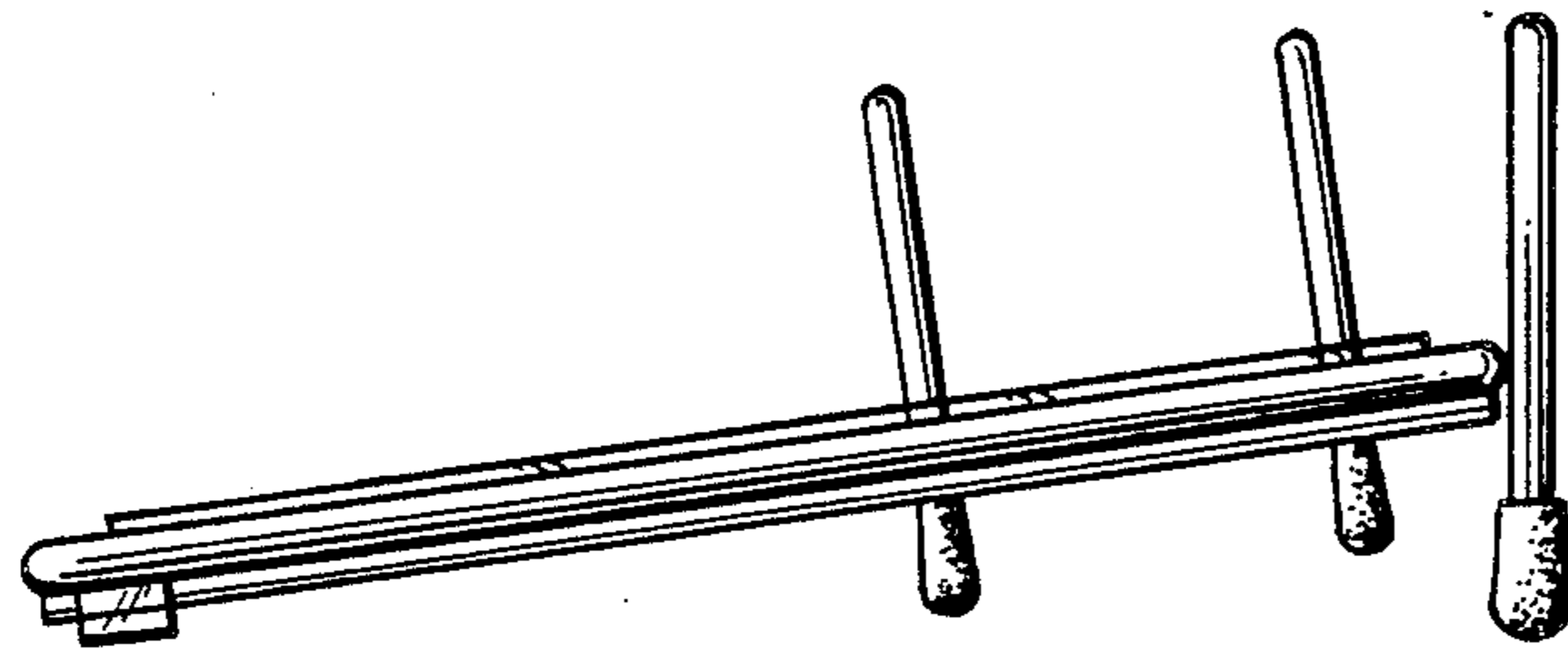


FIG. 4

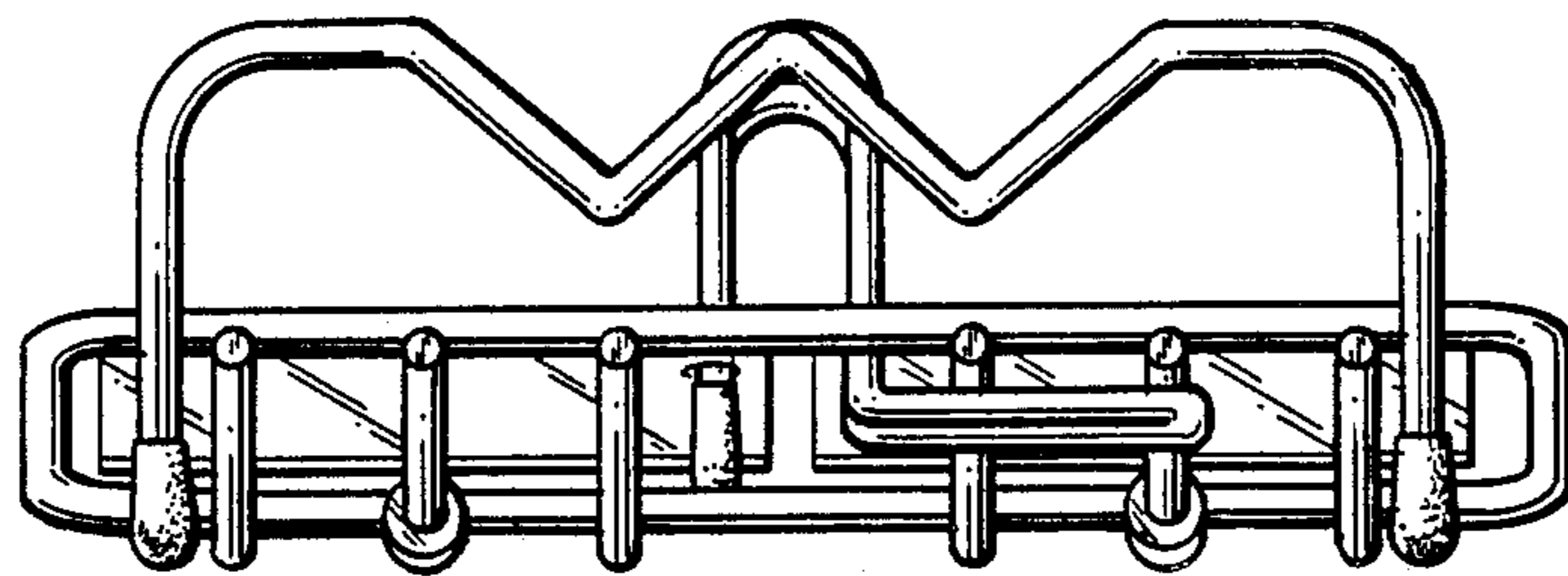


FIG. 5

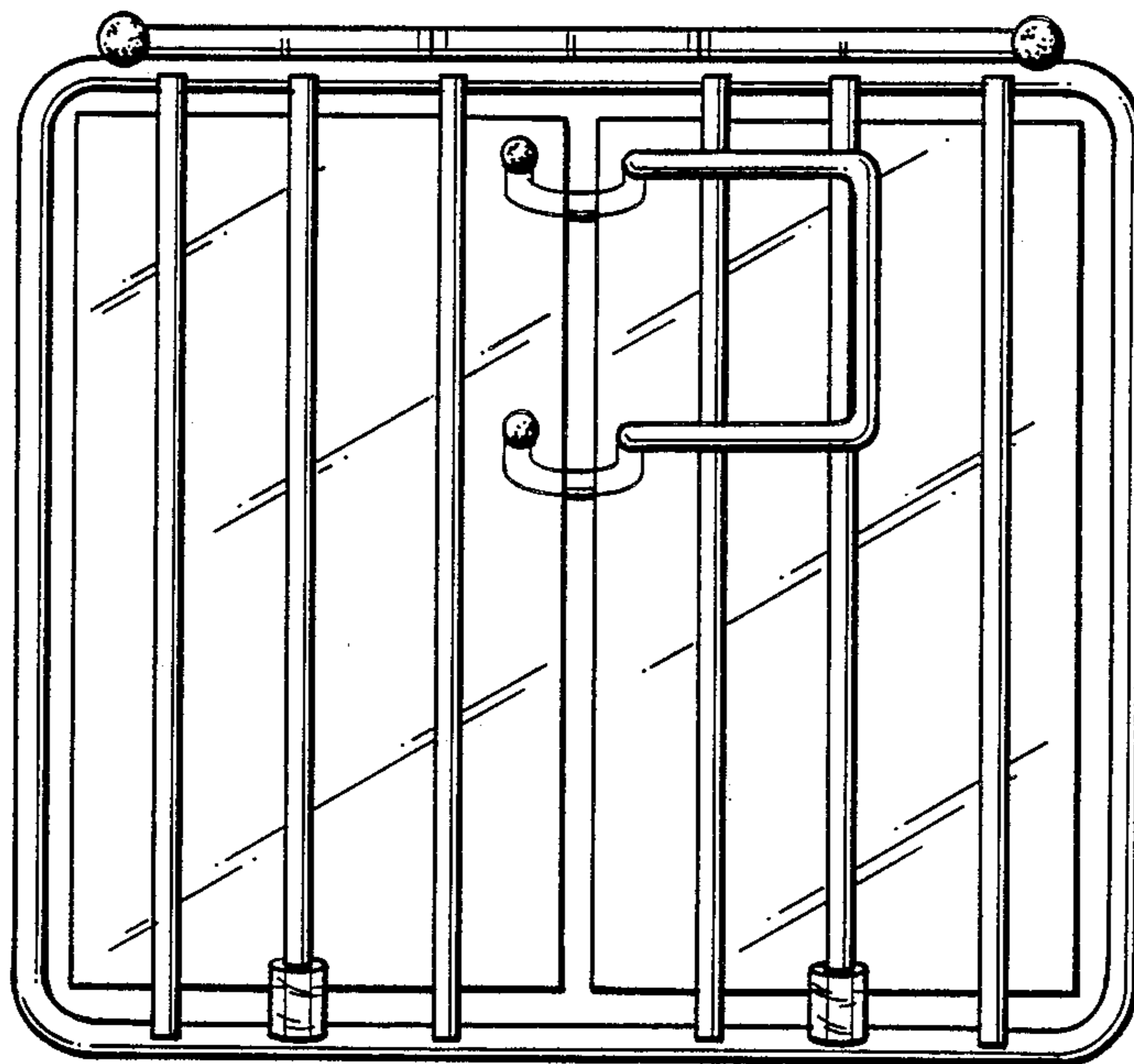


FIG. 6