

United States Patent [19]

Takamatsu et al.

[11] Patent Number: Des. 312,272

[45] Date of Patent: ** Nov. 20, 1990

[54] DEVELOPER CARTRIDGE

[75] Inventors: Junichi Takamatsu, Hannan;
Kazunori Akiyama, Suita, both of
Japan

[73] Assignee: Mita Industrial Co., Ltd., Osaka,
Japan

[**] Term: 14 Years

[21] Appl. No.: 242,084

[22] Filed: Sep. 8, 1988

[30] Foreign Application Priority Data

Apr. 15, 1988 [JP] Japan 63-15484

[52] U.S. Cl. D18/43

[58] Field of Search D18/40, 43; D9/306,
D9/373, 385, 390, 393, 399, 415, 418, 424, 425,
432; 222/166, 325, DIG. 1; 206/316, 446, 461,
474, 495, 532, 601, 628, 631; 355/200, 245, 260

[56] References Cited

U.S. PATENT DOCUMENTS

D. 238,658 2/1976 Stone D18/43
D. 245,761 9/1977 Alseth et al. D18/43
D. 277,289 1/1985 Sabin D18/43

D. 286,297 10/1986 Clowe et al. D18/43
D. 286,541 11/1986 Takahashi et al. D18/43
D. 298,256 10/1988 Shibata D18/43
D. 298,331 11/1988 Takahashi et al. D18/43
D. 298,337 11/1988 Iseki D18/43
3,250,439 5/1966 Ferrari et al. 222/DIG. 1
4,361,112 11/1982 Dinallo, Sr. et al. 355/260

Primary Examiner—Nelson C. Holtje
Assistant Examiner—Caron D. Veynar
Attorney, Agent, or Firm—Jordan and Hamburg

[57] CLAIM

The ornamental design for a developer cartridge as shown.

DESCRIPTION

FIG. 1 is a right front perspective view of a developer cartridge showing our new design;
FIG. 2 is a front elevational view thereof;
FIG. 3 is a rear elevational view thereof;
FIG. 4 is a top plan view thereof;
FIG. 5 is a bottom plan view thereof;
FIG. 6 is a left side elevational view thereof, on a larger scale; and
FIG. 7 is a right side elevational view thereof on a larger scale.

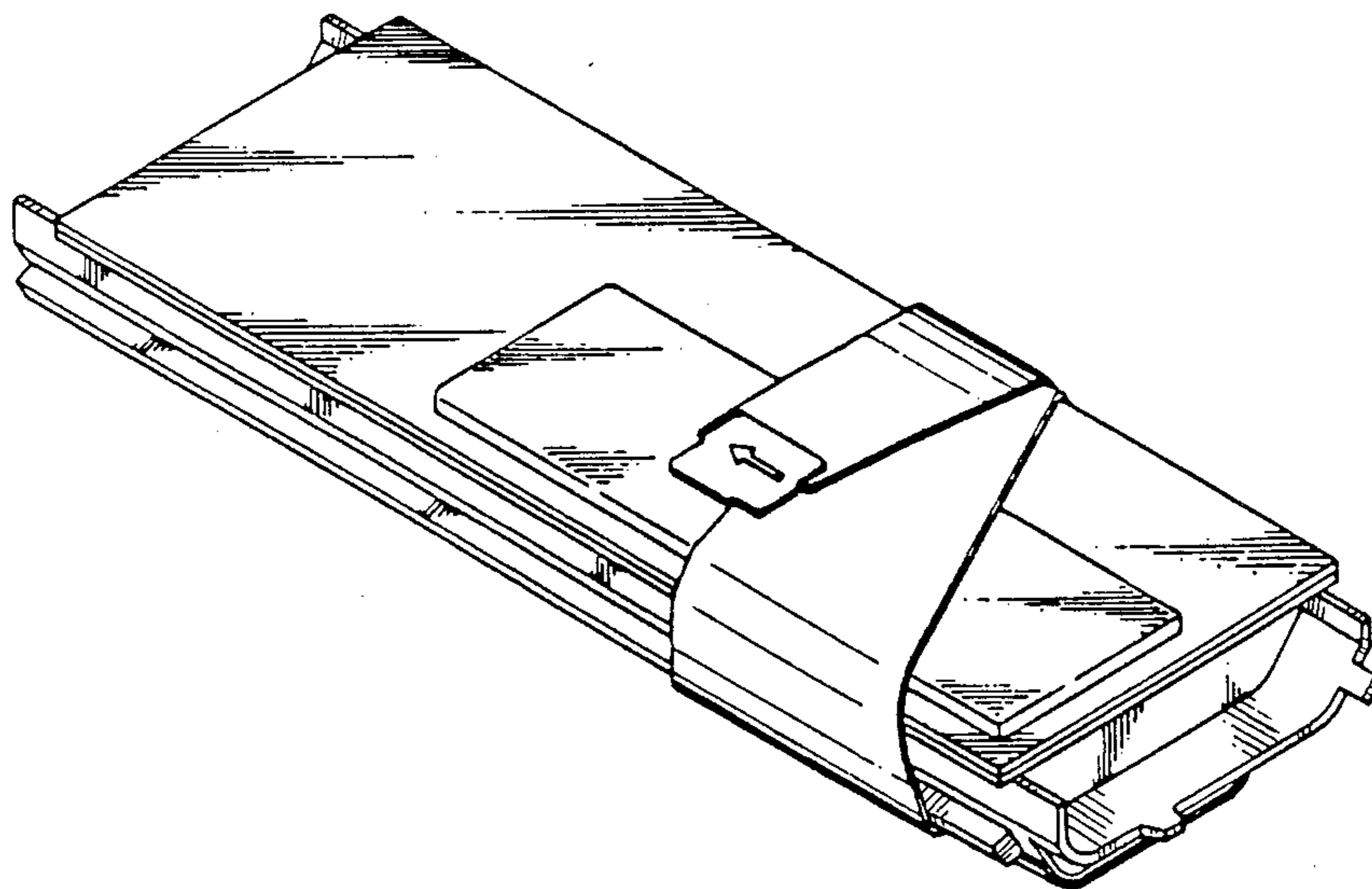


FIG. 1

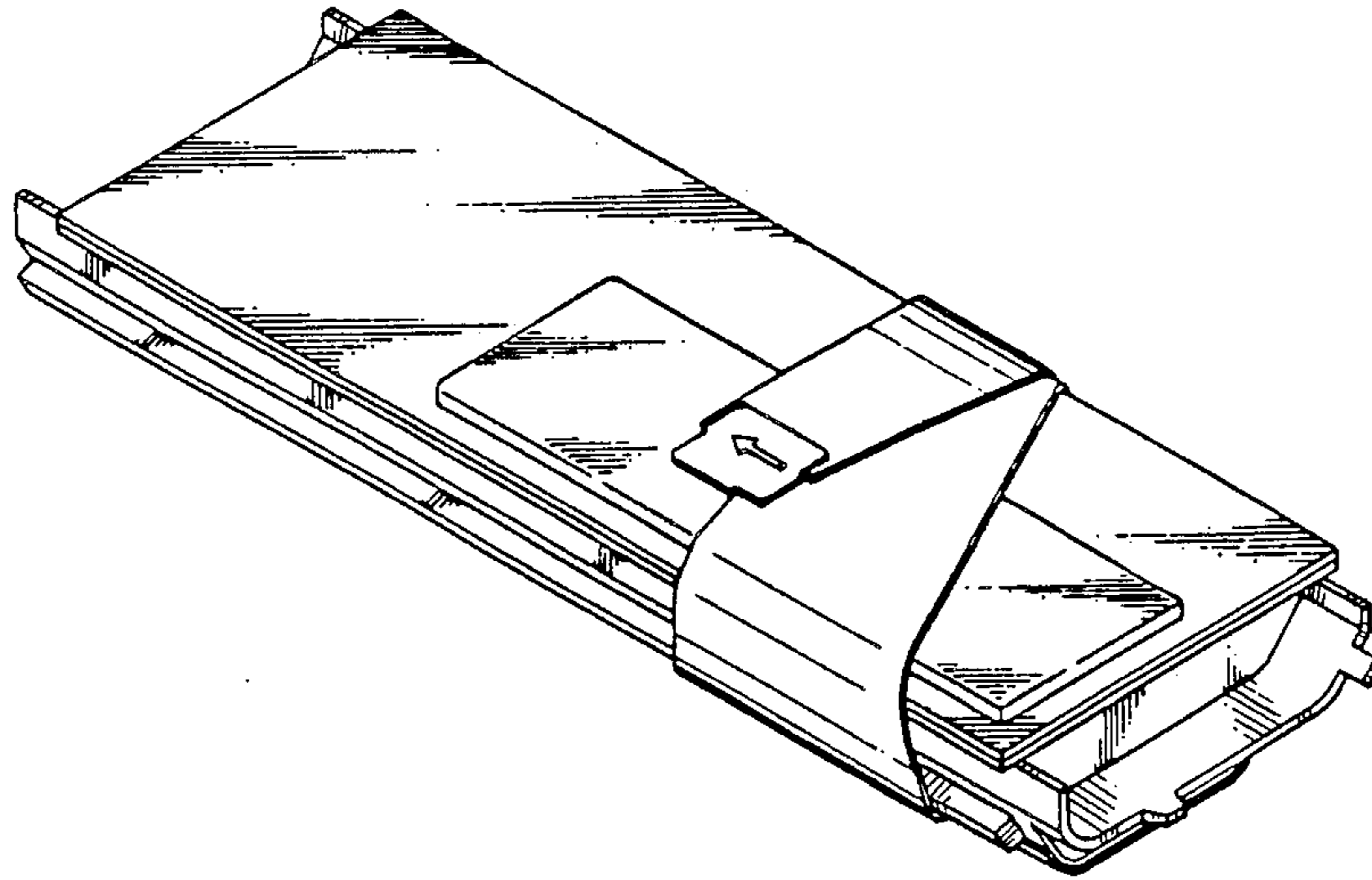


FIG. 2

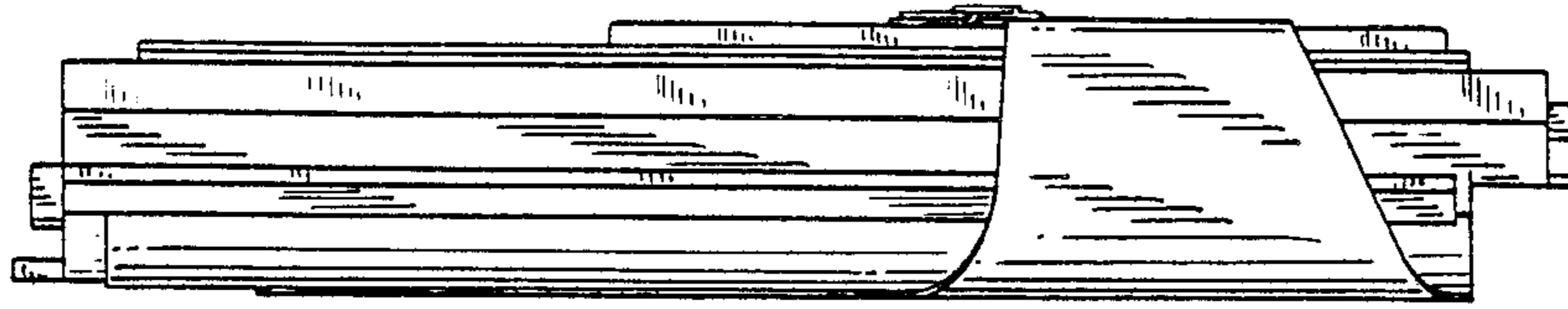


FIG. 3

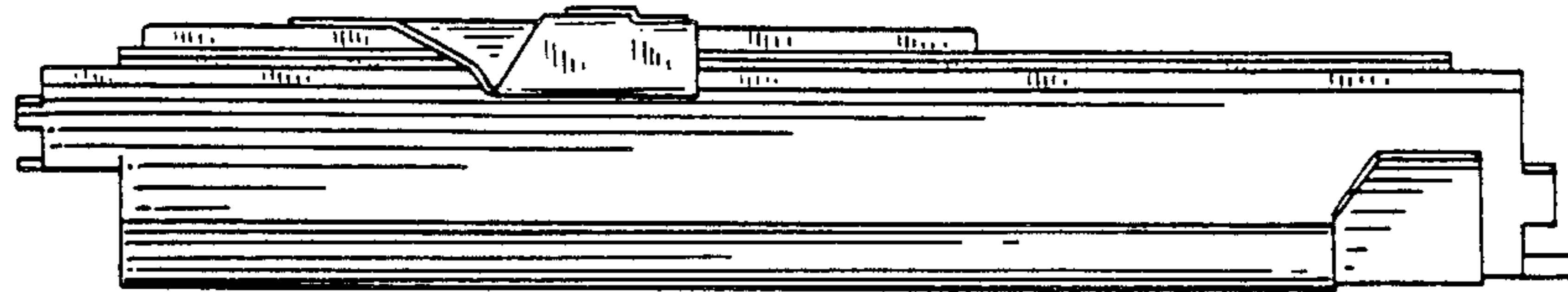


FIG. 4

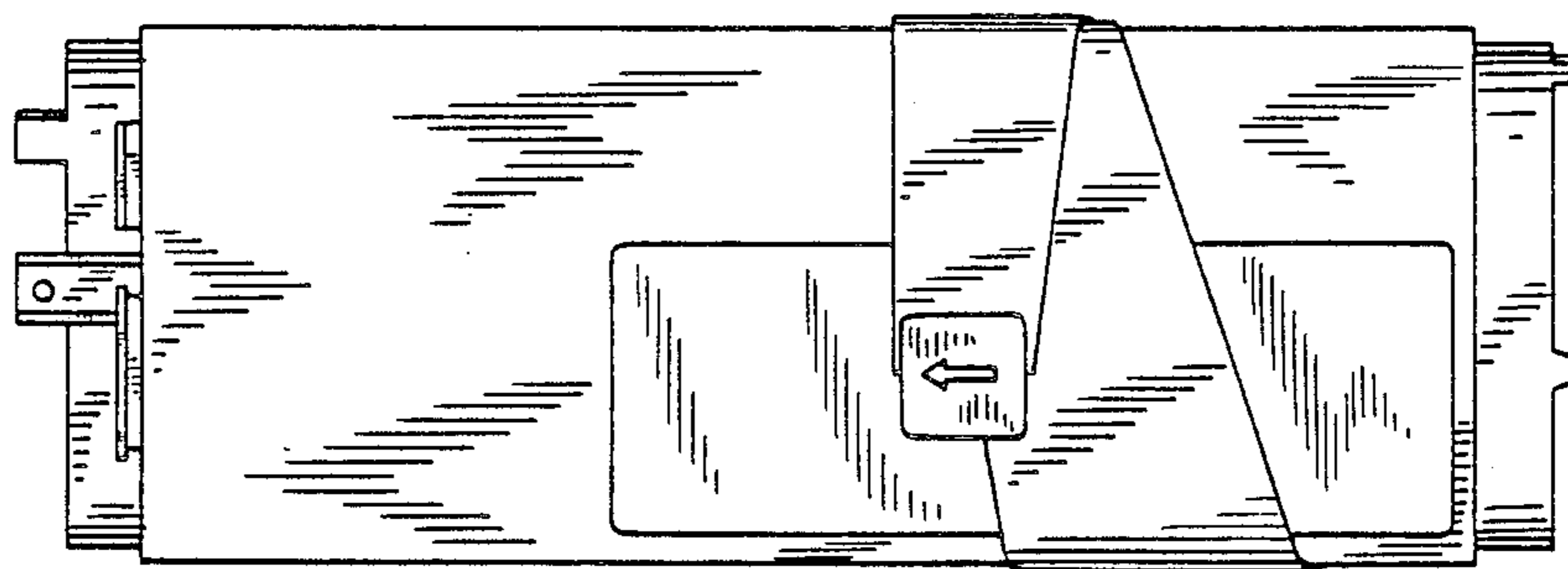


FIG. 5

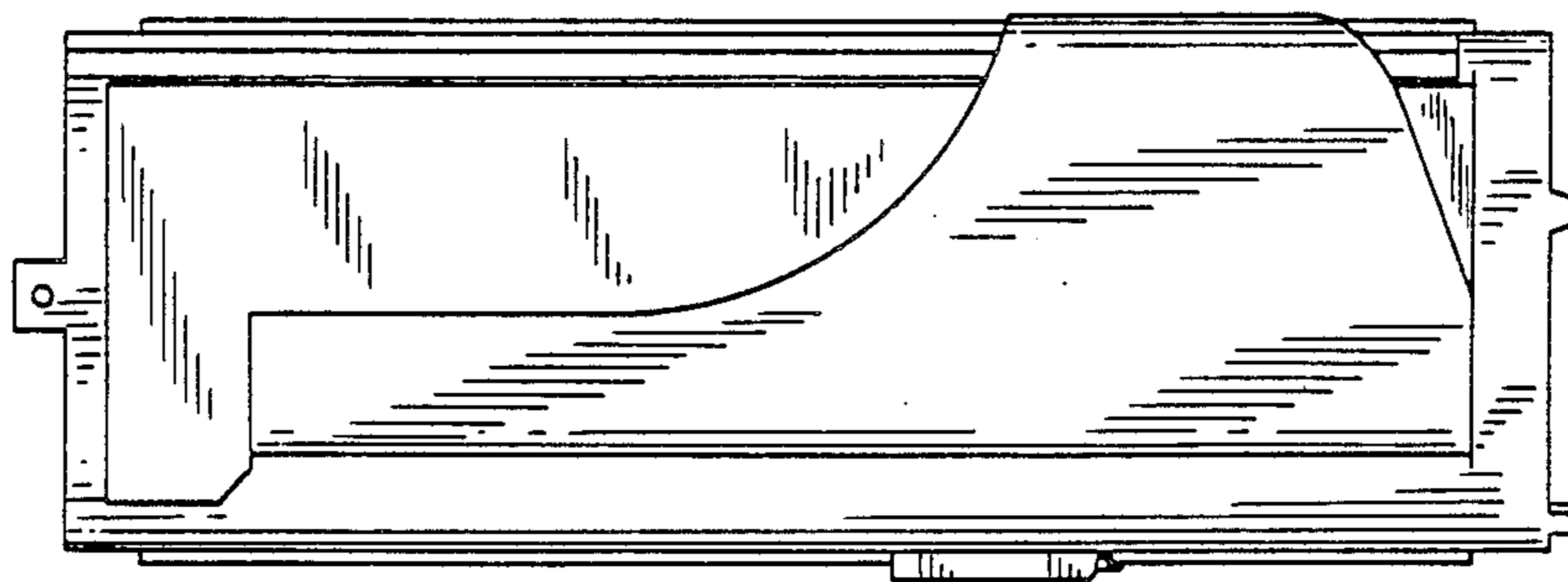


FIG. 6

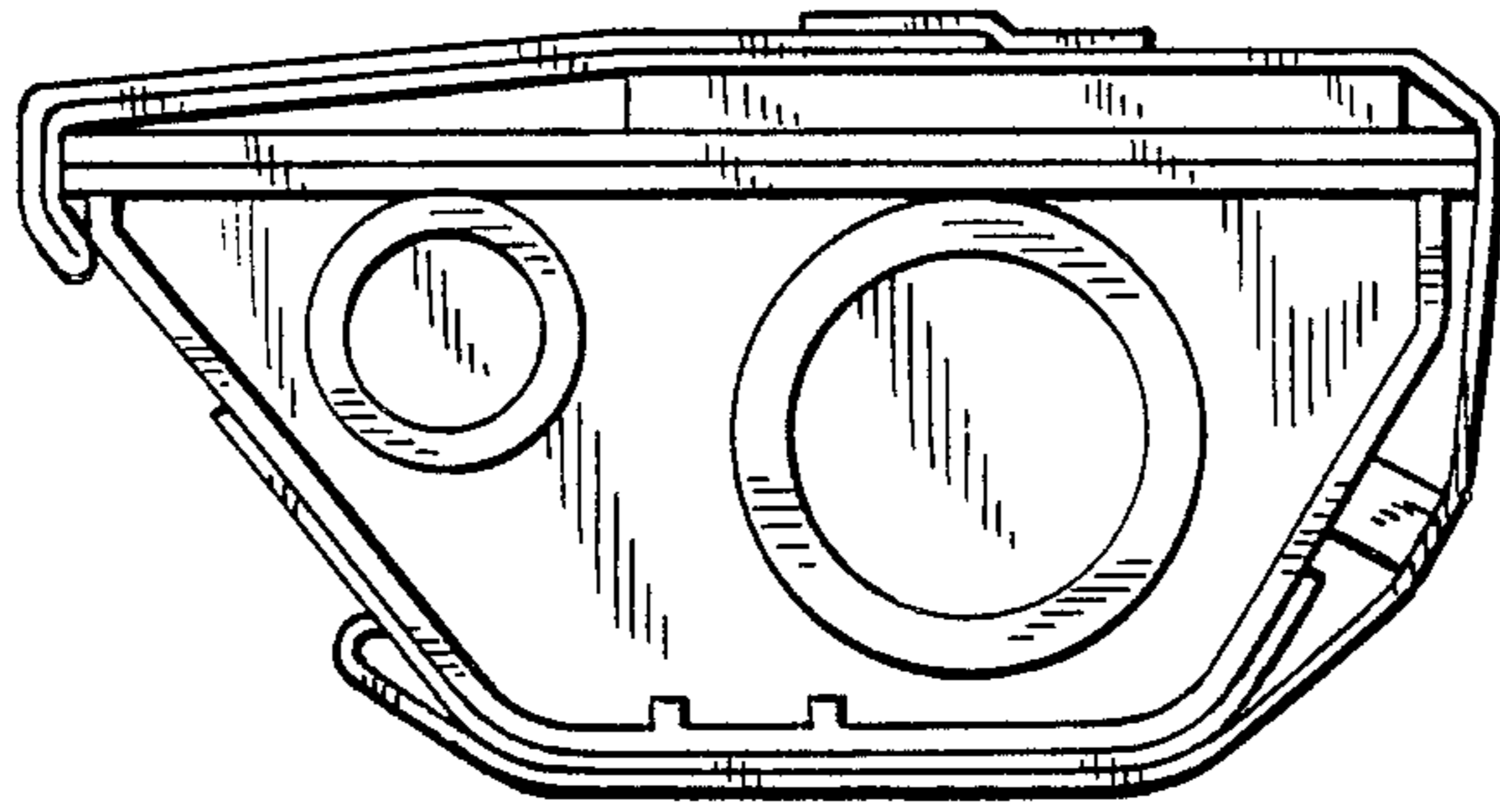


FIG. 7

