

# United States Patent [19]

Komada et al.

[11] Patent Number: **Des. 312,269**

[45] Date of Patent: **\*\* Nov. 20, 1990**

[54] **TONER CASE FOR COPYING MACHINE**

[75] Inventors: **Takeshi Komada; Satoe Nakajima,**  
both of Yokohama, Japan

[73] Assignee: **Canon Kabushiki Kaisha, Tokyo,**  
Japan

[\*\*] Term: **14 Years**

[21] Appl. No.: **221,178**

[22] Filed: **Jul. 19, 1988**

[30] **Foreign Application Priority Data**

Jan. 22, 1988 [JP] Japan ..... 63-2203

[52] U.S. Cl. .... **D18/43**

[58] Field of Search ..... D18/22, 43; D9/306,  
D9/373, 385, 390, 393, 399, 415, 418, 424, 425,  
432; 206/316, 446, 461, 474, 495, 532, 601, 628,  
631; 222/DIG. 1, 166, 325; 355/200, 245, 260

[56] **References Cited**

**U.S. PATENT DOCUMENTS**

D. 289,300 4/1987 Saito ..... D18/43

D. 298,257 10/1988 Masaki ..... D18/43  
D. 298,258 10/1988 Masaki ..... D18/43

**FOREIGN PATENT DOCUMENTS**

0138270 6/1986 Japan ..... 355/245

*Primary Examiner*—Nelson C. Holtje

*Assistant Examiner*—Caron D. Veynar

*Attorney, Agent, or Firm*—Fitzpatrick, Cella, Harper & Scinto

[57] **CLAIM**

The ornamental design for a toner case for copying machine, as shown and described.

**DESCRIPTION**

FIG. 1 is a front elevational view of a toner case for copying machine showing our new design;  
FIG. 2 is a rear elevational view thereof;  
FIG. 3 is a top plan view thereof;  
FIG. 4 is a bottom plan view thereof;  
FIG. 5 is a left side elevational view thereof; and  
FIG. 6 is a right side elevational view thereof;  
FIG. 7 is a left, front perspective view thereof.

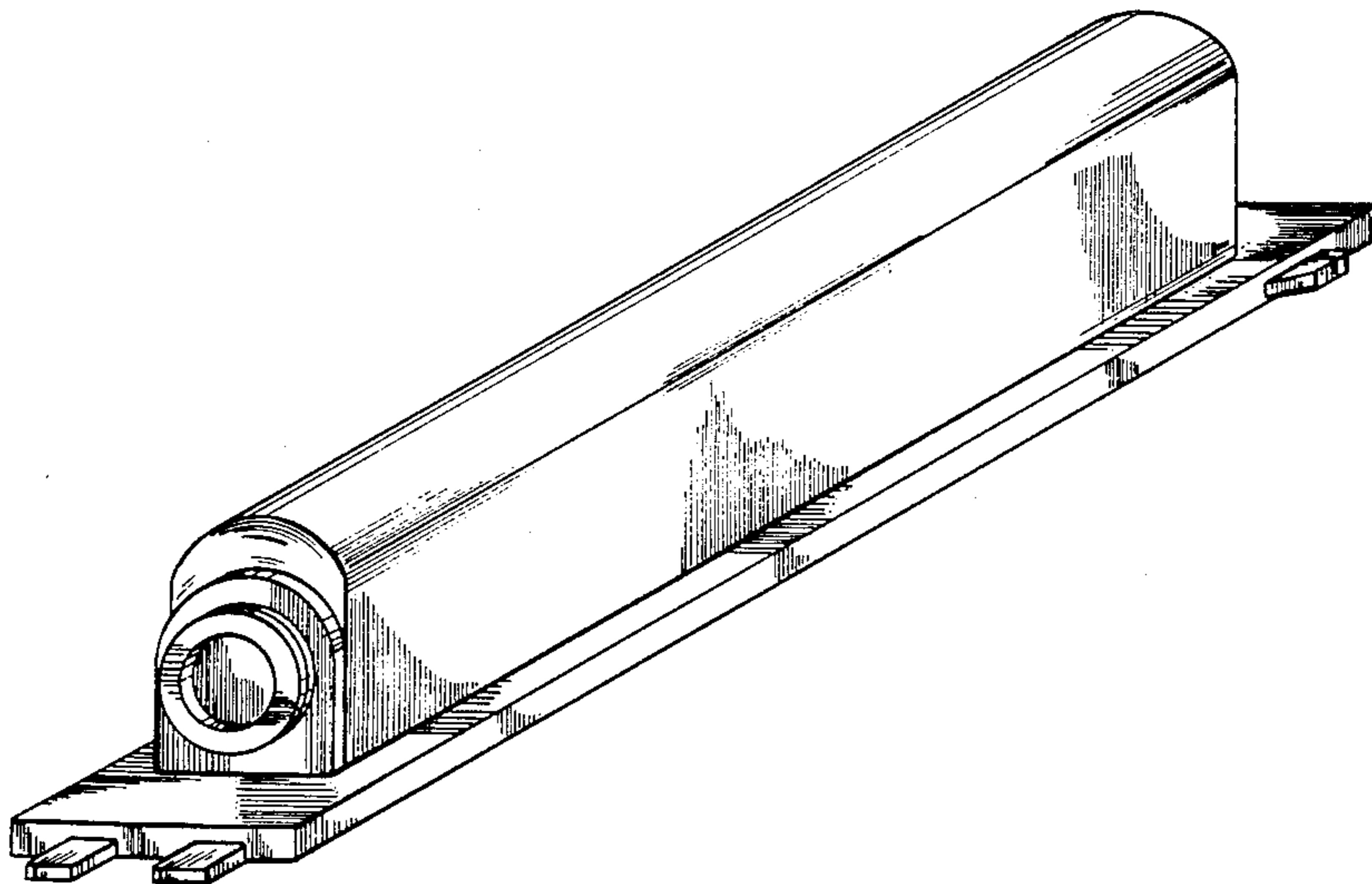


FIG. 1

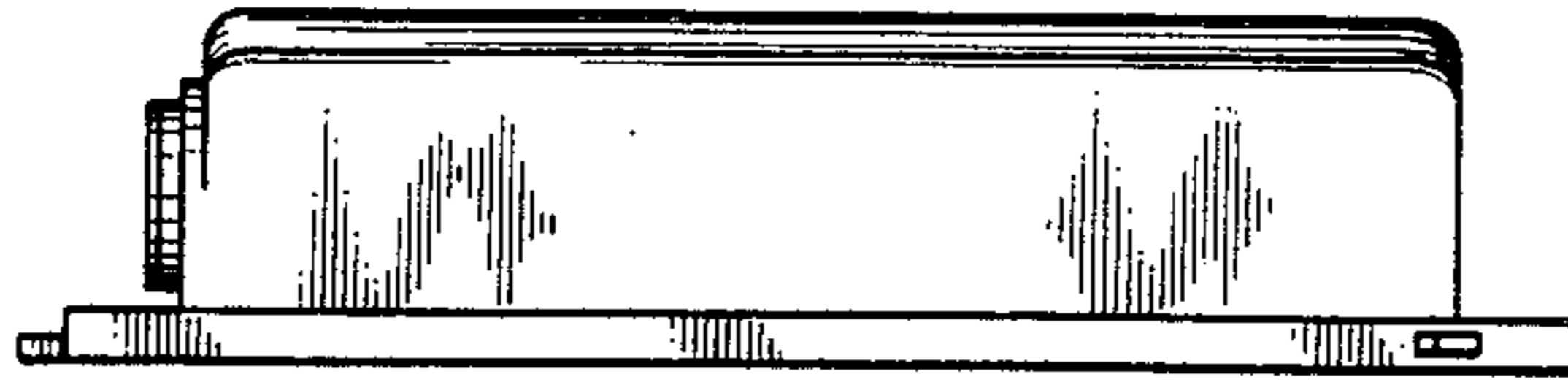


FIG. 2

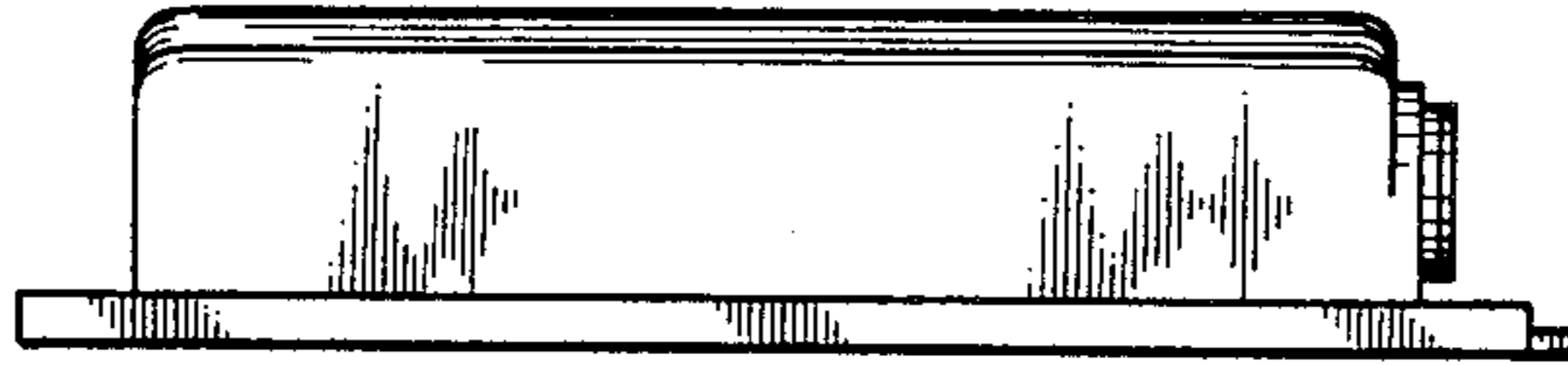


FIG. 3

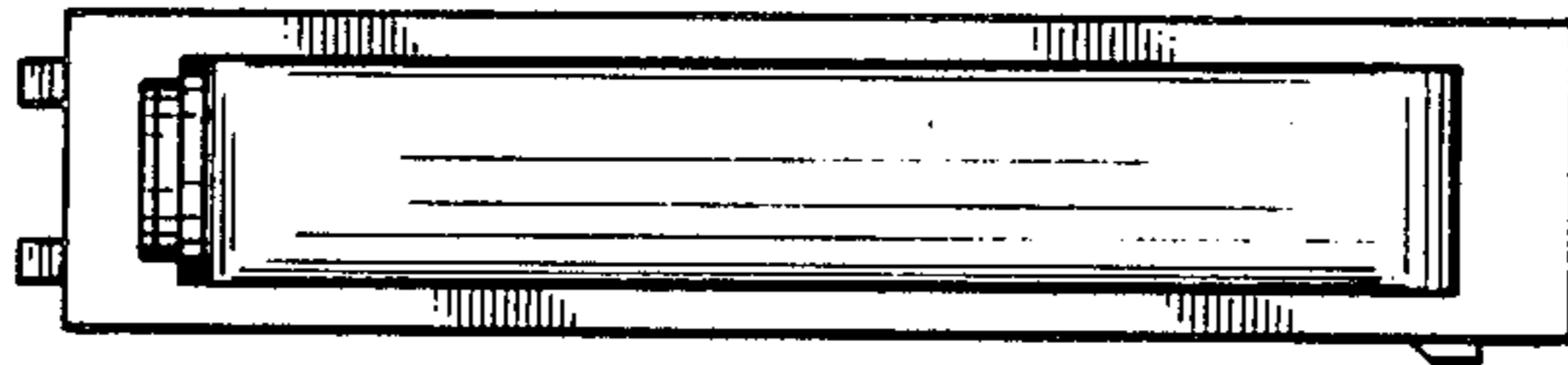


FIG. 4

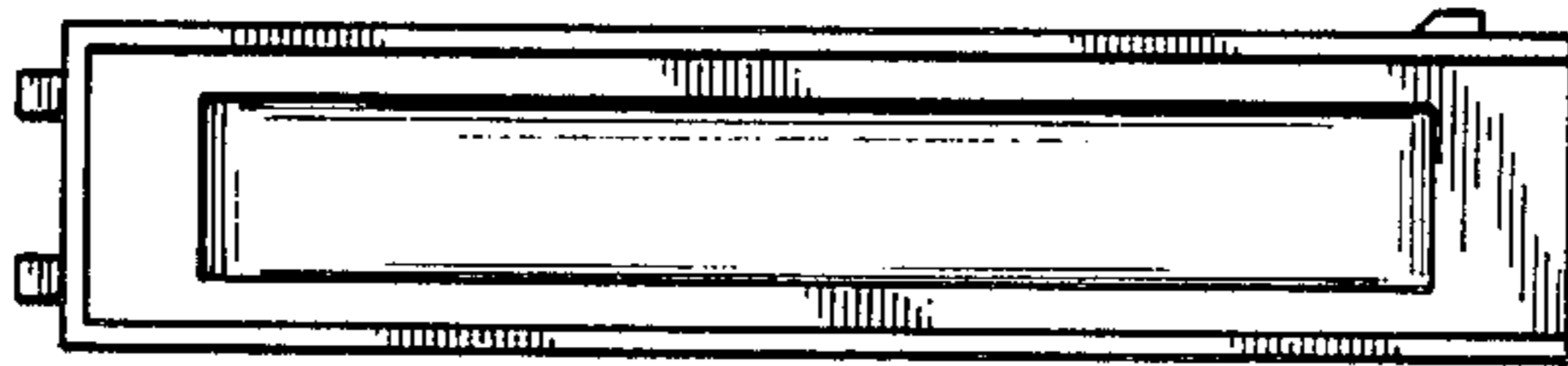


FIG. 5

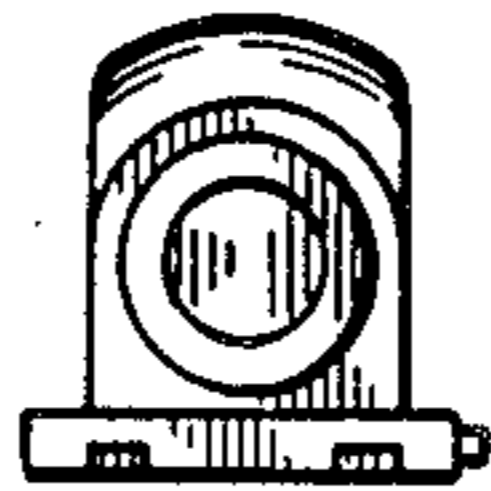
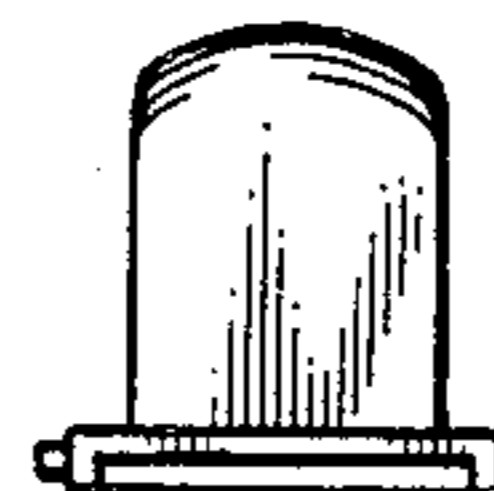


FIG. 6



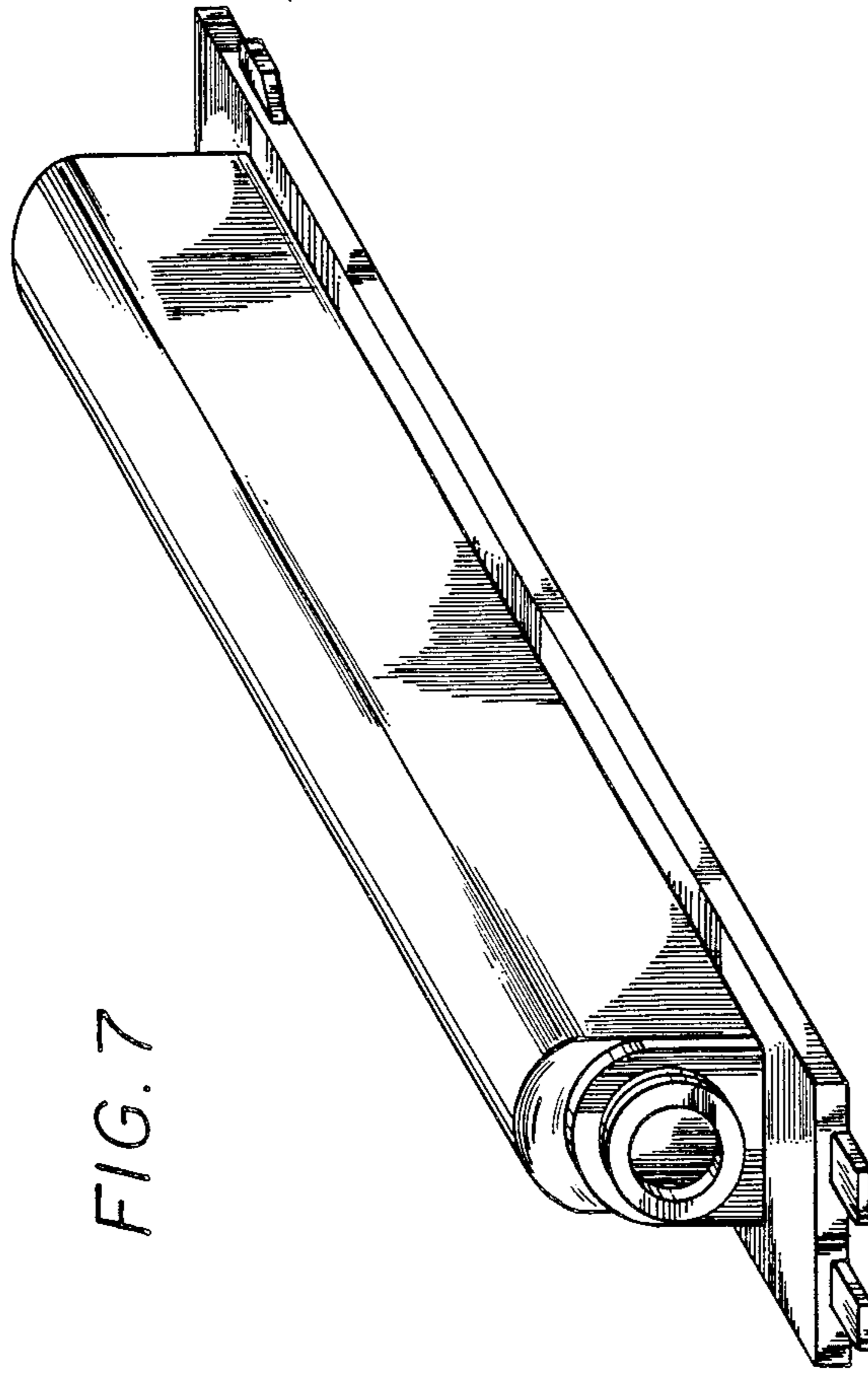


FIG. 7