

[54] **BUCKET FOR A HARVESTING MACHINE**

[76] **Inventor: Desmond C. Burke, 4 Willandra Court, Mildura, 3500, Victoria, Australia**

[**] **Term: 14 Years**

[21] **Appl. No.: 216,699**

[22] **Filed: Jul. 5, 1988**

[30] **Foreign Application Priority Data**

Jan. 5, 1988 [AU] Australia 0017/88
[52] **U.S. Cl. D15/32**
[58] **Field of Search D15/22, 23, 24, 25, D15/26, 28, 29, 32; 37/118 R, 103; 198/701, 706**

[56] **References Cited**

U.S. PATENT DOCUMENTS

D. 144,738 5/1946 Simmonds D15/32
3,056,219 10/1962 Jeffrey 37/118 R
3,941,262 3/1976 Moser et al. 37/118 R
4,200,184 4/1980 Tripoteau 198/701
4,859,130 8/1989 Langenfeld et al. 37/118 R

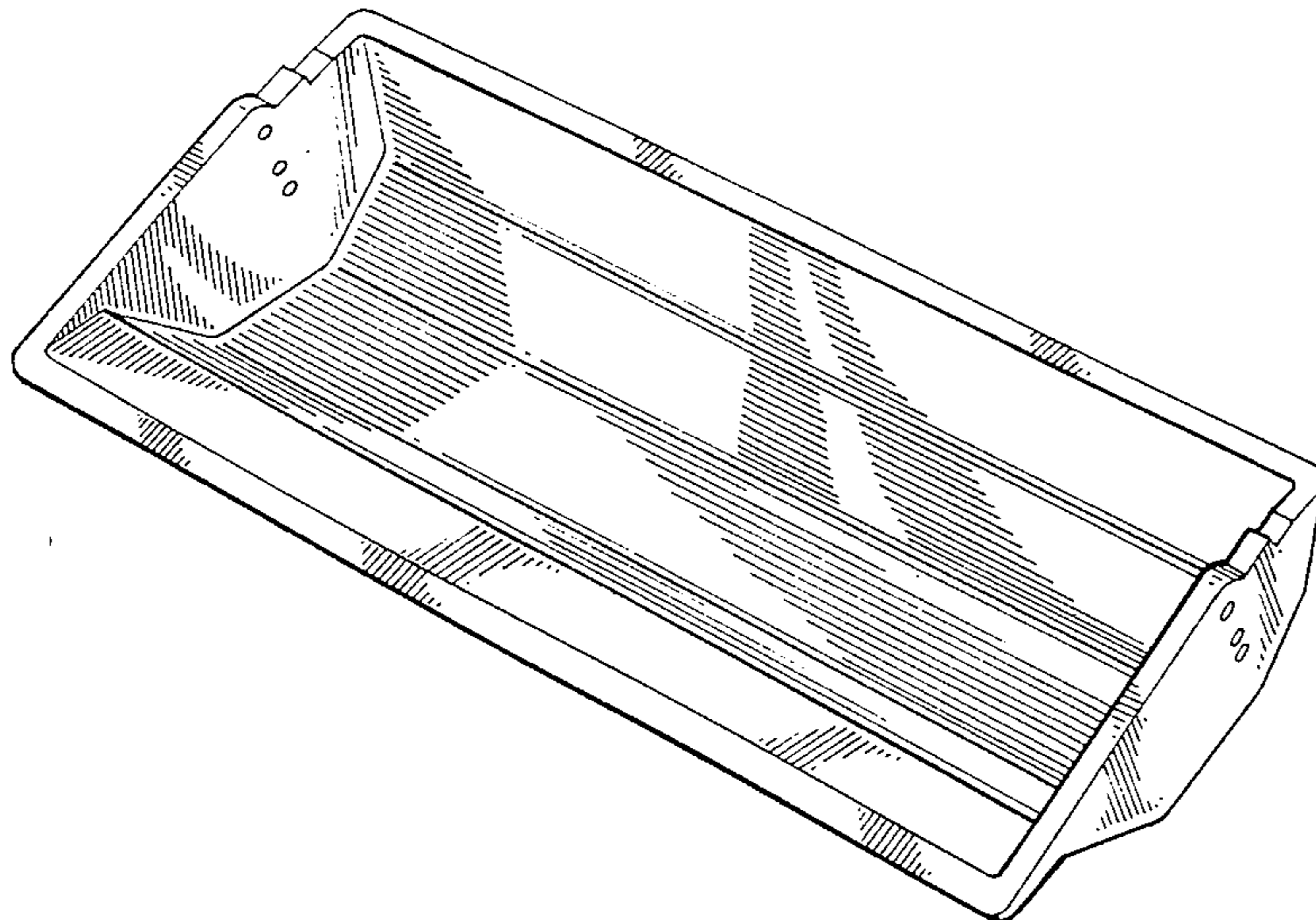
Primary Examiner—B. J. Bullock
Assistant Examiner—Sandra Morris

[57] **CLAIM**

The ornamental design for a bucket for a harvesting machine, as shown and described.

DESCRIPTION

FIG. 1 is a perspective view of a bucket for a harvesting machine showing my new design;
FIG. 2 is a side elevational view thereof, the other side being a mirror image thereof;
FIG. 3 is a top plan view thereof; and
FIG. 4 is a bottom plan view thereof.



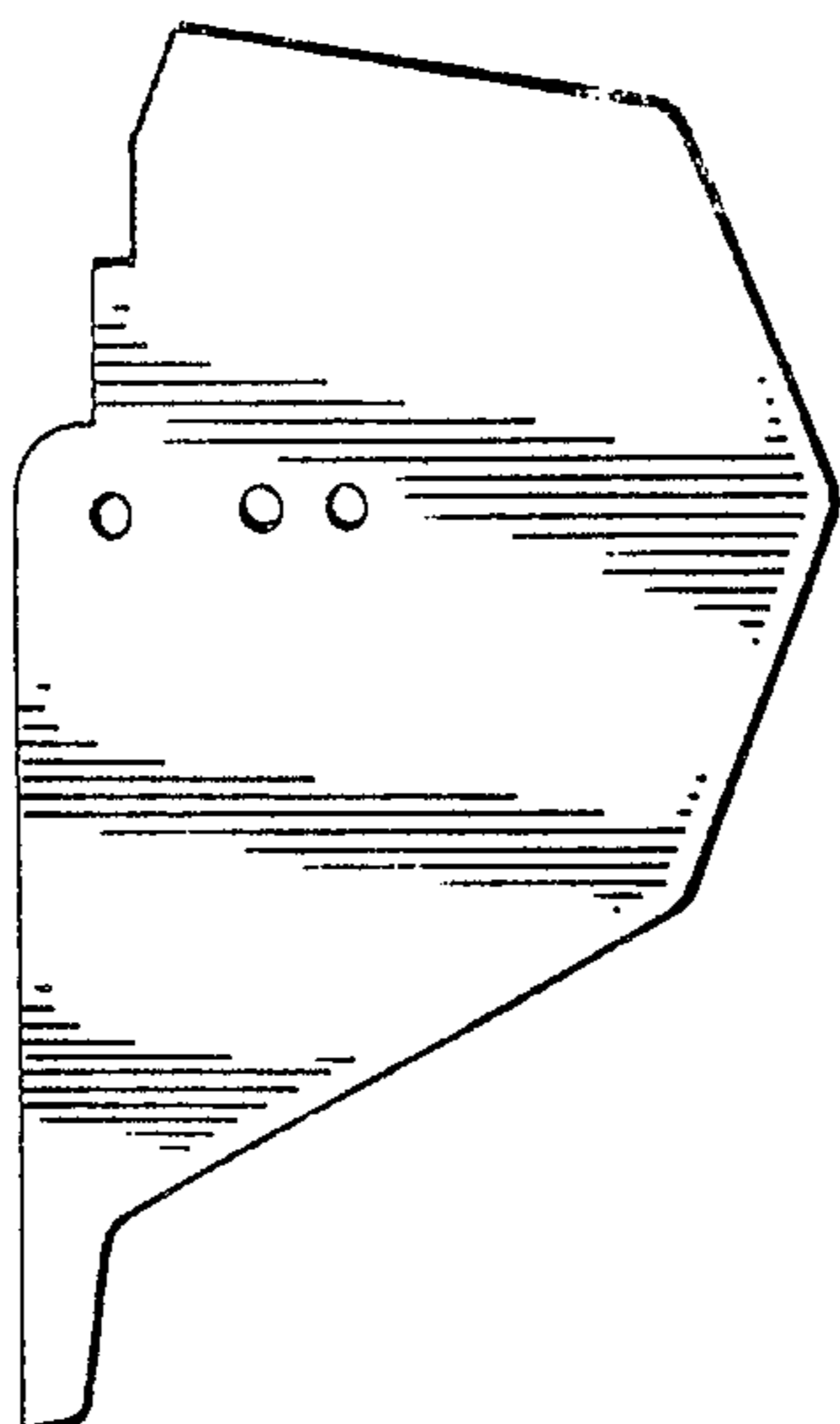


FIGURE 2

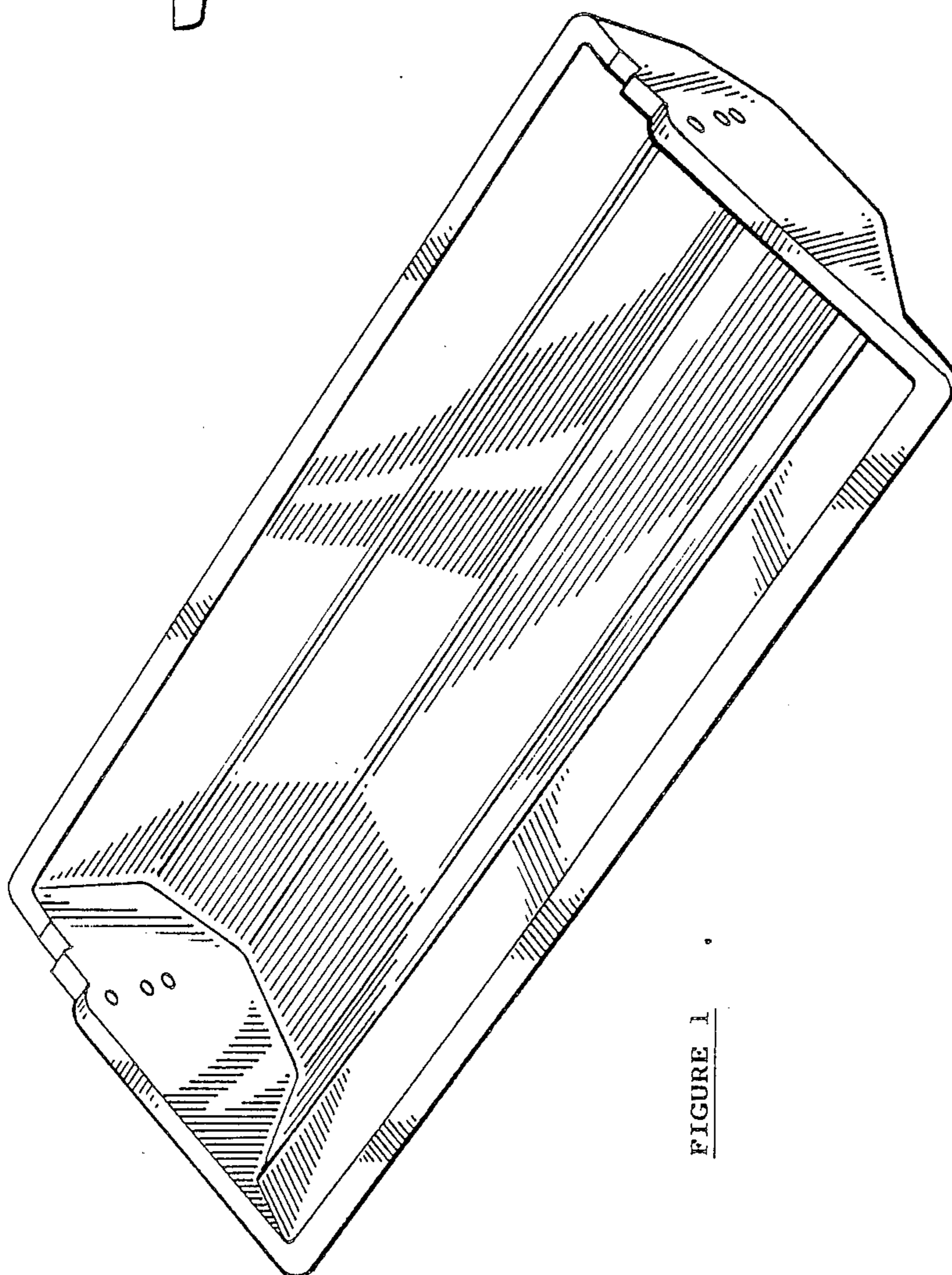


FIGURE 1

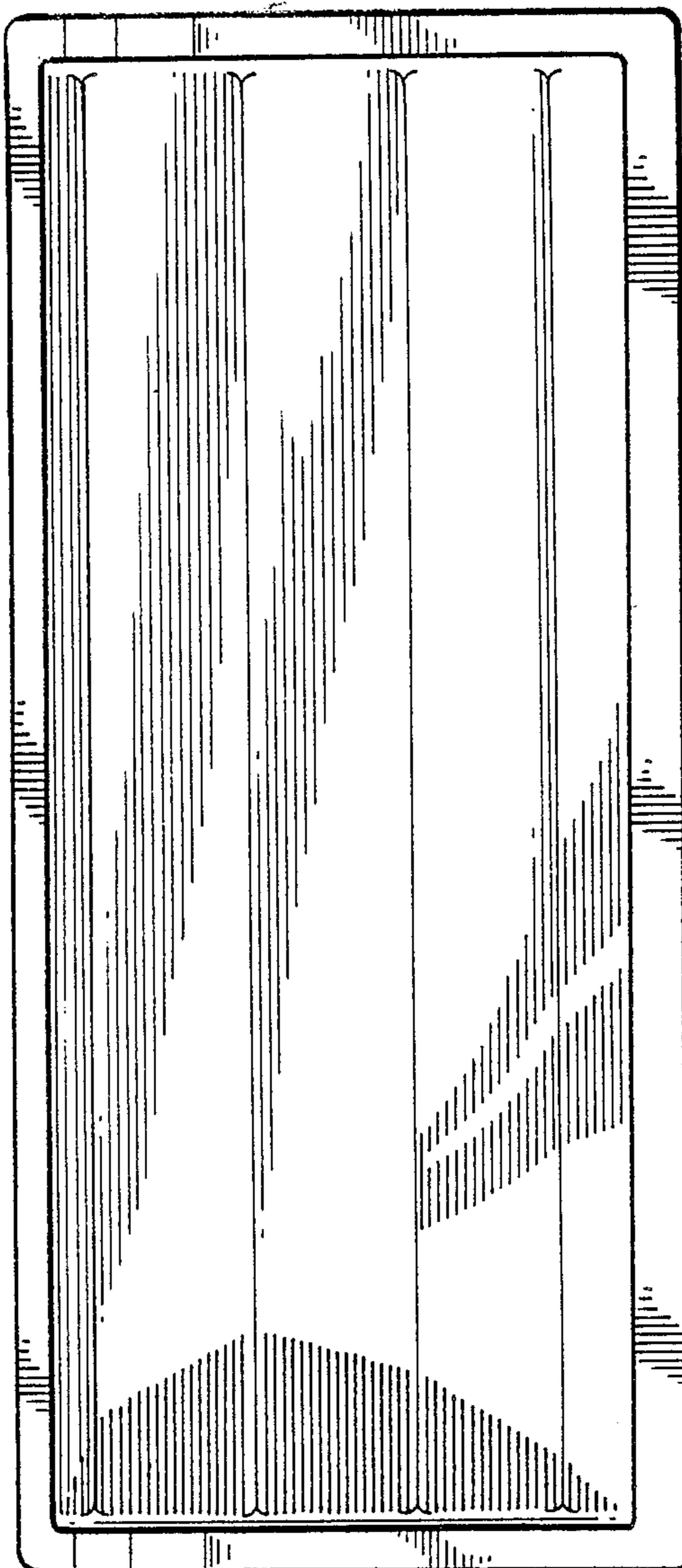


FIGURE 3

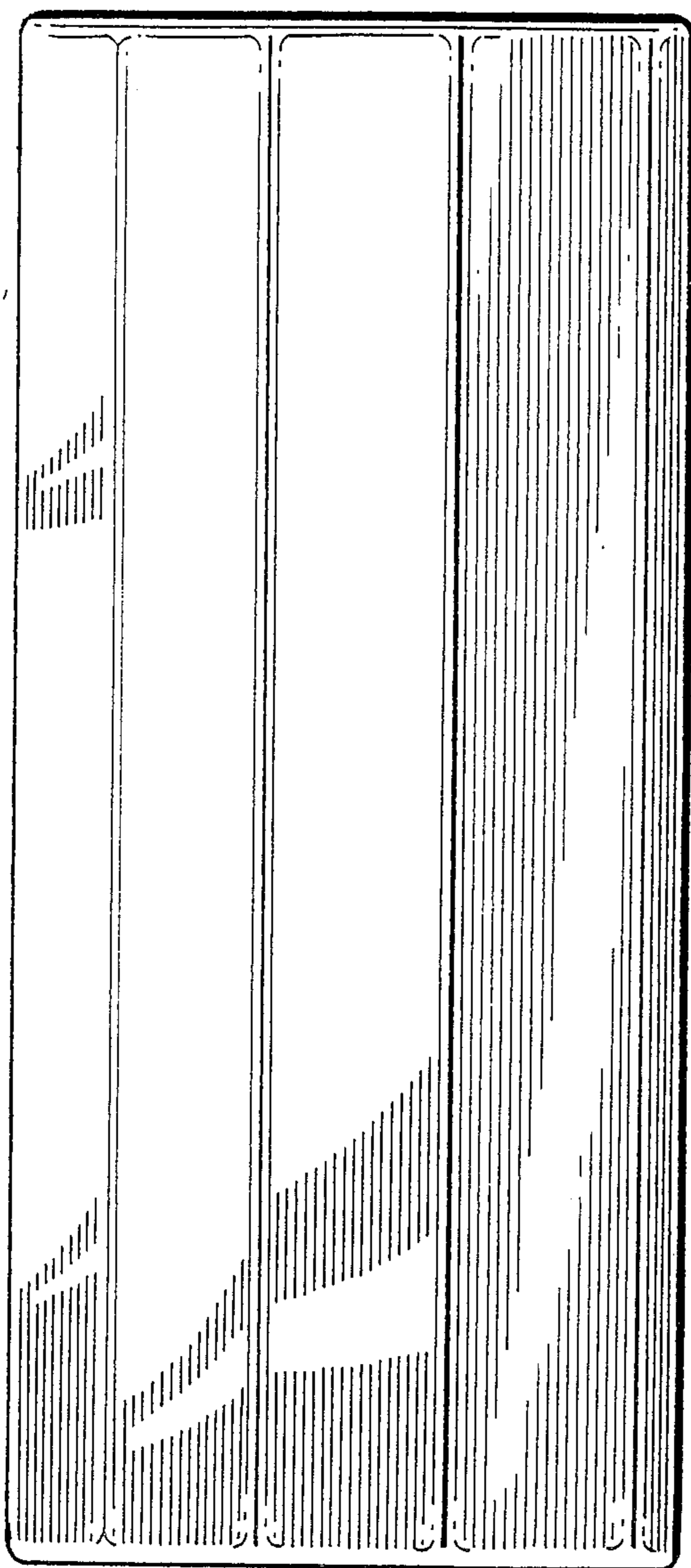


FIGURE 4